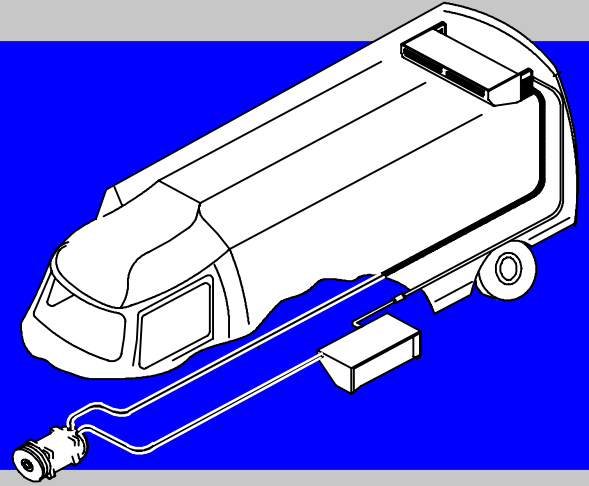
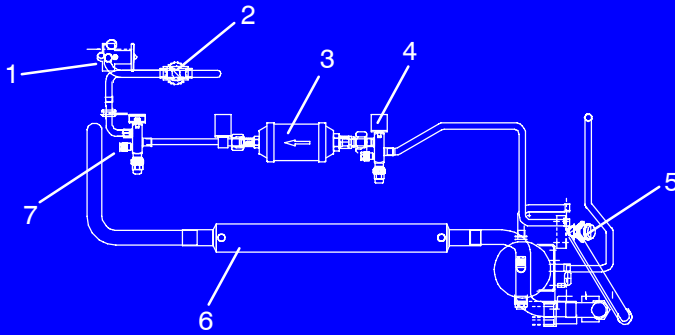




Transport Air Conditioning



SERVICE PARTS LIST for **SPLIT SYSTEMS**



TRANSICOLD

Service Parts List Transport Air Conditioning Unit

Model

**EM-1 through EM-30, (Gen 1 thru Gen 5)
IW-1, IW-2, IW-7, & IW-14 Evaporators
CM-2 through CM-14,
K310 & KR2, 3, & 4 Condensers
Power Packs & Auxiliary Generators and
Engine Mounted Compressors**

TABLE OF CONTENTS

INTRODUCTION	ix
ORDERING INSTRUCTIONS	ix
GENERAL NOTES	ix
SECTION 1 - EVAPORATORS	1
SECTION 1.1 EM-1 EVAPORATORS	1
1.1.1 EVAPORATOR, EM-1, GEN I, FREE BLOW	1
1.1.2 PLENUM FOR EVAPORATORS EM-1 AND 2, GEN I	2
1.1.3 SIDE MOUNT EVAPORATOR, EM-1 & 2, GEN I	3
1.1.4 EVAPORATOR, EM-1, GEN 2, FREE BLOW	4
1.1.5 PLENUM FOR EVAPORATORS - EM-1 & 2, GEN 2	5
1.1.6 SIDE MOUNT EVAPORATOR, EM-1 & 2, GEN 2	6
1.1.7 EVAPORATOR, EM-1, GEN 3, FREE BLOW	7
1.1.8 EVAPORATOR, EM-1, GEN 4, FREE BLOW	8
1.1.9 SIDE MOUNT EVAPORATOR, EM-1 & 2, GEN 3 & GEN 4	10
1.1.10 PLENUM & GRILL BOX FOR EVAPORATORS EM-1 & 2, GEN I AND GEN 4	11
1.1.11 EVAPORATOR, EM-1, GEN-V, FREE BLOW, REAR MOUNT	12
1.1.12 INSTALLATION COMPONENTS, EM-1, GEN V, REAR MOUNT	15
1.1.13 EVAPORATOR, EM-1, GEN-V, FREE BLOW, SIDE MOUNT	16
1.1.14 INSTALLATION COMPONENTS, EM-1, GEN-V, SIDE MOUNT	20
SECTION 1.2 EM-2 EVAPORATORS	22
1.2.1 EVAPORATOR, EM-2, GEN 1, FREE BLOW	22
1.2.2 EVAPORATOR, EM-2, GEN 2, FREE BLOW	23
1.2.3 EVAPORATOR, EM-2, GEN 3, FREE BLOW	24
1.2.4 EVAPORATOR, EM-2, GEN 4, FREE BLOW	25
1.2.5 EVAPORATOR, EM-2, REAR MOUNT, GEN V	26
1.2.6 INSTALLATION COMPONENTS, EM-2, GEN V, REAR MOUNT	29
1.2.7 EVAPORATOR, EM-2, GEN V, SIDE MOUNT	30
1.2.8 INSTALLATION COMPONENTS, EM-2, GEN-V, SIDE MOUNT	34
SECTION 1.3 EM-3 EVAPORATORS	36
1.3.1 EVAPORATOR, EM-3, GEN-1, FREE BLOW	36
1.3.2 EVAPORATOR, EM-3, GEN-2 FREE BLOW	37
1.3.3 PLENUM & GRILL BOX FOR EVAPORATOR EM-3, GEN 2	38
1.3.4 EVAPORATOR, EM-3, GEN 2, DUCTED	39
1.3.5 EVAPORATOR, EM-3, GEN-3, FREE BLOW	40
1.3.6 EVAPORATOR, EM-3, GEN 3 & GEN 4, DUCTED, WITH PLENUM OR GRILL BOX	41
1.3.7 EVAPORATOR, EM-3, GEN 4, FREE BLOW	42
1.3.8 EVAPORATOR, EM-3, GEN-5, REAR MOUNT	44
SECTION 1.4 EM-6 EVAPORATORS	47
1.4.1 EVAPORATOR, EM-6, GEN-2, FREE BLOW	47
1.4.2 EVAPORATOR, EM-6, GEN 2, SIDE MOUNT, FREE BLOW	48
1.4.3 EVAPORATOR, EM-6, GEN-3, FREE BLOW	49
1.4.4 EVAPORATOR, EM-6, GEN 3 & GEN 4, SIDE MOUNT, FREE BLOW	50
1.4.5 EVAPORATOR, EM-6, GEN 4, FREE BLOW	51

TABLE OF CONTENTS

SECTION 1.5 EM-7 EVAPORATORS	52
1.5.1 EVAPORATOR, EM-7, GEN V, REAR MOUNT	52
1.5.2 INSTALLATION COMPONENTS, EM-7, GEN V, REAR MOUNT	55
1.5.3 EVAPORATOR, EM-7, GEN V, SIDE MOUNT	56
1.5.4 INSTALLATION COMPONENTS, EM-7, GEN-V, SIDE MOUNT	60
SECTION 1.6 EM-8 EVAPORATOR	62
1.6.1 EVAPORATOR, EM-8, GEN 1, DUCTED	62
1.6.2 EVAPORATOR, EM-8 & 9, GEN 1, SIDE MOUNT, DUCTED	63
SECTION 1.7 EM-9 EVAPORATORS	64
1.7.1 EVAPORATOR, EM-9, GEN 1, DUCTED	64
1.7.2 EVAPORATOR, EM-9, GEN 2, DUCTED	65
1.7.3 EVAPORATOR, EM-9, GEN 4, SIDE MOUNT, DUCTED	66
SECTION 1.8 EM-10 EVAPORATORS	70
1.8.1 EVAPORATOR, EM-10, STD & NAT MODELS	70
SECTION 1.9 EM-14 EVAPORATORS	71
1.9.1 EVAPORATOR, EM-14, GEN 1, FREE BLOW	71
1.9.2 EVAPORATOR, EM-14, GEN 2, FREE BLOW	72
1.9.3 EVAPORATOR, EM-14, GEN 3, FREE BLOW	73
1.9.4 EVAPORATOR, EM-14, GEN 4 SERIES, FREE BLOW	74
1.9.5 EVAPORATOR, EM-14, GEN 4, SIDE MOUNT	76
SECTION 1.10 EM-17 EVAPORATORS	78
1.10.1 EVAPORATOR, EM-17, SINGLE LOOP, GEN 4 SERIES	78
1.10.2 EVAPORATOR, EM-17, DUAL LOOP, GEN 4 SERIES	79
SECTION 1.11 EM-20 EVAPORATORS	80
1.11.1 EVAPORATOR, EM-20, HEAT/COOL, DUCTED	80
SECTION 1.12 EM-21 EVAPORATORS	81
1.12.1 EVAPORATOR, EM-21, HEAT/COOL, FREE BLOW OR DUCTED	81
SECTION 1.13 EM-22 EVAPORATORS	82
1.13.1 EVAPORATOR, EM-22, HEAT/COOL, FREE BLOW OR DUCTED	82
1.13.1 EVAPORATOR, EM-22, HEAT/COOL, FREE BLOW OR DUCTED - Continued:	83
1.13.2 EVAPORATOR, EM-22, HEAT/COOL, (MODEL 77-62079-00 THRU -05)	84
1.13.3 EVAPORATOR, EM-22, HEAT/COOL, PLENUM ASSEMBLY, (MODEL 77-62079-01)	87
1.13.4 EVAPORATOR, EM-22, HEAT/COOL, PLENUM ASSEMBLY, (MODEL 77-62079-02)	87
1.13.5 EVAPORATOR, EM-22, HEAT/COOL, PLENUM ASSEMBLY, (MODEL 77-62079-03)	87
1.13.6 EVAPORATOR KIT, EM-23, HEAT/COOL (77-62725-00)	88
SECTION 1.14 EM-30 EVAPORATORS	89
1.14.1 EVAPORATOR, EM-30	89
SECTION 1.15 IW-1 IN-WALL EVAPORATORS	90
1.15.1 EVAPORATOR, IW-1, (77-62081-11)	90
1.15.2 EVAPORATOR, IW-1, (77-62160-00)	94
1.15.3 EVAPORATOR, IW-1 (77-62160-01)	96
1.15.4 EVAPORATOR, IW-1 (77-62160-02)	96
1.15.5 EVAPORATOR, IW-1 (77-62160-03)	96
1.15.6 EVAPORATOR, IW-1 (77-62160-04 & -06)	97
1.15.7 EVAPORATOR, IW-1 (77-62160-05 & -07)	98

TABLE OF CONTENTS

1.16	IW-2 IN-WALL EVAPORATORS	108
1.16.1	EVAPORATOR, IW-2 - 77-62134-00 & -01	108
1.16.2	EVAPORATOR, IW-2, 77-62134-02	110
1.16.3	EVAPORATOR, IW-2, TBB SRW (77-62167-02)	111
1.16.4	COVER ASSEMBLY, EVAPORATOR, IW-2 (79-62098-00 THRU 79-62098-03)	112
1.17	IW-7 IN-WALL EVAPORATORS	114
1.17.1	EVAPORATOR, IW-7 (77-62131-00)	114
1.18	IW-14 IN-WALL EVAPORATORS	116
1.18.1	EVAPORATOR, IW-14, (77-62080-00)	116
SECTION 2	- CONDENSERS	119
SECTION 2.1	CM-2 CONDENSERS	119
2.1.1	CONDENSER, CM-2, GEN 1 AND GEN 2	119
2.1.2	CONDENSER, CM-2, GEN 3	120
2.1.3	CONDENSER, CM-2, GEN 4	121
SECTION 2.2	CM-3 CONDENSERS	122
2.2.1	CONDENSER, CM-3, GEN 1 & GEN 2	122
2.2.2	CONDENSER, CM-3, GEN 3	123
2.2.3	CONDENSER, CM-3, GEN 4	124
2.2.4	CONDENSER, STACKED, CM2/3	125
SECTION 2.3	CM-4 CONDENSER	126
2.3.1	CONDENSER, CM-4	126
SECTION 2.4	CM-5 CONDENSER	128
2.4.1	CONDENSER, CM-5	128
2.4.2	LIQUID LINE ASSEMBLY, CM-5, CM-14, & C4RE, (REMOTE)	130
SECTION 2.5	CM-6 CONDENSER	132
2.5.1	CONDENSER, CM-6	132
SECTION 2.6	CM-7 CONDENSER	133
2.6.1	CONDENSER, CM-7, ROOF-TOP MOUNTED	133
SECTION 2.7	CM-8 CONDENSER	134
2.7.1	CONDENSER, CM-8	134
SECTION 2.8	CM-9 CONDENSER	135
2.8.1	CONDENSER, CM-9	135
SECTION 2.9	CM-11 CONDENSER	136
2.9.1	CONDENSER, CM-11, ROOF-TOP MOUNTED	136
SECTION 2.10	CM-13 CONDENSER	137
2.10.1	CONDENSER, CM-13	137
SECTION 2.11	CM-14 CONDENSER SERIES	138
2.11.1	CONDENSER, CM-14 STANDARD MODEL (77-62083-02, -04, -08 & -09)	138
2.11.2	CONDENSER, CM-14, GRILL, STANDARD MODEL, (77-62083-02 & -04)	140
2.11.2	CONDENSER, CM-14, GRILL, CHASSIS MOUNTED - (77-62083-08 & -09)	141
2.11.3	CONDENSER, CM-14 C4RE MODEL (77-62083-00)	142
2.11.3	CONDENSER, CM-14 C4RE, CHECK VALVE & TUBE ASSEMBLY	143
2.11.3	CONDENSER, CM-14 C4RE, DISCHARGE VALVE ASSEMBLY (BB)	144
2.11.3	CONDENSER, CM-14 C4RE, SUCTION VALVE ASSEMBLY (BB)	144
2.11.3	CONDENSER, CM-14 C4RE LOW AMBIENT THERMOSTAT SWITCH & BRACKET	144
2.11.4	CONDENSER, CM-15 (77-62175-00)	145

TABLE OF CONTENTS

SECTION 2.12 CONDENSER, K-310	146
2.12.1 CONDENSER, K-310, DUAL LOOP	146
2.12.2 CONDENSER, K-310, SINGLE LOOP	148
2.12.3 CONDENSER, 68KR4-100 SERIES, DUAL LOOP	150
SECTION 2.13 CONDENSER, 68KR4-101 SERIES	151
INTRODUCTION	151
CONFIGURATION IDENTIFICATION	151
OPTION DESCRIPTION	151
Skins Kit	151
Refrigeration Kit	151
Electrical Kit	151
Frame Kit	151
2.13.1 CONDENSER, 68KR4-101 SERIES, DECAL KIT	152
2.13.2 CONDENSER, 68KR4-101 SERIES, SKINS KIT - OPTION 1 & 2	153
2.13.3 CONDENSER, 68KR4-101 SERIES, REFRIGERATION KIT, DUAL LOOP - OPTION 1	154
2.13.4 CONDENSER, 68KR4-101 SERIES, REFRIGERANT KIT, SINGLE LOOP - OPTION 2	158
2.13.5 CONDENSER, 68KR4-101 SERIES, ELECTRICAL KIT - OPTION 1, 2, 3 & 4	160
2.13.6 CONDENSER, 68KR4-101 SERIES, FRAME KIT, DUAL LOOP - OPTION 1	162
2.13.7 CONDENSER, 68KR4-101 SERIES, FRAME KIT, SINGLE LOOP - OPTION 2	163
SECTION 2.14 CONDENSER, 68KR2/3-101 SERIES	164
INTRODUCTION	164
CONFIGURATION IDENTIFICATION	164
OPTION DESCRIPTION	164
Cover Kit	164
Electrical Kit	164
SECTION 2.15 CONDENSER, 68KR3-101 SERIES	165
2.15.1 CONDENSER, 68KR3-101 SERIES - FRAME KIT	165
2.15.2 CONDENSER, 68KR3-101 SERIES - FRAME KIT WITH FEED-THRU PLATE	166
2.15.3 CONDENSER, 68KR3-101 SERIES - COVER KIT - 77-62171-01, -03, -04 & -06	167
2.15.4 CONDENSER, 68KR3-101 SERIES - ELECTRICAL KITS - (77-62172-01, -03, -05, -07)	168
2.15.5 CONDENSER, 68KR3-101 SERIES - PACKAGE KITS - 77-62172-01 & -03	169
2.15.6 CONDENSER, 68KR3-101 SERIES - PACKAGE KIT - 77-62173-05	169
2.15.7 CONDENSER, 68KR3-101 SERIES - PACKAGE KIT - 77-62173-06	169
2.15.8 CONDENSER, 68KR3-101 SERIES - PACKAGE KIT - 77-62173-07	169
SECTION 2.16 CONDENSER, 68KR2-101 SERIES	170
2.16.1 CONDENSER, 68KR2-101 SERIES - FRAME KIT	170
2.16.2 CONDENSER, 68KR2-101 SERIES - FRAME KIT WITH FEED-THRU PLATE	171
2.16.3 CONDENSER, 68KR2-101 SERIES - COVER KIT - 77-62171-00, -02 & -05	172
2.16.4 CONDENSER, 68KR2-101 SERIES - ELECTRICAL KIT - 77-62172-00, -02, -04 & -06	173
2.16.5 CONDENSER, 68KR2-101 SERIES - PACKAGE KIT - 77-62173-00 & -02	174
2.16.6 CONDENSER, 68KR2-101 SERIES - PACKAGE KIT - 77-62173-04	174
2.16.7 WINTERGUARD KITS - KR2/3 - (76-62269-00 & -01)	175
2.17 BRUSH GUARD, CONDENSER, KR2/3 AND CM-7/11	176
2.18 FEED-THROUGH PLATE ASSEMBLIES - ROOFTOPS	176

TABLE OF CONTENTS

SECTION 3 - POWER PACKS & AUXILIARY DRIVE MODULES	177
SECTION 3.1 AUXILIARY DRIVE MODULES	177
3.1.1 AUXILIARY DRIVE MODULE, (ADM)	177
SECTION 3.2 DIESEL & GAS POWER PACKS	178
3.2.1 DIESEL POWERPAK, CUMMINS DM-1 & DM-2	178
3.2.2 DIESEL POWERPAK, KUBOTA, DM-1 & DM-2	180
3.2.3 GAS POWERPAK, GM-1 & GM-2	182
SECTION 3.3 INSTALLATION ACCESSORIES	184
3.3.1 INSTALLATION PIECES, DM-1, DM-2, CUMMINS DIESEL	184
3.3.2 INSTALLATION PIECES, DM-1, DM-2, KUBOTA DIESEL	185
3.3.3 INSTALLATION PIECES, GM-1, GM-2, GAS	186
SECTION 4 - FITTINGS & HOSE	187
SECTION 4.1 FITTINGS	187
4.1.1 HOSE & FITTING - SIZE DETERMINATION	187
4.1.2 FITTINGS, FORD	188
4.1.3 FITTINGS, METRIC (CHEVROLET AND DODGE TIE-IN)	189
4.1.4 FITTING, BEADLOCK, WITH ACCESS VALVE	189
4.1.5 FITTING, A-6 COMPRESSOR, (GM STYLE)	190
4.1.6 FITTINGS - TM-31 & MISCELLANEOUS	191
4.1.7 FITTINGS, TEE	192
4.1.8 FITTING, SWIVEL UNIONS	192
4.1.9 FITTING, FLARE TO O-RING	192
4.1.10 FITTING, BEADLOCK, MALE INSERT O-RING	193
4.1.11 FITTING, BEADLOCK, BULKHEAD	193
4.1.12 FITTING, TUBE-O, R12 AND R134a	193
4.1.13 FITTING, ADAPTER AND CAP	194
4.1.14 FITTING, BEADLOCK, FEMALE O-RING	194
4.1.15 FITTING, BEADLOCK, MALE O-RING	195
4.1.16 FITTING, BEADLOCK, FLARE	195
4.1.17 FITTING, BEADLOCK, SPLICERS, STRAIGHT	196
4.1.18 FITTING, BEADLOCK, SPLICERS, OTHER	196
4.1.19 FITTING, QUICK-CLICK, FEMALE, O-RING	197
4.1.20 FITTING, QUICK-CLICK, MALE, O-RING	198
4.1.21 FITTING, QUICK-CLICK, FEMALE FLARE	199
4.1.22 FITTING, QUICK-CLICK, METRIC	199
4.1.23 FITTING, QUICK-CLICK, WITH ACCESS PORTS	200
4.1.24 FITTING, QUICK-CLICK, WITH ACCESS PORTS	200
4.1.25 FITTING, QUICK-CLICK, SPLICERS	201
4.1.26 FITTING, QUICK-CLICK, MALE INSERT O-RING	201
4.1.27 FITTING, QUICK-CLICK, 90, TXV, I.H.	201
4.1.28 FITTINGS - MISC.:	202
4.1.29 FITTINGS - RE-USABLE - #16 NEWCLIMA HOSE	202
4.1.30 "O"-RINGS, HNBR	203

TABLE OF CONTENTS

SECTION 4.2 COMPRESSOR FITTING KITS	204
4.2.1 INSTALLATION INSTRUCTIONS FOR COMPRESSORS WITH GM PORTS ON REAR	204
4.2.2 FITTING KITS - SANDEN, SELTEC OR A-6 COMPRESSORS KITS ENDING WITH D OR -01	204
4.2.3 FITTING KITS - SANDEN, SELTEC OR A-6 COMPRESSORS KITS ENDING WITH E OR -02	204
4.2.4 FITTING KITS - SANDEN, SELTEC OR A-6 COMPRESSORS KITS ENDING WITH F OR -03	205
4.2.5 FITTING KIT - SANDEN, SELTEC OR A-6 COMPRESSORS KITS ENDING WITH G OR -04	205
4.2.6 FITTING KITS - SANDEN, SELTEC OR A-6 COMPRESSORS KITS ENDING WITH H OR -05	205
4.2.7 FITTING KITS - SANDEN, SELTEC OR A-6 COMPRESSORS KITS ENDING WITH I OR -06	205
SECTION 4.3 REFRIGERANT HOSE AND CLAMPS	206
4.3.1 REFRIGERANT HOSE - BARRIER	206
4.3.2 FERRULES - (BARRIER TYPE HOSE CLAMPS)	206
4.3.3 REFRIGERANT HOSE - QUICK-CLICK	206
4.3.4 HOSE CLAMPS - QUICK-CLICK	206
4.3.5 REFRIGERANT HOSE, NEWCLIMA	207
4.3.6 REFRIGERANT HOSE ASSEMBLIES (NEWCLIMA) 58-62017	208
SECTION 5 - COMPRESSORS	213
5.1 SANDEN, SD-508, (R12)	214
5.2 SANDEN, SD-709, (R12)	214
5.3 SANDEN, SD-709, (R-134a)	214
5.4 SANDEN, SD-709 PARTS	214
5.5 SANDEN, SD-510, (R12)	214
5.6 SD-510 SANDEN PARTS	214
5.7 SANDEN, SD-7H15, (R134a)	214
5.8 SD-7H15 SANDEN PARTS	214
5.9 SELTEC, TM-15, (R12)	215
5.10 SELTEC, TM-15, (R134a)	215
5.11 SELTEC, TM-16, (R134a)	215
5.12 SELTEC, TM-21HX, (R134a)	215
5.13 SELTEC, TM-15/16 PARTS (Replaces DK-15 Diesel Kiki Parts)	215
5.14 SELTEC, TM-26, (R12)	216
5.15 SELTEC, TM-26, (R134a)	216
5.16 SELTEC, TM-26 PARTS	216
5.17 SELTEC, TM-31, (R134a)	216
5.18 SELTEC, TM-31 PARTS	216
5.19 ALMA, A-6, (R12)	217
5.20 ALMA, A-6, (R134a)	217
5.21 ALMA, A-6 PARTS	217
5.22 YORK COMPRESSORS & PARTS	217
5.23 SANDEN, SD7H15-SHD, (R134a)	218
5.24 FORD, (R12)	218
5.25 OIL - COMPRESSOR	218

TABLE OF CONTENTS

5.26	SUCTION LINE ACCUMULATOR KITS - COMMON PARTS (98-62790)	219
5.27	SUCTION LINE ACCUMULATOR KIT - SINGLE EVAPORATOR #12 HOSE (76-62258-00) ..	220
5.28	SUCTION LINE ACCUMULATOR KIT - DUAL EVAPORATOR #12 HOSE (76-62258-01)	220
5.29	SUCTION LINE ACCUMULATOR KIT - SINGLE EVAPORATOR #16 HOSE	221
5.30	SUCTION LINE ACCUMULATOR KIT - DUAL EVAPORATOR #16 & #12 HOSE	221
SECTION 6	- ELECTRICAL	223
6.1	FUSE AND FUSE HOLDERS	223
6.2	RELAY ASSEMBLIES	224
6.3	CONNECTOR ASSEMBLIES	224
6.4	RELAYS - SOLENOIDS	224
6.5	SWITCHES	225
6.6	SWITCH ASSEMBLIES - TEMPCON	225
6.7	SENSOR ASSEMBLY (KITS)	226
6.8	CIRCUIT BREAKER	226
6.9	PRESSURE SWITCHES	227
6.10	THERMOSTATS	227
6.11	DIODES-LIGHTS-RESISTORS	227
6.12	GAUGES-SENDERS	228
6.13	TERMINAL BOARDS	228
6.14	HARNESS, ELECTRICAL	229
6.15	CONNECTORS, ELECTRICAL	229
6.16	TIES, CABLE	229
6.17	KNOBS AND SWITCHPLATES	229
6.18	READING LIGHTS	229
6.19	FAN BLADES AND FAN ASSEMBLIES	230
6.20	MOTORS	230
6.21	BLOWER ASSEMBLIES	232
6.22	DRIVERS CONTROL PANEL (GEN 1 THROUGH GEN 4)	234
6.23	DRIVERS CONTROL PANEL GEN-5	235
6.24	DRIVERS CONTROL PANEL, (TOTAL CONTROL)	236
6.25	DRIVERS CONTROL PANEL, POWER PACKS	237
6.26	CONTROL PANEL - AC-340 THROUGH AC-866	238
6.27	CONTROL PANEL, STANDARD, GEN V	240
6.28	CONTROL PANEL, AC663	241
6.29	CONTROL PANEL, AC863, 12 VDC	242
6.30	CONTROL PANEL, AC863 - (2) CL	243
6.31	CONTROL PANEL, GSA	244
6.32	CONTROL PANEL, EM-3 GSA	245
6.33	CONTROL PANEL, AC553, 24VDC, GEN V	246
6.34	CONTROL PANEL, GSA TIE-IN	247
6.35	CONTROL PANEL, TOTAL CONTROL, GEN V (OPTIONAL)	248

TABLE OF CONTENTS

6.36	CONTROL PANEL, EM WITH CM, 12VDC, GEN V	249
6.37	CONTROL PANEL, EM WITH CM, 24VDC, GEN V	250
6.38	PANEL ASSEMBLY, TOTAL CONTROL, EM-3, GEN 4	252
6.39	CONTROL PANEL, EM-17 SPLIT, KR-4D, (24 VDC)	254
6.40	CONTROL PANEL, EM-17 & CM-5, (WITH HEAT)	256
6.41	CONTROL PANEL, EM-17 & CM-5	258
6.42	PANEL, CONTROL, 3-SPEED OPTION, (GEN 5)	260
6.43	PANEL ASSEMBLY, (GEN 5), EM-3, TOTAL CONTROL	262
6.44	PANEL ASSEMBLY, ELECTRICAL, EM-3 WITH (1) CM, 3-SPEED OPTION, (GEN 5)	264
6.45	CONTROL PANEL, GEN 5, TOTAL CONTROL	266
6.46	CONTROL PANEL, GEN 4, TOTAL CONTROL	268
6.47	PANEL ASSEMBLY, GEN 4, TOTAL CONTROL, EM-3 WITH (1) CM	270
6.48	CONTROL PANEL, EM-3, GEN V, VARIABLE SPEED	272
6.49	CONTROL PANEL, EM-3, GEN 5, THREE SPEED	273
6.50	CONTROL PANEL, THOMAS C2, (1) EM-1/2/7, (1) CM	274
6.51	CONTROL PANEL, THOMAS C2, (1) EM-1/2/7, (1) CM WITH DASH AIR	276
6.52	CONTROL PANEL, THOMAS C2, (1) EM-3, (1) CM-3	278
6.53	CONTROL PANEL, THOMAS C2, (1) EM-3, (1) CM-3	280
SECTION 7 - MOUNT KITS	281	
7.1	BUSHINGS - IDLERS - ECCENTRICS - FAN SPACERS	281
7.2	PULLEYS	282
7.3	HOSE, MISCELLANEOUS	283
7.4	CONDENSATE VALVE & DRAIN HOSE	283
7.5	INSULATION TUBE, (HEAT)	284
SECTION 8 - MISCELLANEOUS	285	
8.1	HOSECOVERS AND ACCESSORIES	285
8.2	HOSECOVERS - 2 PIECE DESIGN	286
8.3	HARDWARE KIT, EVAPORATOR MOUNTING TO CHANNELS, (REAR)	287
8.4	HARDWARE KIT, EVAPORATOR COVER MOUNTING, (REAR AND SIDE MOUNT)	287
8.5	CORNER DUCTING	288
8.6	LOUVERS	289
8.7	REFRIGERATION COMPONENTS	290
8.8	THERMAL EXPANSION VALVE, BLOCK	290
8.9	SIGHTGLASSES	291
8.10	DRIERS	291
8.11	PLASTIC FITTINGS	292
8.12	INSULATED CLAMPS	292
8.13	STAUFF CLAMPS	293
8.14	HOSE CLAMPS	293
8.15	MISCELLANEOUS CLAMPS	293

INTRODUCTION

This parts list identifies service replacement parts for Carrier Transport Air Conditioning Split System components. The air conditioning/heating system consists of a condenser module, evaporator module, electrical controls and engine compartment mounted compressor. To complete the system, the air conditioning and heating equipment interfaces with electrical cabling, engine cooling piping, duct work and other components.

Information is supplied throughout the manual in sections outlining the major components. These sections include; the Evaporator Section, Condenser Section, Power Packs & Auxiliary Drive Modules Section, Fitting & Hose Section, Compressor Section, Electrical Section, Mount Kit Section and Miscellaneous Section. Each section is divided to provide information on various sizes of equipment and where required, various generations of design. Identification of the various size equipment is identified by model designation while generation of design is identified by serial number.

ORDERING INSTRUCTIONS

All orders and inquiries for parts must include: Unit Serial Number, Part No., description of part as shown on list and quantity required. Address all correspondence for parts to the following address or Fax number:

MAIL : CARRIER TRANSCOLD DIVISION
Replacement Components Group, TR-20
P.O. Box 4805
Syracuse, NY 13221
PHONE 800-255-7382
FAX: 315- 432-3778

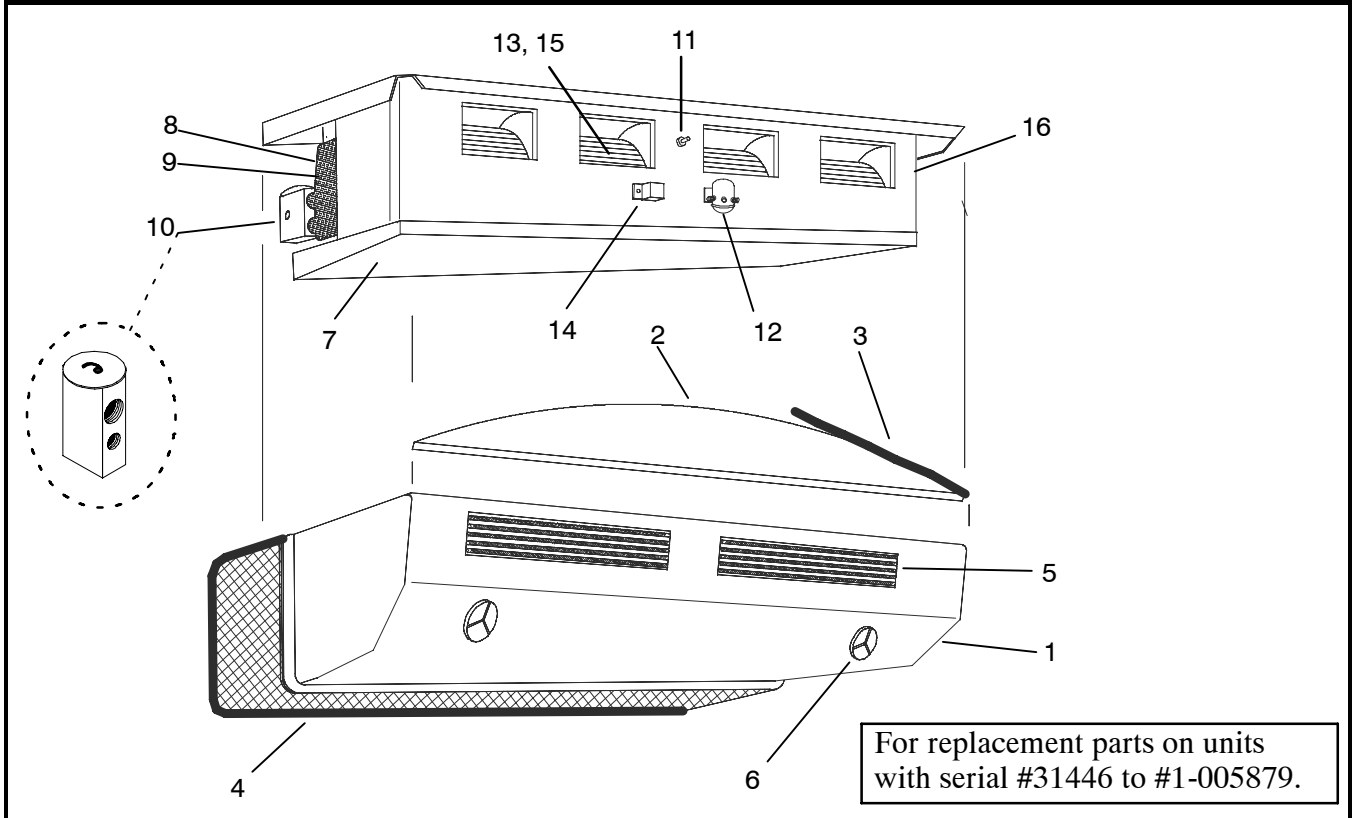
GENERAL NOTES

1. This catalog contains those items most commonly required for replacement purposes. If parts other than those cataloged are required, please provide the model number and serial number of the unit on which the parts are to be used and a complete description including references to items which are cataloged.
2. The replacement parts listed in this catalog are RCG "Factory-Authorized Parts" and, as a result of "standardization," may not be identical to the original part furnished on the equipment.
3. The following letter designations are used to classify parts throughout this list:
 - A/R = As Required,
 - H/C = Heat/Cool,
 - N/A = Not Available
 - N/S = Not Shown On Illustration
 - NSS = Not Sold Separately,
 - REF = For Reference Only

SECTION 1 - EVAPORATORS

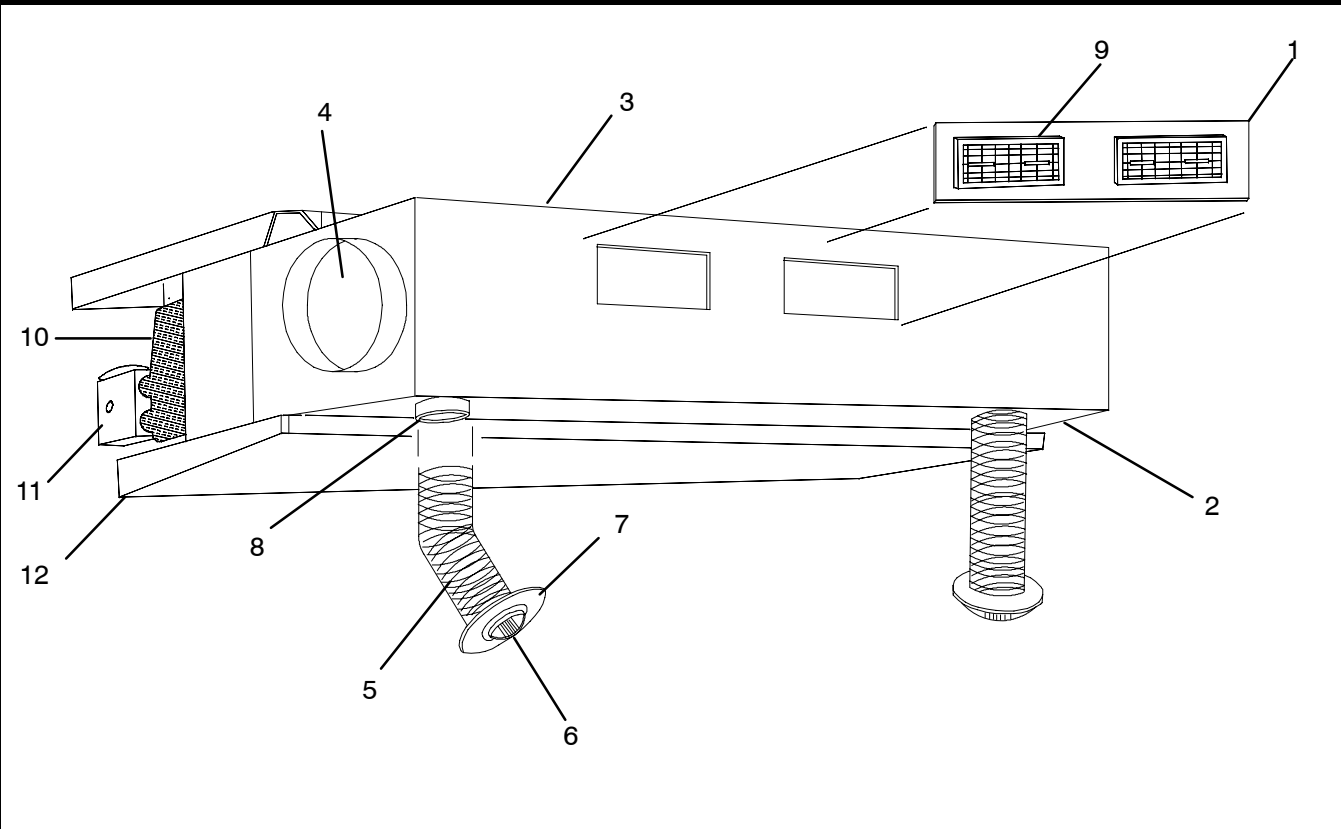
SECTION 1.1 EM-1 EVAPORATORS

1.1.1 EVAPORATOR, EM-1, GEN I, FREE BLOW



Item	Part Number	Description	Qty
1	N/A	Cover, Evaporator, Beige, (AC020-057)	1
	N/A	Cover, Evaporator, White, (AC020-145)	
2	AC020-005-1	Trim Strip, (White)	1
3	AC801-404	Trim, Flexible X FT.	4
4	AC020-012	Screen, Air Inlet	1
5	AC020-013	Grill, Air Outlet	2
6	58-01379-00	Louver, 2 1/4 inch Ball	2
7	AC020-040	Drain Pan Assembly, (Standard)	1
	AC020-215	Drain Pan Assembly, Molded, (Optional)	
8	AC021-113	Coil Assembly	1
9	AC020-003	Coil Assembly, Heat (Optional)	1
10	AC101-100	Thermal Expansion Valve (TXV)	1
11	AC201-501	Thermostat, Coil Insert (Optional)	1
12	AC201-800	Solenoid, High Speed, 12 Volt	1
	AC201-803	Solenoid, High Speed, 24 Volt	
13	AC201-600	Diode, In-Line, 6 Amp	1
14	AC201-806	Relay, 12 Volt, Medium Speed	1
	AC201-807	Relay, 24 Volt, Medium Speed	
15	AC401-200A	Blower Assembly, Dual, 12 Volt	1
	AC401-201	Blower Assembly, Dual, 24 Volt	
16	AC801-405	Filter, Metal, (8 X 35 3/8 inches)	1

1.1.2 PLENUM FOR EVAPORATORS EM-1 AND 2, GEN I

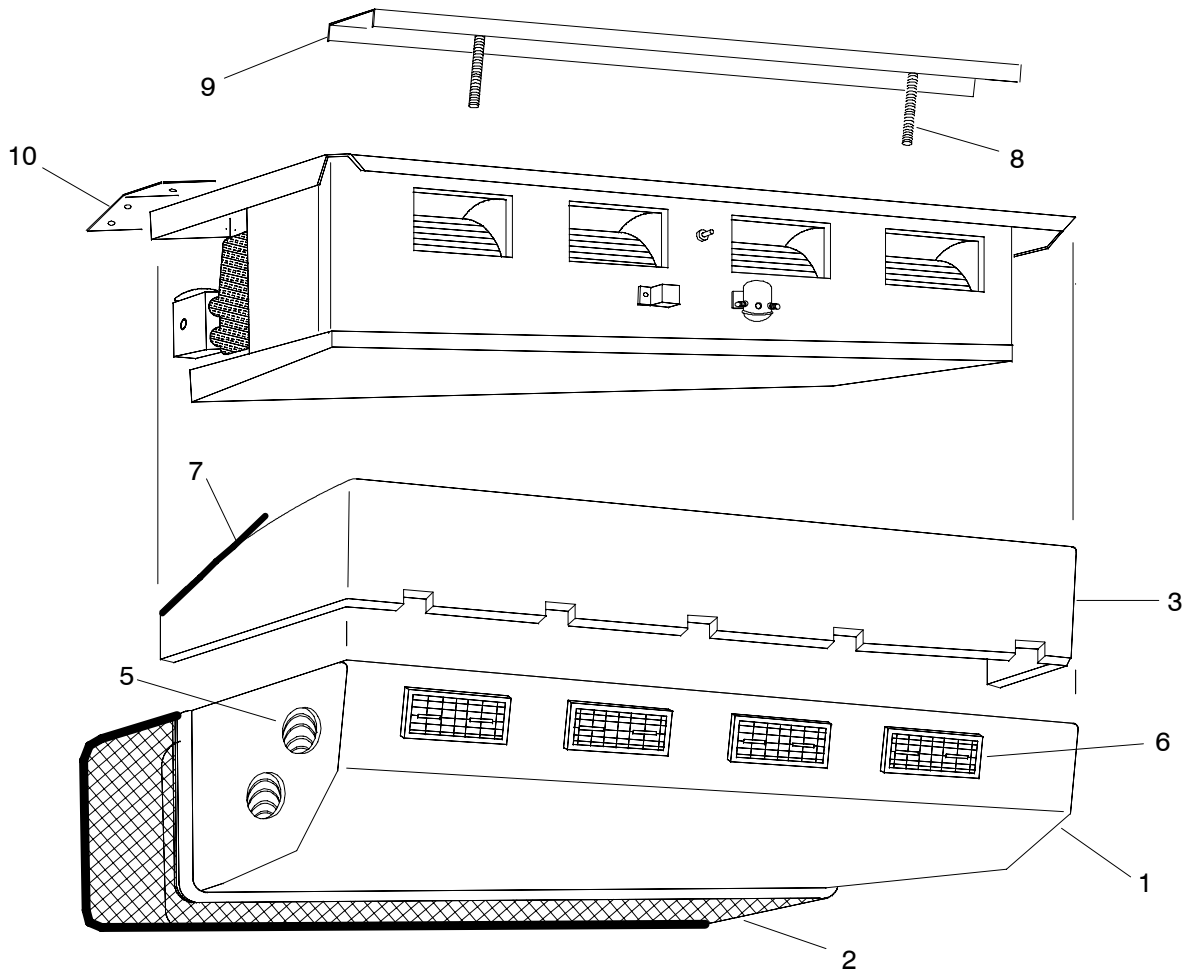


For replacement parts on EM-1 with serial #31446 to #1-1005879

For replacement parts on EM-2 with serial #31514 to #2-203386

Item	Part Number	Description	Qty
1	AC011-026	Plate, Louver, Black	1
2	AC020-075	Bottom Panel, Plenum	1
3	AC020-089	Weldment, Plenum	1
4	AC020-079	Block-Off Plate, Plenum	2
5	AC301-205	Hose, Flexible Duct, 2-1/2 Inch x Foot	3
6	AC401-305	Louver, Ball, 2-1/2 Inch	2
7	AC401-306	Ring, Mounting, 4 Inch OD, Black	2
8	AC401-307	Adapter, Hose, 2-1/2 Inch	2
9	AC401-308	Louver, With Bezel Assembly (3.0 X 7.0 Inches)	2
10	AC021-113	Assembly, Coil	1
11	AC101-100	Thermal Expansion Valve	1
12	AC020-040	Assembly, Drain Pan	1

1.1.3 SIDE MOUNT EVAPORATOR, EM-1 & 2, GEN I

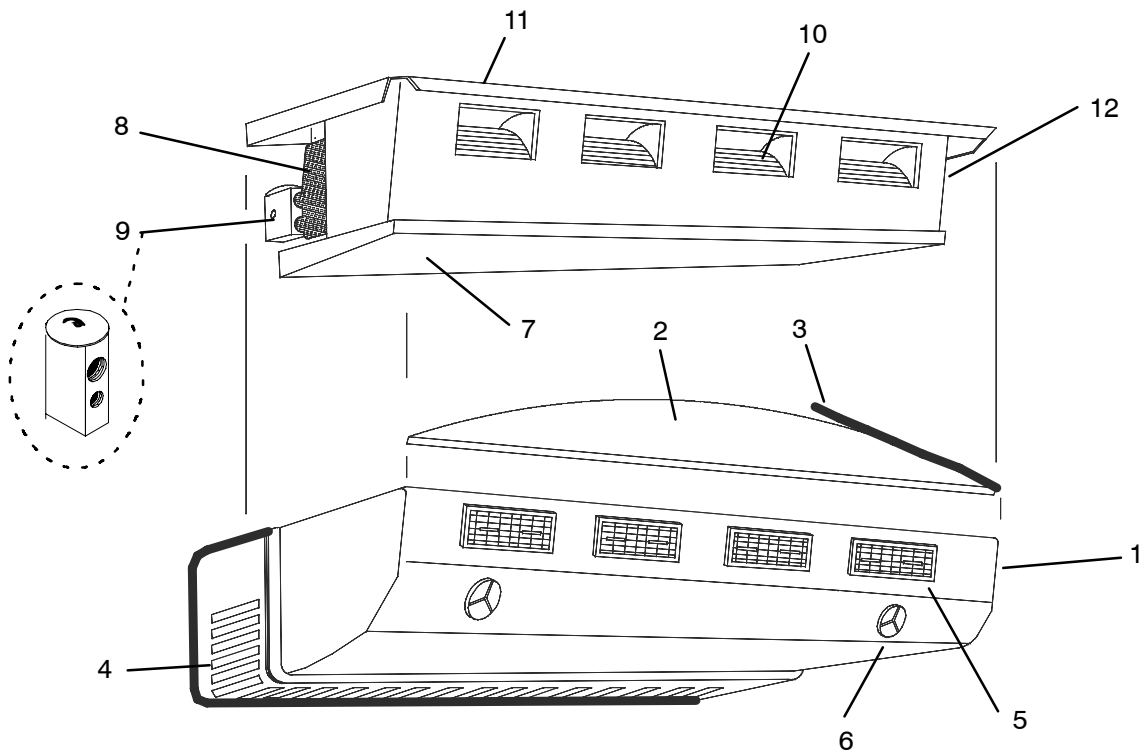


For replacement parts on EM-1 with serial #31446 to #1-005879

For replacement parts on EM-2 with serial #31514 to #2-203386

Item	Part Number	Description	Qty
1	N/A	Cover Assembly, Side Mount, Beige, (AC020-187)	1
2	AC020-176	Screen, Air Inlet	1
3	AC020-177	Trim Strip, Side Mount	1
4	AC020-179P	Angle, Screen Support, Painted	2
5	AC401-301	Grill, Air Outlet, Side, (3 Inch)	4
6	AC401-308	Louver Assembly, (3 Inch X 7 Inch)	4
7	AC801-415	Trim, Flexible, Black, X Foot	6
8	AC020-171P	Rod, Hanger Adjuster, Painted	2
9	AC020-174	Hanger, Front	1
10	AC020-172	Hanger, Rear	1

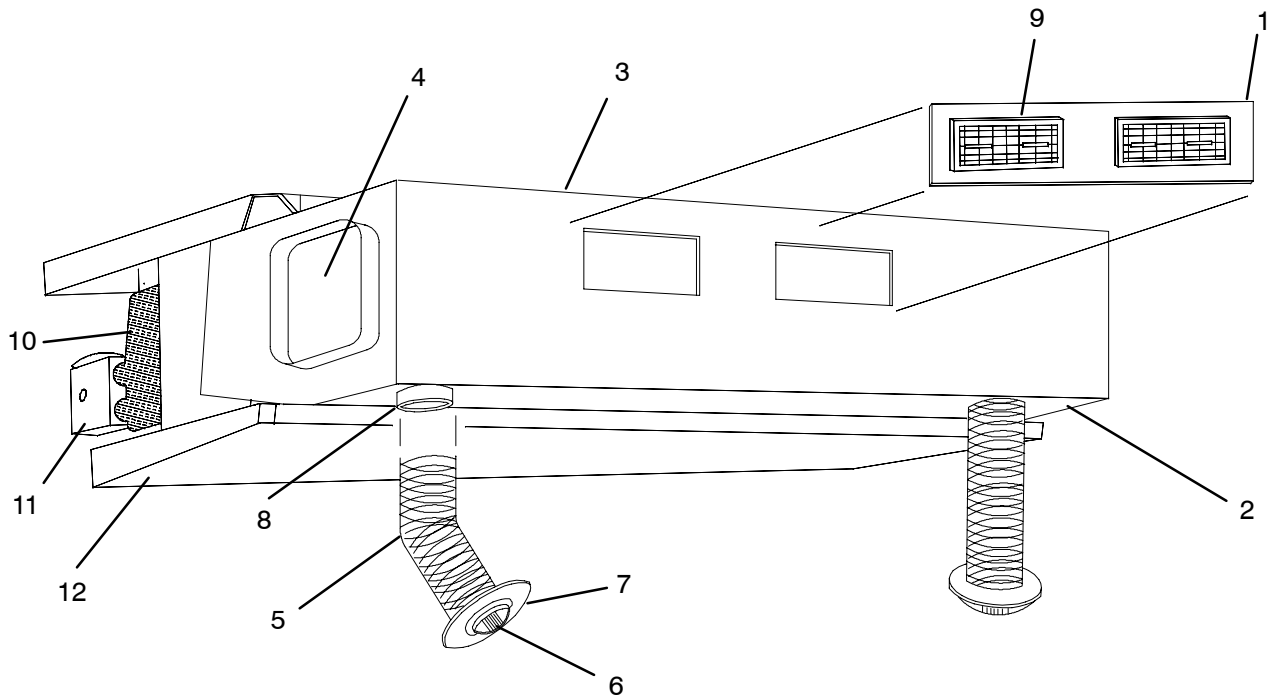
1.1.4 EVAPORATOR, EM-1, GEN 2, FREE BLOW



For replacement parts on units with serial #1-006001 to #1-024900.

Item	Part Number	Description	Qty
1	AC021-003	Cover, Evaporator, Beige	1
	AC021-007	Cover, Evaporator, White	1
	AC021-180	Cover, Evaporator, Gray Noryl	1
2	AC020-005-1	Trim Strip, White	1
3	AC801-415	Flexible Trim, Black X FT	6
4	AC021-109	Grill, Rear Air Inlet, Black	1
5	AC401-308	Louver Assembly, (3.0 Inch X 7.0 Inch)	4
6	58-01379-00	Ball Louver, (2 1/4 Inch)	1
7	AC021-114	Drain Pan Assembly	1
8	AC021-113	Coil Assembly, R12	1
	N/A	Coil Assembly, R134a, (AC021-601)	1
9	AC101-100	Thermal Expansion Valve, R12	1
	14-00301-03	Thermal Expansion Valve, R134a	1
10	AC401-209A	Blower Assembly (Kit), 12 VDC, Includes:	1
	76-62019-00Resistor Kit, (4 Prong)	1
	NSSBlower Assembly, Dual, 12 VDC - Includes: (AC401-209)	1
	54-50070-00Motor, Blower, 12 VDC	1
10	AC401-210A	Blower Assembly (Kit), 24 VDC, Includes:	1
	76-62019-00 Resistor Kit, (4 Prong)	2
	NSSBlower Assembly, Dual, 24 VDC, (AC401-210)	1
11	AC201-501	Thermostat, Coil Insert, (Optional)	1
12	AC801-405	Filter, Metal, (35 3/8 X 8 Inch)	1

1.1.5 PLENUM FOR EVAPORATORS - EM-1 & 2, GEN 2

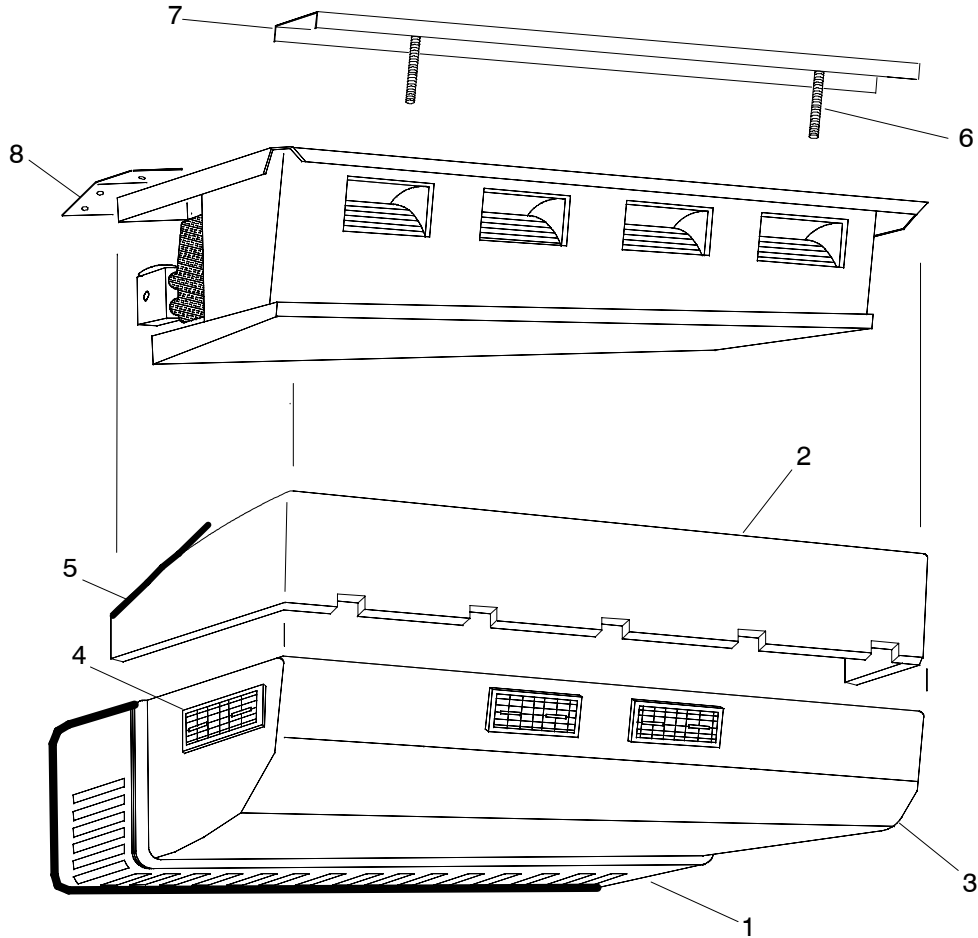


For replacement parts on EM-1 with serial #1-1006001 to #1-024900

For replacement parts on EM-2 with serial #2-203501 to #2-011900

Item	Part Number	Description	Qty
1	AC011-026	Plate, Louver, Black	1
2	AC021-146	Bottom Panel, Plenum	1
3	AC021-148	Weldment, Plenum	1
4	AC021-152	Block-Off Plate, Plenum	2
5	AC301-205	Hose, Flexible Duct, 2-1/2 Inch x Foot	3
6	AC401-305	Louver, Ball, 2-1/2 Inch	2
7	AC401-306	Ring, Mounting, 4 Inch OD, Black	2
8	AC401-307	Adapter, Hose, 2-1/2 Inch	2
9	AC401-308	Louver, With Bezel Assembly, 3 Inch X 7 Inch	2
10	AC021-601	Assembly, Coil	1
11	14-00301-03	Thermal Expansion Valve	1
12	AC021-114	Assembly, Drain Pan	1

1.1.6 SIDE MOUNT EVAPORATOR, EM-1 & 2, GEN 2

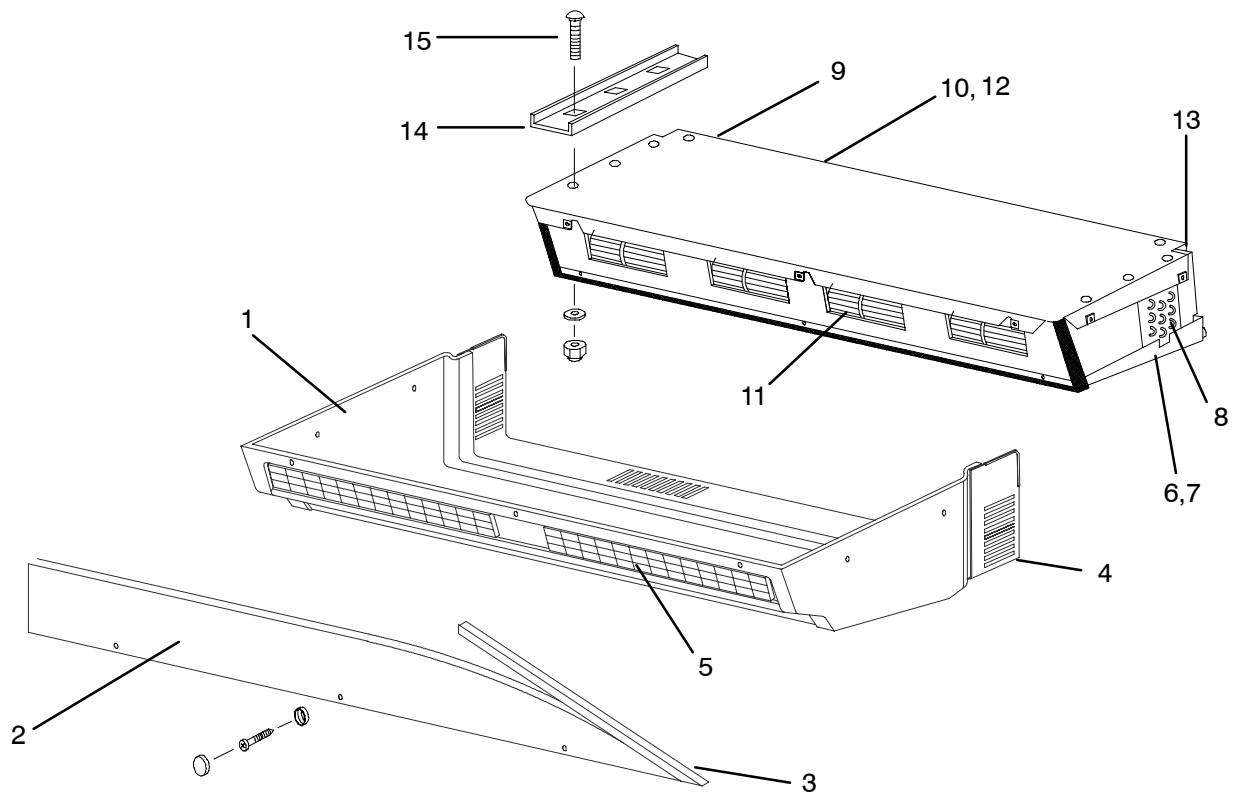


For replacement parts on EM-1 with serial #1-1006001 to #1-024900

For replacement parts on EM-2 with serial #2-203501 to #2-011900

Item	Part Number	Description	Qty
1	AC021-157P	Grill, Air Inlet, Rear, (Painted Black)	1
2	AC021-154-1	Trim Strip, Side Mount, (Beige)	1
3	AC021-020	Cover Assembly, Side Mount, (Beige)	1
4	AC401-308	Louver Assembly, (3 Inch X 7 Inch)	4
5	AC801-415	Trim, Flexible, Black, X Foot	10
6	AC020-171P	Rod, Hanger Adjuster, Painted	2
7	AC020-174	Hanger, Front	1
8	AC020-172	Hanger, Rear	1

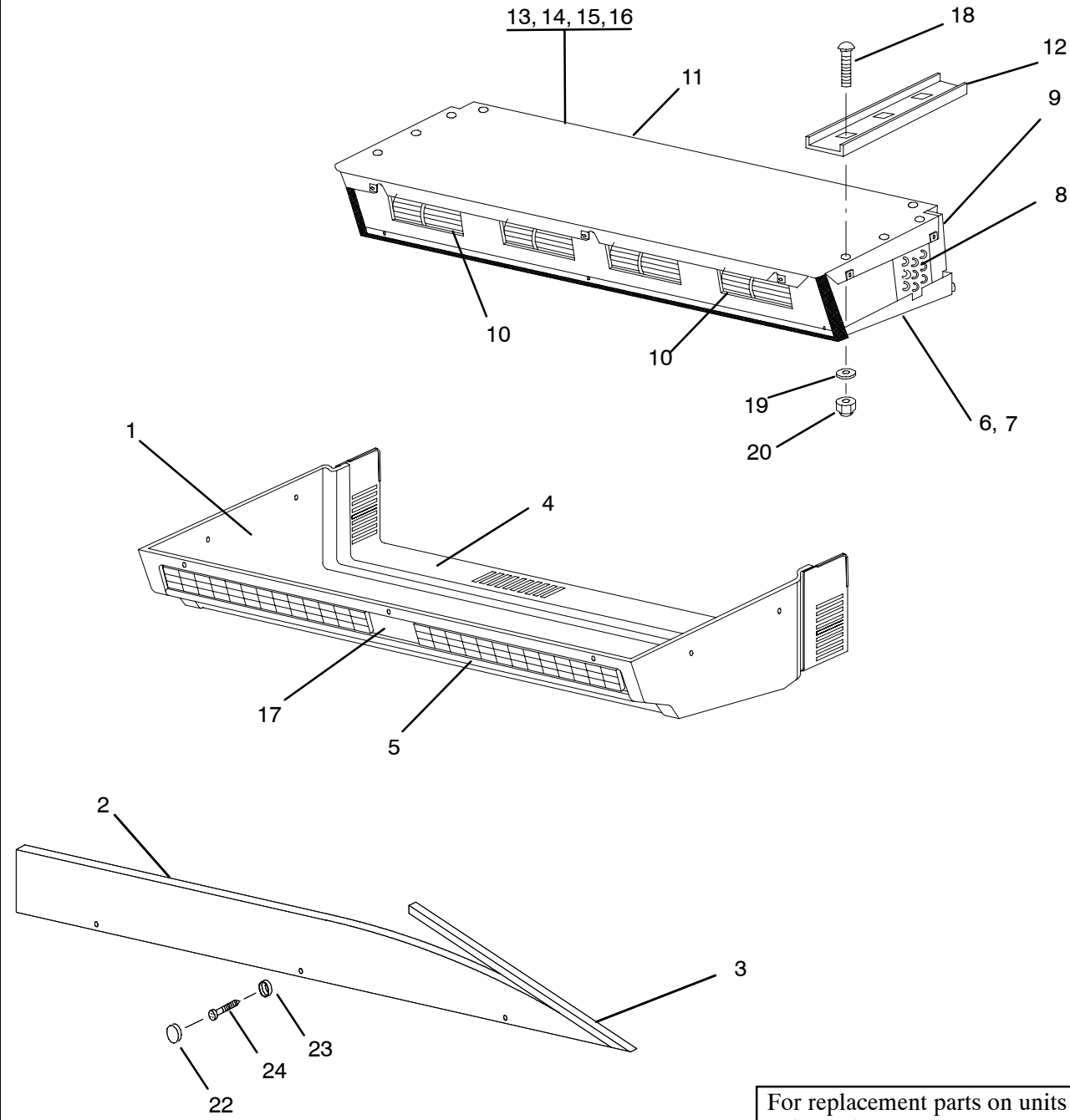
1.1.7 EVAPORATOR, EM-1, GEN 3, FREE BLOW



For replacement parts on units with serial #1-025002 to #1-032500

Item	Part Number	Description	Qty
1	AC022-346-S	Cover, Evaporator, Beige	1
	AC022-312-S	Cover, Evaporator, White	
	AC022-351-S	Cover, Evaporator, Gray	
2	AC022-282	Trim Strip, Beige	1
	AC022-282-1	Trim Strip, White	
	AC022-282-2	Trim Strip, Gray	
3	AC801-415	Flexible Trim, Black X FT	5
4	AC022-251	Grill, Return Air Inlet, Black	1
5	AC401-320	Louver, Assembly, (14 3/8 Inch X 3 3/8 Inch)	2
6	AC022-310-S	Drain Pan Assembly, (Foamed)	1
7	AC022-313	Drain Pan Baffle, Foam	1
8	AC022-309-S	Coil Assembly, Without Heat	1
	AC022-472-S	Coil Assembly, With Heat	
9	14-00301-03	Thermal Expansion Valve	1
10	AC201-501	Thermostat, Freeze-Up	1
11	AC401-221	Blower Assembly, Dual, 12 Volt	1
	AC401-222	Blower Assembly, Dual, 24 Volt	
12	76-62019-00	Resistor Kit, (1.8 Ohm, 4 Prong)	2
13	AC801-451	Filter, Return Air, (35 X 7 1/4 Inch)	1
14	AC020-009	Mounting Channel	2
15	34-01310-01	Bolt, Carriage Head, 3/8-16 X 4 inch, Full Thread, GD-8, Zinc Plated	4

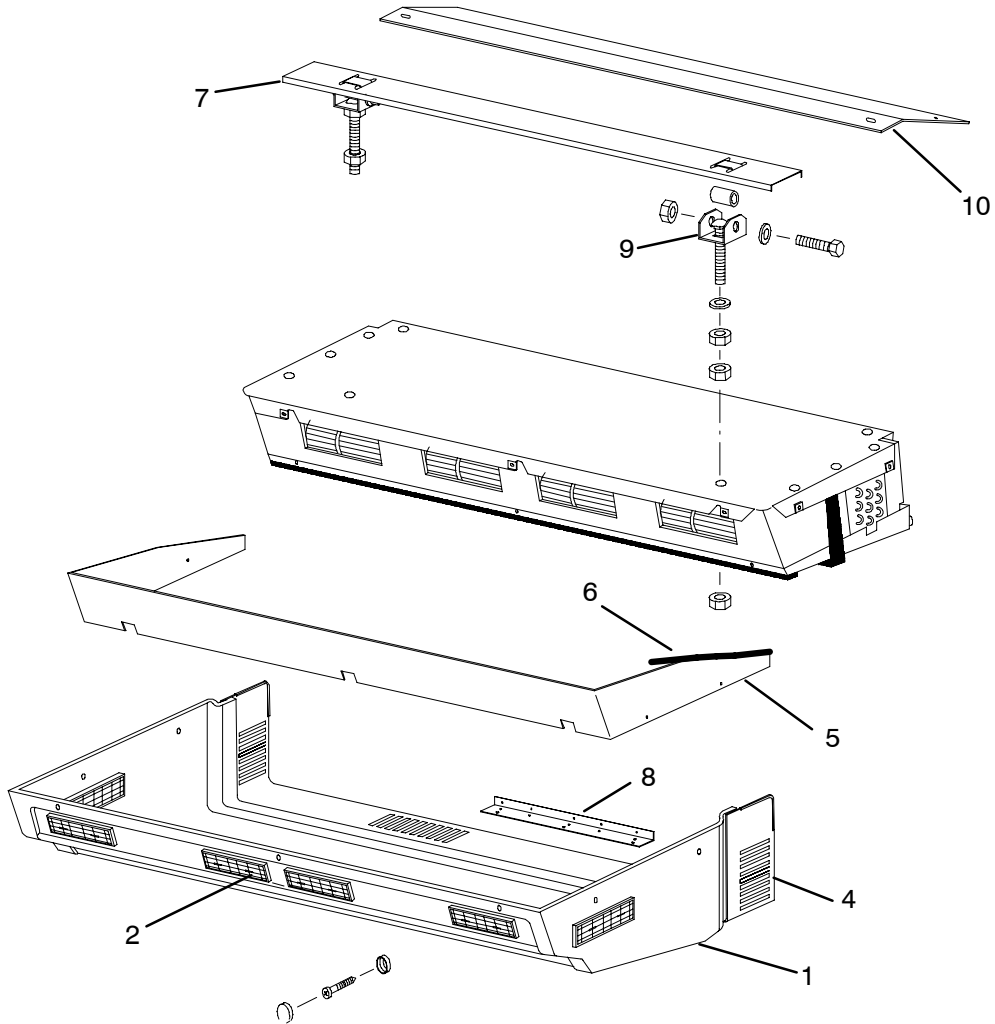
1.1.8 EVAPORATOR, EM-1, GEN 4, FREE BLOW



For replacement parts on units with serial #1-032501 to #.

1.1.8 EVAPORATOR, EM-1, GEN 4, FREE BLOW - Continued			
Item	Part Number	Description	Qty
1	79-62071-00	Cover Assembly, White	1
	79-62071-01	Cover Assembly, Gray	1
2	68-62576-01	Trim Strip, White/Gray	1
3	AC801-415	Flexible Trim, Black X FT	5
4	AC022-251	Grill, Return Air Inlet, Painted Black	1
5	AC401-320	Louver Assembly, (14 3/8 Inch X 3 3/8 Inch)	2
6	AC022-712-S	Drain Pan Assembly, Includes:	1
7	AC022-313 Baffel, Foamed, Drain Pan	1
8	AC022-708-S	Coil, Assembly, Without Heat (.006 Fins - 14 Per inch)	1
	AC022-719-S	Coil, Assembly, With Heat	1
	08-62059-00	Coil, Assembly, With Low Pressure Switch Connection, With Heat	1
	08-62060-00	Coil, Assembly, With Low Pressure Switch Connection, Cool Only	1
9	14-00301-03	Thermal Expansion Valve	1
10	AC401-232	Blower Assembly, Dual, 12 Volt	2
	AC401-233	Blower Assembly, Dual, 24 Volt	2
11	AC801-405	Filter, Return Air, (35 X 7 1/4 Inch)	1
12	AC020-009	Channel, Mounting	2
13	AC201-501	Thermostat, Freeze-Up	1
14	76-62019-00	Resistor Kit, (1.8 Ohm, 4 Prong)	2
15	AC022-710	Harness, Evaporator, 12 VDC	1
16	AC022-717	Harness, Evaporator, 24 VDC	1
17	AC022-289	Emblem, Carrier	1
18	34-01310-01	Bolt, Carriage Head, 3/8-16 X 4 Inch, Full Thread, GD-8, Zinc Plated	4
19	34-00588-13 Washer, Flat, 3/8 Inch, Zinc Plated	4
20	34-00361-13 Nut, Hex, Lock, 3/8-16, Zinc Plated	4
21	76-62103-00	Hardware Kit, Cover Mounting To Unit, Gray, Includes:	1
22	AC801-529 Washer, Snap Cap	8
23	AC801-532 Snap Cap, Gray	8
24	34-62046-00 Screw, Pan Head, Phillips, #10 X 5/8 Inch, AB, Black	8
25	76-62103-04	Hardware Kit, Cover Mounting To Unit, White, Includes:	1
26	AC801-529 Washer, Snap Cap	8
27	AC801-531 Snap Cap, White	8
28	34-62046-00 Screw, Pan Head, Phillips, #10 X 5/8 Inch, AB, Black	8

1.1.9 SIDE MOUNT EVAPORATOR, EM-1 & 2, GEN 3 & GEN 4

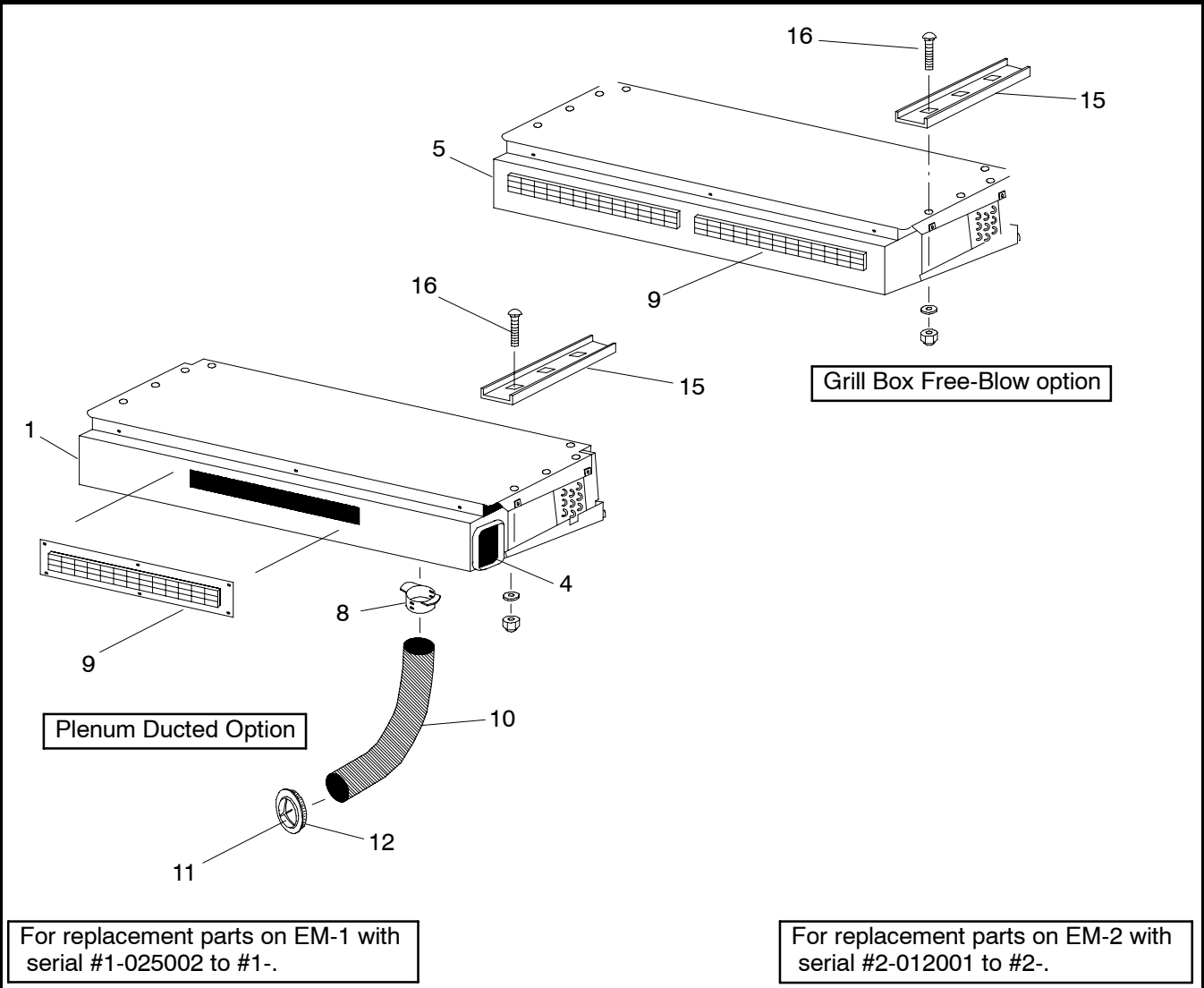


For replacement parts on EM-1
with serial #1-25002 to #1-

For replacement parts on EM-2
with serial #2-012001 to #2-

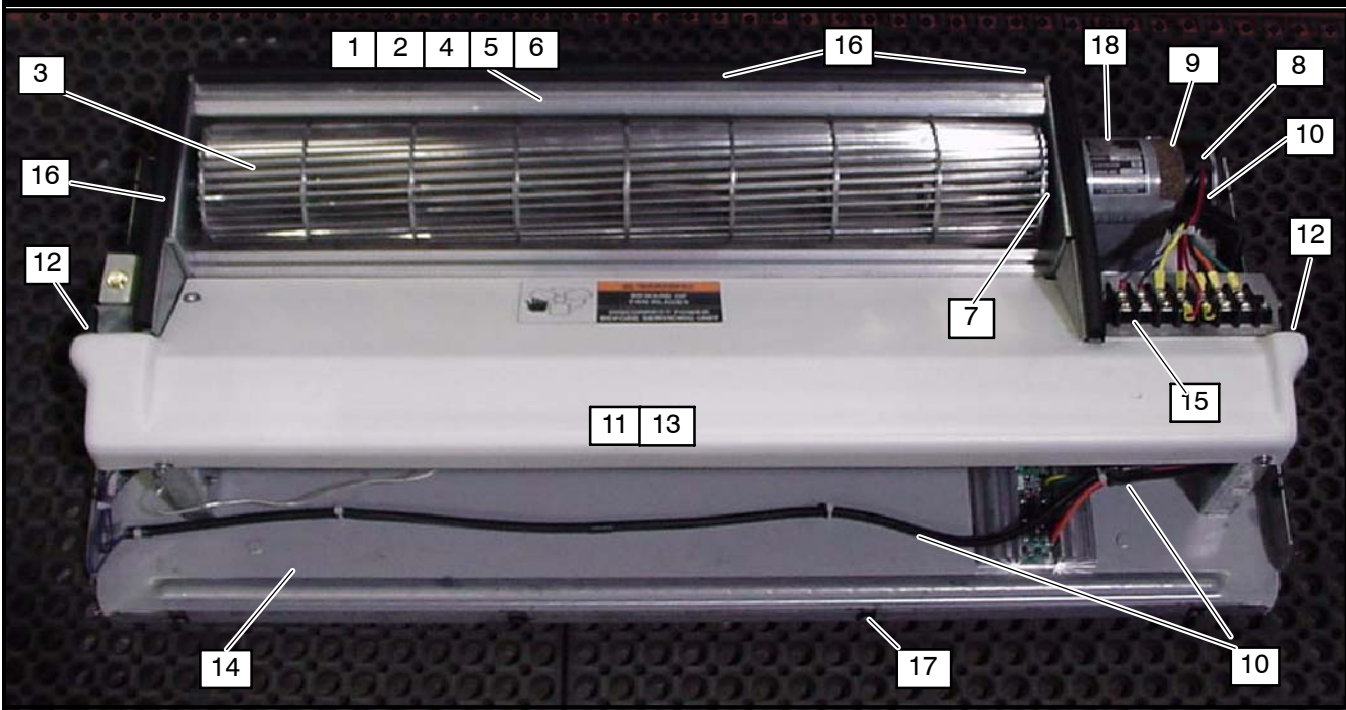
Item	Part Number	Description	Qty
1	79-62075-00	Cover Assembly, White	1
	79-62075-01	Cover Assembly, Gray	1
	N/A	Cover Assembly, Beige, (AC022-479-S)	1
2	AC401-308	Louver Assembly, With Bezel, (3 Inch X 7 Inch)	6
3	AC022-289	Emblem, Carrier, (2-7/8 Inch)	1
4	AC022-290P	Grill, Return Air, Painted	1
5	AC022-286-1	Trim Strip, White, (39-1/2 x 31/4 Inches)	1
	AC022-286-2	Trim Strip, Gray, (39-1/2 x 31/4 Inches)	1
6	AC801-415	Trim, Flexible, Black, x Foot	25
7	AC020-174	Weldment, Hanger	1
8	AC020-179P	Angle, Support, Rear Screen, (Painted)	1
9	AC021-223	Hanger, Front	2
10	AC022-292	Hanger, Rear	1

1.1.10 PLENUM & GRILL BOX FOR EVAPORATORS EM-1 & 2, GEN I AND GEN 4



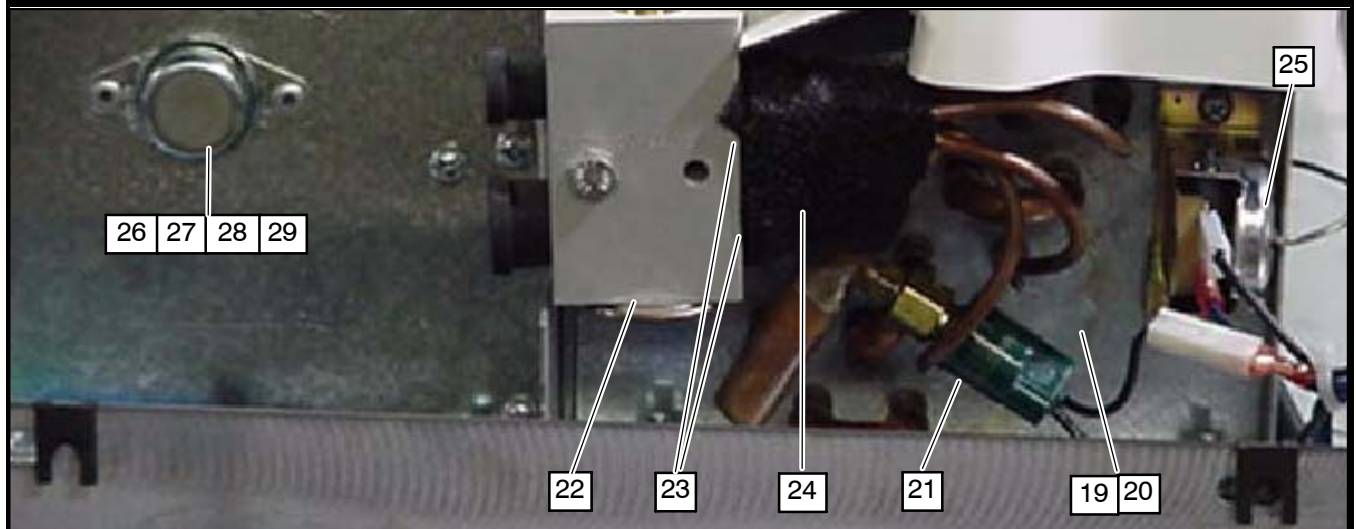
Item	Part Number	Description	Qty
1	AC022-298	Weldment, Plenum, EM-1	1
2	AC022-302	Bottom Panel, Plenum, EM-1	1
3	AC022-463	Angle, Plenum, EM-1/2	1
4	AC021-152	Block-Off Plate, EM-2	2
5	AC022-327P	Weldment, Grillbox, EM-1, (Painted)	1
6	AC022-331P	Grillbox Bottom, EM-1, (Painted)	1
7	AC022-464P	Plate, Louver, EM-1, (Painted)	1
8	AC401-307	Adapter, Hose, 2-1/2 Inch	2
9	AC401-320	Louver, 14-3/8 Inch X 3-3/8 Inch	2
10	AC301-205	Duct, Hose, 2-1/2 inch X foot	3
11	AC401-305	Louver, Ball, 2-1/2 inch with Hose Back	2
12	AC401-306	Ring, Mounting, Louver Ball	2
13	AC801-400	Gasket, Foam, 1/8 inch X 54 inch X foot	1.5
14	AC801-414	Gasket, Foam, 3/8 inch X 1 inch X 25 Foot Roll	1
15	AC020-009	Channel, Mounting	2
16	34-01310-01	Bolt, Carriage Head, 3/8-16 X 4, Full Thread, GD-8, Zinc Plated	4

1.1.11 EVAPORATOR, EM-1, GEN-V, FREE BLOW, REAR MOUNT



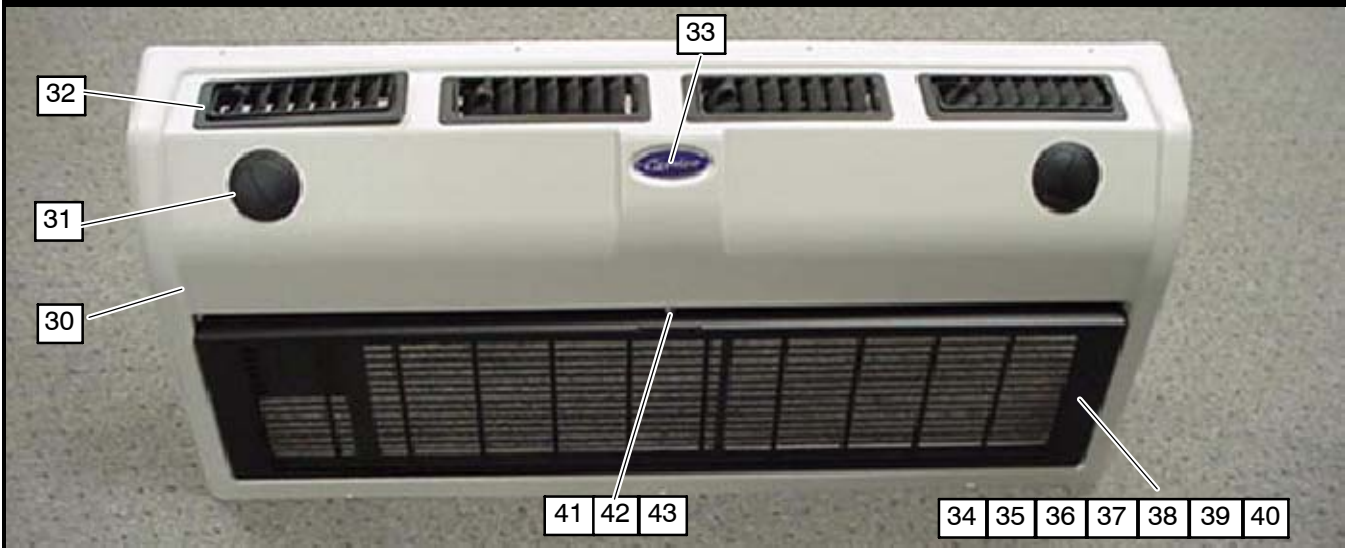
Item	Part Number	Description	Qty
1	NSS	Blower Housing & Gasket Assembly, (79-62079-00) Includes:	1
2	NSSBlower Housing & Wheel Assembly, (38-00564-00) Includes:	1
3	38-00564-50Blower Wheel	1
4	38-00564-60Blower Housing	1
5	42-62118-00Gasket, Mounting, Blower Hopusing, 1/8 Inch Thick Neoprene	2
6	42-62117-00Gasket, Blower Housing, 3/16 Inch Thick Neoprene	1
7	34-00482-05Set Screw, Cup Point, 1/4-28, SS	1
8	54-00621-00	Motor, Evaporator, EM-1, 12 VDC, (GEN-V)	1
	54-00621-03	Motor, Evaporator, EM-1, 24 VDC, (GEN-V)	1
9	42-62052-00	Gasket, Motor, (GenV)	1
10	22-62099-00	Harness Assembly, Evap., With Speed Control, (12-00533-00, NSS)	1
	22-62168-00	Harness Assembly, Evap., 3 Speed	1
	22-62168-01	Harness Assembly, Evap., 3 Speed, With Return Air Sensor	1
11	79-62094-00	Drain Pan Assembly, EM-1 - Includes:	1
12	58-62159-00Tube, Plastic, Drain	2
13	68-62711-00	Bracket Assembly, Drain Pan (W/O .440 Hole)	1
	68-62711-01	Bracket Assembly, Drain Pan (W/2 .440 Holes)	1
14	68-62722-00	Panel, Top, EM-1, (GenV)	1
15	22-62100-00	Terminal Block, 7 Position, With Stainless Steel Screws	1
16	58-62064-00F25	Trim Seal, 1/8 Inch Grip, (25 Foot Roll)	1
17	AC701-123	Tinnerman Clip, High Torque, #10AB	8
18	68-62725-00	Bracket, Motor Mounting	1

1.1.11 EVAPORATOR, EM-1, GEN-V, FREE BLOW, REAR MOUNT, - Continued



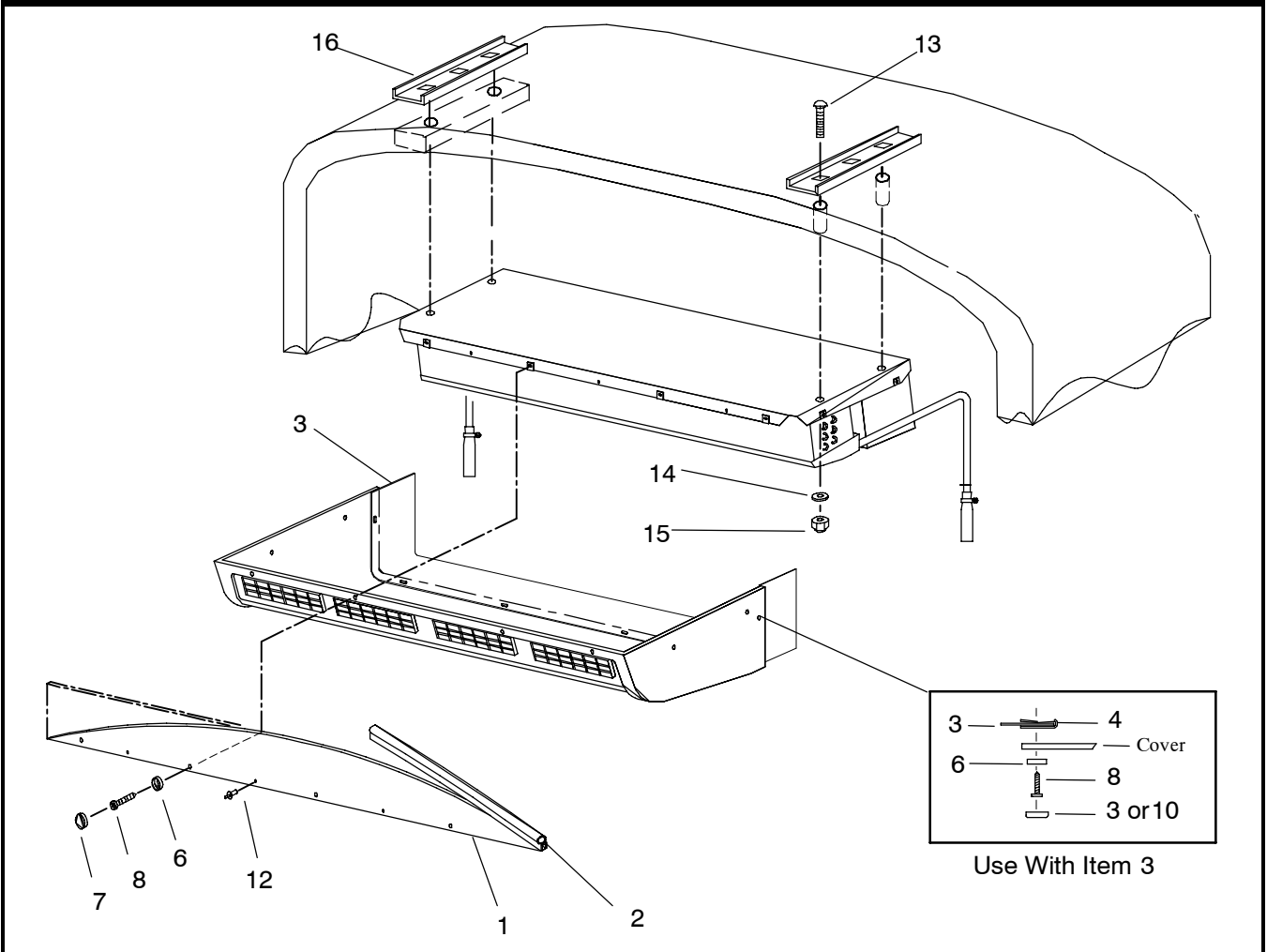
Item	Part Number	Description	Qty
19	79-02358-00	Coil Assembly, Includes:	1
20	08-62031-00Coil Assembly, EM-1	1
21	AC201-412Switch, Pressure, Low	1
22	14-00301-03Valve, Thermal Expansion, R134a	1
23	AC801-202O-Ring, 1/2 Inch	2
24	42-00032-01Tape, Insulation, Presstite, 2.00 X 48.00 Inches Long	1
25	12-00547-00	Thermostat, Freeze, Non-Adjustable	1
N/S	AC201-500	Switch, Thermostat, Return Air Sensor	1
N/S	22-62169-00	Resistor, 220W, .820 Ohm	1
26	76-62257-00	Bearing Housing & Boot Repair Kit - Includes:	1
27	38-00564-70Housing, Bearing, Blower Wheel	1
28	38-00564-71Boot, Rubber, Blower Wheel	1
29	AC701-401Pop Rivet, 3/16, Steel	2

1.1.11 EVAPORATOR, EM-1, GEN-V, FREE BLOW, REAR MOUNT - Continued



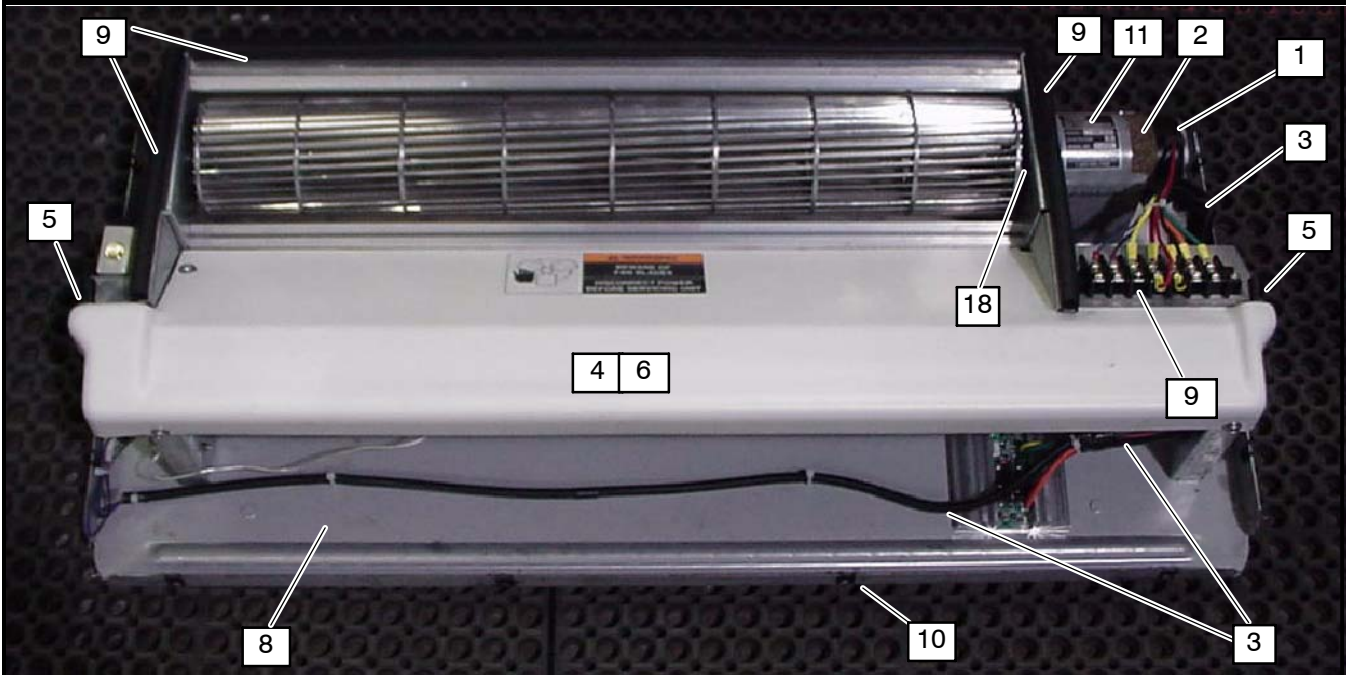
Item	Part Number	Description	Qty
30	79-62035-01	Cover Assembly, Complete, Rear Mount, White	1
	79-62035-02	Cover Assembly, Complete, Rear Mount, Gray	1
31	58-01385-00	Louver, Evaporator, 3 Inch (Requires Retaining Ring 58-01385-01)	2
	58-01385-01	Ring, Retaining, Louver (Used With Louver 58-01385-00)	2
32	58-62042-00	Louver, Rectangle (8.0 X 3.0 Inches)	4
33	AC022-289	Emblem, Carrier	1
34	38-00573-01	Filter, Air, 36.5 X 9.0 Inches, EM-1, (GenV)	1
35	76-50128-00	Grill Kit, EM-1 - Includes: (Replaces Grill 68-62735-00 & Channel 68-62736-00)	1
36	68-63275-01 Grill, Evaporator, EM-1, GEN V, (Painted)	1
37	68-63276-01 Door, Filter, EM-1, Gen V, (Painted)	1
38	68-63277-01 Baffel, Cover, EM-1, Gen V	1
39	AC701-403 Rivet, Pop, 1/8 inch, Steel (Fasten Door to Grill)	2
40	AC701-400 Rivet, Pop, 3/16 inch, Steel (Faster Baffel & Grill to Cover)	7
N/S	98-50168-00 Instructions, Grill, Door & Baffel Installation	1
41	34-62019-00	Receptacle, 1/4 Turn	1
42	34-62020-00	Stud, 1/4 Turn, .25 Grip Range	1
43	34-06169-01	Washer, Retaining, .215 I. D.	1

1.1.12 INSTALLATION COMPONENTS, EM-1, GEN V, REAR MOUNT



Item	Part Number	Description	Qty
1	68-62660-00	Trim Strip, Gray One Side & White Other Side, EM-1	1
2	AC801-415	Gasket, Trimlock, Black	10 Ft.
3	68-62662-00	Panel, Gray, Rear (Requires Additional Item #5)	1
	68-62662-01	Panel, White, Rear (Requires Additional Item #9)	1
4	AC701-123	Tinnerman Clip, Hi Torque, #10 AB	5
5	76-62103-00	Hardware Kit, Cover Mounting To Unit, Gray, Includes:	1
6	AC801-529 Washer, Snap Cap	8
7	AC801-532 Snap Cap, Gray	8
8	34-62046-00 Screw, Pan Head, Phillips, #10 X 5/8 Inch, AB, Black	8
9	76-62103-04	Hardware Kit, Cover Mounting To Unit, White, Includes:	1
6	AC801-529 Washer, Snap Cap	8
10	AC801-531 Snap Cap, White	8
8	34-62046-00 Screw, Pan Head, Phillips, #10 X 5/8 Inch, AB, Black	8
11	76-62103-01	Hardware Kit, Unit Mounting To Channels, Includes:	1
12	AC701-403 Rivet, Pop, 1/8-Steel	3
13	34-01310-01 Bolt, Carriage, 3/8-16 X 4 Inches, Full Thread, GD-8, Zinc Plated	4
14	34-00588-13 Washer, Flat, 3/8 Inch, Zinc Plated	4
15	34-00361-13 Nut, Hex, Lock, 3/8-16, Zinc Plated	4
16	AC020-009	Channel, Mounting, 3/16 X 30 Inches Long	2
	AC021-360	Channel, Mounting, 3/16 X 15.75 Inch, (Model 77-62112-80 & -82 Only)	2

1.1.13 EVAPORATOR, EM-1, GEN-V, FREE BLOW, SIDE MOUNT



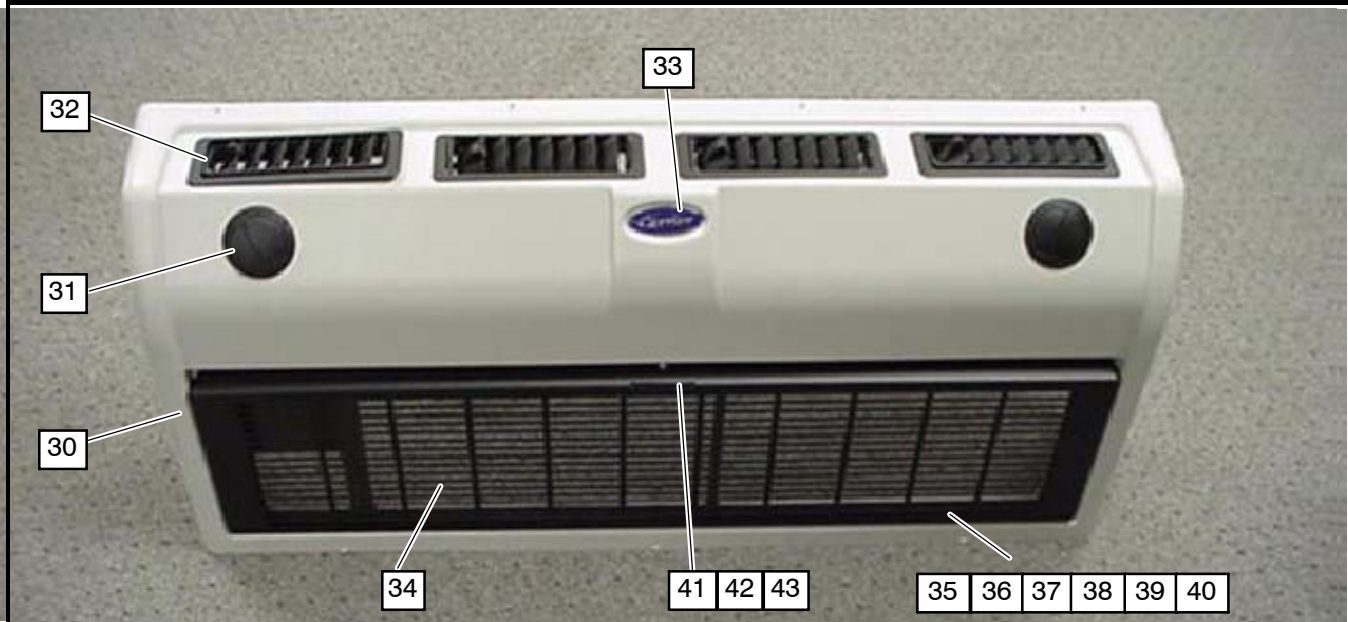
Item	Part Number	Description	Qty
1	54-00621-00	Motor, Evaporator, EM-1, 12 VDC, (GEN-V)	1
	54-00621-03	Motor, Evaporator, EM-1, 24 VDC, (GEN-V)	1
2	42-62052-00	Gasket, Motor, (GenV)	1
3	22-62099-00	Assembly, Harness, Evap., With Speed Control, (12-00533-00, NSS)	1
	22-62168-00	Harness Assembly, Evap., 3 Speed	1
	22-62168-01	Harness Assembly, Evap., 3 Speed, With Return Air Sensor	1
4	79-62094-00	Drain Pan Assembly, EM-1 - Includes:	1
5	58-62159-00Tube, Plastic, Drain	2
6	68-62711-00	Bracket Assembly, Drain Pan (W/O .440 Hole)	1
	68-62711-01	Bracket Assembly, Drain Pan (W/2 .440 Holes)	1
7	68-62722-00	Panel, Top, EM-1, (GenV)	1
8	22-62100-01	Terminal Block, 7 Position, (50 Amp) Includes Stainless Steel Screws	1
9	58-62064-00F25	Trim Seal, 1/8 Inch Grip, (25 Foot Roll)	1
10	AC701-123	Tinnerman Clip, High Torque, #10AB	8
11	68-62725-00	Bracket, Motor Mounting	1

1.1.13 EVAPORATOR, EM-1, GEN-V, FREE BLOW, SIDE MOUNT, Continued



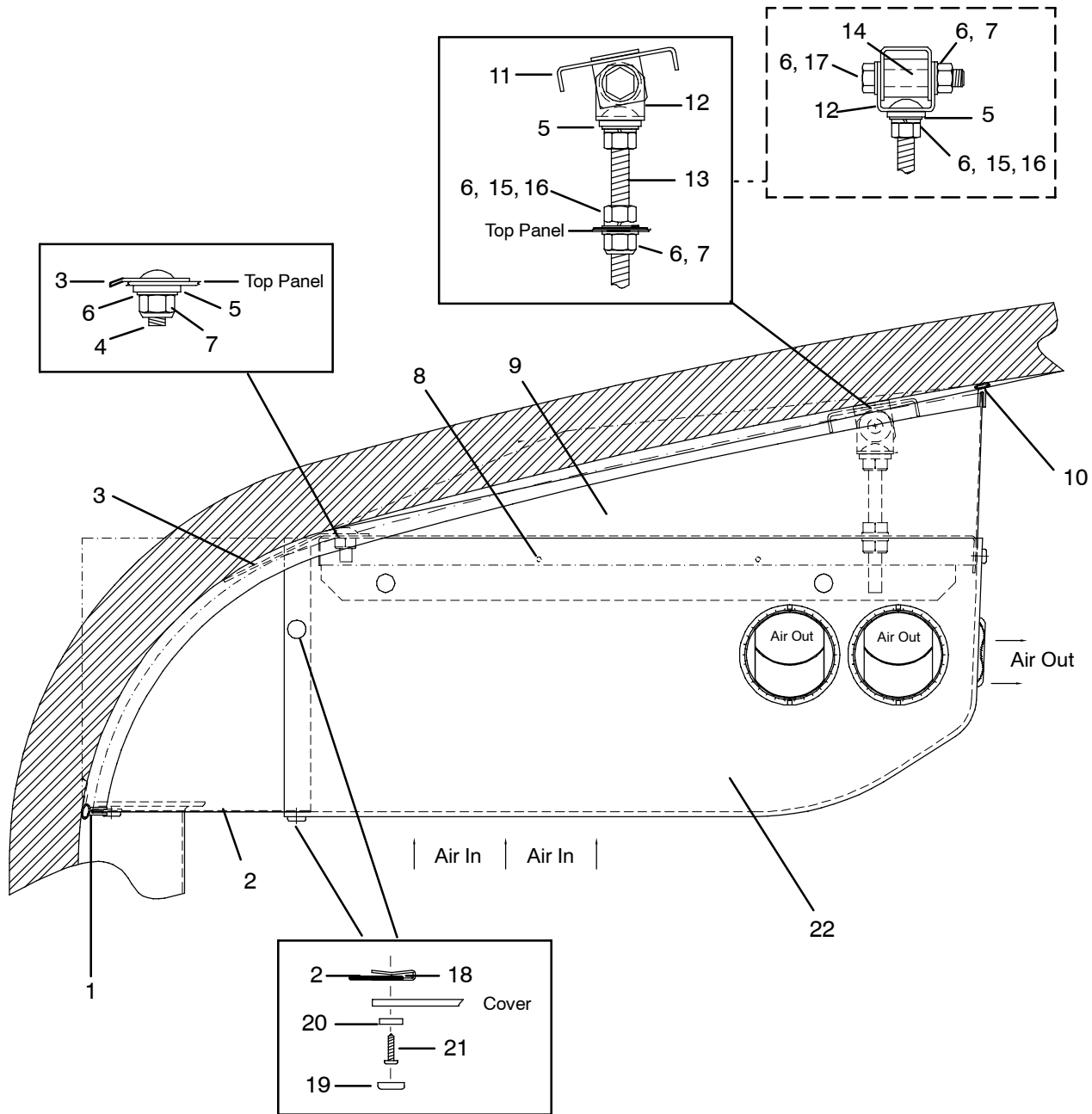
Item	Part Number	Description	Qty
12	NSS	Blower Housing & Gasket Assembly, (79-62079-00) Includes:	1
13	NSSBlower Housing And Wheel Assembly (38-00564-00)	1
14	38-00564-50Blower Wheel	1
15	38-00564-60Blower Housing	1
16	42-62118-00Gasket, Mounting, Blower Hopusing, 1/8 Inch Thick Neoprene	2
17	42-62117-00Gasket, Blower Housing, 3/16 Inch Thick Neoprene	1
18	34-00482-05Set Screw, Cup Point, 1/4-28, SS	1
19	79-02358-00	Coil Assembly, Includes:	1
20	08-62031-00Coil Assembly, EM-1	1
21	AC201-412Switch, Pressure, Low	1
22	14-00301-03Valve, Thermal Expansion, R134a	1
23	42-00032-01Tape, Insulation, Presstite, 2.00 X 48.00 Inches Long	1
24	AC801-202O-Ring, 1/2 Inch	2
25	12-00547-00	Thermostat, Freeze, Non-Adjustable	1
N/S	AC201-500	Switch, Thermostat, Return Air Sensor	1
N/S	22-62169-00	Resistor, 220 W, .820 Ohm	1
26	76-62257-00	Bearing Housing & Boot Repair Kit - Includes:	1
27	38-00564-70Housing, Bearing	1
28	38-00564-71Boot, Rubber	1
29	AC701-401Pop Rivet, 3/16 SD62BS, Steel	2

1.1.13 EVAPORATOR, EM-1, GEN V, SIDE MOUNT, Continued



Item	Part Number	Description	Qty
30	79-62036-01	Cover Assembly, Complete, Side Mount, White	1
	79-62036-02	Cover Assembly, Complete, Side Mount, Gray	1
31	58-01385-00	Louver, Evaporator, 3 Inch (Requires Retaining Ring 58-01385-01)	6
	58-01385-01	Ring, Retaining, Louver (Used With Louver 58-01385-00)	6
32	58-62042-00	Louver, Rectangle (8.0 X 3.0 Inches)	4
33	AC022-289	Emblem, Carrier	1
34	38-00573-01	Filter, Air, EM-1, 36.5 X (Inches (GenV)	1
35	76-50128-00	Grill Kit, EM-1 - Includes: (Replaces Grill 68-62735-00 & Channel 68-62736-00)	1
36	68-63275-01 Grill, Evaporator, EM-1, GEN V, (Painted)	1
37	68-63276-01 Door, Filter, EM-1, Gen V, (Painted)	1
38	68-63277-01 Baffel, Cover, EM-1, Gen V	1
39	AC701-403 Rivet, Pop, 1/8 inch, Steel (Fasten Door to Grill)	2
40	AC701-400 Rivet, Pop, 3/16 inch, Steel (Faster Baffel & Grill to Cover)	7
N/S	98-50168-00 Instructions, Grill, Door & Baffel Installation	1
41	34-62019-00	Receptacle, 1/4 Turn	1
42	34-62020-00	Stud, 1/4 Turn, .25 Grip Range	1
43	34-06169-01	Washer, Retaining, .215 I. D.	1

1.1.14 INSTALLATION COMPONENTS, EM-1, GEN-V, SIDE MOUNT

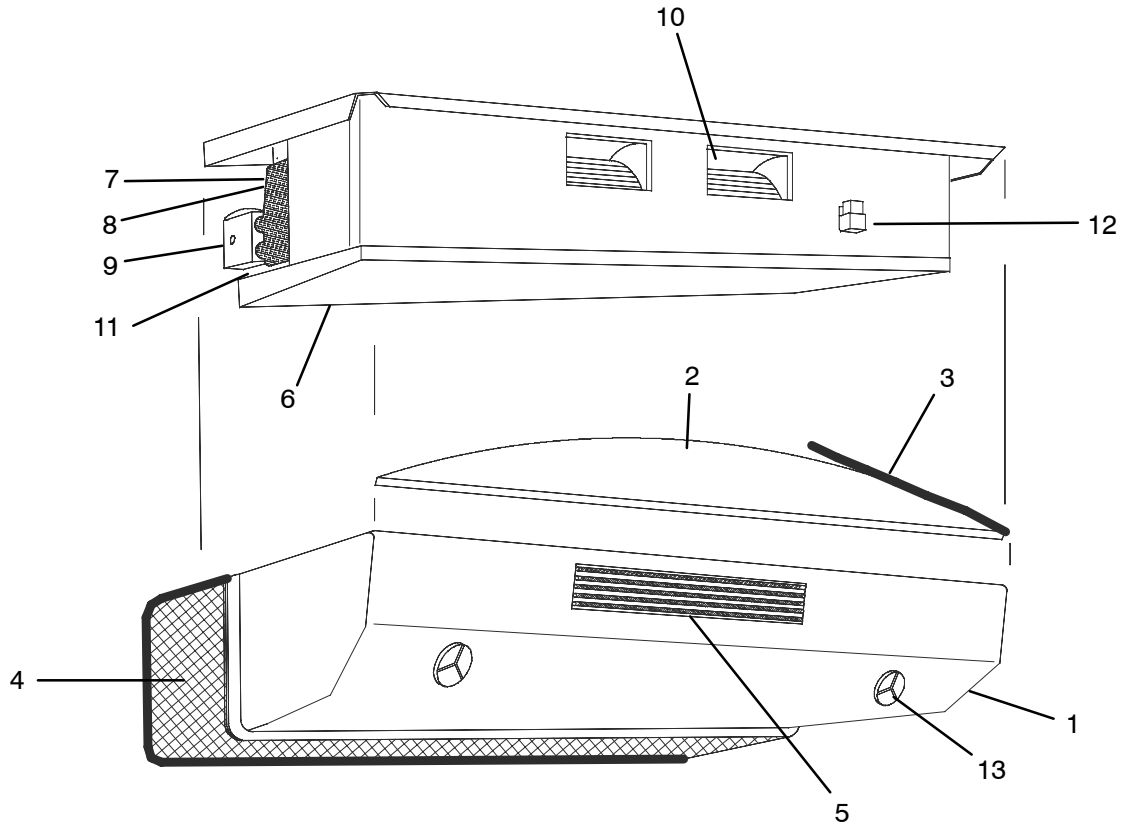


Item	Part Number	Description	Qty
1	AC020-179P	Support Angle	1
2	68-62662-00	Trim Strip, Rear, Gray	1
	68-62662-01	Trim Strip, Rear, White	1
3	AC022-292	Rear Hanger, Side Mount	1
4	34-01310-00	Bolt, Carriage, Round Head, 3/8-16 X 1-1/4 Inch, Zinc plated	2
5	AC601-602	Spacer, Steel, 7/8 OD X 1/2 ID X 1/8 InchLong	2
6	34-00588-13	Washer, Flat, 3/8 Inch, Zinc Plated	8
7	34-00361-13	Nut, Hex, Lock, 3/8-16, Zinc Plated	6
8	AC701-403	Rivet, Pop, 1/8 Inch, Steel	4

1.1.14 INSTALLATION COMPONENTS, EM-1, GEN-V, SIDE MOUNT, Continued			
Item	Part Number	Description	Qty
9	68-62734-00	Trim Strip, Side, Gray	1
	68-62734-01	Trim Strip, Side, White	1
10	AC801-415	Gasket, Trimlock, Black	25 Ft.
11	AC020-174	Bracket, Weld Assembly, Front Hanger	1
12	AC021-223	Bracket, Hanger, Front	2
13	34-01310-02	Bolt, Carriage, Round Head, 3/8-16 X 6 Inch, Zinc plated	2
14	AC601-616	Spacer, Steel, 7/8 OD X 1/2 ID X 1 Inch Long	2
15	34-00368-13	Washer, Split Lock, 3/8 Inch, Zinc Plated	6
16	34-00363-13	Nut, Hex, 3/8-16, Zinc Plated	4
17	17-40034-05	Bolt, Hex Head, 3/8-16 X 2 Inch, Zinc Plated, Grade 8	2
18	AC701-123	Tinnerman Clip, Hi Torque, #10 AB	8
19	AC801-531	Cap, Snap, White	8
	AC801-532	Cap, Snap, Gray	8
20	AC801-529	Washer, Snap Cap	8
21	34-62046-00	Screw, Pan Head Phillips, #10 X 5/8 Inch, AB, Black	8
22	79-62036-01	Cover Assembly, White, EM-1	1
	79-62036-02	Cover Assembly, Gray, EM-1	1

SECTION 1.2 EM-2 EVAPORATORS

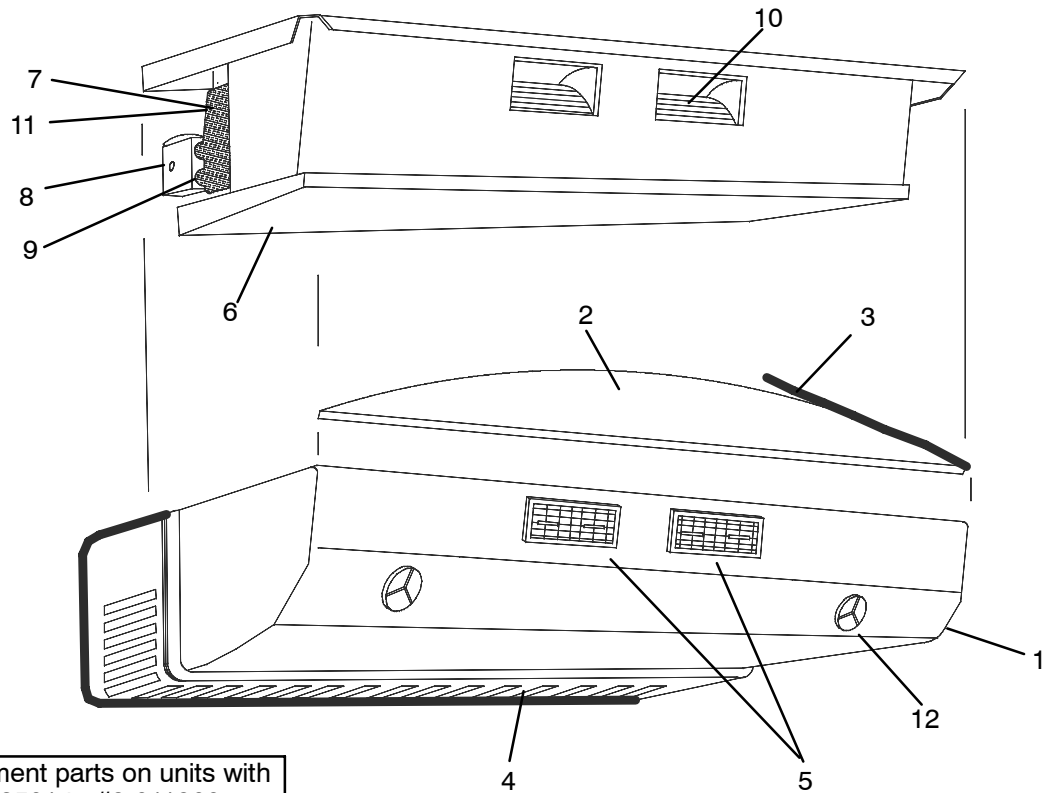
1.2.1 EVAPORATOR, EM-2, GEN 1, FREE BLOW



For replacement parts on units with serial #31514 to #2-203386

Item	Part Number	Description	Qty
1	AC020-058	Cover Assembly, Evaporator, Beige	1
	AC020-146	Cover Assembly, Evaporator, White	1
2	AC020-005-1	Trim Strip, White	1
3	AC801-404	Flexible Trim, Black X FT	4
4	AC020-012	Screen, Air Inlet	1
5	AC020-013	Grill, Air Outlet	1
6	AC020-040	Drain Pan Assembly, (Standard)	1
	AC020-215	Drain Pan Assembly, (Moulded)	1
7	AC021-113	Coil Assembly	1
8	AC020-003	Coil Assembly, (Heat Option)	1
9	AC101-100	Thermal Expansion Valve	1
10	AC401-200A	Blower Assembly, Dual, 12 Volt	1
	AC401-201A	Blower Assembly, Dual, 24 Volt	1
11	AC801-405	Filter, Return Air, (35 3/8 X 8 Inch)	1
12	AC201-806	Relay, 12 Volt, (High Speed)	1
	AC201-807	Relay, 24 Volt, (High Speed)	1
13	58-01379-00	Louver, Ball, 2 1/4 inch	2

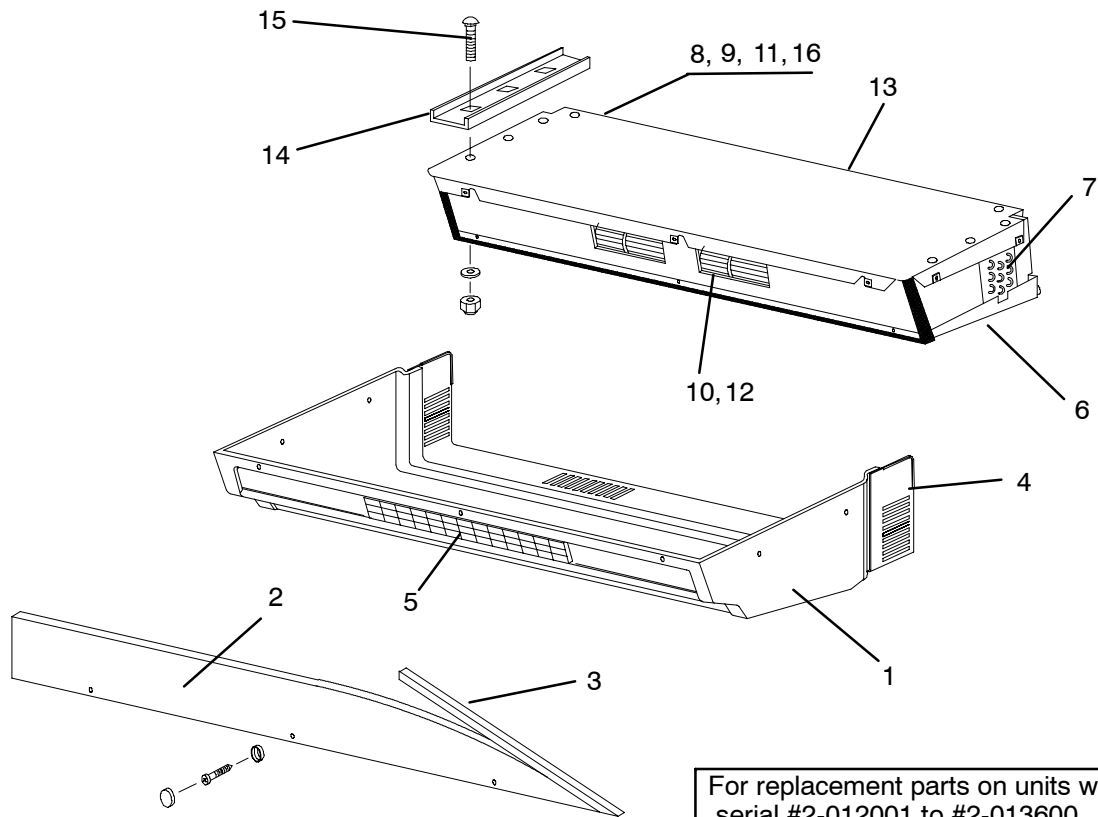
1.2.2 EVAPORATOR, EM-2, GEN 2, FREE BLOW



For replacement parts on units with serial #2-203501 to #2-011900

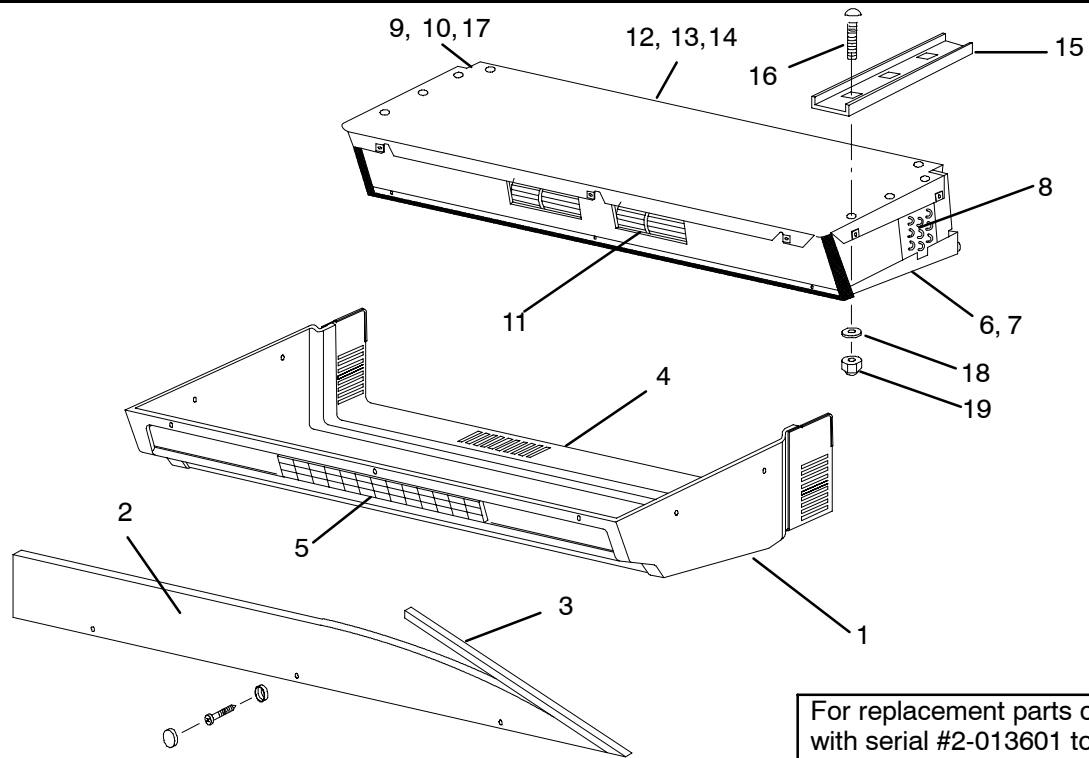
Item	Part Number	Description	Qty
1	AC021-004	Cover Assembly, Evaporator, Beige	1
	AC021-008	Cover Assembly, Evaporator, White	1
	AC021-256	Cover Assembly, Gray Noryl	1
2	AC020-005-1	Trim Strip, White	1
3	AC801-415	Flexible Trim, Black X FT	6
4	AC021-109	Grill, Air Inlet, Black	1
5	AC401-308	Louver Assembly, Air Outlet, (3 Inch X 7 Inch)	2
6	AC021-114	Drain Pan Assembly	1
7	AC021-113	Coil Assembly, R12	1
	AC021-601	Coil Assembly, R134a	1
8	AC101-100	Thermal Expansion Valve, R12	1
	14-00301-03	Thermal Expansion Valve, R134a	1
9	AC801-202	O-Ring, 1/2 Inch (R-12/R134a)	2
10	AC401-209A	Blower Assembly (Kit), 12 VDC, Includes:	1
	76-62019-00Resistor Kit, (1.8 Ohm, 4 Prong)	1
	NSSBlower Assembly, Dual, 12 VDC - Includes: (AC401-209)	1
	54-50079-00Motor, Blower, 12 VDC	1
10	AC401-210A	Blower Assembly Kit, 24 VDC, Includes:	1
	76-62019-00Resistor Kit, (1.8 Ohm, 4 Prong)	2
	NSSBlower Assembly, Dual, 24 VDC, (AC401-210)	1
11	AC801-405	Filter, Return Air, (35 3/8 X 8 Inch)	1
12	58-01379-00	Louver, Ball, 2 1/4 inch	2

1.2.3 EVAPORATOR, EM-2, GEN 3, FREE BLOW



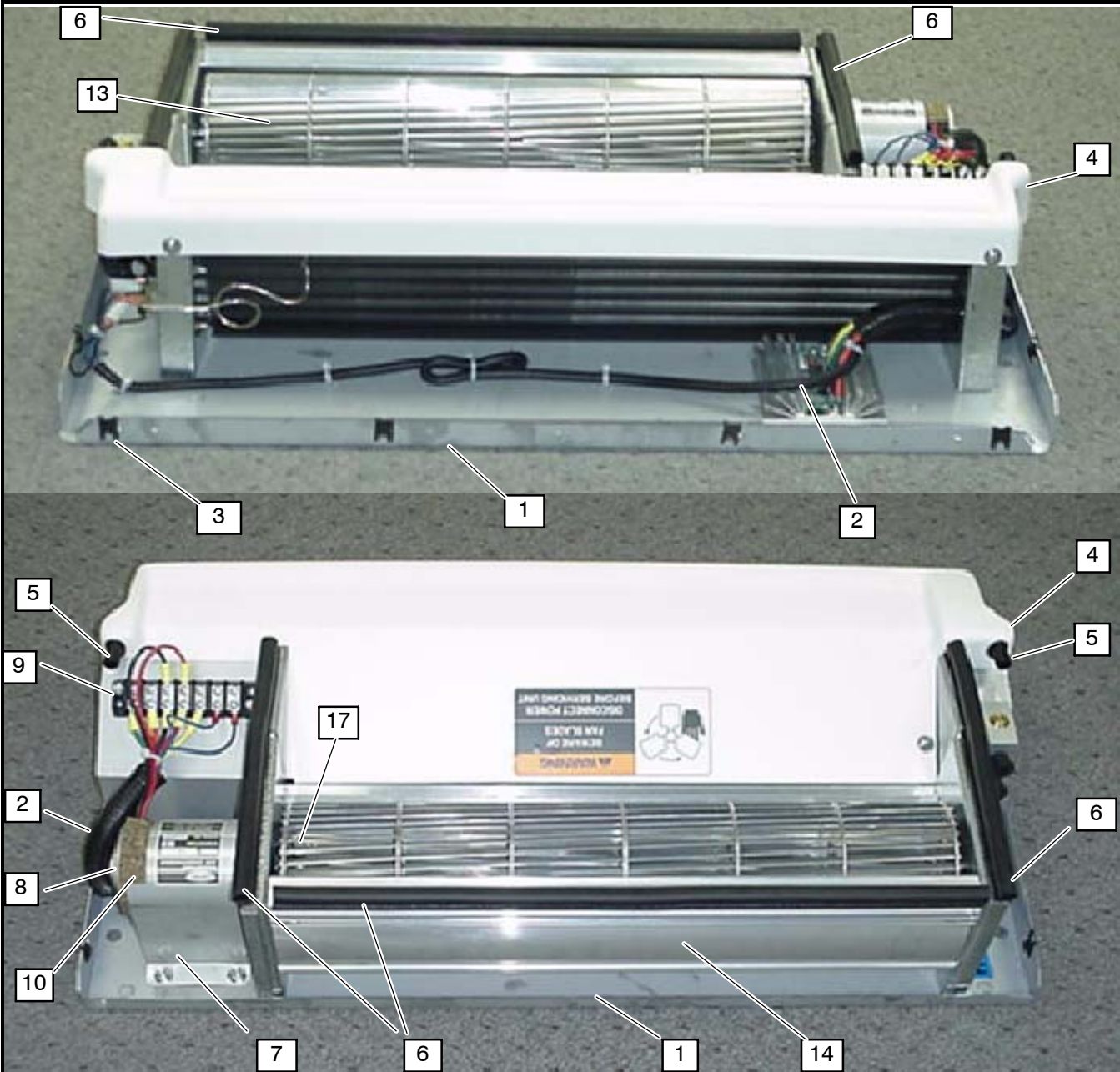
Item	Part Number	Description	Qty
1	AC022-347-S	Cover Assembly, Evaporator, Beige	1
	79-62072-00	Cover Assembly, Evaporator, White	1
	79-62072-01	Cover Assembly, Evaporator, Gray	1
2	AC022-282	Trim Strip, Beige	1
	AC022-282-1	Trim Strip, White	1
	AC022-282-2	Trim Strip, Gray	1
3	AC801-415	Flexible Trim, Black X FT	5
4	AC022-251	Grill, Air Inlet, Painted (Black)	1
5	AC401-320	Louver Assembly, Air Outlet, (3 3/8 Inch X 14 3/8 Inch)	1
6	AC022-310-S	Drain Pan Assembly, (Foamed)	1
7	AC022-309-S	Coil Assembly, Without Heat	1
	AC022-472-S	Coil Assembly, With Heat	1
8	14-00301-03	Thermal Expansion Valve, R134a	1
9	AC201-501	Thermostat, Freeze-Up	1
10	AC401-221	Blower Assembly, Dual, 12 Volt	1
	AC401-222	Blower Assembly, Dual, 24 Volt	1
11	AC022-318	Harness, Unit, EM-2, 12 VDC	1
	AC022-453	Harness, Unit, EM-2, 24 VDC	1
12	76-62019-00	Resistor Kit, (1.8 Ohm, 4 Prong)	1
13	AC801-451	Filter, Return Air, (35 X 7 1/4 Inch)	1
14	AC020-009	Channel, Mounting	2
15	34-01310-01	Bolt, Carriage, 3/8-16 X 4 Inch, Full Thread, GD-8, Zinc Plated	4
16	AC801-202	O-Ring, 1/2 Inch	2

1.2.4 EVAPORATOR, EM-2, GEN 4, FREE BLOW



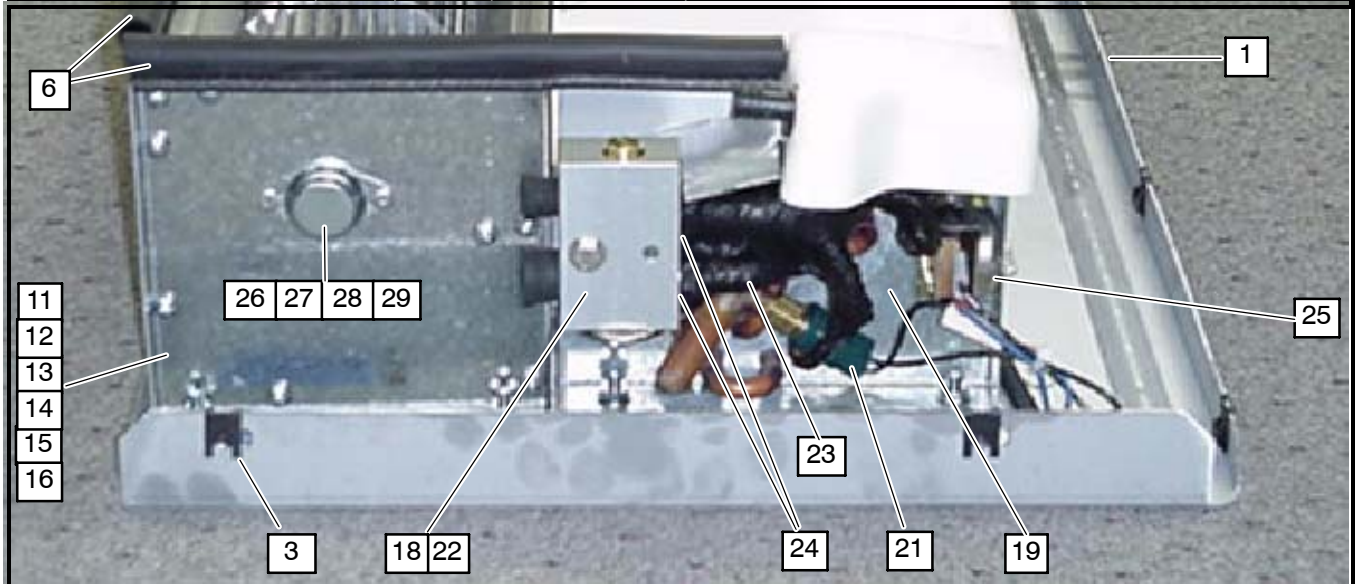
Item	Part Number	Description	Qty
1	79-62072-00	Cover Assembly, White	1
	79-62072-01	Cover Assembly, Gray	1
	N/A	Cover Assembly, Beige, (AC022-346-S)	1
2	68-62576-00	Trim Strip, Beige	1
	68-62576-01	Trim Strip, White/Gray	1
3	AC801-415	Flexible Trim, Black X FT	5
4	AC022-251	Grill, Air Inlet, Painted (Black)	1
5	AC401-320	Louver Assembly, Air Outlet, (3 3/8 Inch X 14 3/8 Inch)	1
6	AC022-712-S	Drain Pan Assembly, (Foamed)	1
7	AC022-313	Baffle, Foam, EM-2 Drain Pan	1
8	AC022-708-S	Coil Assembly	1
	AC022-719-S	Coil Assembly, With Heat	1
	08-62059-00	Coil Assembly, With Heat, With Low Pressure Switch Connection	1
	08-62060-00	Coil Assembly, With Low Pressure Switch Connection	1
9	14-00301-03	Thermal Expansion Valve, R134a	1
10	AC201-501	Thermostat, Freeze-Up	1
11	AC401-232	Assembly, Blower, Dual, 12 Volt	1
	AC401-233	Assembly, Blower, Dual, 24 Volt	1
12	AC022-711	Harness, Unit, EM-2, 12 VDC	1
	AC022-718	Harness, Unit, EM-2, 24 VDC	1
13	76-62019-00	Resistor Kit, (1.8 Ohm, 4 Prong)	1
14	AC801-451	Filter, Return Air, (35 X 7 1/4 Inch)	1
15	AC020-009	Channel, Mounting	2
16	34-01310-01	Bolt, Carriage, 3/8-16 X 4 Inch, Full Thread, GD-8, Zinc Plated	4
17	AC801-202	O-Ring, 1/2 Inch	2
18	34-00588-13	Washer, Flat, 3/8-16, Zinc Plated	4
19	34-00361-13	Nut, Hex, Lock, (Esna), 3/8-16, Zinc Plated	4

1.2.5 EVAPORATOR, EM-2, REAR MOUNT, GEN V



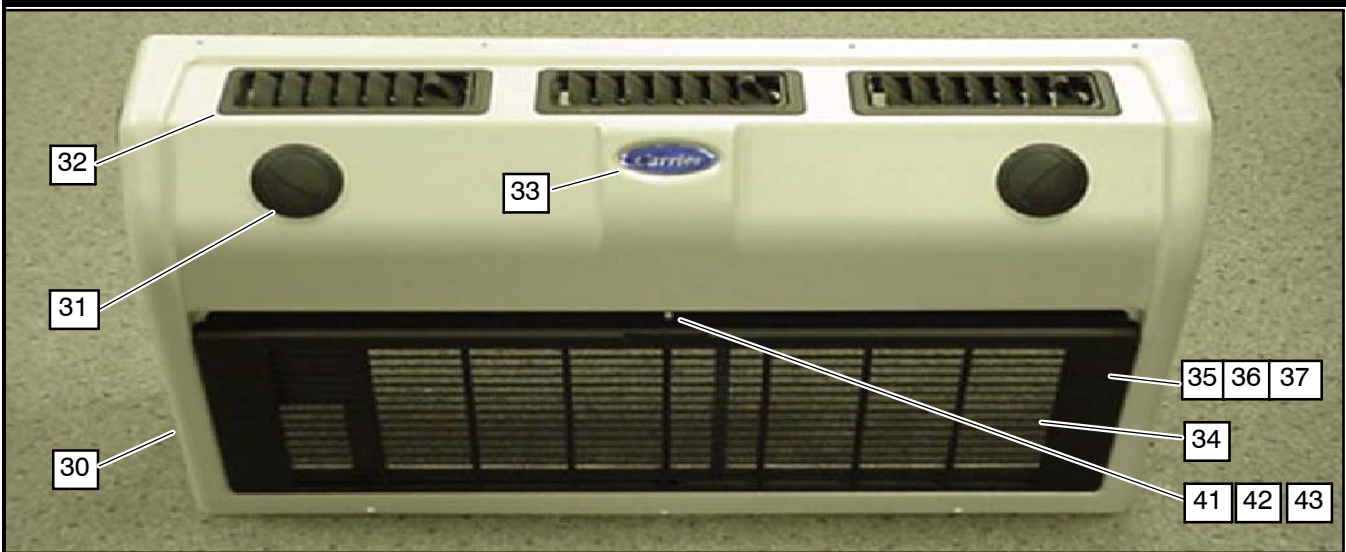
Item	Part Number	Description	Qty
1	68-62852-00	Top Panel, EM-2	1
2	22-62099-00	Harness Assembly, Evap., With Speed Control, (12-00533-00, NSS)	1
	22-62168-00	Harness Assembly, Evap., 3 Speed	1
3	AC701-123	Tinnerman Clip, High Torque, #10AB	8
4	79-62094-01	Drain Pan Assembly, EM-2 - Includes:	1
5	58-62159-00Tube, Plastic, Drain	2
6	58-62064-00F25	Trim Seal, 1/8 Inch Grip, (25 Foot Roll)	1
7	68-62725-00	Bracket, Motor Mount	1
8	54-00621-01	Motor, Evaporator, EM-2, 12 VDC, (GEN V)	1
	54-00621-04	Motor, Evaporator, EM-2, 24 VDC, (GEN V)	1
9	22-62141-00	Terminal Block, 7 Position, (30 Amp)	1
10	42-62052-00	Gasket, Motor, (GEN V)	1

1.2.5 EVAPORATOR, EM-2, GEN V, REAR MOUNT, Continued



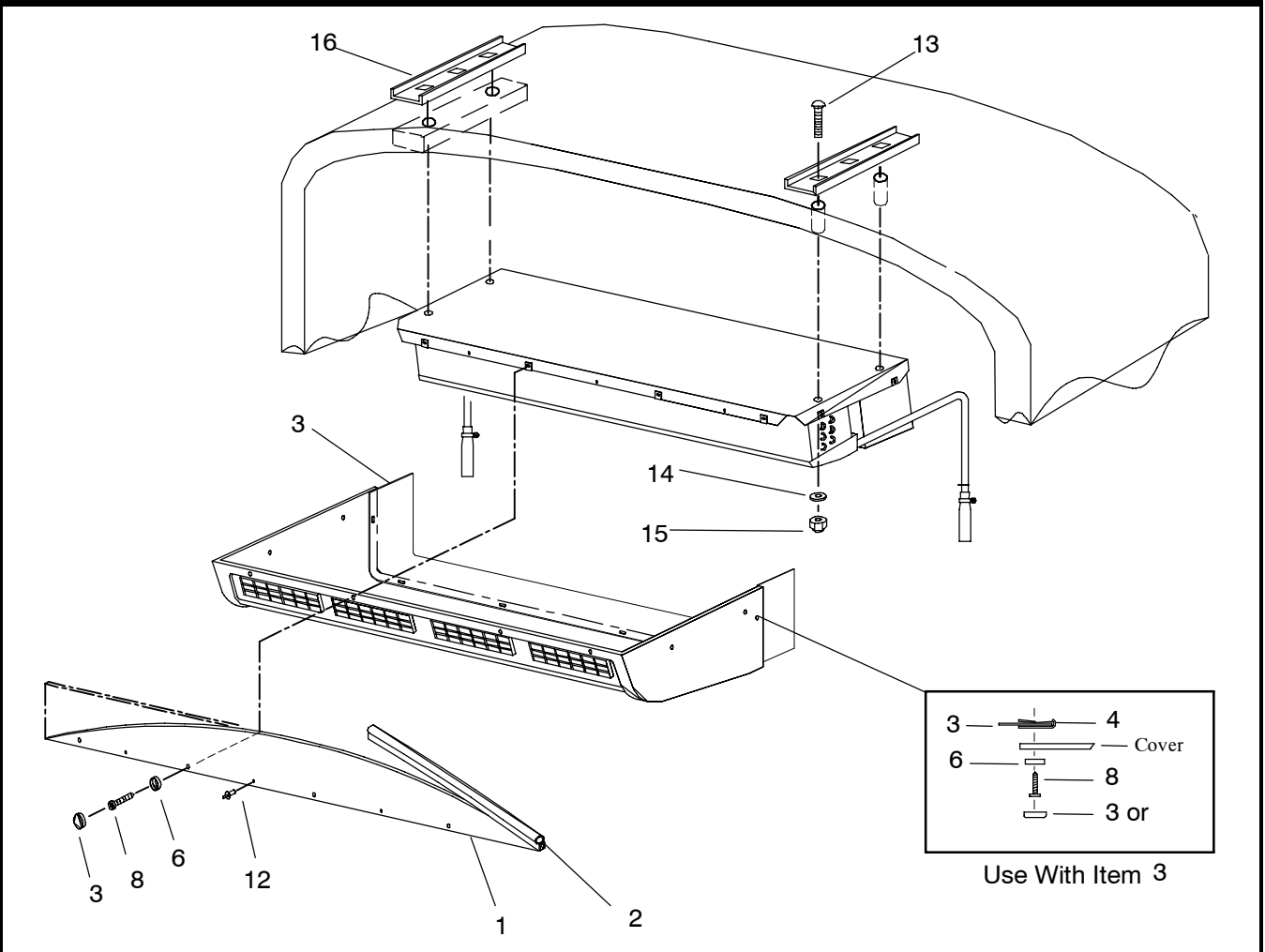
Item	Part Number	Description	Qty
1	68-62852-00	Top Panel, EM-2	1
11	NSS	Blower Housing & Gasket Assembly (79-62079-01) - Includes:	1
12	NSSBlower Housing & Wheel Assembly (38-00564-01) - Includes:	1
13	38-00564-51Blower Wheel	1
14	38-00564-61Blower Housing	1
15	42-62118-00Gasket, Mounting, Blower Housing, 1/8 Inch Neoprene	2
16	42-62117-01Gasket, Blower Housing, 3/16 Inch Neoprene	1
17	34-00482-05Set Screw, Cup Point, 1/4-28, SS	1
18	AC701-101	Tinnerman Clip, High Torque, 1/4-20	1
3	AC701-123	Tinnerman Clip, High Torque, #10AB	8
19	79-02358-01	Coil Assembly. Evaporator, EM-2 - Includes:	1
20	08-62031-01Coil Assembly. EM-2	1
21	AC201-412Switch, Low Pressure	1
22	14-00301-03Valve, Thermal Expansion	1
23	42-00032-01Tape, Insulation, Presstite, 2.00 X 48.00 Inches Long	1
24	AC801-202O-Ring, 1/2 Inch	2
25	12-00547-00	Thermostat, Freeze-Up, Non Adjustable	1
6	58-62064-00F25	Trim Seal, 1/8 Inch Grip, (25 Foot Roll)	1
N/S	22-62169-00	Resistor, 220 W, .820 OHM	1
26	76-62257-00	Blower Housing & Boot Repair Kit - Includes:	1
27	38-00564-70Housing, Bearing, Blower Wheel	1
28	38-00564-71Boot, Rubber, Blower Wheel	1
29	AC701-401Pop Rivet, 3/16, Steel	2

1.2.5 EVAPORATOR, EM-2, GEN V, REAR MOUNT, Cont.inued



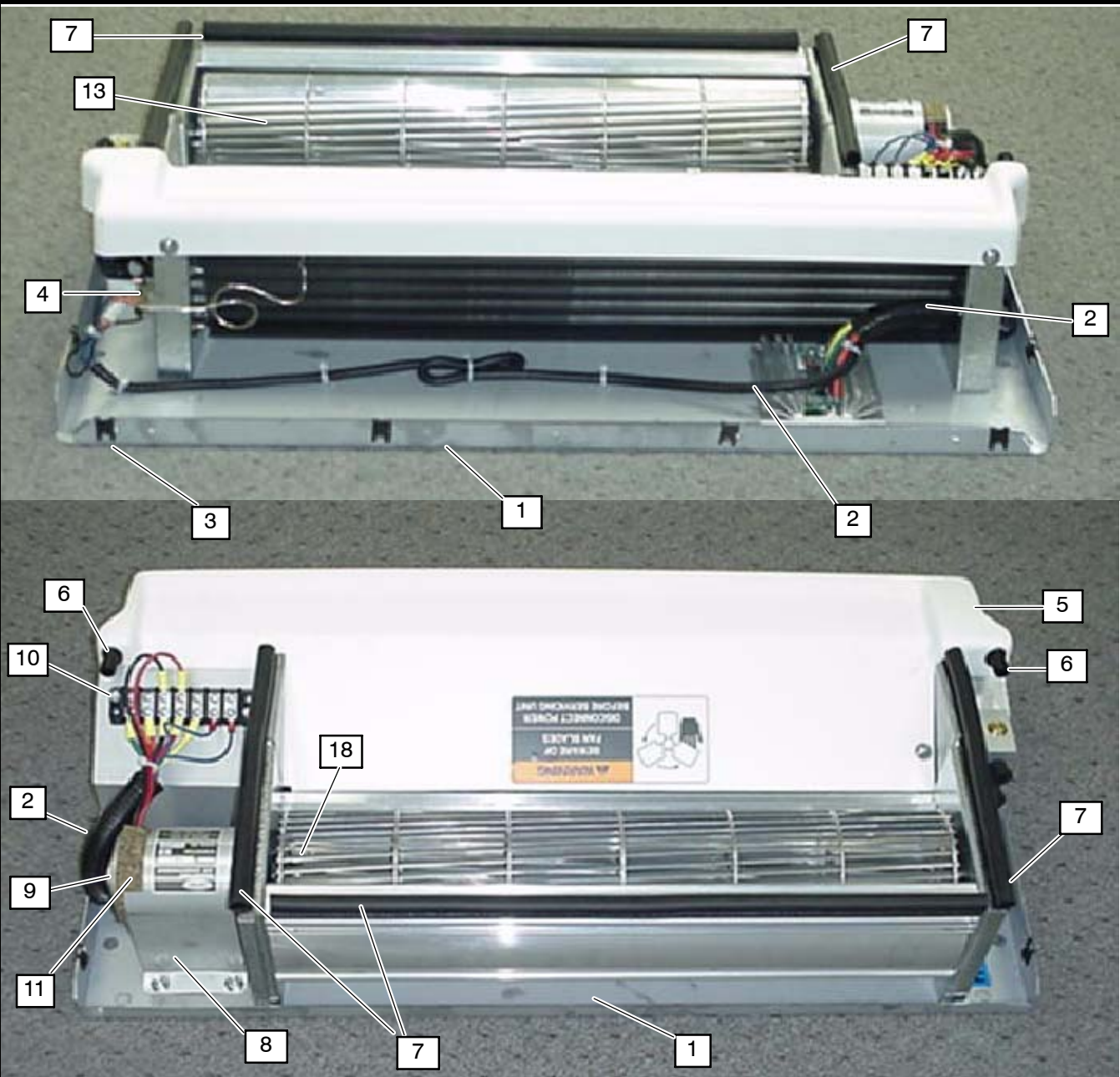
Item	Part Number	Description	Qty
30	79-62044-01	Cover Assembly, Complete, Rear Mount, White	1
	79-62044-02	Cover Assembly, Complete, Rear Mount, Gray	1
31	58-01385-00	Louver, Evaporator, 3 Inch (Requires Retaining Ring 58-01385-01)	2
	58-01385-01	Ring, Retaining, Louver (Used With Louver 58-01385-00)	2
32	58-62042-00	Louver, Rectangle (8.0 X 3.0 Inches)	3
33	AC022-289	Emblem, Carrier	1
34	38-00573-02	Filter, Air, EM-2, (GenV)	1
35	76-50129-00	Grill Kit, EM-2, Includes: (Replaces Grill 68-62868-00 & Channel 68-62869-00)	1
36	68-63275-02 Grill, Evaporator, EM-2, GEN V, (Painted)	1
37	68-63276-02 Doorl, Filter, EM-2, Gen V, (Painted)	1
38	68-63277-02 Baffle, Cover, EM-2, Gen V	1
39	AC701-403 Rivet, Pop, 1/8 Inch, Steel, (Fasten Door to Grill)	2
40	AC701-400 Rivet, Pop, 3/16 Inch, Steel, (Fasten Baffle & Grill to Cover)	7
N/S	98-50618-00 Instructions, Grill, Door & Baffle Installation	1
41	34-62019-00	Receptacle, 1/4 Turn	1
42	34-62020-00	Stud, 1/4 Turn, .25 Grip Range	1
43	34-06169-01	Washer, Retaining, .215 I. D.	1

1.2.6 INSTALLATION COMPONENTS, EM-2, GEN V, REAR MOUNT



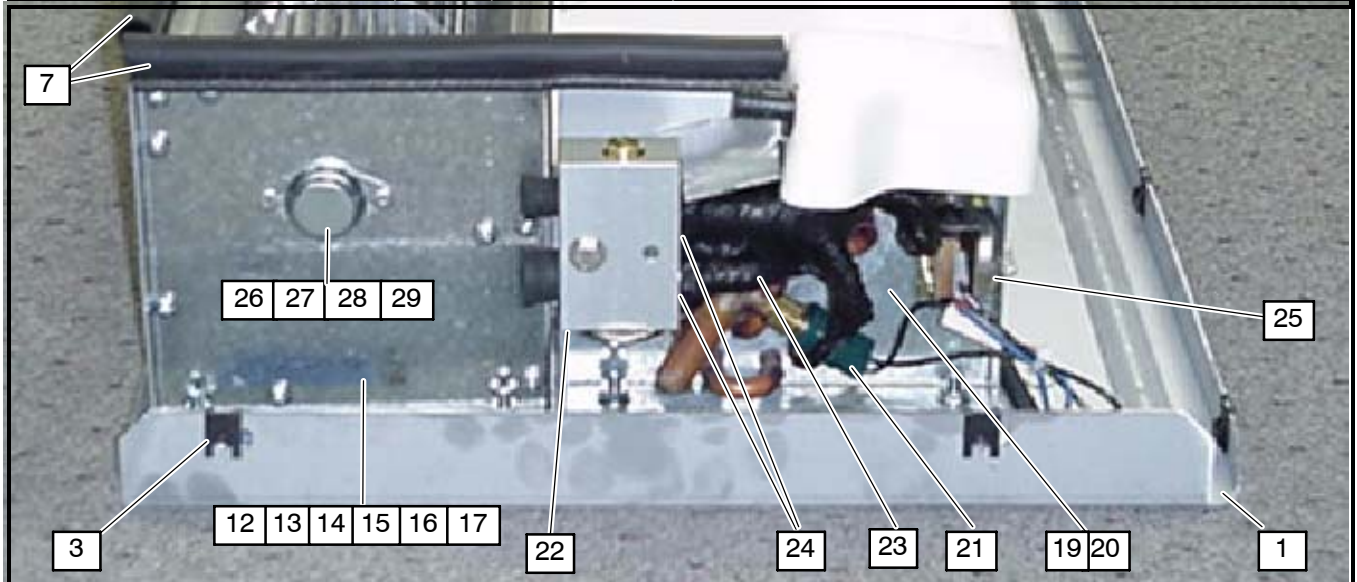
Item	Part Number	Description	Qty
1	68-62880-00	Strip, Trim, Gray One Side & White Other Side, EM-1	1
2	AC801-415	Gasket, Trimlock, Black	9 Ft.
3	68-62912-00	Panel, Gray, Rear (Requires Additional Item #5)	1
	68-62912-01	Panel, White, Rear (Requires Additional Item #9)	1
4	AC701-123	Tinnerman Clip, Hi Torque, #10 AB	5
5	76-62103-00	Hardware Kit, Cover Mounting To Unit, Gray, Includes:	1
6	AC801-529 Washer, Snap Cap	8
7	AC801-532 Snap Cap, Gray	8
8	34-62046-00 Screw, Pan Head, Phillips, #10 X 5/8 Inch, AB, Black	8
9	76-62103-04	Hardware Kit, Cover Mounting To Unit, White, Includes:	1
6	AC801-529 Washer, Snap Cap	8
10	AC801-531 Snap Cap, White	8
8	34-62046-00 Screw, Pan Head, Phillips, #10 X 5/8 Inch, AB, Black	8
11	76-62103-01	Hardware Kit, Unit Mounting To Channels, Includes:	1
12	AC701-403 Rivet, Pop, 1/8-Steel	3
13	34-01310-01 Bolt, Carriage, 3/8-16 X 4 Inches, Full Thread, GD-8, Zinc Plated	4
14	34-00588-13 Washer, Flat, 3/8 Inch, Zinc Plated	4
15	34-00361-13 Nut, Hex, Lock, 3/8-16, Zinc Plated	4
16	AC020-009	Channel, Mounting, 3/16 X 30 Inches Long	2
	AC021-360	Channel, Mounting, 3/16 X 15.75 Inch, (Model 77-62212-80 & -82 Only)	2

1.2.7 EVAPORATOR, EM-2, GEN V, SIDE MOUNT



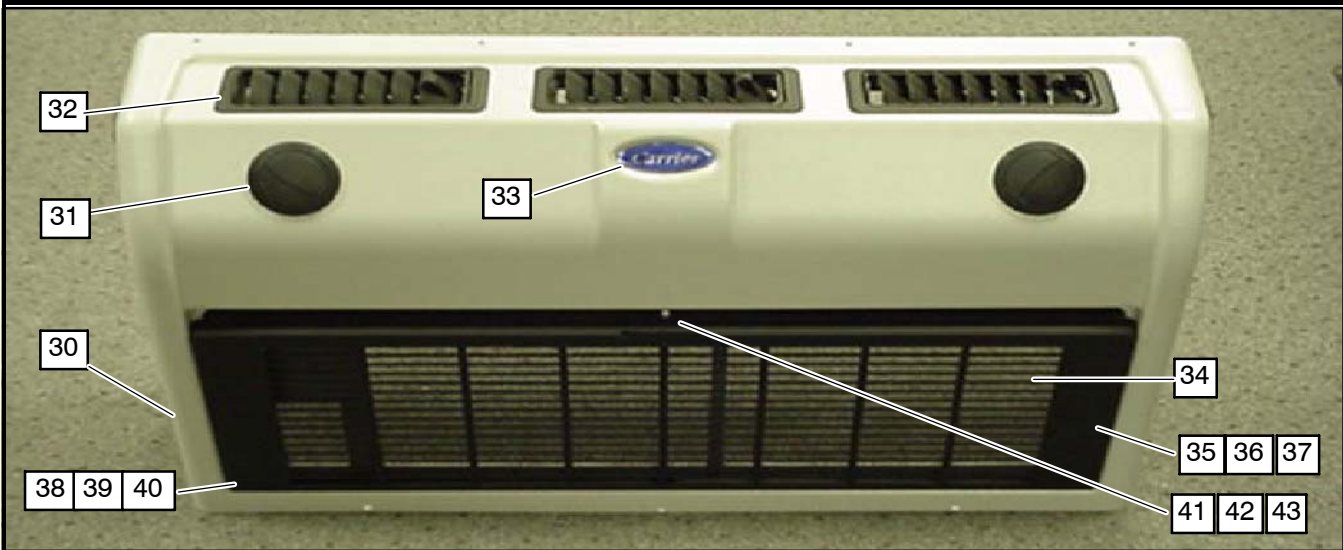
Item	Part Number	Description	Qty
1	68-62852-00	Top Panel, EM-2	1
2	22-62099-00	Assembly, Harness, Evap., With Speed Control, (12-00533-00, NSS)	1
	22-62168-00	Assembly, Harness, Evap., 3 Speed	1
3	AC701-123	Tinnerman Clip, High Torque, #10AB	8
4	12-00547-00	Thermostat, Freeze-Up, Non-Adjustable	1
5	79-62094-01	Drain Pan Assembly, EM-2 - Includes:	1
6	58-62159-00Tube, Plastic, Drain	2
7	58-62064-00F25	Trim Seal, 1/8 Inch Grip, (25 Foot Roll)	1
8	68-62725-00	Bracket, Motor Mount	1
9	54-00621-01	Motor, Evaporator, EM-2, 12 VDC, (GEN V)	1
	54-00621-04	Motor, Evaporator, EM-2, 24 VDC, (GEN V)	1
10	22-62141-00	Terminal Block, 7 Position, (30 Amp)	1
11	42-62052-00	Gasket, Motor, (GEN V)	1

1.2.7 EVAPORATOR, EM-2, GEN V, SIDE MOUNT, Continued



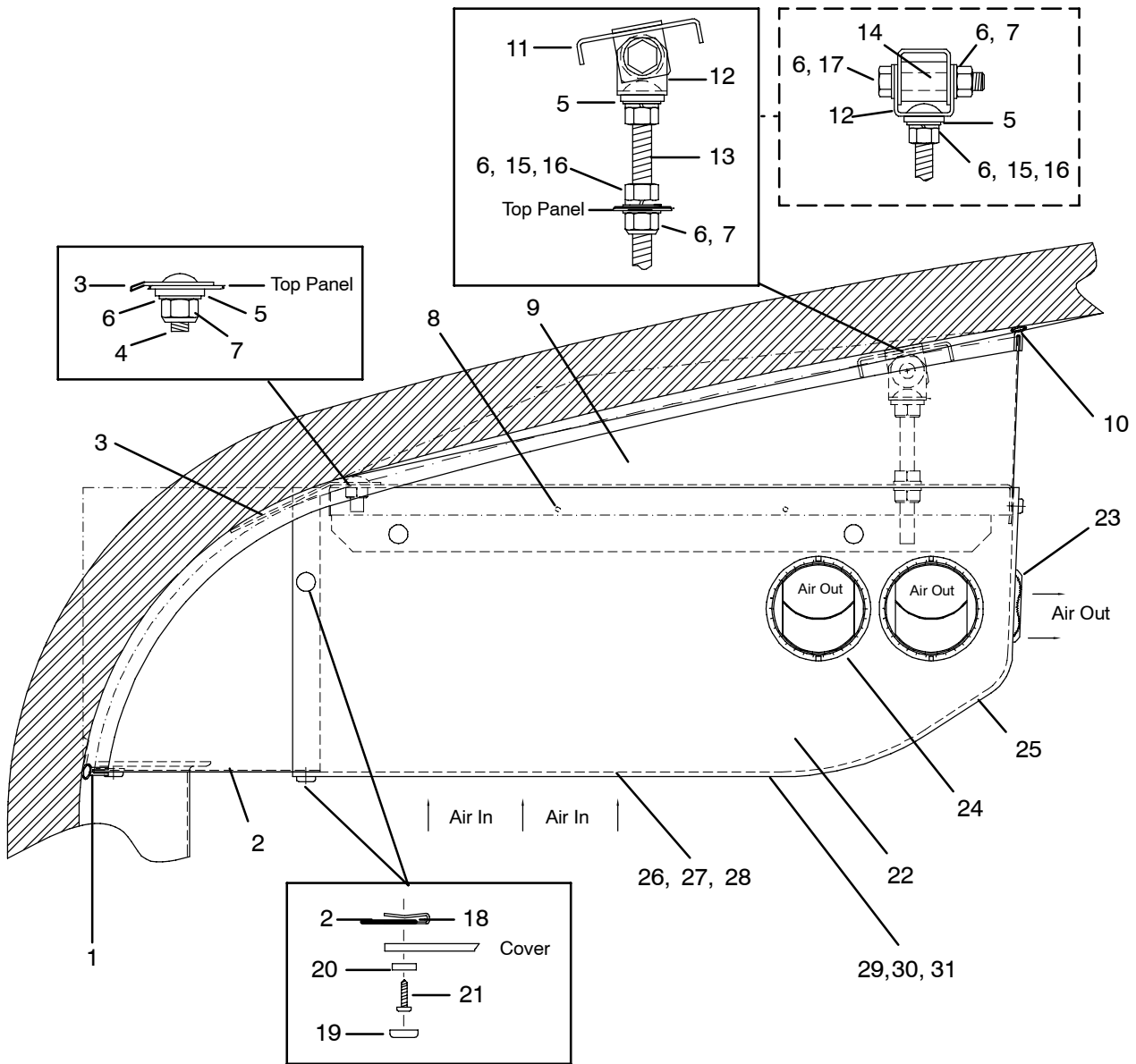
Item	Part Number	Description	Qty
1	68-62852-00	Top Panel, EM-2	1
12	NSS	Blower Housing & Gasket Assembly, (79-62079-01) Includes:	1
13	NSSBlower Wheel & Wheel Assembly (38-00564-01) Includes:	1
14	38-00564-51Blower Wheel	1
15	38-00564-61Blower Housing	1
16	42-62118-00Gasket, Mounting, Blower Housing, 1/8 Inch Thick Neoprene	2
17	42-62117-01Gasket, Blower Housing, 3/16 Inch Thick Neoprene	1
18	34-00482-05Set Screw, Cup Point, 1/4-28, SS	1
3	AC701-123	Tinnerman Clip, High Torque, #10AB	8
19	79-02358-01	Coil Assembly. Evaporator, EM-2	1
20	08-62031-01Coil Assembly. EM-2	1
21	AC201-412Switch, Low Pressure	1
22	14-00301-03Block Valve, (Thermal Expansion)	1
23	42-00032-01Tape, Insulation, Presstite, 2.00 X 48.00 Inches Long	1
24	AC801-202O-Ring, 1/2 Inch HNBR	2
25	12-00547-00	Thermostat, Freeze-Up, Non Adjustable	1
7	58-62064-00F25	Trim Seal, 1/8 Inch Grip, (25 Foot Roll)	1
N/S	22-62169-00	Resistor, 220 W, .820 Ohm	1
26	76-62257-00	Bearing Housing & Boot Repair Kit - Includes:	1
27	38-00564-70Housing, Bearing, Blower Wheel	1
28	38-00564-71Boot, Rubber, Blower Wheel	1
29	AC701-401Pop Rivet, 3/16, Steel	2

1.2.7 EVAPORATOR, EM-2, GEN V, SIDE MOUNT, Continued



Item	Part Number	Description	Qty
30	79-62045-01	Cover Assembly, Complete, Side Mount, White	1
	79-62045-02	Cover Assembly, Complete, Side Mount, Gray	1
31	58-01385-00	Louver, Evaporator, 3 Inch (Requires Retaining Ring 58-01385-01)	6
	58-01385-01	Ring, Retaining, Louver (Used With Louver 58-01385-00)	6
32	58-62042-00	Louver, Rectangle (8.0 X 3.0 Inches)	3
33	AC022-289	Emblem, Carrier	1
34	38-00573-02	Filter, Air, EM-2, (GenV), 27.92 X9 Inches	1
35	76-50129-00	Grill Kit, EM-2, Includes: (Replaces Grill 68-62868-00 & Channel 68-62869-00)	1
36	68-63275-02 Grill, Evaporator, EM-2, GEN V, (Painted)	1
37	68-63276-02 Door, Filter, EM-2, Gen V, (Painted)	1
38	68-63277-02 Baffle, Cover, EM-2, Gen V	1
39	AC701-403 Rivet, Pop, 1/8 Inch, Steel, (Fasten Door to Grill)	2
40	AC701-400 Rivet, Pop, 3/16 Inch, Steel, (Fasten Baffle & Grill to Cover)	7
N/S	98-50618-00 Instructions, Grill, Door & Baffle Installation	1
41	34-62019-00	Receptacle, 1/4 Turn	1
42	34-62020-00	Stud, 1/4 Turn, .25 Grip Range	1
43	34-06169-01	Washer, Retaining, .215 I. D.	1

1.2.8 INSTALLATION COMPONENTS, EM-2, GEN-V, SIDE MOUNT

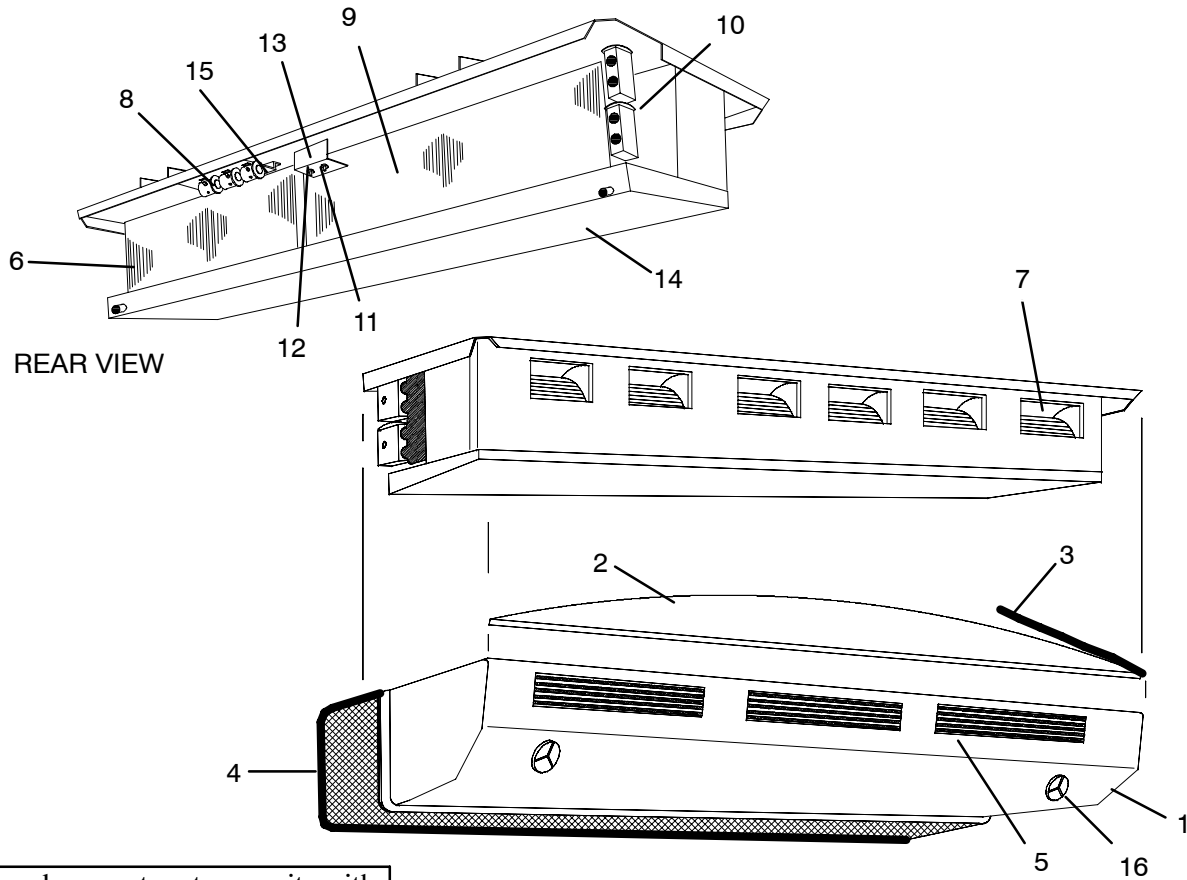


Item	Part Number	Description	Qty
1	AC020-179P	Support Angle	1
2	68-62912-00	Trim Strip, Rear, Gray	1
	68-62912-01	Trim Strip, Rear, White	1
3	68-62909-00	Rear Hanger, Side Mount	1
4	34-01310-00	Bolt, Carriage, Round Head, 3/8-16 X 1-1/4 Inch, Zinc plated	2
5	AC601-602	Spacer, Steel, 7/8 OD X 1/2 ID X 1/8 InchLong	2
6	34-00588-13	Washer, Flat, 3/8 Inch, Zinc Plated	8
7	34-00361-13	Nut, Hex, Lock, 3/8-16, Zinc Plated	6
8	AC701-403	Rivet, Pop, 1/8 Inch, Steel	4
9	68-62915-00	Trim Strip, Side, Gray	1
	68-62915-01	Trim Strip, Side, White	1
10	AC801-415	Gasket, Trimlock, Black	24 Ft.
11	86-62248-00	Bracket, Weld Assembly, Front Hanger	1

1.2.8 INSTALLATION COMPONENTS, EM-2, GEN-V, SIDE MOUNT, Continued			
Item	Part Number	Description	Qty
12	AC021-223	Bracket, Hanger, Front	2
13	34-01310-02	Bolt, Carriage, Round Head, 3/8-16 X 6 Inch, Zinc Plated, Full Thread	2
14	AC601-616	Spacer, Steel, 7/8 OD X 1/2 ID X 1 Inch Long	2
15	34-00368-13	Washer, Split Lock, 3/8 Inch, Zinc Plated	6
16	34-00363-13	Nut, Hex, 3/8-16, Zinc Plated	4
17	17-40034-05	Bolt, Hex Head, 3/8-16 X 2 Inch, Zinc Plated, Grade 8	2
18	AC701-123	Tinnerman Clip, Hi Torque, #10 AB	8
19	AC801-531	Cap, Snap, White	8
	AC801-532	Cap, Snap, Gray	8
20	AC801-529	Washer, Snap Cap	8
21	34-62046-00	Screw, Pan Head Phillips, #10 X 5/8 Inch, AB, Black	8
22	79-62045-01	Cover Assembly, White, EM-2	1
	79-62045-02	Cover Assembly, Gray, EM-2	1
23	58-62042-00	Louver, Rectangle (8.0 X 3.0 Inches)	3
24	58-01385-00	Louver, Evaporator, 3 Inch (Requires Retaining Ring 58-01385-01)	6
	58-01385-01	Ring, Retaining, Louver (Used With Louver 58-01385-00)	6
25	AC022-289	Emblem, Carrier	1
26	38-00573-02	Filter, Air, 36.5 X 9.0 Inches, EM-2, (GenV)	1
27	68-62868-00	Grill, Evaporator, EM-2, GEN V, (Painted)	1
28	68-62869-00	Channel, Filter, EM-2, GEN V, (Painted)	1
29	34-06169-01	Washer, Retaining	1
30	34-62020-00	Stud, 1/4 Turn, .25 Grip Range	1
31	34-62019-00	Receptacle, 1/4 turn	1

SECTION 1.3 EM-3 EVAPORATORS

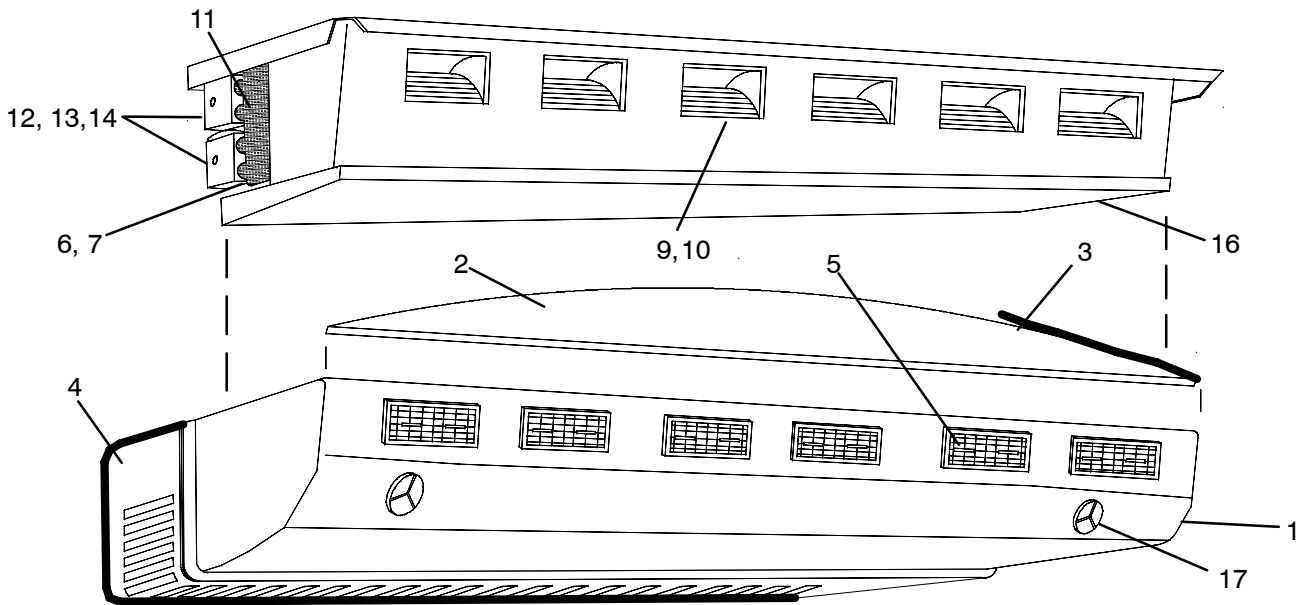
1.3.1 EVAPORATOR, EM-3, GEN-1, FREE BLOW



For replacement parts on units with serial #31618 to #3-301035

Item	Part Number	Description	Qty
1	N/A	Cover Assembly, Beige (AC020-071)	1
2	AC020-069	Trim Strip, (Beige)	1
3	AC801-404	Flexible Trim, Black, X Foot.	8
4	AC020-068	Screen, Air Inlet	1
5	AC020-013	Grill, Air Outlet,	3
6	38-00573-07	Filter, Metal	1
7	AC401-200A	Blower Assembly, Dual, 12 VDC	3
	AC401-201A	Blower Assembly, Dual, 24 VDC	3
8	AC201-800	Solenoid, Contactor, 12 VDC	3
	AC201-803	Solenoid, Contactor, 24 VDC	3
9	AC021-125	Coil Assembly	1
	AC021-048	Coil Assembly, Heat, (Optional)	1
10	AC101-100	Valve, Thermal Expansion	2
11	AC201-500	Thermostat, Return Air, (Optional)	1
12	AC201-501	Thermostat, Coil Insert	1
13	AC020-072	Bracket, Mounting, Thermostats	1
14	N/A	Drain Pan Assembly (AC020-131)	1
15	AC010-072	Bracket, Mounting, Electrical Components	1
16	58-01379-00	Louver, Ball, 2-1/4 inch, with locking ring	2

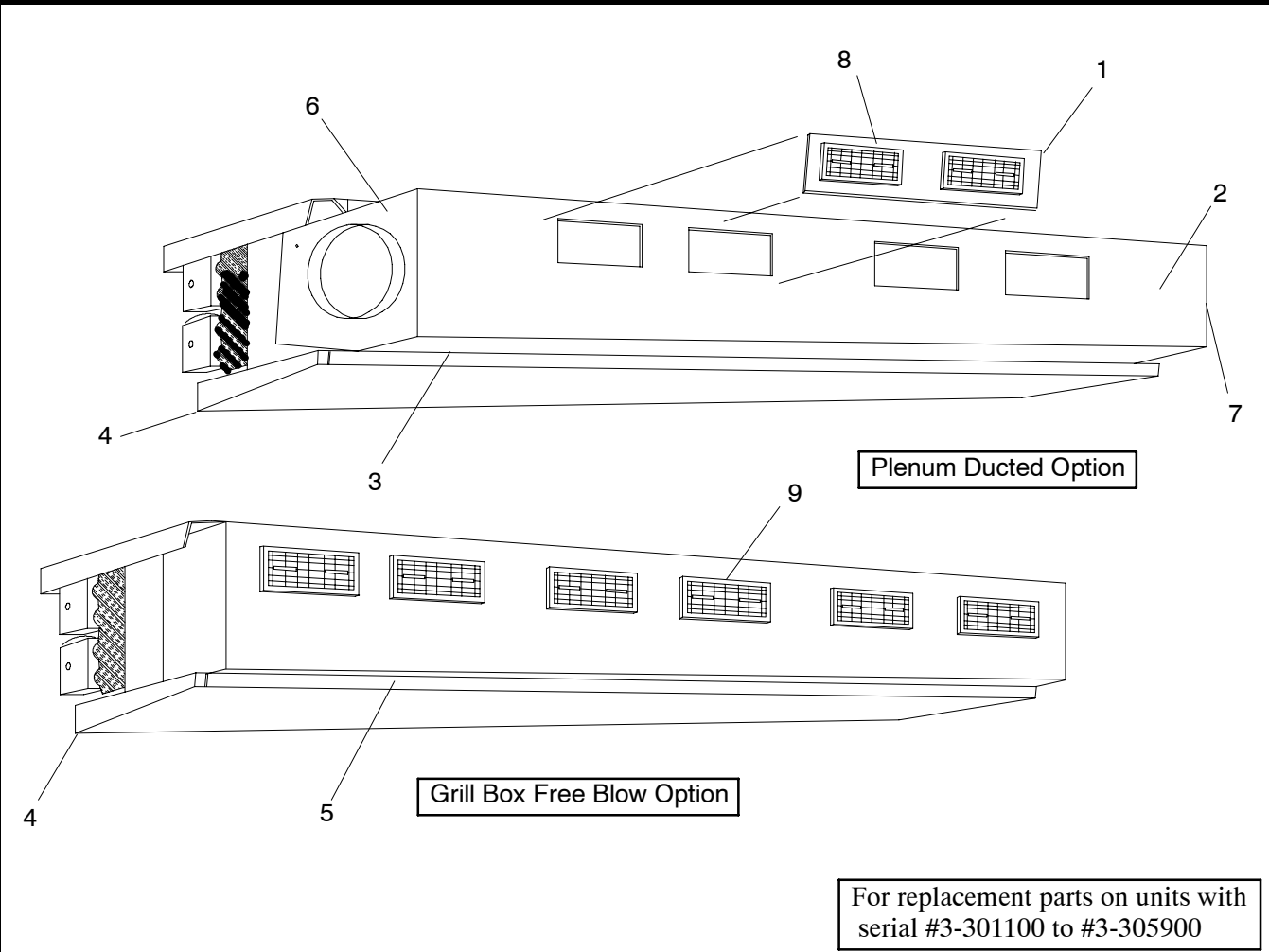
1.3.2 EVAPORATOR, EM-3, GEN-2 FREE BLOW



For replacement parts on units with serial #3-301100 to #3-305900

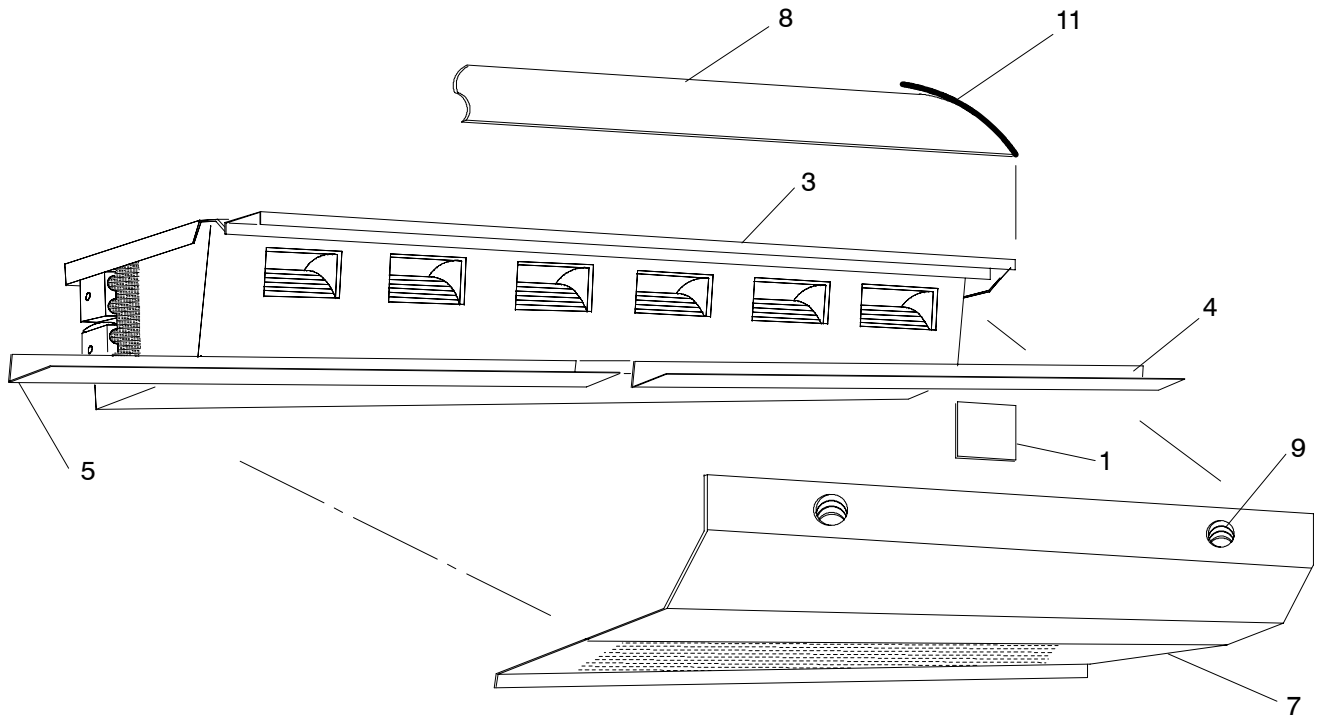
Item	Part Number	Description	Qty
1	N/A	Cover, Assembly, Beige, (AC021-012)	1
	AC021-181	Cover Assembly, Gray Noryl	1
	AC021-326	Cover Assembly, Cover, White	1
2	AC020-069	Trim Strip, (Beige)	1
3	AC801-415	Flexible Trim, Black, X Foot.	11
4	AC021-140	Grill, Air Inlet, Black	1
5	AC401-308	Louver Assembly, Air Outlet, (3 inch X 7 inch)	6
6	38-00573-07	Filter, Metal, (1/4 X 8 X 26-1/4 Inches)	2
7	AC701-107	Clip, Filter	4
8	AC401-209A	Blower Assembly Kit, 12 VDC, Includes:	1
	76-62019-00Resistor Kit, (1.8 Ohm, 4 Prong)	1
	NSSBlower Assembly, Dual, 12 VDC - Includes: (AC401-209)	1
	54-50079-00Motor, Blower, 12 VDC	1
8	AC401-210A	Blower Assembly Kit, 24 VDC, Includes:	1
	76-62019-00Resistor Kit, (1.8 Ohm, 4 Prong)	1
	NSSBlower Assembly, Dual, 24 VDC, (AC401-210)	1
9	AC021-244	Harness Assembly, EM-3, 12 VDC	1
	AC021-323	Harness Assembly, EM-3, 24 VDC	1
10	AC021-142	Bracket, Harness Stand-Off	1
11	AC021-125	Coil Assembly, R12	1
	AC021-609	Coil Assembly, R134a	1
12	AC101-100	Valve, Thermal Expansion, R12	2
	14-00301-03	Valve, Thermal Expansion, R134a	2
13	AC801-202	O-Ring, 1/2 Inch, R12/R134a	4
14	AC020-126	Bracket, Thermal Expansion Valve	1
15	AC201-501	Thermostat, Coil Insert	1
16	AC021-126	Assembly, Drain Pan	1
17	58-01379-00	Louver, Ball, 2-1/4 inch, with locking ring	2

1.3.3 PLENUM & GRILL BOX FOR EVAPORATOR EM-3, GEN 2



Item	Part Number	Description	Qty
1	AC011-026	Plate, Louver, Black	2
2	AC021-209	Panel, Plenum, Front	1
3	AC021-210	Panel, Plenum, Bottom	1
4	AC021-229	Weldment, Grill Box	1
5	AC021-230	Panel, Bottom, Grill Box	1
6	AC021-239	Plenum, Left Side, 6 Inch	1
7	AC021-240	Plenum, Right Side, 6 Inch	14
8	AC401-308	Louver, With Bezel, Black, (3 Inch X 7 Inches)	1
9	AC401-314	Louver, With Bezel, Black, (3-1/4 X 7-3/4 Inches)	2

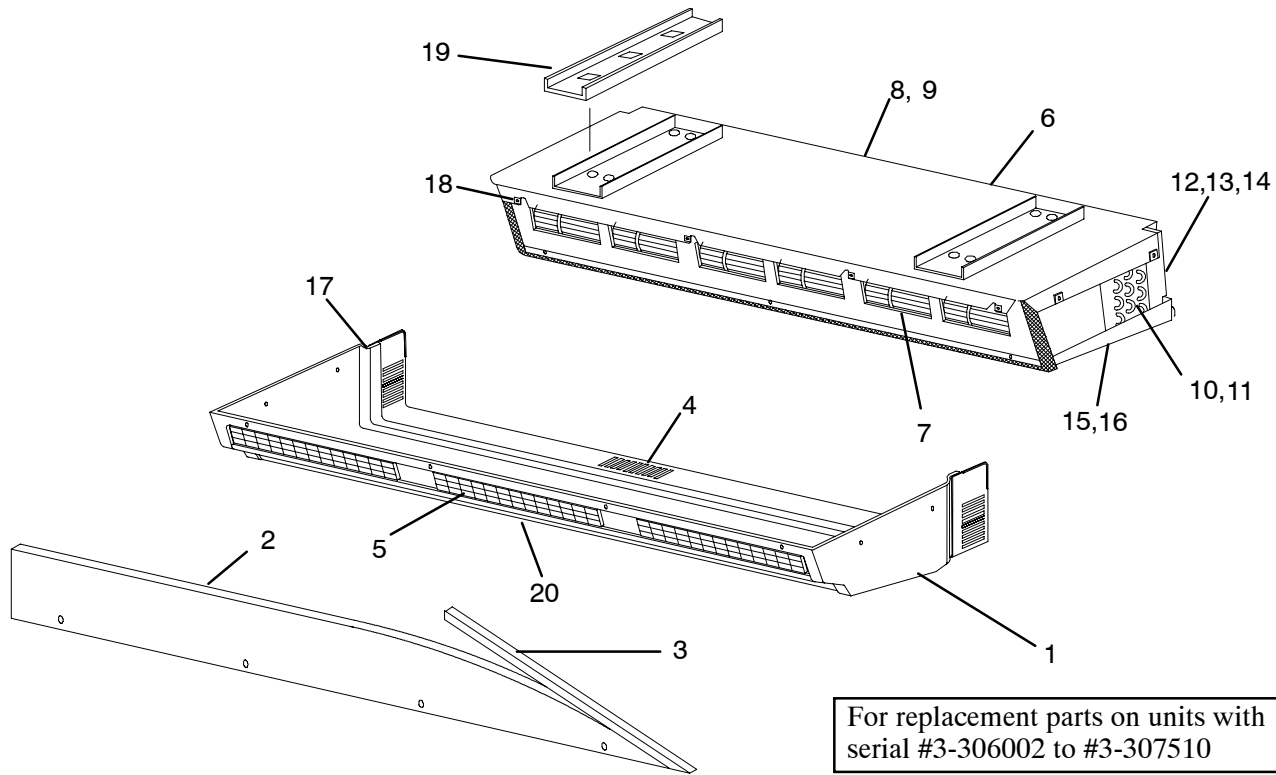
1.3.4 EVAPORATOR, EM-3, GEN 2, DUCTED



For replacement parts on units with serial #3-301100 to #3-305900

Item	Part Number	Description	Qty
1	68-62580-00	Air Block, Side, (Beige)	2
	68-62580-01	Air Block, Side, (Gray/White)	2
2	AC011-018	Angle, Mounting, End Cap	2
3	AC011-078	Channel, Support	1
4	AC011-079	Angle, Drain Pan, Right	1
5	AC011-080	Angle, Draion Pan, Left	1
6	AC011-081	Cover, 18 Inch, Side Section, (Beige)	2
	AC011-081-1	Cover, 18 Inch, Side Section, (White)	2
	AC011-081-2	Cover, 18 Inch, Side Section, (Gray)	2
7	AC011-082	Cover, 55 Inch, Center Section, (Beige)	1
	AC011-082-1	Cover, 55 Inch, Center Section, (White)	1
	AC011-082-2	Cover, 55 Inch, Center Section, (Gray)	1
8	AC020-069	Trim Strip, Beige	1
9	AC401-301	Grill, 3 Inch, Round	3
10	AC801-403	Gasket, Foam, 1-1/4 Inch 1-1/4 Inch x 25 Foot Roll	1
11	AC801-412	Trim Seal, Flexible, Black, X Foot	5 Ft.
12	AC801-415	Trim, Flexible, Black X Foot	15 Ft.

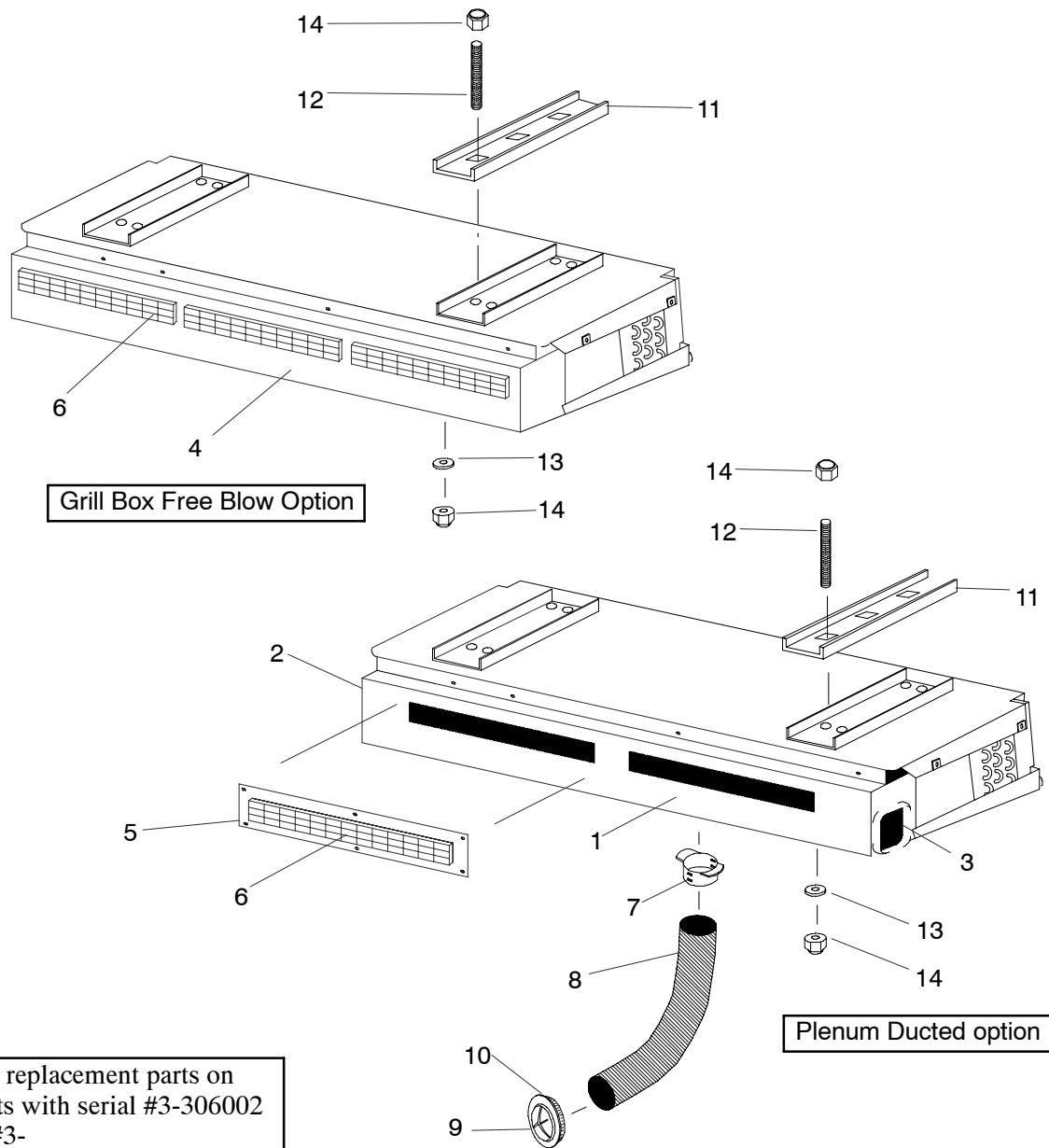
1.3.5 EVAPORATOR, EM-3, GEN-3, FREE BLOW



For replacement parts on units with serial #3-306002 to #3-307510

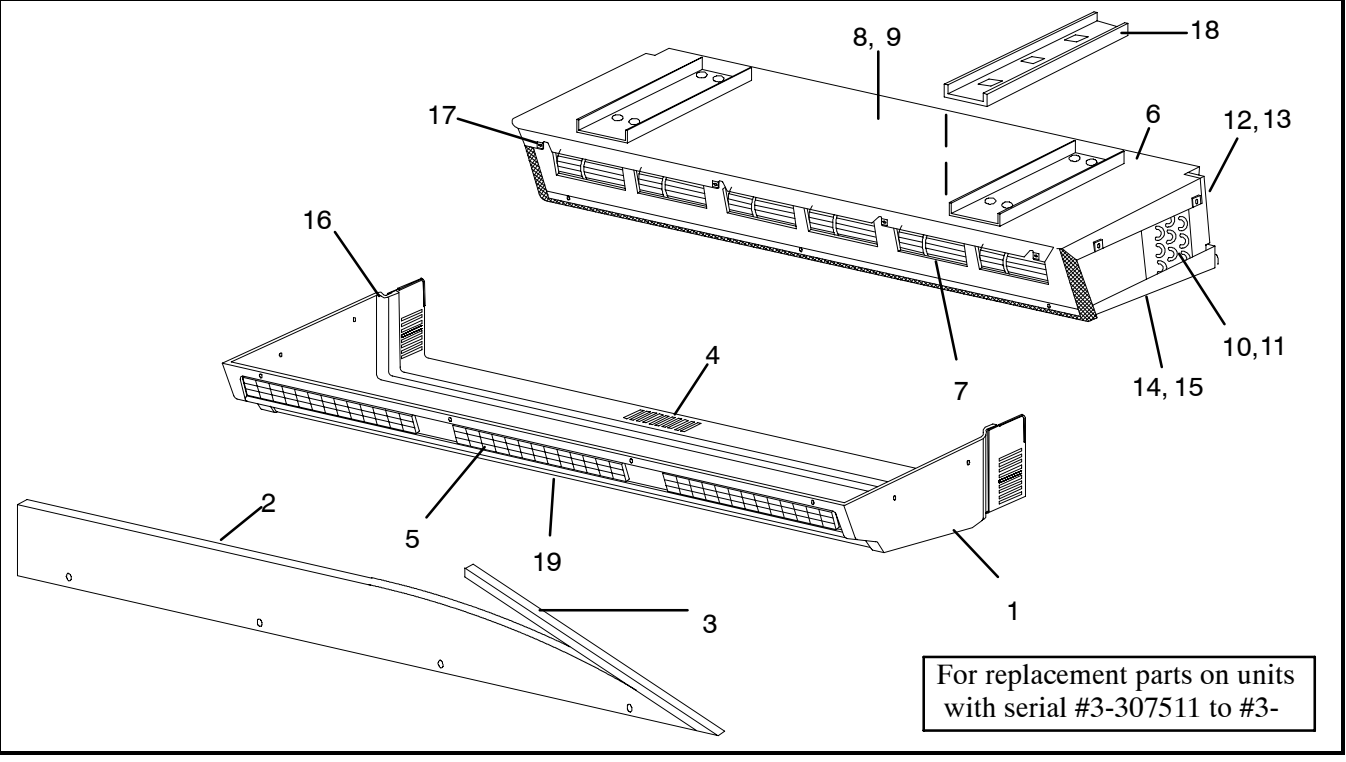
Item	Part Number	Description	Qty
1	AC022-348-S	Cover Assembly, Beige, (Standard)	1
	AC022-353-S	Cover Assembly, Gray Noryl	1
	79-62073-00	Cover Assembly, White	1
2	AC022-283	Trim Strip, Beige	1
	AC022-283-1	Trim Strip, White	1
	AC022-283-2	Trim Strip, Gray	1
3	AC801-415	Flexible Trim, Black, X Foot.	14
4	AC022-252	Grill, Air Inlet, Painted, Black	1
5	AC401-320	Louver Assembly, Air Outlet, (14-3/8 inch X 7-1/4 inch)	2
6	AC801-452	Filter, Return Air, (35 inch X 3-3/8 inch)	4
7	AC401-232	Blower Assembly, Dual, 12 VDC	3
	AC401-233	Blower Assembly, Dual, 24 VDC	3
8	76-62019-00	Resistor Kit, (1.8 Ohm, 4 Prong)	3
9	AC022-324	Harness, Unit, EM-3, 12 VDC	1
	AC022-454	Harness, Unit, EM-3, 24 VDC	1
10	AC022-320-S	Assembly, Coil, R134a, Without Heat	1
11	AC022-473-S	Assembly, Coil, With Heat, R134a	1
12	14-00301-03	Valve, Thermal Expansion, R134a	2
13	AC801-202	O-Ring, 1/2 Inch	4
14	AC201-501	Thermostat, Freeze-Up, Coil Insert	1
15	AC022-321-S	Drain Pan Assembly, (Foamed)	1
16	AC022-314	Baffel, Foam, EM_3 Drain Pan	1
17	AC801-403	Gasket, Foam, 1-1/4 inch X 1-1/4 inch X 25 Foot Roll	1
18	AC701-123	Clip, Tinnerman, High-Torque, (#10AB)	14
19	AC020-028	Channel, Mounting	2
20	AC022-289	Emblem, Carrier	1

1.3.6 EVAPORATOR, EM-3, GEN 3 & GEN 4, DUCTED, WITH PLENUM OR GRILL BOX



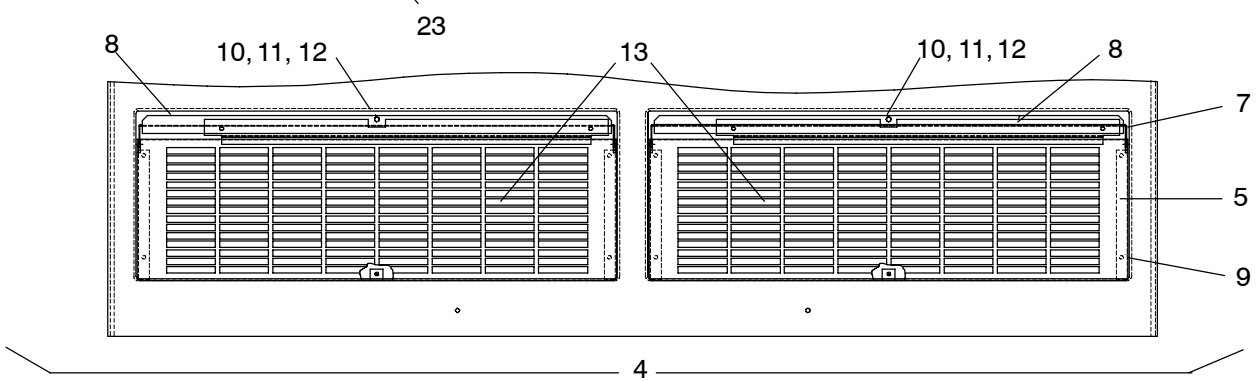
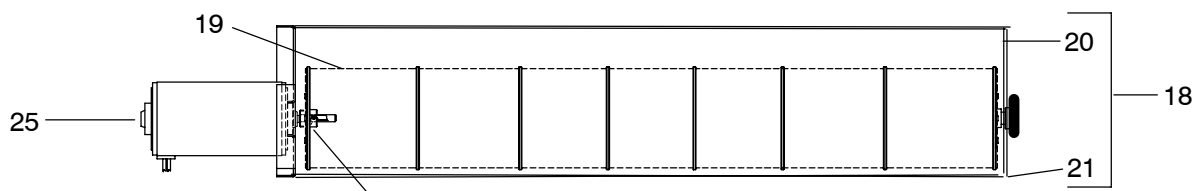
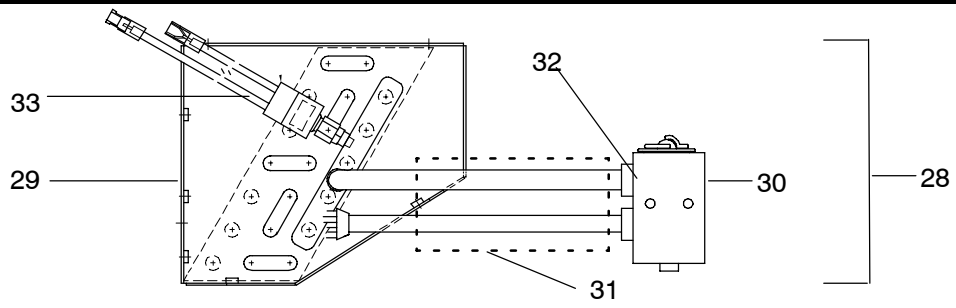
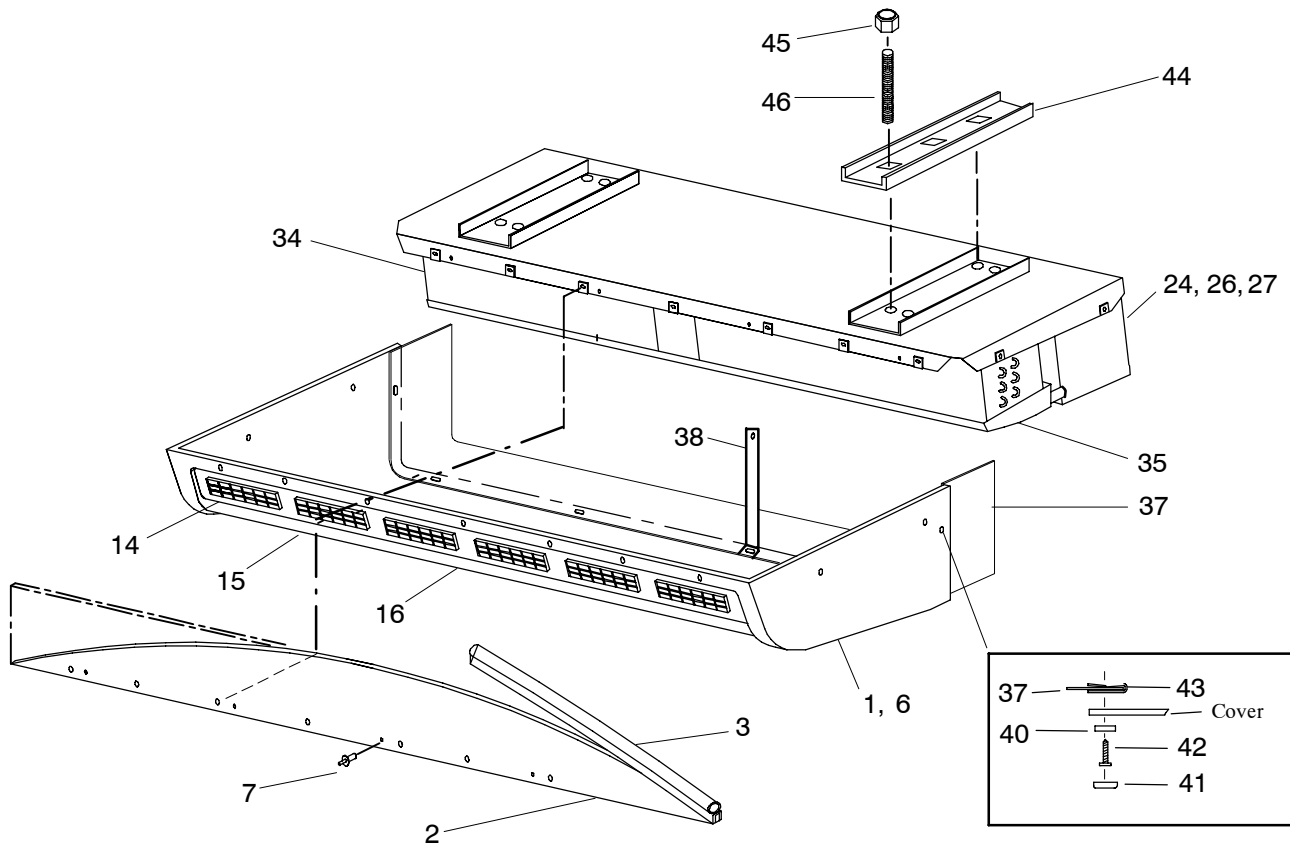
Item	Part Number	Description	Qty
1	AC022-304	Plenum, Front	1
2	AC022-332	Weldment, Plenum, Left Side	1
3	AC022-333	Weldment, Plenum, Right Side	1
4	AC022-342P	Grill Box, Front, (Painted)	1
5	AC022-464P	Plate, Louver, (Painted)	1
6	AC401-320	Louver, (14-3/8 X 3-3/8 Inches)	A/R
7	AC401-307	Adapter, Hose, (2-1/2 Inch)	2
8	AC301-205	Hose, Duct, 2-1/2 Inch Diameter X Foot	3
9	AC401-305	Ball, Louver, 2-1/2 Inch Diameter With Hose Back	2
10	AC401-306	Ring, Mounting, For Louver Ball	2
11	AC020-028	Channel, Mounting	2
12	RDT-38-16-6-Z	Threaded Rod, 3/8-16 X 6 Ft.	1
13	34-00588-13	Washer, Flat, 3/8 Inch, Zinc Plated	12
14	34-00361-13	Nut, Hex, Lock, (Esna), 3/8-16, Zinc Plated	12

1.3.7 EVAPORATOR, EM-3, GEN 4, FREE BLOW



1.3.7 EVAPORATOR, EM-3, GEN 4, FREE BLOW - Continued			
Item	Part Number	Description	Qty
1	79-62073-00	Assembly, Cover, White	1
	79-62073-01	Assembly, Cover, Gray	1
	N/A	Assembly, Cover, Beige, (AC022-348-S)	1
2	68-62577-01	Trim Strip, White/Gray	1
	68-62577-00	Trim Strip, Beige	1
3	AC801-415	Flexible Trim, Black, X Foot.	14
4	AC022-252	Grill, Air Inlet, Painted, Black	1
5	AC401-320	Assembly, Louver, Air Outlet, (14-3/8 X 7-1/4 Inch)	2
6	38-00573-07	Filter, Return Air, (26.25 X 8 X 1/4 Inch)	2
7	AC401-232	Assembly, Blower, Dual, 12 VDC	3
	AC401-233	Assembly, Blower, Dual, 24 VDC	3
8	22-62011-00	Resistor, 1.8 Ohm, 4 Prong	3
9	AC022-324	Harness, Unit, EM-3, 12 VDC	1
	AC022-454	Harness, Unit, EM-3, 24 VDC	1
10	AC022-759	Assembly, Coil, R134a	1
	AC022-762-S	Assembly, Coil, R134a, With Heat,	1
	08-62067-00	Assembly, Coil, R134a, With Heat, With Low Pressure Switch Connection	1
	08-62068-00	Assembly, Coil, R134a, With Low Pressure Switch Connection	1
11	14-00301-03	Valve, Thermal Expansion, R134a	2
12	AC801-202	O-Ring, 1/2 Inch	4
13	AC201-501	Thermostat, Freeze-Up, Coil Insert	1
14	AC022-760-S	Assembly, Drain Pan, (Foamed)	1
15	AC022-314	Baffel, Foam, EM_3 Drain Pan	1
16	AC801-414	Gasket, Foam, 3/8 X 1 Inch X 25 Foot Roll	1
17	AC701-123	Clip, Tinnerman, High-Torque, (#10AB)	14
18	AC020-028	Channel, Mounting	2
19	AC022-289	Emblem, Carrier	1

1.3.8 EVAPORATOR, EM-3, GEN-5, REAR MOUNT

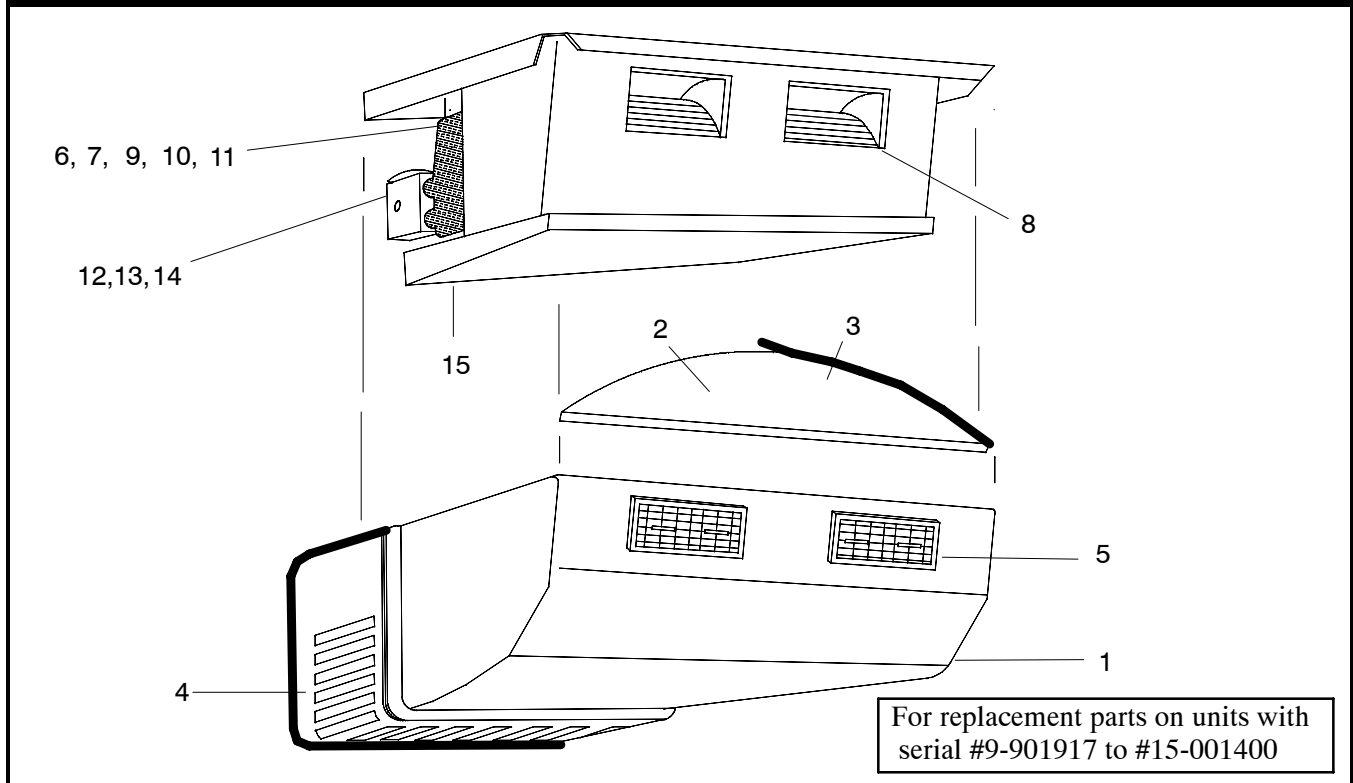


1.3.8 EVAPORATOR, EM-3, GEN-5, REAR MOUNT - Continued			
Item	Part Number	Description	Qty
1	79-62065-01	Assembly, Cover, White, EM-3, Rear Mount	1
	79-62065-02	Assembly, Cover, Gray, EM-3, Rear Mount	1
2	68-62999-00	Trim Strip, White/Gray	1
3	AC801-415	Flexible Trim, Black, X 250 Foot Roll	1
4	76-50130-00	Grill Kit, EM-3, Includes: (Replaces Grill (68-62980-00 & Channel 68-62981-00)	1
5	68-63275-03Grill, Evaporator, EM-3, Gen-V, (Painted)	2
6	68-63277-02Baffle, Cover, EM-3, Gen-V	2
7	AC701-403Rivet, Pop, 1/8 Inch, Steel, (Fasten Door To Grill)	4
8	68-63276-03Door, Filter, EM-3, Gen-V, (Painted)	2
9	AC701-400Rivet, Pop, 3/16 Inch, Steel, (Fasten Baffle & Grill To Cover)	14
10	34-62019-00	Receptacle, 1/4 Turn	2
11	34-62020-00	Stud, 1/4 Turn, .25 Grip Range	2
12	34-06169-01	Washer, Retaining, .215 I. D.	2
13	38-00573-04	Filter, Air, (26.81 inch X 9.00 inch	2
14	58-62042-00	Louver, Rectangle (8.0 X 3.0 Inches)	6
15	58-01385-00	Louver, Evaporator, 3 Inch (Requires Retaining Ring 58-01385-01)	4
	58-01385-01	Ring, Retaining, Louver (Used With Louver 58-01385-00)	4
16	AC022-289	Emblem, Carrier	1
17	NSSBlower Housing & Wheel Assembly (79-62079-03) - Includes:	1
18	NSSBlower Assembly (38-00564-03) - Includes:	1
19	38-00564-53Blower Wheel	1
20	38-00564-63Blower Housing	1
21	42-62118-00Gasket, Mounting, Blower Housing, 1/8 Inch Neoprene	2
22	42-62117-01Gasket, Blower Housing, 3/16 Inch Neoprene	1
23	34-00482-05Set Screw, Cup Point, 1/4-28, SS	1
24	68-62725-00	Bracket, Motor Mounting	2
25	54-00621-01	Motor, Evaporator, 12 VDC	2
	54-00621-04	Motor, Evaporator, 24VDC	2
26	42-62052-00	Gasket, Motor, (Gen-V)	2
27	22-62099-00	Harness, Evaporator, EM-3, With Speed Control (12-00533-00, NSS)	1
	22-62168-00	Harness, Evaporator, 3 Speed	2
	22-62204-00	Harness, Evaporator, (TBBC2 Chassis)	1
28	81-02627-00	Coil Assembly, Evaporator, EM-3 Gen 5, Includes:	2
29	08-62037-00Coil Assembly	1
30	14-00301-03Valve, Thermal Expansion, Block, R134a	1
31	42-00032-01Tape, Insulation, Presstite, 2.00 X 48 Inches Long	1
32	AC801-202O-Ring, 1/2 Inch	2
33	AC201-412Switch, Pressure, Low	1
34	12-00547-00	Thermostat, Freeze-Up, Non-Adjustable	2
35	79-62095-00	Drain Pan Assembly, EM-3, Gen-V - Includes:	1
36	58-62159-00Drain Tube	2
37	68-63000-00	Rear Panel, Gray, (Optional) (Requires Item 34)	1
38	68-62982-00	Angle, Support, Cover	2
39	68-63000-01	Rear Panel, White, (Optional) (Requires Item 39)	1
40	AC801-529	Washer, Snap Cap	13
41	AC801-532	Snap Cap, Gray	13
	AC801-531	Snap Cap, White	13
42	34-62046-00	Screw, Pan Head, Phillips, #10 X 5/8 Inch, AB, Black	13
43	AC701-123	Clip, Tinnerman, High-Torque, (#10AB)	13
44	AC020-028	Channel, Mounting	2

1.3.8 EVAPORATOR, EM-3, GEN-5, REAR MOUNT - Continued			
Item	Part Number	Description	Qty
45	34-00361-13	Nut, Hex, Lock, 3/8-16, Zinc Plated	12
46	34-50045-00	Rod, Threaded, 3/8-16 X 3 Feet, Zinc Plated	2
N/S	22-62169-00	Resistor, 220 W, .820 Ohm	2
N/S	22-62141-01	Block, Terminal, 7 Position, (30 Amp)	1
47	76-62257-00	Blower Housing & Boot Repair Kit - Includes:	1
48	38-00564-70Housing, Bearing, Blower Wheel	1
49	38-00564-71Boot, Rubber, Blower Wheel	1
50	AC701-401Pop Rivet, 3/16, Steel	2

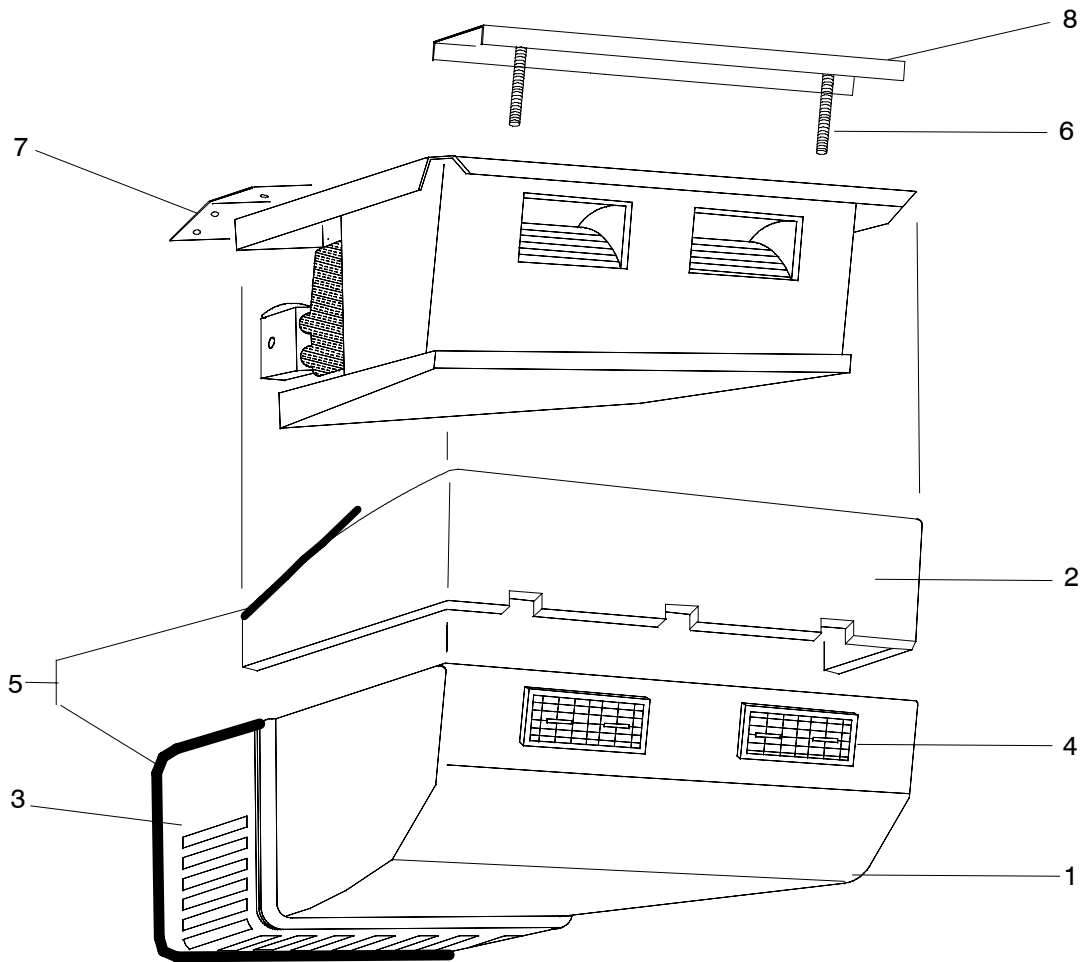
SECTION 1.4 EM-6 EVAPORATORS

1.4.1 EVAPORATOR, EM-6, GEN-2, FREE BLOW



Item	Part Number	Description	Qty
1	N/A	Cover Assembly, Beige, (AC021-036)	1
	AC021-321	Cover Assembly, White	1
2	AC020-005-1	Trim Strip, White	1
3	AC801-415	Flexible Trim, Black, X Foot.	5
4	AC021-171	Grill, Air Inlet, Black	1
5	AC401-308	Louver Assembly, Air Outlet, (3 inch X 7 inch)	2
6	AC801-440	Filter, Return Air, Metal (.090 X 8.0 X 19.88 Inches)	1
7	AC701-107	Clip, Filter	2
8	AC401-209A	Blower Assembly Kit, 12 VDC, Includes:	1
	76-62019-00Resistor Kit, (1.8 Ohm, 4 Prong)	1
	NSSBlower Assembly, Dual, 12 VDC - Includes: (AC401-209)	1
	54-50079-00Motor, Blower, 12 VDC	1
8	AC401-210A	Blower Assembly Kit, 24 VDC, Includes:	1
	76-62019-00Resistor Kit, (1.8 Ohm, 4 Prong)	1
	NSSBlower Assembly, Dual, 24 VDC, (AC401-210)	1
9	AC021-142	Bracket, Harness Stand-Off	1
10	AC021-150	Harness Assembly, EM-6, 12 VDC	1
	AC021-307	Harness Assembly, EM-6, 24 VDC	1
11	AC021-175	Coil Assembly, R12	1
	AC021-604	Coil Assembly, R134a	1
12	AC101-100	Valve, Thermal Expansion, R12	1
	14-00301-03	Valve, Thermal Expansion, R134a	1
13	AC801-202	O-Ring, 1/2 Inch	2
14	AC020-126	Bracket, Thermal Expansion Valve, (TXV)	1
N/S	AC201-501	Thermostat, Freeze-Up, Coil Insert, (Optional)	1
15	AC021-176	Drain Pan Assembly	1

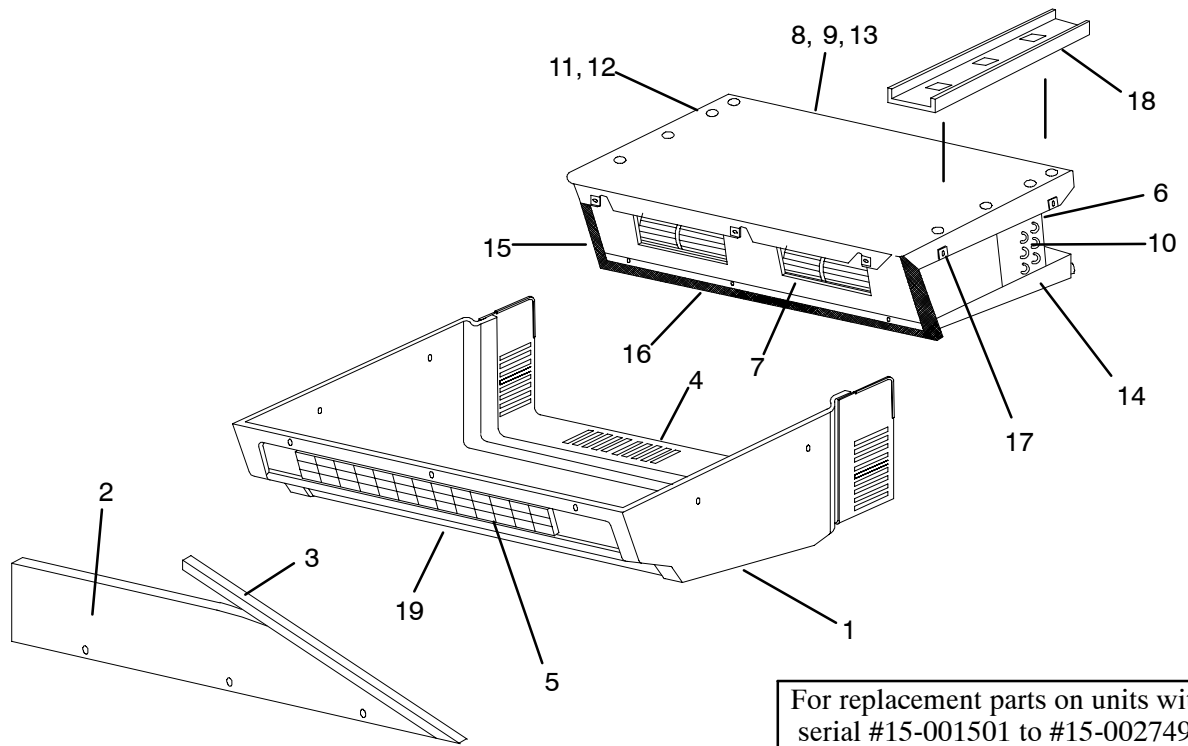
1.4.2 EVAPORATOR, EM-6, GEN 2, SIDE MOUNT, FREE BLOW



For replacement parts on units with serial #9-901917 to #15-001400

Item	Part Number	Description	Qty
1	AC021-036	Cover Assembly, Beige, (Side Mount)	1
2	AC021-280	Trim Strip, Beige	1
3	AC021-262P	Grill, Air Inlet, Black, Painted	1
4	AC401-308	Louver Assembly, 3 X 7 Inch, (Black)	2
5	AC801-415	Trim, Flexible, Black, X Foot	20
6	AC020-171P	Rod, Hanger Adjuster	2
7	AC021-277	Hanger, Rear	1
8	AC021-278	Hanger, Front	1

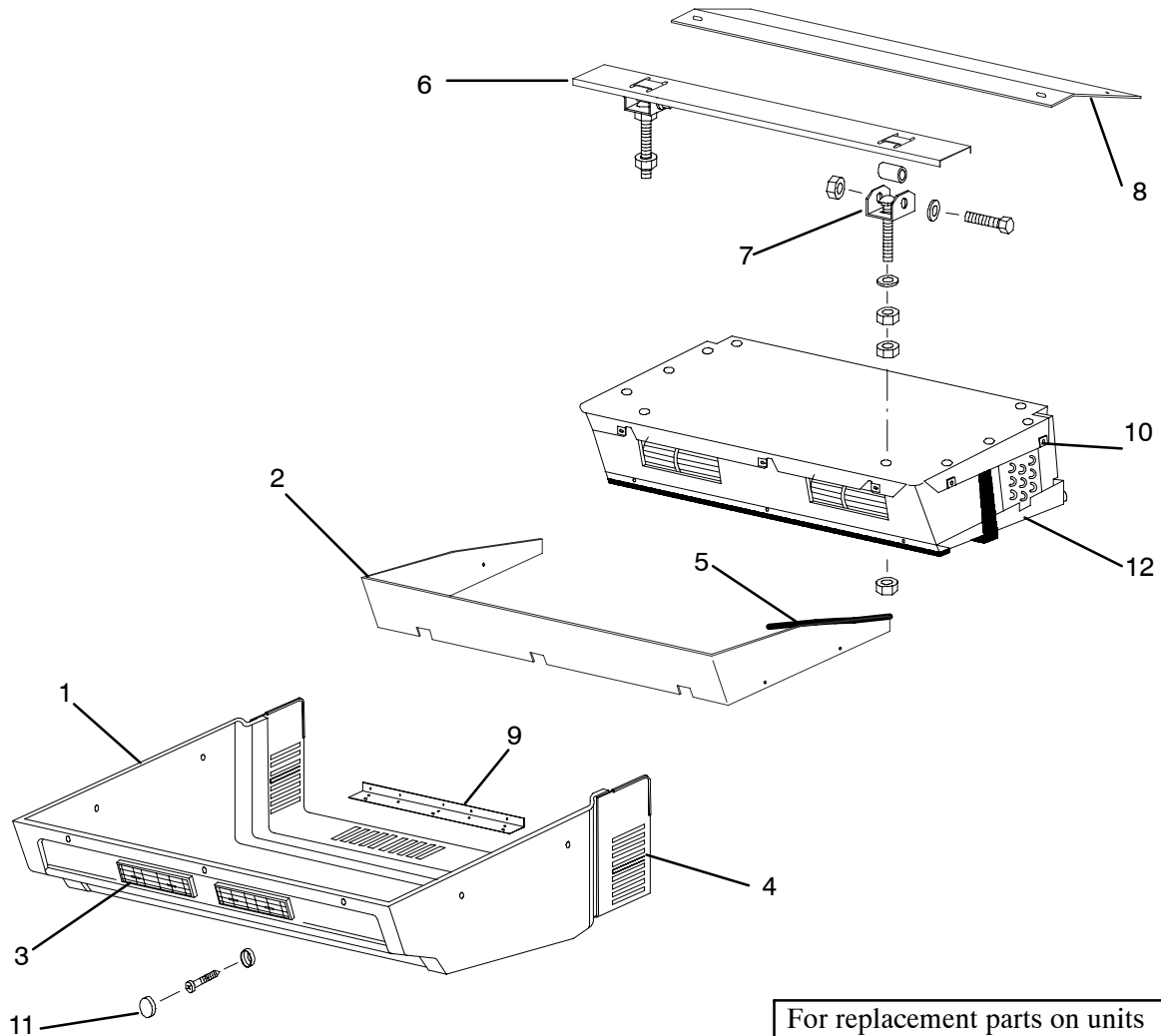
1.4.3 EVAPORATOR, EM-6, GEN-3, FREE BLOW



For replacement parts on units with serial #15-001501 to #15-002749

Item	Part Number	Description	Qty
1	AC022-349-S	Cover Assembly, Beige	1
	AC022-337-S	Cover Assembly, White	1
	AC022-354-S	Cover Assembly, Gray Noryl	1
2	AC022-284	Trim Strip, Beige, (39-1/2 X 3-1/4 Inch)	1
	AC022-284-1	Trim Strip, White, (39-1/2 X 3-1/4 Inch)	1
	AC022-284-2	Trim Strip, Gray, (39-1/2 X 3-1/4 Inch)	1
3	AC801-415	Flexible Trim, Black, X Foot.	10
4	AC022-253	Grill, Air Inlet, Black, (Painted)	1
5	AC401-320	Louver Assembly, Air Outlet, (14-3/8 inch X 3-3/8 Inch)	1
6	AC801-453	Filter, Return Air (1/2 X 8-1/4 X 19-1/4 Inch)	1
	AC401-221	Blower Assembly, Dual, 12 VDC	1
7	AC401-222	Blower Assembly, Dual, 24 VDC	1
	76-62019-00	Resistor Kit, (1.8 Ohm, 4 Prong)	1
8	AC022-325	Harness, Unit, EM-6, 12 VDC	1
	AC022-455	Harness, Unit, EM-6, 24 VDC	1
9	AC021-175	Coil Assembly, R12	1
	AC021-604	Coil Assembly, R134a	1
10	14-00301-03	Valve, Thermal Expansion, R134a	1
11	AC801-202	O-Ring, 1/2 Inch	2
12	AC201-501	Thermostat, Freeze-Up, Coil Insert	1
13	AC022-335-S	Drain Pan Assembly, (Foamed)	1
14	AC801-403	Gasket, Foam, (1-1/4 Inch X 1-1/4 Inch X 25 Foot Roll)	1
15	AC801-414	Gasket, Foam, (3/8 Inch X 1 Inch X Foot)	4
16	AC701-123	Clip, Tinnerman, High-Torque (#10AB)	11
17	AC020-009	Channel, Mounting	2
18	AC022-289	Emblem, Carrier, (2-7/8 Inch)	1

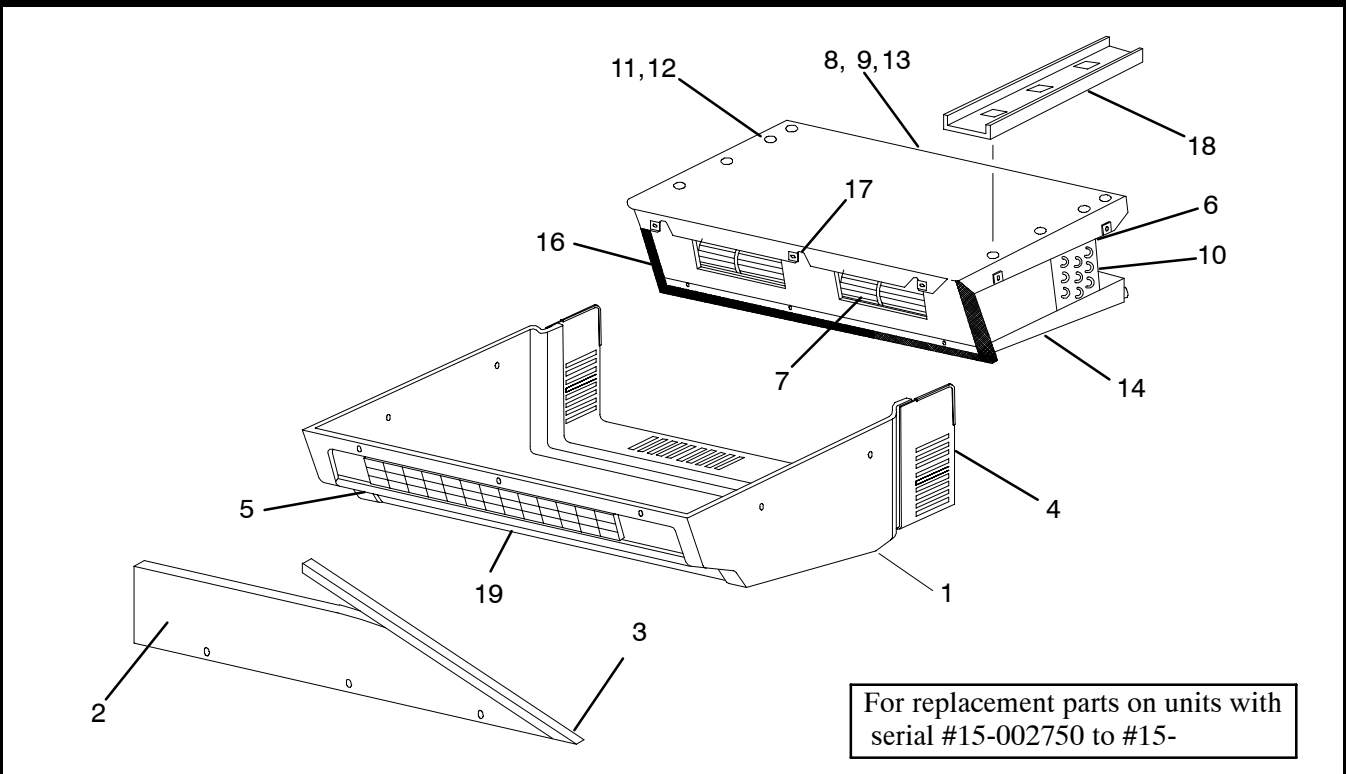
1.4.4 EVAPORATOR, EM-6, GEN 3 & GEN 4, SIDE MOUNT, FREE BLOW



For replacement parts on units with serial #15-001501 to #

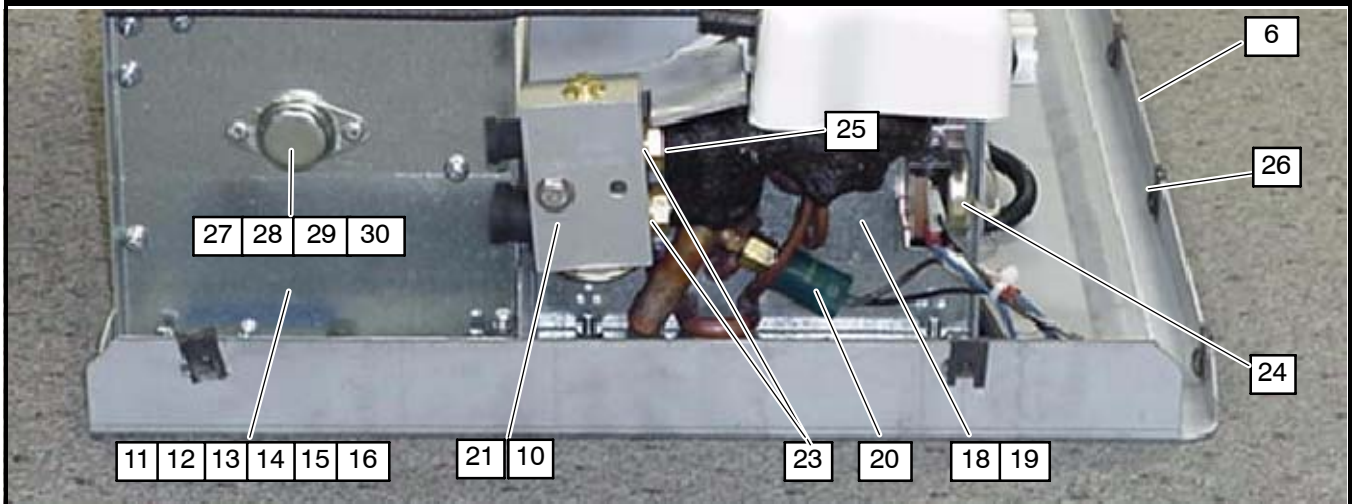
Item	Part Number	Description	Qty
1	79-62076-00	Cover Assembly, White	1
	79-62076-01	Cover Assembly, Gray	1
	N/A	Cover Assembly, Beige, (AC022-490-S)	1
2	AC022-293-1	Strip, Trim, White	1
	AC022-293-2	Strip, Trim, Gray	1
3	AC401-308	Assembly, Louver (7.0 X 3.0 Inches)	2
4	AC022-295P	Grill, Return Air, (Painted)	1
5	AC801-415	Trim, Flexible, Black X Foot	20
6	AC021-278	Weldment, Hanger	1
7	AC021-223	Hanger, Front	2
8	AC022-297	Hanger, Rear	1
9	AC020-179P	Angle, Rear Screen Support	1
10	AC701-123	Clip, Tinnerman, High Torque, #10AB	10
11	AC801-530	Cap, Snap, Beige	7
	AC801-531	Cap, Snap, White	7
	AC801-532	Cap, Snap, Gray	7
12	AC022-772	Drain Pan	1

1.4.5 EVAPORATOR, EM-6, GEN 4, FREE BLOW



Item	Part Number	Description	Qty
1	79-62074-00	Cover Assembly, White	1
	79-62074-01	Cover Assembly, Gray	1
	N/A	Cover Assembly, Beige (AC022-349-S)	1
2	68-62578-01	Trim Strip, White/Gray, (39-1/2 inch X 3-1/4 Inch)	1
	68-62578-00	Trim Strip, Beige, (39-1/2 inch X 3-1/4 inch)	1
3	AC801-415	Flexible Trim, Black, X Foot.	10
4	AC022-253	Grill, Air Inlet, Black, (Painted)	1
5	AC401-320	Assembly, Louver, Air Outlet, (14-3/8 X 3-3/8 Inch)	1
6	AC801-462	Filter, Return Air (1/4 X 8.0 X 19.0 Inch)	1
7	AC401-232	Assembly, Blower, Dual, 12 VDC	1
	AC401-233	Assembly, Blower, Dual, 24 VDC	1
8	22-62011-00	Resistor, 1.8 Ohm, 4 Prong X 6 Inches Long	1
9	AC022-711	Harness, Unit, EM-6, 12 VDC	1
	AC022-455	Harness, Unit, EM-6, 24 VDC	1
10	08-62061-00	Assembly, Coil, With Low Pressure Switch Connection	1
	08-62062-00	Assembly, Coil, With Heat, Coil, With Low Pressure Switch Connection	1
11	14-00301-03	Valve, Thermal Expansion	1
12	AC801-202	O-Ring, 1/2 Inch	2
13	AC201-501	Thermostat, Freeze-Up, Coil Insert	1
14	AC022-772-S	Assembly, Drain Pan, (Foamed)	1
15	AC801-403	Gasket, Foam (1-1/4 X 1-1/4 inch X 25 Foot Roll)	1
16	AC801-414	Gasket, Foam, Soft (3/8 X 1 inch X 25 Foot Roll)	1
17	AC701-123	Clip, Tinnerman, High-Torque (#10AB)	11
18	AC020-009	Channel, Mounting	2
19	AC022-289	Emblem, Carrier, (2-7/8 Inch)	1

1.5.1 EVAPORATOR, EM-7, GEN V, REAR MOUNT - Continued			
Item	Part Number	Description	Qty
1	54-00621-02	Motor Evaporator, 12 VDC, GEN-V	1
	54-00621-05	Motor Evaporator, 24 VDC, GEN-V	1
2	42-62052-00	Gasket, Motor	1
3	22-62099-00	Assembly, Harness, Evap., With Speed Control, (12-00533-00, NSS)	1
	22-62168-00	Assembly, Harness, Evap., 3 Speed	1
4	79-62094-02	Drain Pan Assembly, PVC With Foam - Includes:	1
5	58-62159-00Tube, Plastic, Drain	2
6	68-62758-00	Panel, Top	1
7	58-62064-00F25	Trim Seal, 1/8 Inch Grip, (25 Foot Roll)	1
8	22-62141-01	Terminal Block, 7 Position, (30 Amp)	1
9	68-62726-00	Strap, Motor, (GEN V)	1
10	AC701-101	Clip, Tinnerman, high Torque, (1/4-20)	1



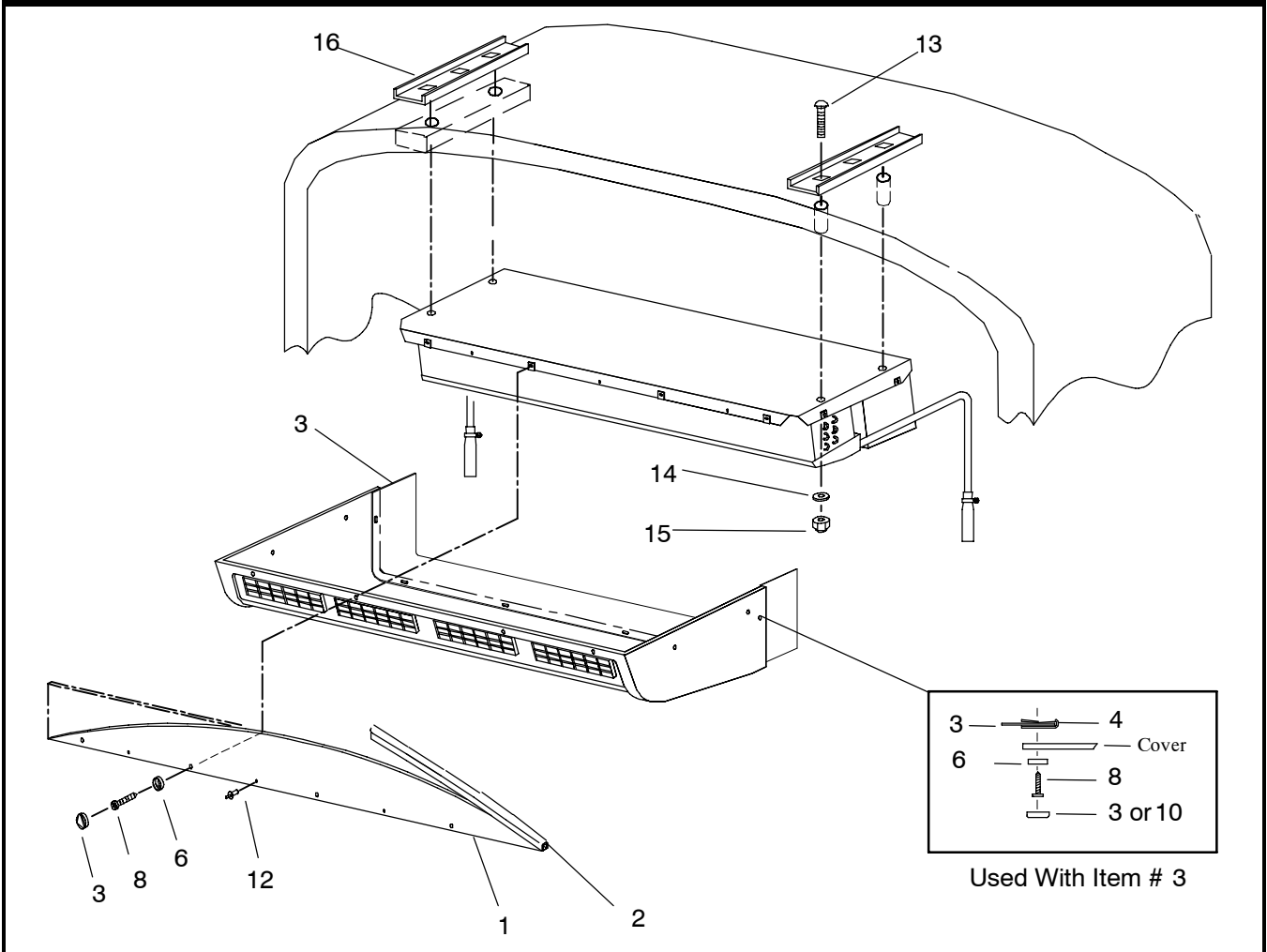
Item	Part Number	Description	Qty
11	NSS	Blower Housing & Gasket Assembly (79-62079-02) - Includes:	1
12	NSSBlower Housing & Wheel Assembly (38-00564-02) - Includes:	1
13	38-00564-52Blower Wheel	1
14	38-00564-62Blower Housing	1
15	42-62118-00Gasket, Mounting, Blower Housing, 1/8 Inch Thick Neoprene	2
16	42-62117-02Gasket, Blower Housing, 3/16 Inch Thick Neoprene	1
17	34-00482-05Set Screw, Cup Point, 1/4-28, SS	1
18	79-02358-02	Coil Assembly, Evaporator, EM-7 - Includes:	1
19	08-62031-02Coil Assembly	1
20	AC201-412Switch, Pressure, Low, Female	1
21	14-00301-03Valve, Thermal Expansion, R134a	1
22	42-00032-01Tape, Insulation, Presstite, 2.00 X 48.00 Inches Long	1
23	AC801-202O-Ring, HNBR, (1/2 Inch)	2
24	12-00547-00	Thermostat, Freeze, Non-Adjustable	1
25	68-62710-00	Assembly, Bracket, TXV	1
26	AC701-123	Clip, Tinnerman, High Torque, (#10AB)	8
N/S	22-62169-00	Resistor, Gen V, 3-Speed, (200 Watt, .820 OHM)	1
27	76-62257-00	Blower Housing & Boot Repair Kit - Includes:	1
28	38-00564-70Housing, Bearing, Blower Wheel	1
29	38-00564-71Boot, Rubber, Blower Wheel	1
30	AC701-401Pop Rivet, 3/16, Steel	2

1.5.1 EVAPORATOR, EM-7, GEN V - Continued



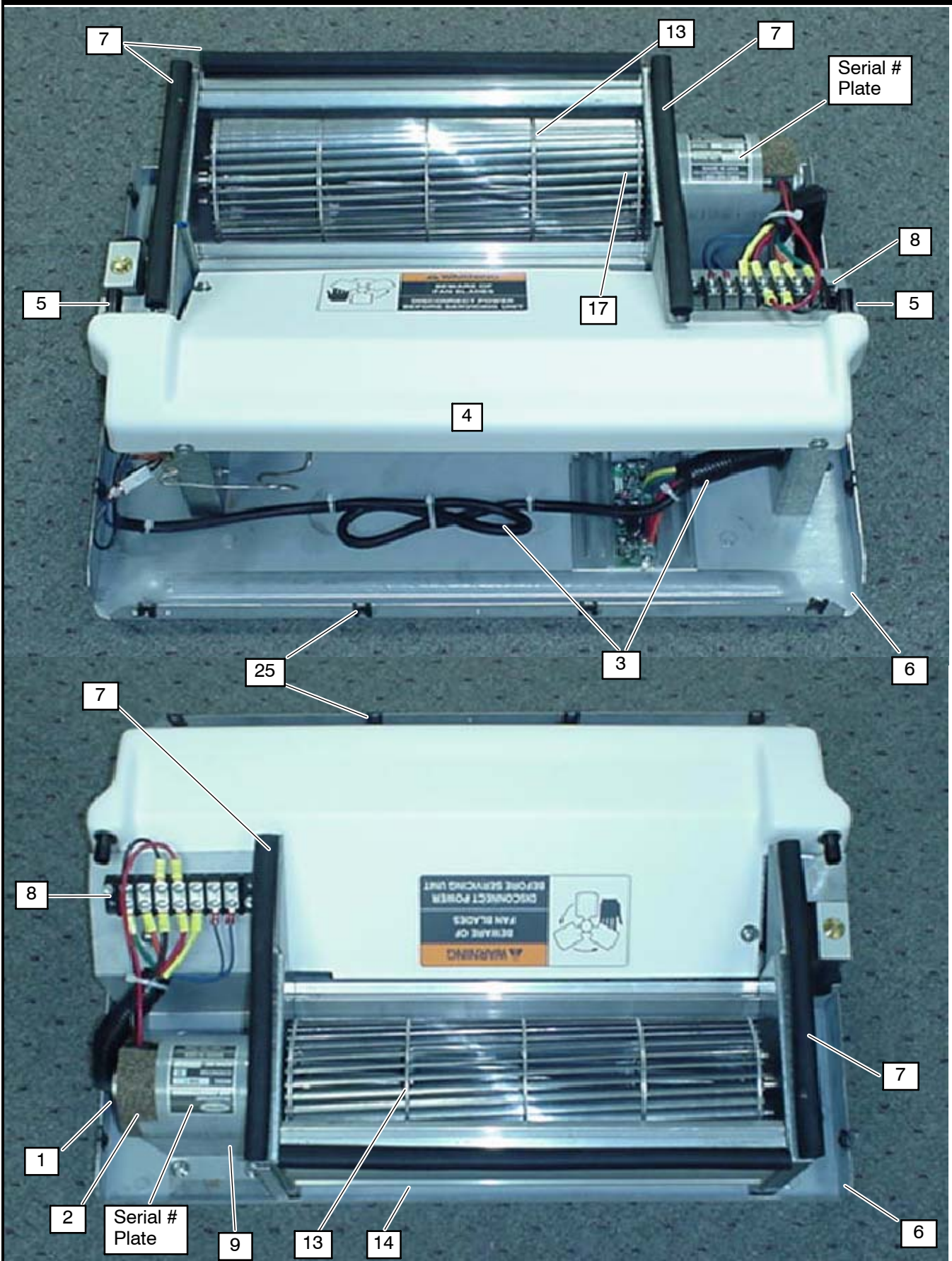
Item	Part Number	Description	Qty
31	79-62046-01	Cover Assembly, White, (Rear Mount)	1
	79-62046-02	Cover Assembly, Gray, (Rear Mount)	1
32	58-62042-00	Louver, Square, (GEN V) (8.0 X 3.0 Inches)	2
33	58-01385-00	Louver, Evaporator, 3 Inch (Requires Retaining Ring 58-01385-01)	2
	58-01385-01	Ring, Retaining, Louver (Used With Louver 58-01385-00)	2
34	68-62780-00	Trim Strip	1
35	AC020-009	Mounting Channel,	1
36	AC801-415	Gasket, Trim-Lock, Black/Black X Foot	8Ft.
37	AC022-289	Carrier Emblem	1
38	76-50131-00	Grill Kit, EM-7, - Includes: (Replaces Grill 68-62782-00 & Channel 68-62783-00)	1
39	68-63275-07 Grill, Evaporator, EM-7, Gen V (Painted)	1
40	68-63276-07 Door, Filter, EM-7, Gen V (Painted)	1
41	68-63277-07 Baffle, Cover, EM-7, Gen V	1
42	AC701-403 Rivet, Pop, 1/8 Inch, Steel (Fasten Door to Grill)	2
43	AC701-400 Rivet, Pop, 3/15 Inch, Steel (Fasten Baffle & Grill to Cover)	7
N/S	98-50618-00 Instructions, Grill, Door & Baffle Installation	1
44	38-00573-03	Filter, Air, EM-7	1
45	34-62019-00	Receptacle, 1/4 Turn	1
46	34-62020-00	Stud, 1/4 Turn, .25 Grip Range	1
47	34-06169-01	Washer, Retaining, .215 I. D.	1

1.5.2 INSTALLATION COMPONENTS, EM-7, GEN V, REAR MOUNT

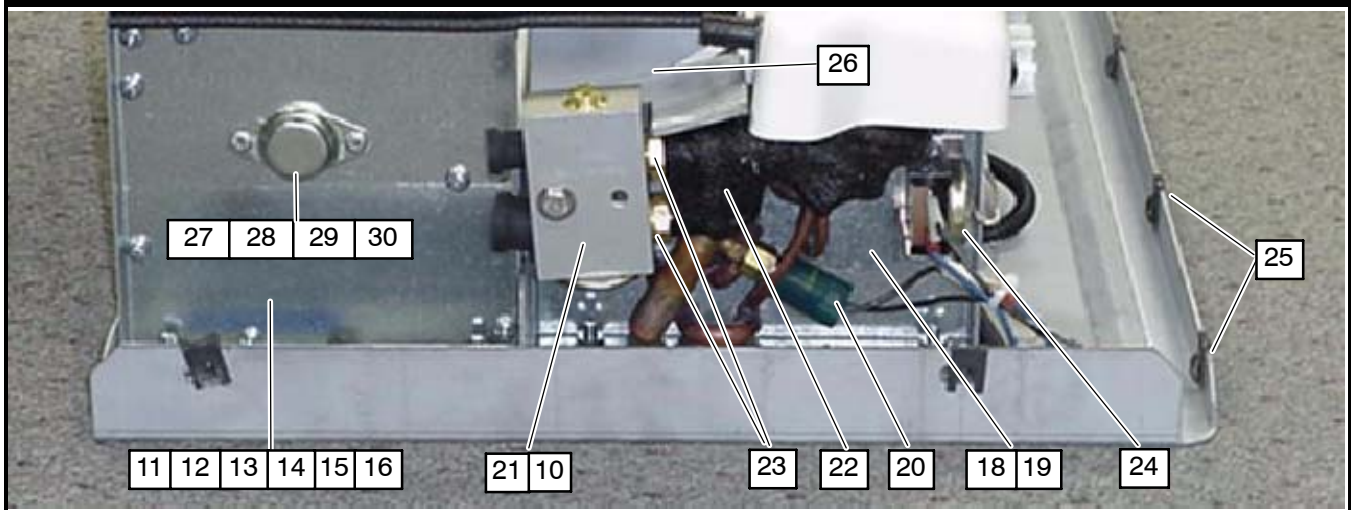


Item	Part Number	Description	Qty
1	68-62870-00	Trim Strip,, Gray One Side & White Other Side, EM-7	1
2	AC801-415	Gasket, Trimlock, Black	8Ft.
3	68-62913-00	Panel, Gray, EM-7, Rear, (Requires Additional Item #5)	1
	68-62913-01	Panel, White, EM-7, Rear (Requires Additional Item #9)	1
4	AC701-123	Tinnerman Clip, Hi Torque, #10 AB	5
5	76-62103-00	Hardware Kit, Cover Mounting To Unit, Gray, Includes:	1
6	AC801-529 Washer, Snap Cap	8
7	AC801-532 Snap Cap, Gray	8
8	34-62046-00 Screw, Pan Head, Phillips, #10 X 5/8 Inch, AB, Black	8
9	76-62103-04	Hardware Kit, Cover Mounting To Unit, White, Includes:	1
6	AC801-529 Washer, Snap Cap	8
10	AC801-531 Snap Cap, White	8
8	34-62046-00 Screw, Pan Head, Phillips, #10 X 5/8 Inch, AB, Black	8
11	76-62103-01	Hardware Kit, Unit Mounting To Channels, Includes:	1
12	AC701-403 Rivet, Pop, 1/8-Steel	3
13	34-01310-01 Bolt, Carriage, 3/8-16 X 4 Inches, Full Thread, GD-8, Zinc Plated	4
14	34-00588-13 Washer, Flat, 3/8 Inch, Zinc Plated	4
15	34-00361-13 Nut, Hex, Lock, 3/8-16, Zinc Plated	4
16	AC020-009	Channel, Mounting, 3/16 X 30 Inches Long	2
	AC021-360	Channel, Mounting, 3/16 X 15.75 Inch, (Model 77-62712-80 & -82 Only)	2

1.5.3 EVAPORATOR, EM-7, GEN V, SIDE MOUNT

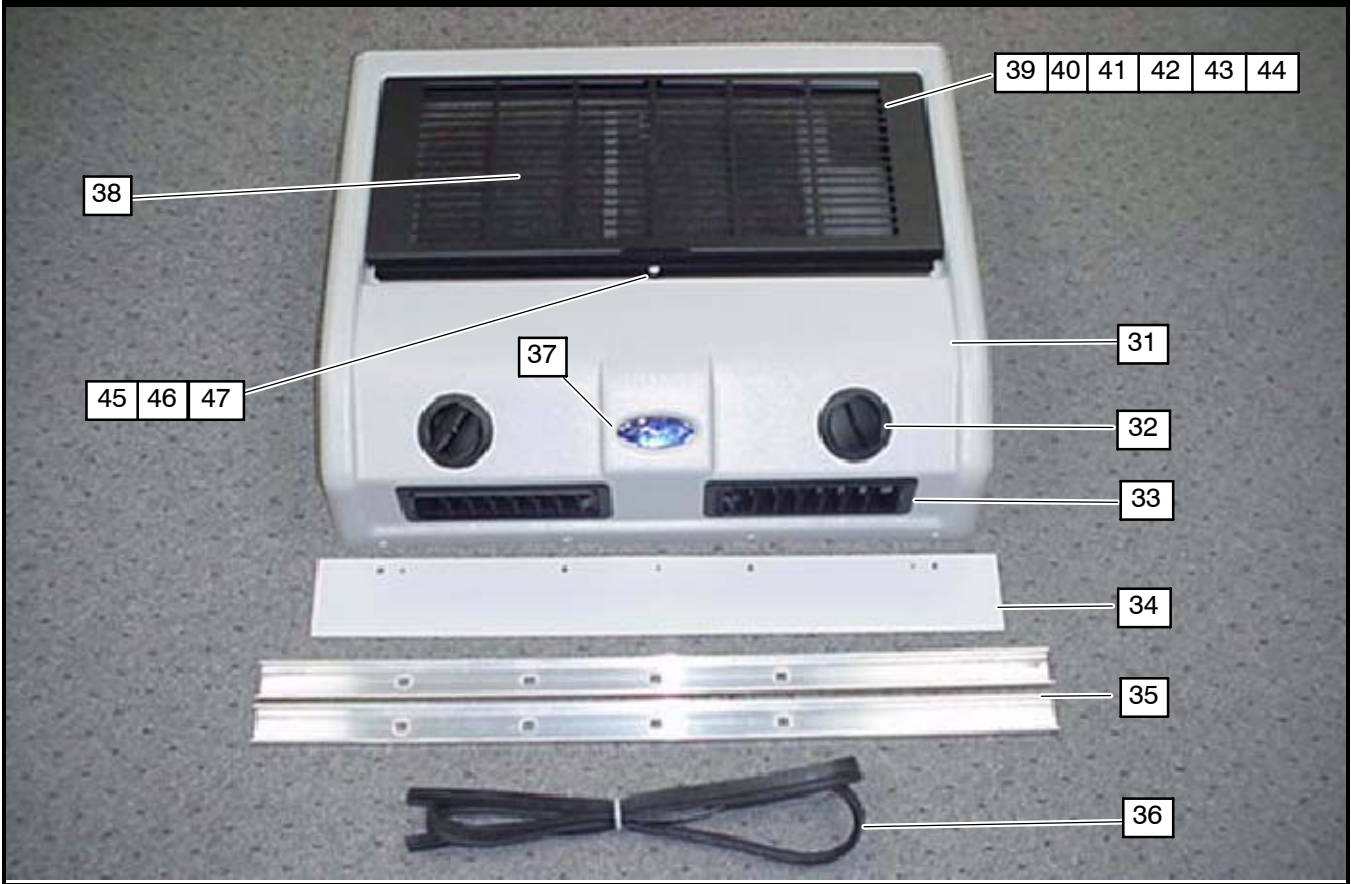


1.5.3 EVAPORATOR, EM-7, GEN V, SIDE MOUNT, Continued



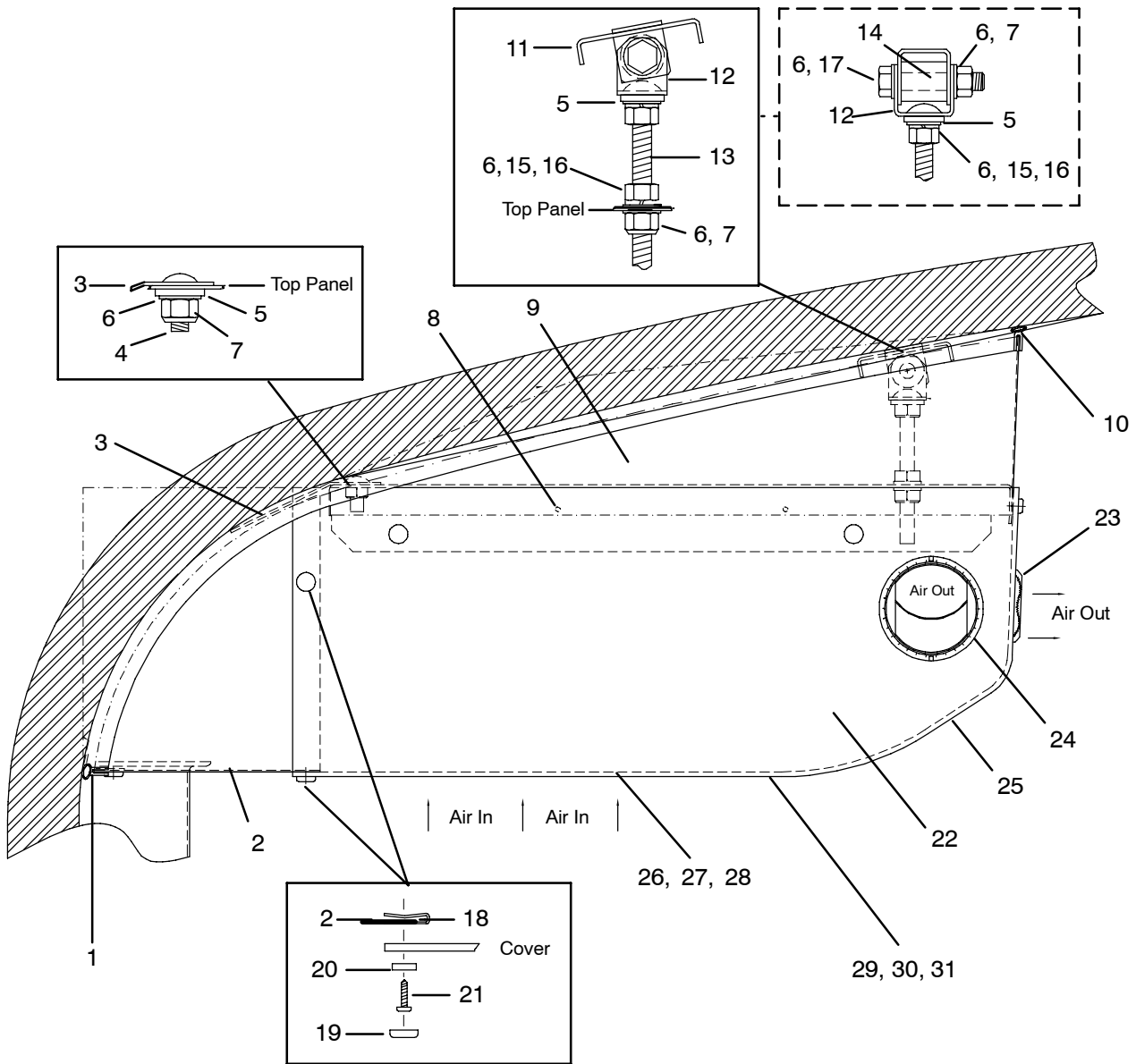
Item	Part Number	Description	Qty
1	54-00621-02	Motor Evaporator, GEN-V, 12 VDC	1
	54-00621-05	Motor Evaporator, GEN-V, 24 VDC	1
2	42-62052-00	Gasket, Motor	1
3	22-62099-00	Assembly, Harness, Evap., With Speed Control, (12-00533-00, NSS)	1
	22-62168-00	Assembly, Harness, Evap., 3 Speed	1
4	79-62094-02	Drain Pan Assembly, EM-7 - Includes:	1
5	58-62159-00Tube, Plastic, Drain	2
6	68-62758-00	Panel, Top	1
7	58-62064-00F25	Seal, Trim, 1/8 Inch Grip, (25 Foot Roll)	1
8	22-62141-01	Terminal Block, 7 Position, (30 Amp)	1
9	68-62726-00	Strap, Motor, (GEN V)	1
10	AC701-101	Clip, Tinnerman, High Torque, 1/4-20	1
11	NSS	Blower Housing & Gasket Assembly (79-62079-02) - Includes:	1
12	NSS	Blower Housing & Wheel Assembly (38-00564-02) - Includes:	1
13	38-00564-52Blower Wheel, EM-7	1
14	38-00564-62Blower Housing	1
15	42-62118-00Gasket, Mounting, Blower Housing, 1/8 Inch Thick Neoprene	2
16	42-62117-02Gasket, Blower Housing, 3/16 Inch Thick Neoprene	1
17	34-00482-05Set Screw, Cup Point, 1/4-28, SS	1
18	79-02358-02	Coil Assembly, EM-2, Includes:	1
19	08-62031-02Coil Assembly	1
20	AC201-412Switch, Pressure, Low, Female	1
21	14-00301-03Valve, Block, Thermal Expansion, R134a	1
22	42-00032-01Tape, Insulation, Presstite, 2.00 X 48.00 Inches Long	1
23	AC801-202O-Ring, HNBR, (1/2 Inch)	2
24	12-00547-00	Thermostat, Freeze, Non-Adjustable	1
25	AC701-123	Clip, Tinnerman, High Torque, (#10AB)	8
26	68-62710-00	Assembly, Bracket, TXV	1
N/S	22-62169-00	Resistor, 220 W, .820 Ohm	1
27	76-62257-00	Bearing Housing & Boot Repair Kit - Includes:	1
28	38-00564-70Housing, Bearing	1
29	38-00564-71Boot, Rubber	1
30	AC701-401Pop Rivet, 3/16 SD62BS, Steel	2

1.5.3 EVAPORATOR, EM-7, GEN V , SIDE MOUNT - Continued



1.5.3 EVAPORATOR, EM-7, GEN V , SIDE MOUNT - Continued			
Item	Part Number	Description	Qty
31	79-62047-01	Cover Assembly, White, (Side Mount)	1
	79-62047-02	Cover Assembly, Gray, (Side Mount)	1
32	58-01385-00	Louver, Evaporator, 3 Inch (Requires Retaining Ring 58-01385-01)	4
	58-01385-01	Ring, Retaining, Louver (Used With Louver 58-01385-00)	4
33	58-62042-00	Louver, Rectangle, (GEN V) (8.0 X 3.0 Inches)	2
34	68-62780-00	Trim Strip	1
35	AC020-009	Mounting Channel,	1
36	AC801-415	Gasket, Trim-Lock, Black/Black X Foot	8Ft.
37	AC022-289	Carrier Emblem	1
38	38-00573-03	Filter, Air, EM-7	1
39	76-50131-00	Grill Kit, EM-7, - Includes: (Replaces Grill 68-62782-00 & Channel 68-62783-00)	1
40	68-63275-07 Grill, Evaporator, EM-7, Gen V (Painted)	1
41	68-63276-07 Door, Filter, EM-7, Gen V (Painted)	1
42	68-63277-07 Baffle, Cover, EM-7, Gen V	1
43	AC701-403 Rivet, Pop, 1/8 Inch, Steel (Fasten Door to Grill)	2
44	AC701-400 Rivet, Pop, 3/15 Inch, Steel (Fasten Baffle & Grill to Cover)	7
N/S	98-50618-00 Instructions, Grill, Door & Baffle Installation	1
45	34-62019-00	Receptacle, 1/4 Turn	1
46	34-62020-00	Stud, 1/4 Turn, .25 Grip Range	1
47	34-06169-01	Washer, Retaining, .215 I. D.	1

1.5.4 INSTALLATION COMPONENTS, EM-7, GEN-V, SIDE MOUNT

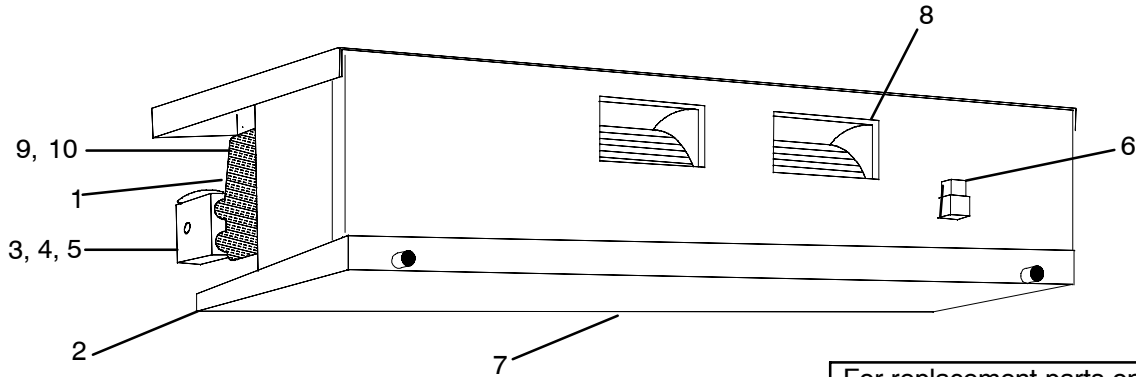


Item	Part Number	Description	Qty
1	AC020-179P	Support Angle	1
2	68-62913-00	Trim Strip, Rear, Gray	1
	68-62913-01	Trim Strip, Rear, White	1
3	68-62905-00	Rear Hanger, Side Mount	1
4	34-01310-00	Bolt, Carriage, Round Head, 3/8-16 X 1-1/4 Inch, Zinc plated	2
5	AC601-602	Spacer, Steel, 7/8 OD X 1/2 ID X 1/8 InchLong	2
6	34-00588-13	Washer, Flat, 3/8 Inch, Zinc Plated	8
7	34-00361-13	Nut, Hex, Lock, 3/8-16, Zinc Plated	6
8	AC701-403	Rivet, Pop, 1/8 Inch, Steel	4
9	68-62914-00	Trim Strip, Side, Gray	1
	68-62914-01	Trim Strip, Side, White	1
10	AC801-415	Gasket, Trimlock, Black	23 Ft.

1.5.4 INSTALLATION COMPONENTS, EM-7, GEN-V, SIDE MOUNT - Continued			
Item	Part Number	Description	Qty
11	86-62246-00	Bracket, Weld Assembly, Front Hanger	1
12	AC021-223	Bracket, Hanger, Front	2
13	34-01310-02	Bolt, Carriage, Round Head, 3/8-16 X 6 Inch, Zinc plated, Full Thread	1
14	AC601-616	Spacer, Steel, 7/8 OD X 1/2 ID X 1 Inch Long	2
15	34-00368-13	Washer, Split Lock, 3/8 Inch, Zinc Plated	6
16	34-00363-13	Nut, Hex, 3/8-16, Zinc Plated	4
17	17-40034-05	Bolt, Hex Head, 3/8-16 X 2 Inch, Zinc Plated, Grade 8	2
18	AC701-123	Tinnerman Clip, Hi Torque, #10 AB	8
19	AC801-531	Cap, Snap, White	8
	AC801-532	Cap, Snap, Gray	8
20	AC801-529	Washer, Snap Cap	8
21	34-62046-00	Screw, Pan Head Phillips, #10 X 5/8 Inch, AB, Black	8
22	79-62047-01	Assembly, Cover, White, EM-7	1
	79-62047-02	Assembly, Cover, Gray, EM-7	1
23	58-62042-00	Louver, Rectangle (8.0 X 3.0 Inches)	2
24	58-01385-00	Louver, Evaporator, 3 Inch (Requires Retaining Ring 58-01385-01)	4
	58-01385-01	Ring, Retaining, Louver (Used With Louver 58-01385-00)	4
25	AC022-289	Emblem, Carrier	1
26	38-00573-03	Filter, Air, 36.5 X 9.0 Inches, EM-7, (GenV)	1
27	68-62782-00	Grill, Evaporator, EM-7, GEN V, (Painted)	1
28	68-62783-00	Channel, Filter, EM-7, GEN V, (Painted)	1
29	34-06169-01	Washer, Retaining	1
30	34-62020-00	Stud, 1/4 Turn, .25 Grip Range	1
31	34-62019-00	Receptacle, 1/4 turn	1

SECTION 1.6 EM-8 EVAPORATOR

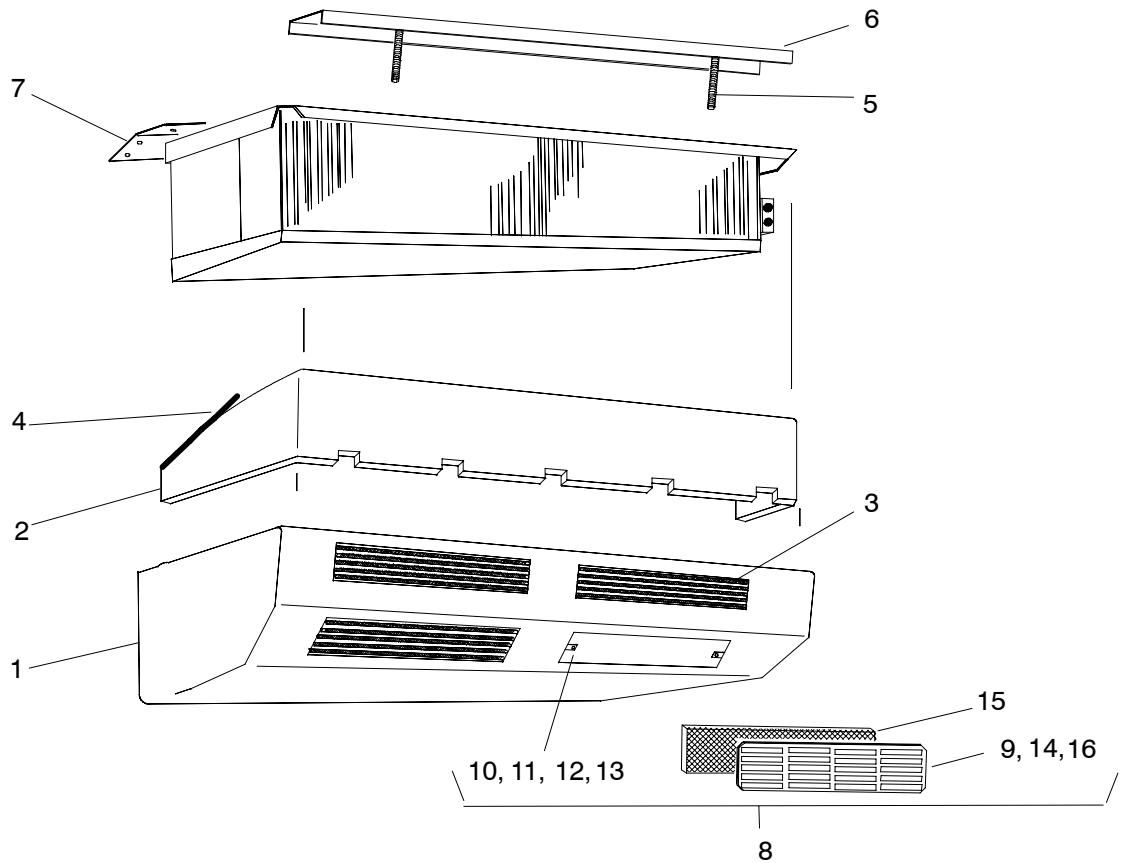
1.6.1 EVAPORATOR, EM-8, GEN 1, DUCTED



For replacement parts on units with serial #9-900013 to #9-901662

Item	Part Number	Description	Qty
1	AC021-113	Coil Assembly	1
2	AC020-120	Drain Pan Assembly, (EM-8/9)	1
3	AC101-100	Valve, Thermal Expansion	1
4	AC801-202	O-Ring, 1/2 Inch	2
5	AC020-126	Bracket, TXV	1
6	AC201-806	Relay, 12 VDC, (Medium Speed)	1
	AC201-807	Relay, 24 VDC, (Medium Speed)	1
7	AC201-904	Harness With Connector, EM-8	1
8	AC401-200A	Blower Assembly, 12 VDC	1
	AC401-201A	Blower Assembly, 24 VDC	1
9	38-00558-00	Filter Assembly, Inlet, Metal	1
10	AC701-107	Clip, Filter	4

1.6.2 EVAPORATOR, EM-8 & 9, GEN 1, SIDE MOUNT, DUCTED



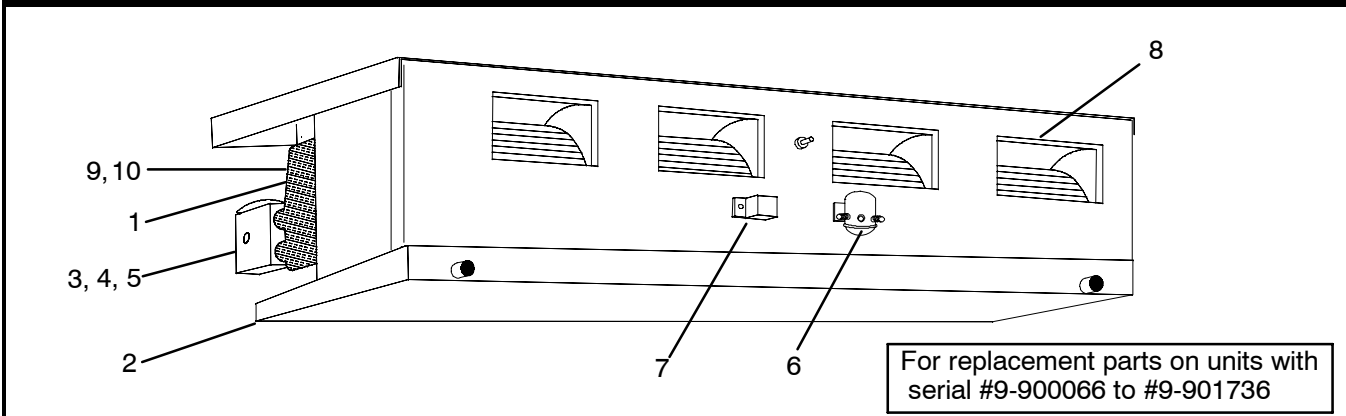
For replacement parts on EM-8 with serial #9-900013 to #9-901662

For replacement parts on EM-9 with serial # 9-900066 to #9-901736

Item	Part Number	Description	Qty
1	AC020-199	Cover Assembly, Beige	1
2	AC020-177	Trim Strip	1
3	AC020-013	Grill, Return Air, (Front)	4
4	AC801-404	Trim, Flexible, Black X Foot	10
5	AC020-171P	Rod, Hanger Adjuster	2
6	AC020-174	Hanger, Front	1
7	AC020-172	Hanger, Rear	1
8	AC010-198	Removable Filter Installation Kit, (Optional) Consisting Of:	1
9	AC011-043Grill, Return Air	4
10	AC011-044Strap, Return Air Grill	8
11	AC701-100Tinnerman Clip, #10 Type A	8
12	AC701-106Tinnerman Clip, 1/4-20	8
13	AC801-305Washer, Flat, Nylon, 1/4 Inch	8
14	AC801-307Screw, Nylon, Knurled Head, 1/4-20	8
15	38-00558-00 Filter, Metal	4
16	34-50049-00Screw, Pan Head, Phillips, #10-32 X 5/8 Inch	15

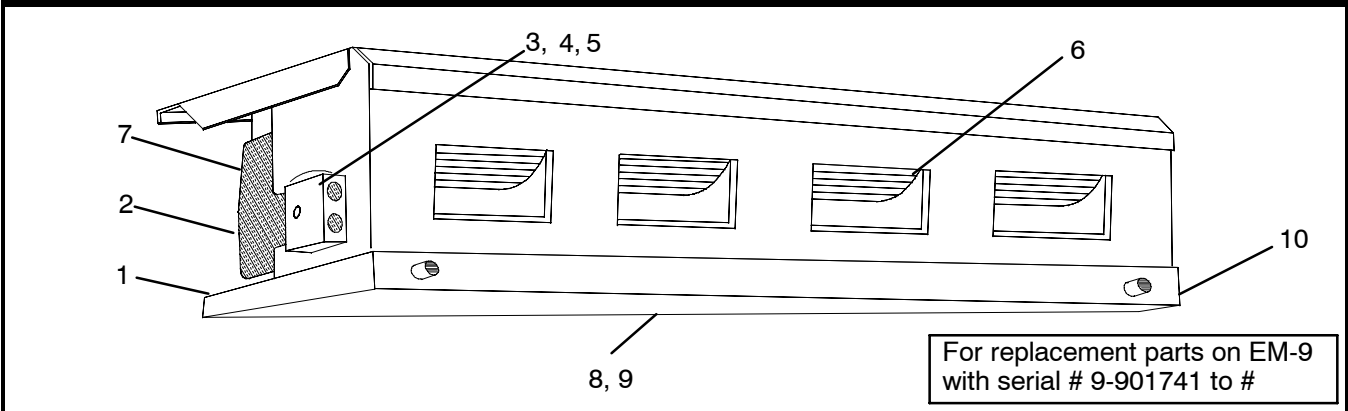
SECTION 1.7 EM-9 EVAPORATORS

1.7.1 EVAPORATOR, EM-9, GEN 1, DUCTED



Item	Part Number	Description	Qty
1	AC021-113	Coil Assembly	1
2	AC020-120	Drain Pan Assembly	1
3	AC101-100	Valve, Thermal Expansion	1
4	AC801-202	O-Ring, 1/2 Inch	2
5	AC020-126	Bracket, TXV	1
6	AC201-800	Solenoid, 12 VDC, (High Speed)	1
	AC201-803	Solenoid, 24 VDC, (High Speed)	1
7	AC201-806	Relay, 12 VDC, (Medium Speed)	1
	AC201-807	Relay, 24 VDC, (Medium Speed)	1
8	AC401-200A	Blower Assembly, 12 VDC	2
	AC401-201A	Blower Assembly, 24 VDC	2
9	38-00558-00	Filter Assembly, Inlet, Metal	1
10	AC701-107	Clip, Filter	4

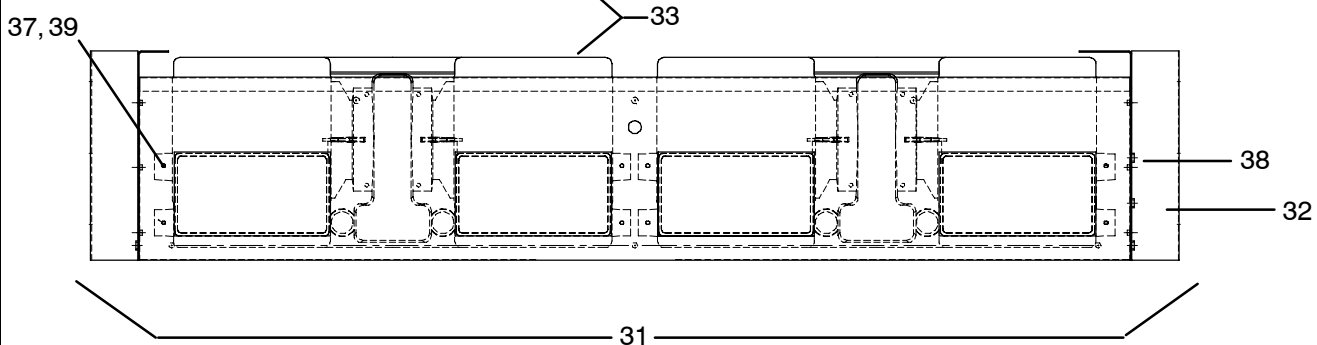
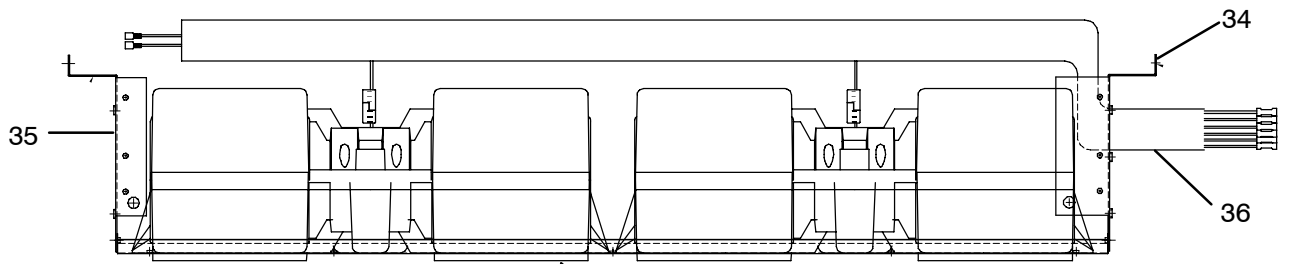
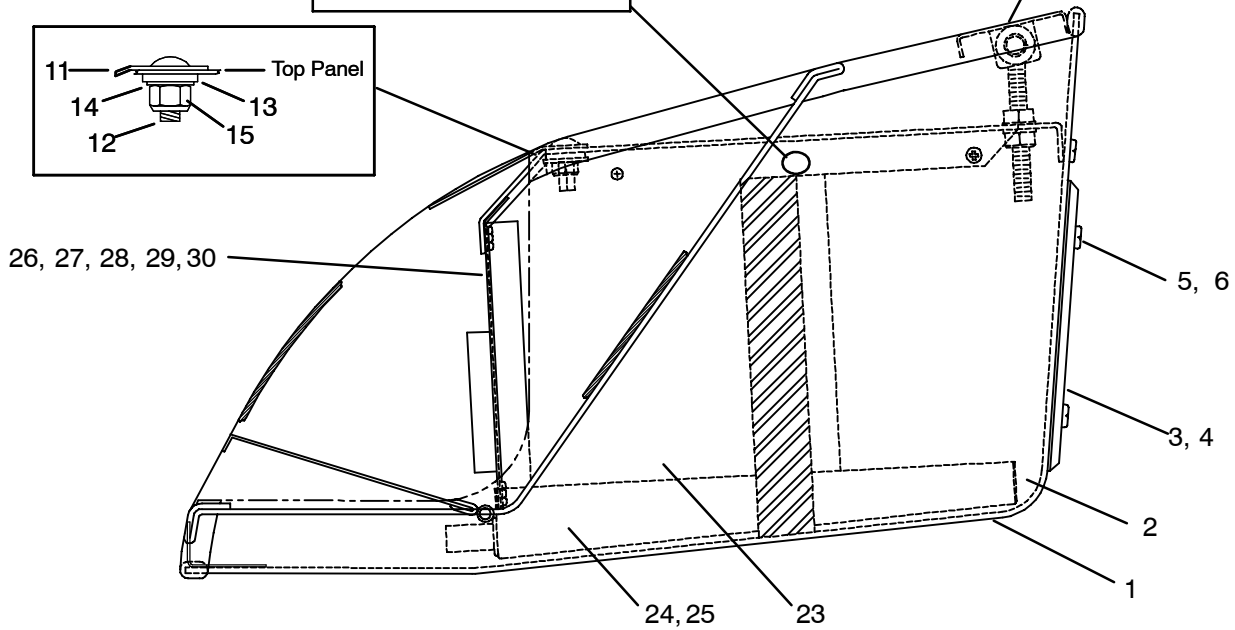
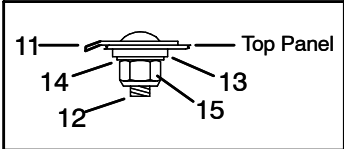
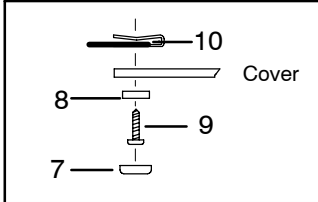
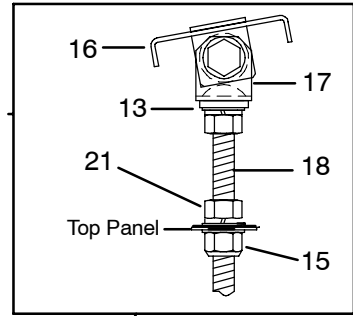
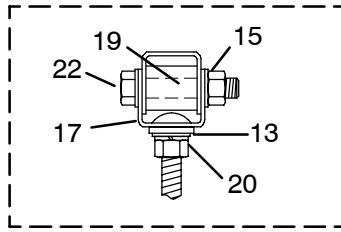
1.7.2 EVAPORATOR, EM-9, GEN 2, DUCTED



Item	Part Number	Description	Qty
1	AC021-158	Drain Pan Assembly	1
2	AC021-191	Coil Assembly, R12	1
	AC021-615	Coil Assembly, R134a	1
3	AC101-100	Valve, Thermal Expansion, R12	1
	14-00301-03	Valve, Thermal Expansion, R134a	1
4	AC021-195	Bracket, TXV	1
5	AC801-202	O-Ring, 1/2 Inch, (R-12/R-134a)	2
6	AC401-209A	Blower Assembly Kit, 12 VDC, Includes:	1
	76-62019-00Resistor Kit, (1.8 Ohm, 4 Prong)	1
	NSSBlower Assembly, Dual, 12 VDC - Includes: (AC401-209)	1
6	54-50079-00Motor, Blower, 12 VDC	1
	AC401-210A	Blower Assembly Kit, 24 VDC, Includes:	1
	76-62019-00Resistor Kit, (1.8 Ohm, 4 Prong)	1
	NSSBlower Assembly, Dual, 24 VDC, (AC401-210)	1
7	38-00558-00	Filter Assembly, Inlet, Metal	1
8	AC021-149	Harness Assembly, EM-9, 12 VDC	1
	AC021-307	Harness Assembly, EM-9, 24 VDC	1
9	AC021-142	Bracket, Harness Strand-off	2
N/S	AC201-609	Resistor, 3 Prong (Optional)	2
10	81-62019-00	Drain Pan	1

1.7.3 EVAPORATOR, EM-9, GEN 4, SIDE MOUNT, DUCTED

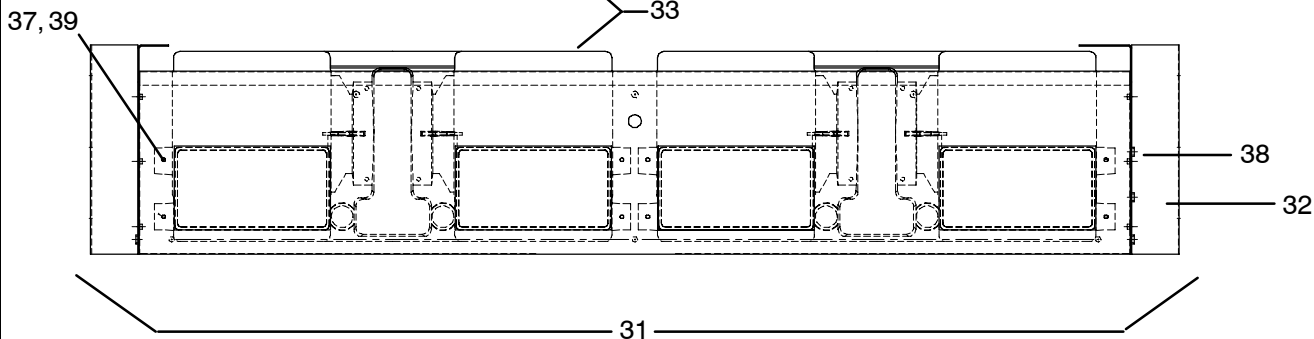
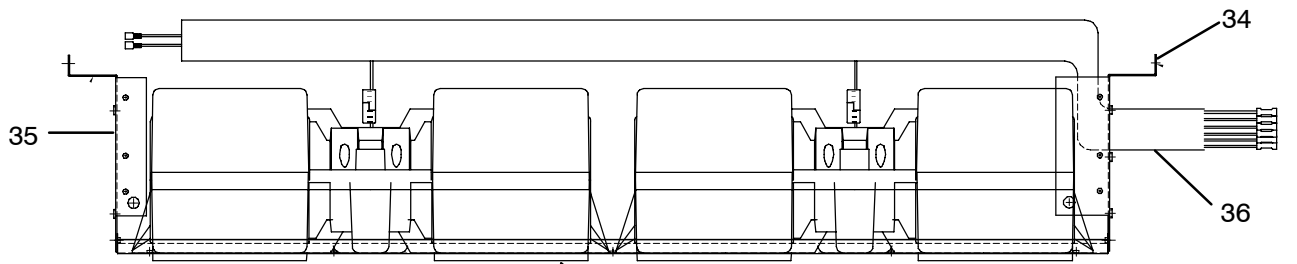
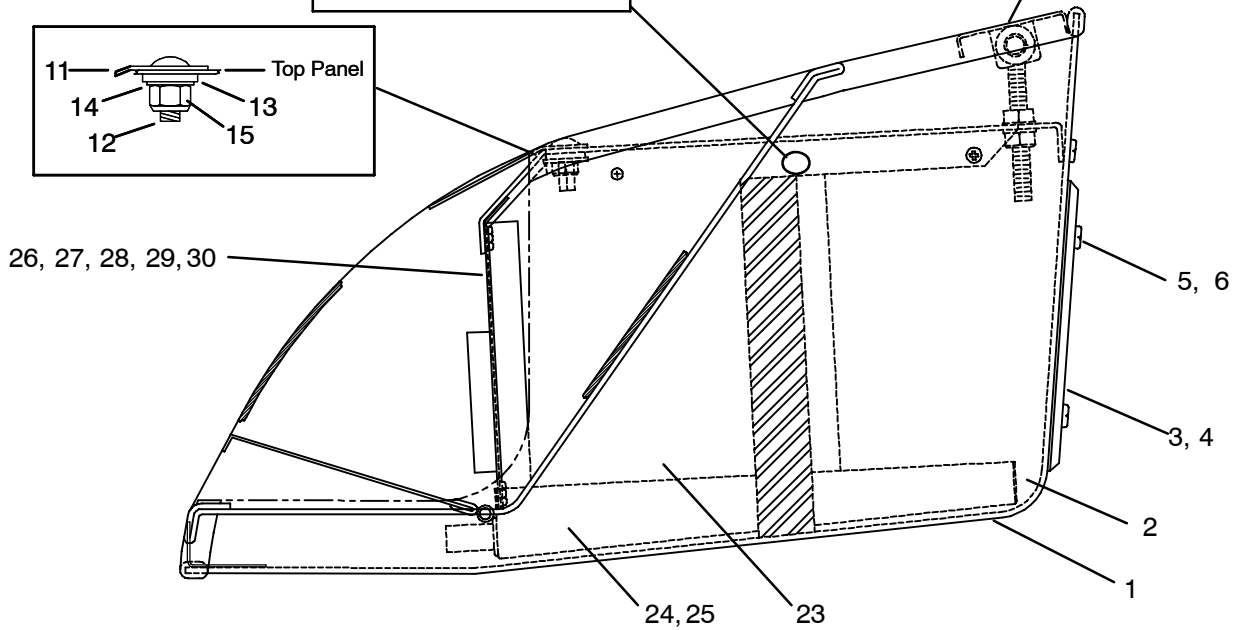
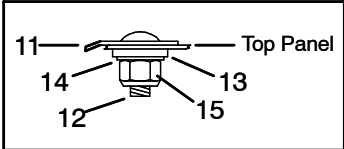
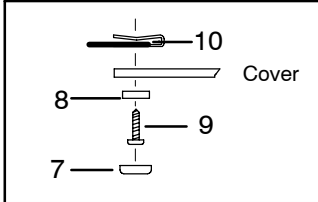
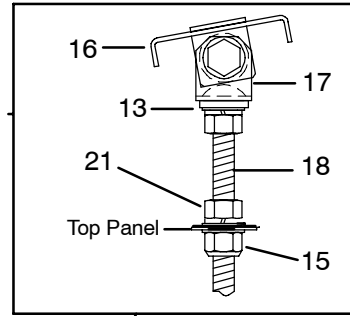
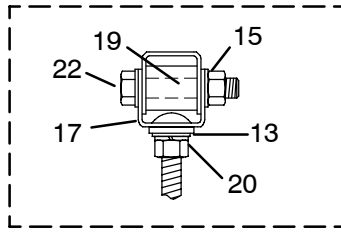
For replacement parts on EM-9
with serial #9-901741 to #



1.7.3 EVAPORATOR, EM-9, GEN 4, SIDE MOUNT, DUCTED, Continued			
Item	Part Number	Description	Qty
1	AC021-358	Cover Assembly, White - Includes:	1
2	AC021-357Cover, White	1
3	AC021-190-1Grill, Return Air, White	2
4	38-00558-00Filter, Air, Metal	2
5	AC701-106Tinnerman Clip, 1/4-20	8
6	AC801-307Screw, Nylon, Knurled Head, 1/4-20	8
1	AC021-366	Cover Assembly, Gray - Includes:	1
2	AC021-365Cover, Gray	1
3	AC021-190-2Grill, Return Air, Gray	2
4	38-00558-00Filter, Air, Metal	2
5	AC701-106Tinnerman Clip, 1/4-20	8
6	AC801-307Screw, Nylon, Knurled Head, 1/4-20	8
1	AC021-042	Cover Assembly, Beige - Includes:	1
2	AC021-189Cover, Beige	1
3	AC021-190Grill, Return Air, Beige	2
4	38-00558-00Filter, Air, Metal	2
5	AC701-106Tinnerman Clip, 1/4-20	8
6	AC801-307Screw, Nylon, Knurled Head, 1/4-20	8
7	AC801-531	Snap Cap, White	11
	AC801-532	Snap Cap, Gray	11
	AC801-530	Snap Cap, Beige	11
8	AC801-529	Washer, Snap Cap	11
9	34-62046-00	Screw, TF Pan Head, #10 X 5/8 Inch Long, AB, Black	11
10	AC701-123	Clip, Tinnerman, High Torque, 10 AB	14
11	AC021-188	Rear Hanger, Side Mount	1
12	34-01310-00	Bolt, Carriage, Round Head, 3/8-16 X 1-1/4 Inch, Zinc plated	2
13	AC601-602	Spacer, Steel, 7/8 OD X 1/2 ID X 1/8 Inch Long	4
14	34-00366-13	Washer, Flat, 3/8 Inch, Zinc Plated	8
15	34-00361-13	Nut, Hex, Lock, 3/8-16, Zinc Plated	6
16	AC020-174	Bracket, Weld Assembly, Front Hanger	1
17	AC021-223	Bracket, Hanger, Front	2
18	34-01310-02	Bolt, Carriage, Round Head, 3/8-16 X 6 Inch, Zinc plated	2
19	AC601-616	Spacer, Steel, 7/8 OD X 1/2 ID X 1 Inch Long	2
20	34-00368-13	Washer, Split Lock, 3/8 Inch, Zinc Plated	6
21	34-00363-13	Nut, Hex, 3/8-16, Zinc Plated	4
22	17-40034-05	Bolt, Hex Head, 3/8-16 X 2 Inch, Zinc Plated, Grade 8	2
23	08-62066-00	Coil, Evaporator, EM-9, 3 Row, Without Heat	1
	08-62065-00	Coil, Evaporator/Heater, EM-9, 3/1 Row, With Heat	1
24	81-62019-00	Drain Pan Assembly, Painted	1
25	AC801-416	Gasket, Foam, 1/8 X 12-3/4 X 300 Ft.	1
26	AC201-501	Thermostat, Freeze-Up	1
27	76-62019-00	Resistor Kit, (1.8 OHM, 4-Prong)	2
28	14-00301-03	Valve, Thermal Expansion, Block	1
29	AC801-202	O-Ring, 1/2 Inch HNBR	2
30	AC021-195	Bracket, TXV	1
31	79-62005-00	Blower Mounting Assembly, 12 VDC, EM-9 - Includes:	1
32	AC021-187Panel, Blower Mounting	1

1.7.3 EVAPORATOR, EM-9, GEN 4, SIDE MOUNT, DUCTED, Continued

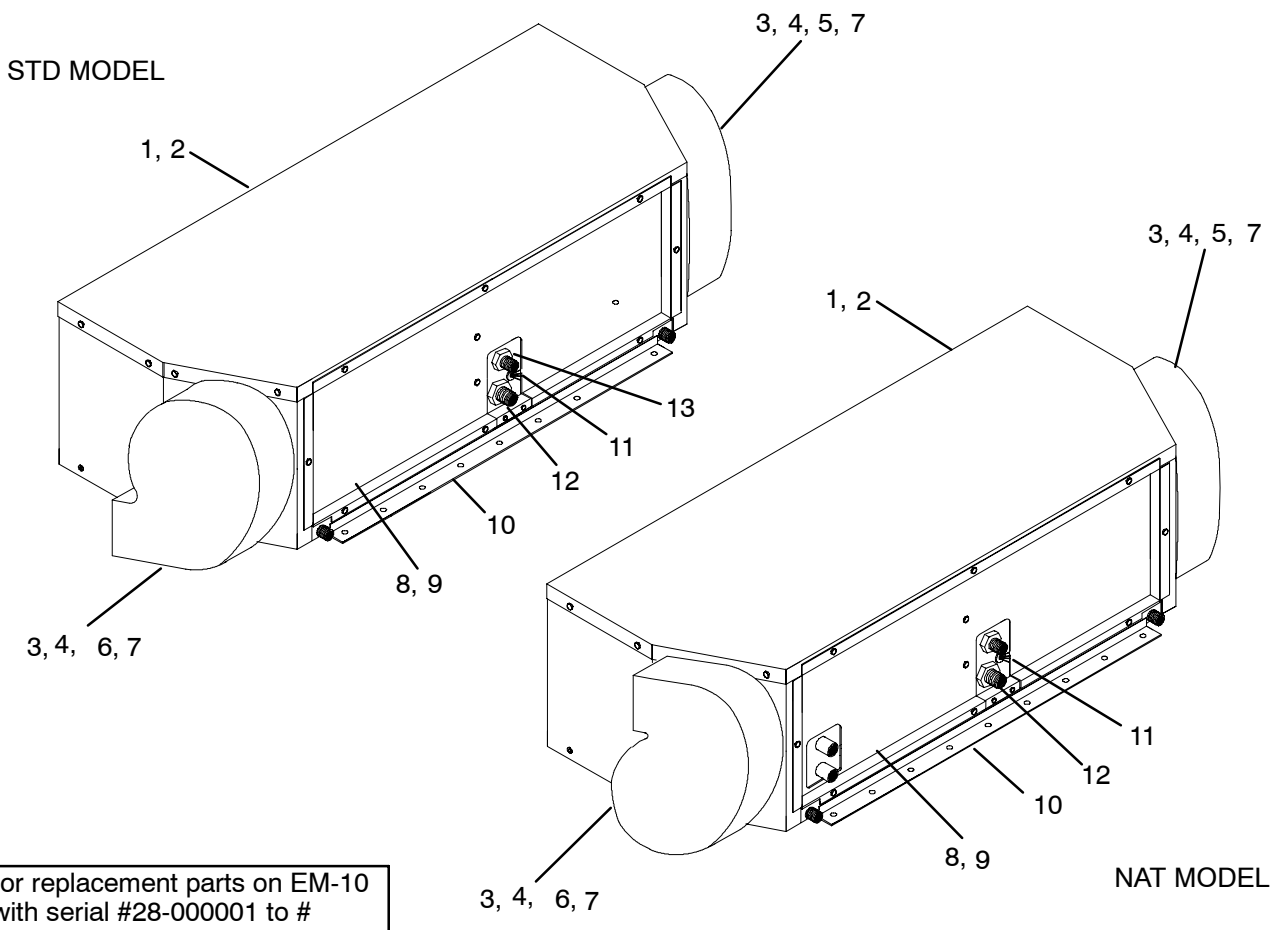
For replacement parts on EM-9
with serial #9-901741 to #



1.7.3 EVAPORATOR, EM-9, GEN 4, SIDE MOUNT, DUCTED, Continued			
Item	Part Number	Description	Qty
33	AC401-232Blower Assembly, 12 VDC	2
34	AC021-182Blower Housing , Left	1
35	68-62237-00Blower Housing, Right Side	1
36	22-62022-00Wire, Harness, EM-9	1
31	79-62005-01	Blower Mounting Assembly, 24 VDC, EM-9 - Includes:	1
32	AC021-187Panel, Blower Mounting	1
33	AC401-233Blower Assembly, 24 VDC	2
34	AC021-182Blower Housing , Left	1
35	68-62237-00Blower Housing, Right Side	1
36	22-62022-00Wire, Harness, EM-9	1
31	79-62005-02	Blower Mounting Assembly, GSA, EM-9 - Includes:	1
32	AC021-187Panel, Blower Mounting	1
33	54-00588-00Fan & Motor Assembly, Evaporator (GSA)	2
34	AC021-182Blower Housing , Left	1
35	68-62237-00Blower Housing, Right Side	1
36	22-62127-00Wire, Harness, EM-9, GSA	1
37	34-00361-11	Nut , Lock, 1/4-20 ESNA	8
38	34-50057-00	Screw, Phillips W/Ext. Tooth Lock Washer, #10-32 X 1/2 Inch Long	6
39	34-50040-00	Bolt, Hex Head W/Split Lock Washer, 1/4-20 X 5/8	8

SECTION 1.8 EM-10 EVAPORATORS

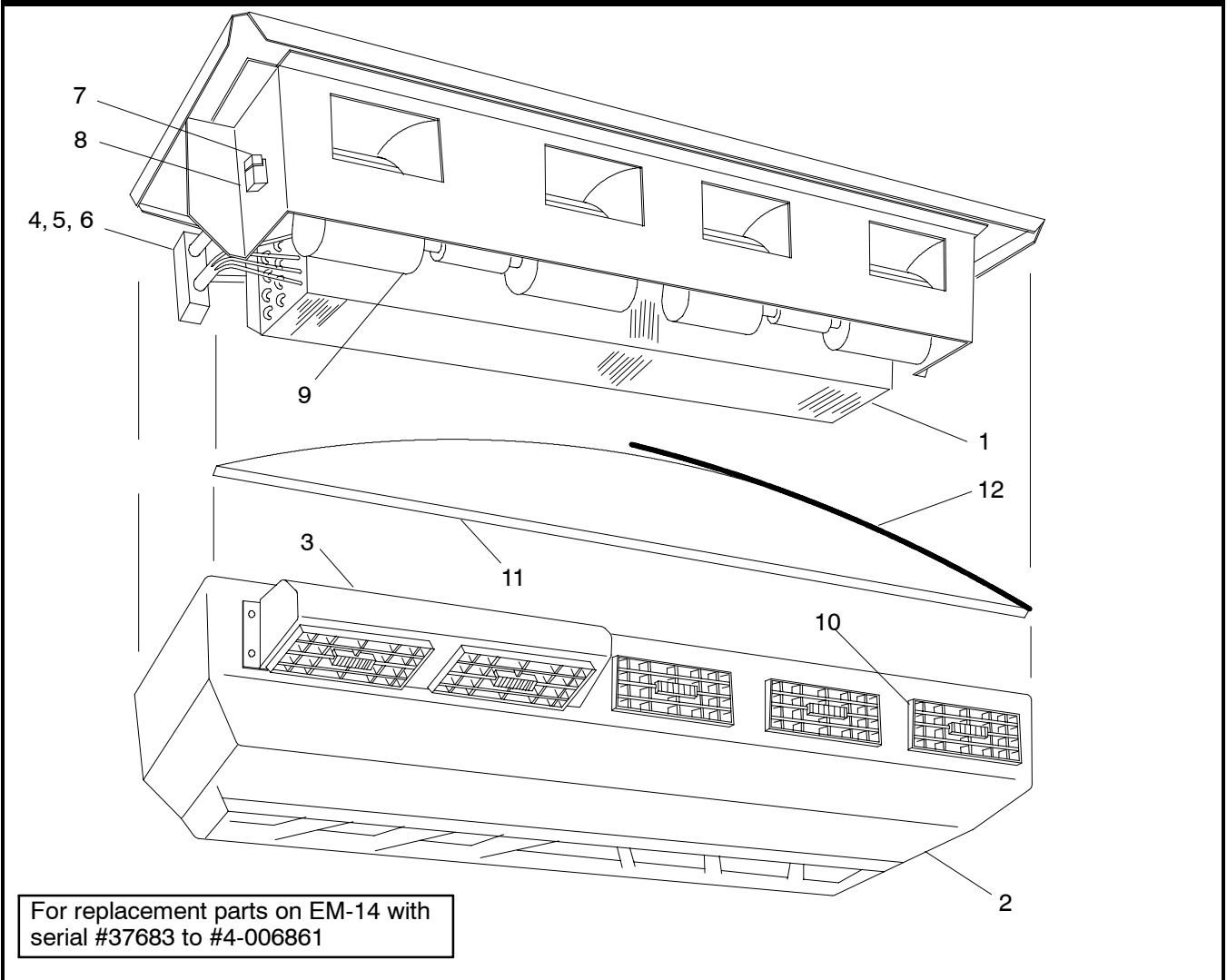
1.8.1 EVAPORATOR, EM-10, STD & NAT MODELS



Item	Part Number	Description	Qty-STD	Qty-NAT
1	AC021-318	Coil Assembly,	1	1
2	AC021-394	Coil Assembly, Heat	1	1
3	AC501-122	Motor	2	2
4	AC401-215	Blower Wheel	2	2
5	AC021-356	Housing, Blower, Insulated, Passenger Side	2	1
6	AC021-396	Housing, Blower, Insulated, Drivers Side	N/A	1
7	AC401-217	Ring, Venturi	2	2
8	66U1-1224-24	Valve, Expansion, R12	1	N/A
	66U1-1224-7	Valve, Expansion, R134a	N/A	1
9	AC201-615	Resistor, .25OHMS, With Mounting Brackets	N/A	1
10	AC801-443	Filter, Return Air	1	1
11	AC301-682	Fitting, 37°, JIC O-Ring, 1-1/16 X 12 Thread	1	N/A
	40-00491-09	Fitting, ORS, 1-14 X 5/8 Inch Outside Diameter	N/A	1
12	DE07DA612	Fitting, 37°, JIC O-Ring, 1-5/8 X 12 Thread	1	N/A
	40-00491-03	Fitting, ORS, 1-11/16 X 1-1/8 Inch Outside Diameter	N/A	1
13	34-06088-01	Locknut, ORS, 1-11/16 X 12 Thread	N/A	1

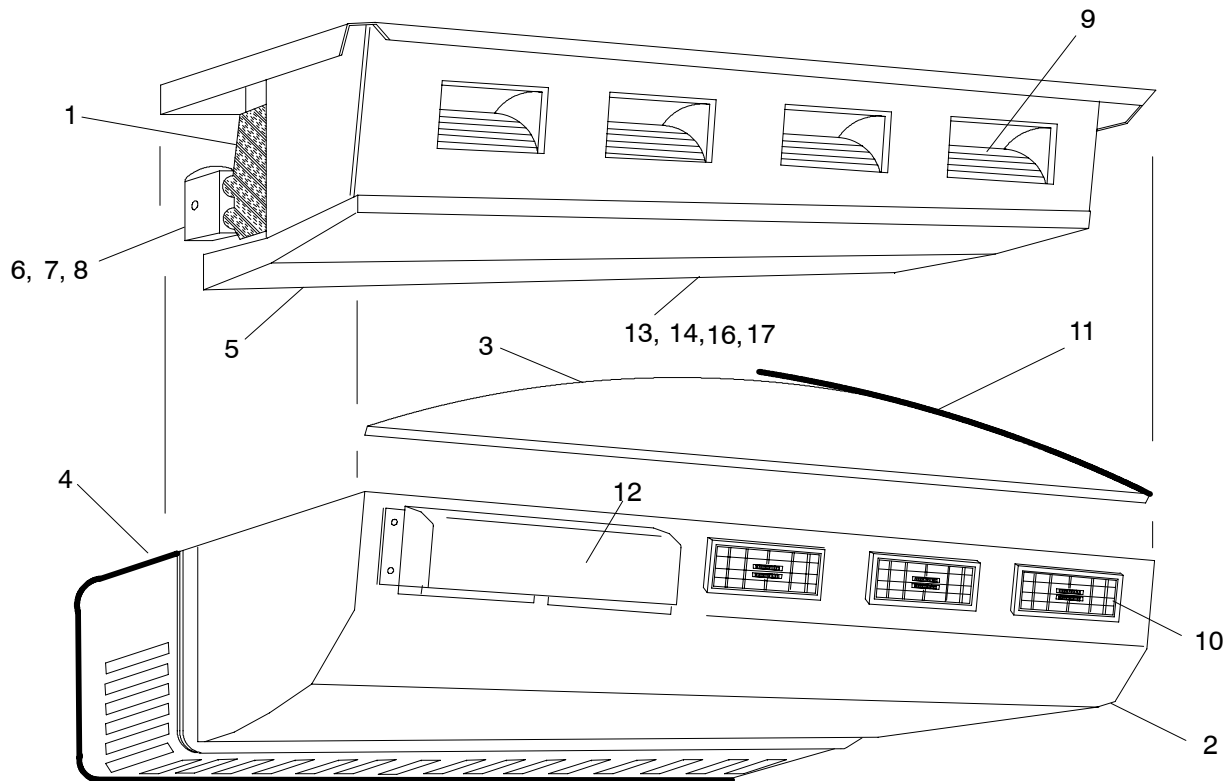
SECTION 1.9 EM-14 EVAPORATORS

1.9.1 EVAPORATOR, EM-14, GEN 1, FREE BLOW



Item	Part Number	Description	Qty
1	AC020-105	Coil Assembly	1
2	AC020-118	Cover Assembly, Beige, (Standard)	1
	AC020-129	Cover Assembly, White, (Optional)	1
3	AC020-253	Snoot, Black, (Optional)	1
4	AC101-100	Valve, Thermal Expansion	1
5	AC020-121	Spacer, TXV	1
6	AC801-202	O-Ring, 1/2 Inch	2
7	AC201-806	Relay, 12 VDC, High Speed	1
	AC201-807	Relay, 24 VDC, High Speed	1
8	AC201-904	Connector, Harness	1
9	AC401-203	Blower Assembly, 12 VDC	2
	AC401-204	Blower Assembly, 24 VDC	2
10	AC401-302	Louver Assembly, (2 Inch X 5-1/2 Inch)	5
11	AC020-005-1	Trim Strip, White	1
12	AC801-415	Trim, Flexible, Black X Foot	5

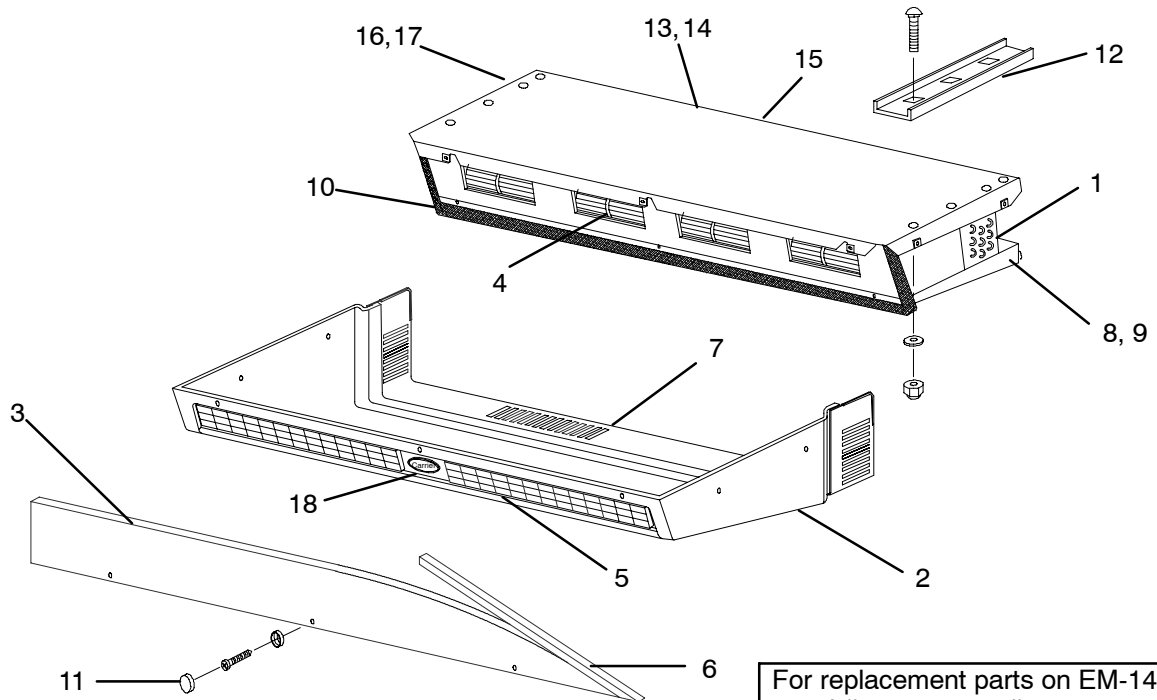
1.9.2 EVAPORATOR, EM-14, GEN 2, FREE BLOW



For replacement parts on EM-14 with serial #4-007001 to #4-016001

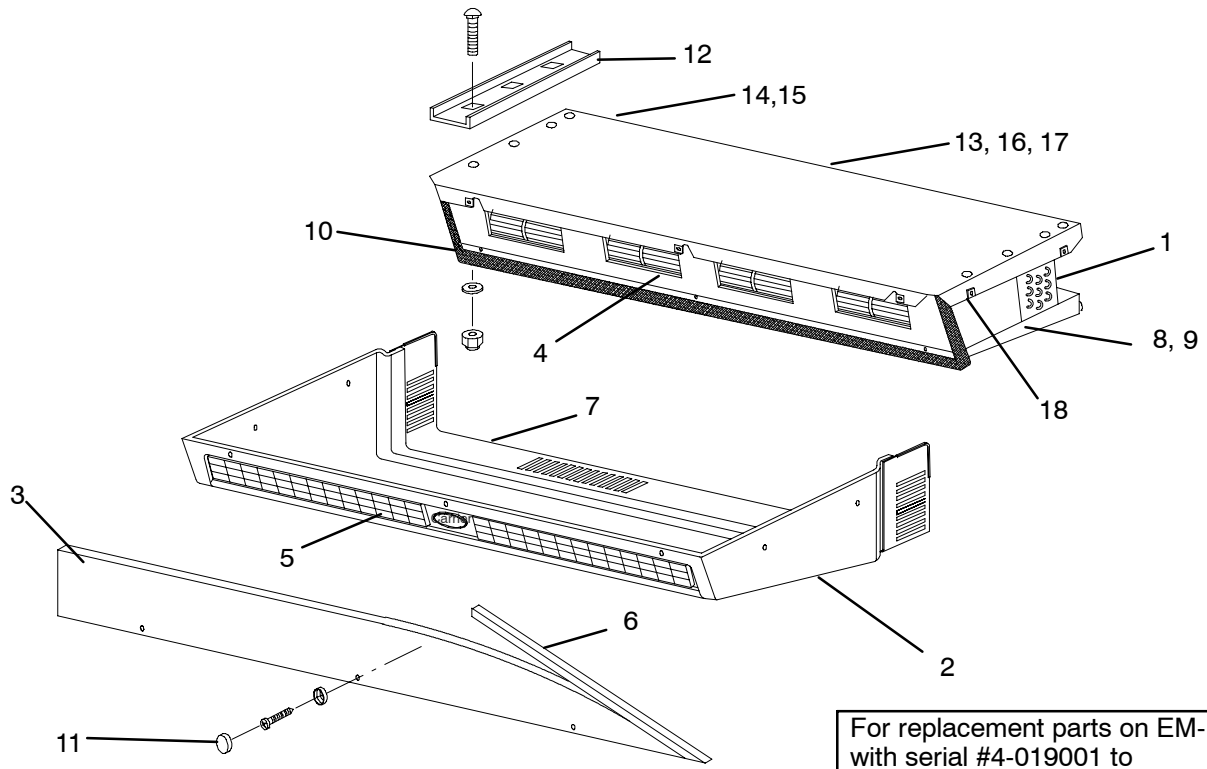
Item	Part Number	Description	Qty
1	AC021-218	Coil Assembly, R12	1
	AC021-603	Coil Assembly, R134a	1
2	N/A	Cover, Assembly, Beige, (Standard) (AC021-059)	1
	N/A	Cover Assembly, White, (Optional) (AC021-060)	1
	N/A	Cover Assembly, Gray, (Optional) (AC021-076)	1
3	AC020-005-1	Trim Strip, White	1
4	AC021-203	Grill, Air Inlet, Rear, (Black)	1
5	AC021-220	Drain Pan Assembly	1
6	AC101-100	Valve, Thermal Expansion, R12	1
	14-00301-03	Valve, Thermal Expansion, R134a	1
7	AC021-207	Bracket, TXV	1
8	AC801-202	O-Ring, 1/2 Inch, (R-12/R-134a)	2
9	AC401-203	Blower Assembly, 12 VDC	2
	AC401-204	Blower Assembly, 24 VDC	2
10	AC401-302	Louver Assembly, (2 Inch X 5-1/2 Inch)	5
11	AC801-415	Trim, Flexible, Black X Foot	5
12	AC020-253	Snoot, EM-14, Black, (Optional)	1
13	AC801-419	Filter, Metal	1
14	AC701-107	Clip, Filter	2
15	AC021-208	Bracket, Heat Connections	1
16	AC201-501	Thermostat, Coil Insert, (Optional)	1
17	AC701-233	Clamp, Double, 5/8 Inch O.D. Tube	1

1.9.3 EVAPORATOR, EM-14, GEN 3, FREE BLOW



Item	Part Number	Description	Qty
1	AC022-338-S	Coil Assembly	1
	AC022-475-S	Coil Assembly, With Heat	1
2	N/A	Cover Assembly, Beige (AC022-350-S)	1
	79-62070-00	Cover Assembly, White	1
	79-62070-01	Cover Assembly, Gray Noryl	1
3	68-62574-00	Trim Strip, Beige	1
	68-62579-01	Trim Strip, White/Gray	1
4	AC401-203	Blower Assembly, 12 VDC	2
	AC401-229	Blower Assembly, 24 VDC	2
5	AC401-320	Louver Assembly, (14-3/8 Inch X 3-3/8 Inch)	2
6	AC801-415	Trim, Flexible, Black X Foot	10
7	AC022-254	Grill, Return Air, Painted	1
8	AC022-339-S	Drain Pan Assembly, (Foamed)	1
9	AC022-316	Baffel, Foam, EM-14 Drain Pan	1
10	AC801-403	Gasket, Foam, 1-1/4 Inch X 1-1/4 Inch X 25 Foot Roll	1
11	AC801-530	Cap, Snap, Beige	7
	AC801-531	Cap, Snap, White	7
	AC801-532	Cap, Snap, Gray	7
12	AC020-009	Channel, Mounting	2
13	AC201-501	Thermostat, Freeze-Up	1
14	AC022-326	Harness, Unit, EM-14, 12/24 VDC	1
15	AC801-454	Filter, Return Air, 35 X 7-1/4 Inches	1
16	14-00301-03	Valve, Thermal Expansion	1
17	AC801-202	O-Ring, 1/2 Inch	2
18	AC022-291	Emblem, Carrier, (1-3/4 Inch)	1
N/S	AC022-390	Snoot & Adapter Assembly (Optional)	1

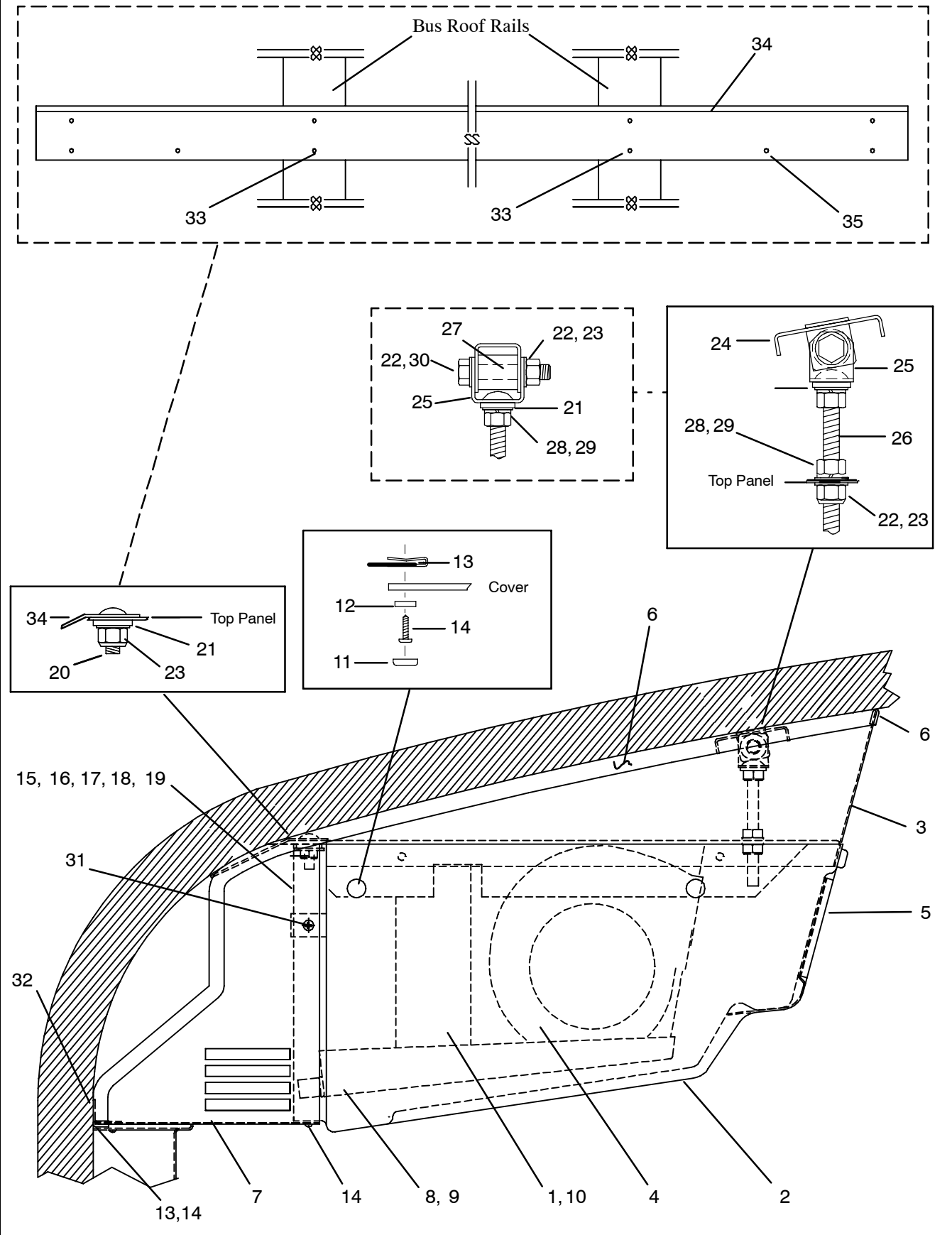
1.9.4 EVAPORATOR, EM-14, GEN 4 SERIES, FREE BLOW



For replacement parts on EM-14 with serial #4-019001 to

1.9.4 EVAPORATOR, EM-14, GEN 4 SERIES, FREE BLOW - Continued:			
Item	Part Number	Description	Qty
1	08-62064-00	Coil Assembly, With Low Pressure Switch Connection	1
	08-62063-00	Coil Assembly, With Heat, With Low Pressure Switch Connection	1
2	79-62070-00	Cover Assembly, White	1
	79-62070-01	Cover Assembly, Gray	1
	N/A	Cover Assembly, Beige (AC022-350-S)	1
3	68-62579-01	Trim Strip, White/Gray	1
	68-62574-00	Trim Strip, Beige	1
4	AC401-203	Blower Assembly, 12 VDC	2
	AC401-204	Blower Assembly, 24 VDC	2
5	AC401-320	Louver, Assembly, (14-3/8 Inch X 3-3/8 Inch)	2
6	AC801-415	Trim, Flexible, Black X Foot	10
7	AC022-254	Grill, Return Air, Painted	1
8	AC022-739	Drain Pan, Assembly, (Foamed)	1
9	AC022-746	Baffle, Foam, EM-14 Drain Pan	1
10	AC801-403	Gasket, Foam, 1-1/4 Inch X 1-1/4 Inch X 25 Foot Roll	1
11	AC801-530	Cap, Snap, Beige	7
	AC801-531	Cap, Snap, White	7
	AC801-532	Cap, Snap, Gray	7
12	AC020-009	Channel, Mounting	2
13	AC201-501	Thermostat, Freeze-Up	1
14	14-00301-03	Valve, Thermal Expansion, R134a	1
15	AC801-202	O-Ring, 1/2 Inch	2
16	AC801-461	Filter, return Air, 28-1/2 X 5 Inches	1
17	AC022-744	Harness, Unit, Em-14, (12/24 VDC)	1
18	AC701-123	Tinnerman Clip, Hi-Torque #10AB	7

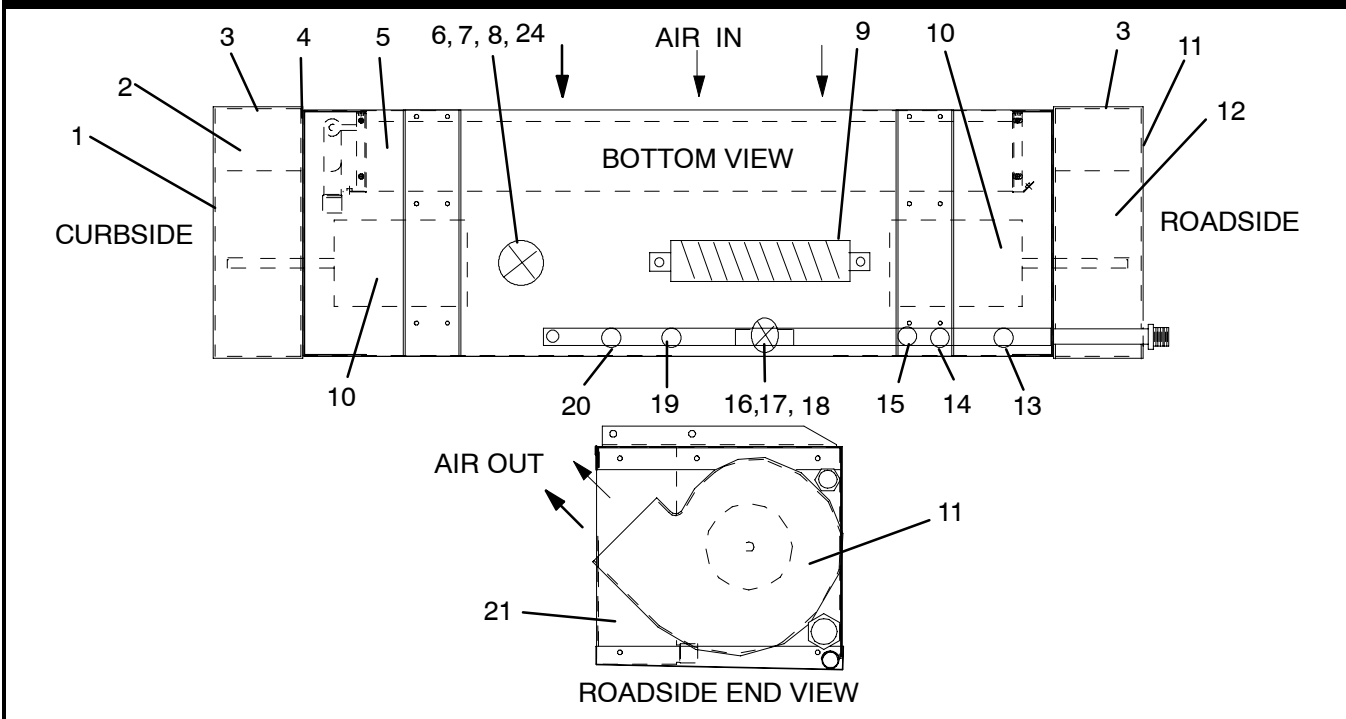
1.9.5 EVAPORATOR, EM-14, GEN 4, SIDE MOUNT



1.9.5 EVAPORATOR, EM-14, GEN 4, SIDE MOUNT, Continued:			
Item	Part Number	Description	Qty
1	08-62064-00	Coil Assembly, With Low Pressure Switch Connection	1
	08-62063-00	Coil Assembly, With Heat, With Low Pressure Switch Connection	1
2	79-62070-00	Cover Assembly, White	1
	79-62070-01	Cover Assembly, Gray	1
	AC022-350-S	Cover Assembly, Beige	1
3	AC022-294	Trim Strip, Beige	1
	AC022-294-1	Trim Strip, White	1
	AC022-294-2	Trim Strip, Gray	1
4	AC401-203	Blower Assembly, 12 VDC	2
	AC401-204	Blower Assembly, 24 VDC	2
5	AC401-320	Louver Assembly, (14-3/8 Inch X 3-3/8 Inch)	2
6	AC801-415	Trimlock, Flexible, Black X Foot	10
7	AC022-296P	Grill, Air Inlet, Painted	1
8	AC022-739-S	Drain Pan, Assembly, (Foamed)	1
9	AC022-746	Baffle, Foam, EM-14 Drain Pan	1
10	AC801-403	Gasket, Foam, 1-1/4 Inch X 1-1/4 Inch X 25 Foot Roll	1
11	AC801-530	Cap, Snap, Beige	7
	AC801-531	Cap, Snap, White	7
	AC801-532	Cap, Snap, Gray	7
12	AC801-529	Washer, Snap Cap	7
13	AC701-123	Clip, Tinnerman, High Torque, 10 AB	11
14	34-62046-00	Screw, TF Pan Head, #10 X 5/8 Inch Long, AB, Black	41
15	AC201-501	Thermostat, Freeze-Up	1
16	14-00301-03	Valve, Thermal Expansion, R134a	1
17	AC801-202	O-Ring, 1/2 Inch	2
18	AC801-461	Filter, return Air, 28-1/2 X 5 Inches	1
19	AC022-744	Harness, Unit, Em-14, (12/24 VDC)	1
20	34-01310-00	Bolt, Carriage, Round Head, 3/8-16 X 1-1/4 Inch, Zinc plated	2
21	AC601-602	Spacer, Steel, 7/8 OD X 1/2 ID X 1/8 Inch Long	4
22	34-00366-13	Washer, Flat, 3/8 Inch, Zinc Plated	8
23	34-00361-13	Nut, Hex, Lock, 3/8-16, Zinc Plated	6
24	AC021-226	Bracket, Weld Assembly, Front Hanger	1
25	AC021-223	Hanger Assembly, Front	2
26	34-01310-02	Bolt, Carriage, Round Head, 3/8-16 X 6 Inch, Zinc plated	2
27	AC601-616	Spacer, Steel, 7/8 OD X 1/2 ID X 1 Inch Long	2
28	34-00368-13	Washer, Split Lock, 3/8 Inch, Zinc Plated	6
29	34-00363-13	Nut, Hex, 3/8-16, Zinc Plated	4
30	17-40034-05	Bolt, Hex Head, 3/8-16 X 2 Inch, Zinc Plated, Grade 8	2
31	34-50060-00	Screw, Pan Head, Phillips, 1/4-20 X 1/2 Inch, AB, Black	2
32	AC020-179P	Angle, Rear, Screen Support, Painted Black	1
33	AC701-401	Rivet, Pop, 3/16 - Steel	20
34	AC022-308	Hanger Assembly, Rear	1
35	AC701-404	Rivet, Pop, 3/16 - Aluminum	60
N/S	98-62520	Instructions, Installation Drawing	1

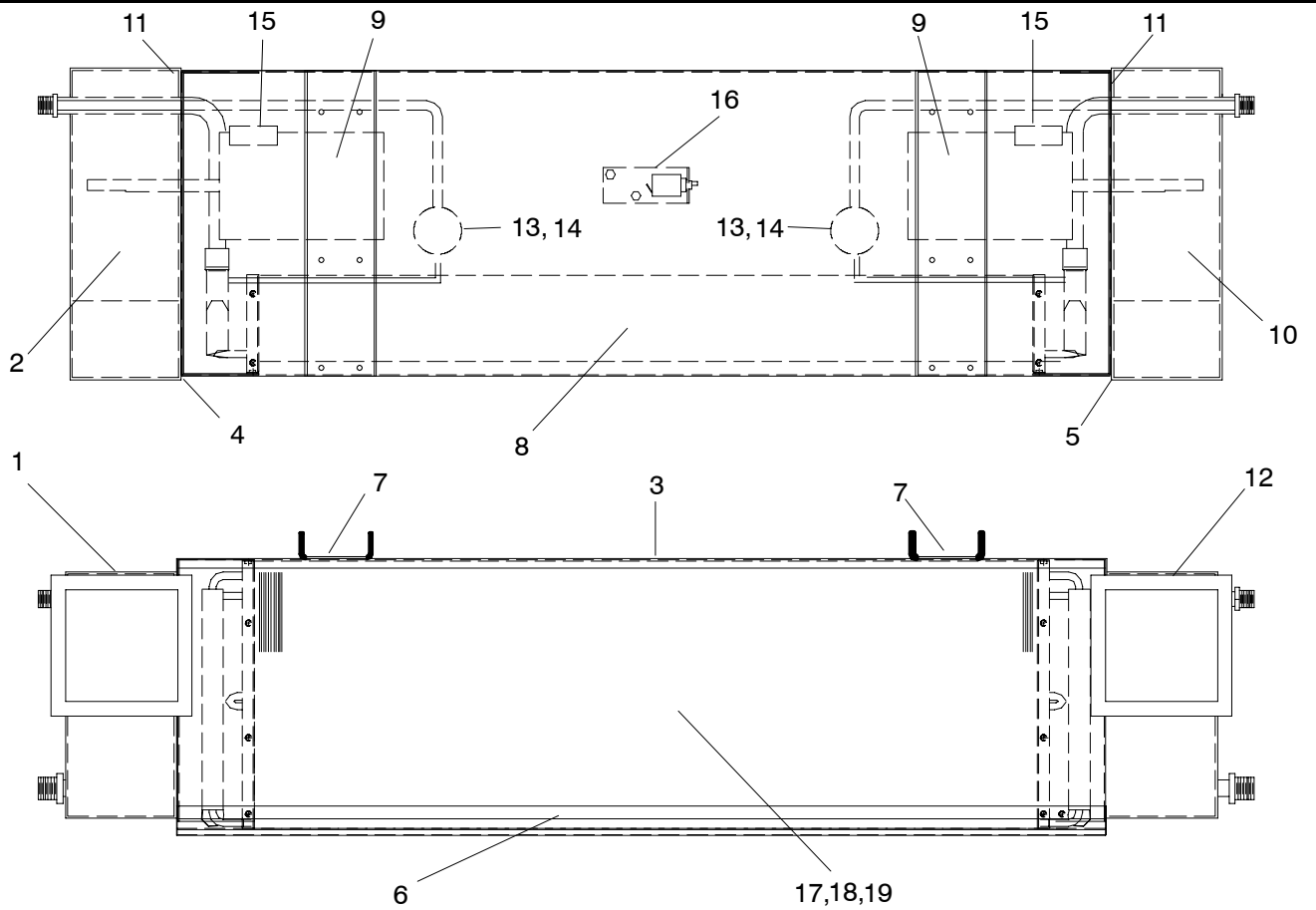
SECTION 1.10 EM-17 EVAPORATORS

1.10.1 EVAPORATOR, EM-17, SINGLE LOOP, GEN 4 SERIES



Item	Part Number	Description	Qty
1	AC021-356	Housing, Blower, Insulated, (Curbside)	1
2	AC401-215	Blower Wheel, (Curbside)	1
3	AC401-217	Venturi Ring	2
4	68-62037-00	Panel, Right, (Curbside)	1
5	08-62006-00	Coil Assembly	1
6	66U1-1214-5	Flange, Body, (TXV)	1
7	AC021-348P	Bracket, Mounting, TXV	1
8	14-01104-39	Valve, Thermal Expansion, R134a	1
9	22-01584-00	Resistor, With Bracket, (420 Watts)	1
10	AC501-122	Motor, Evaporator, (Lesson) - Includes:	2
N/S	22-50091-00Brush, Motor	2
N/S	04-50023-00Bearing, Motor	2
11	AC021-396	Housing, Blower, Insulated, (Roadside)	1
12	AC401-220	Blower Wheel, (Roadside)	1
13	12-00299-02	Switch, Pressure, UPS3	1
14	12-00299-18	Switch, Pressure, CFS1	1
15	12-00299-09	Switch, Pressure, CFS2	1
16	AC101-422	Valve, Solenoid, 5/8 Inch, Less Coil	1
17	22-50030-00	Coil, Solenoid, 24 VDC	1
18	14-50047-00	Repair Kit For Solenoid Valve AC101-422	1
19	12-00334-03	Switch, Pressure, UPS1. (R134a)	1
20	12-00334-02	Switch, Pressure, UPS2, (R134a)	1
21	68-62036-00	Panel, End, Driver Side	1
22	68-62070-00	Grille, Return Air	1
23	AC801-443	Filter, Return Air	1
24	AC021-344	Equalizer Tube, TXV	1
25	40-00491-15	Fitting, ORS, #10 X 2.11 X 5/8 Tube	1
26	40-00491-01	Fitting, ORS, #20 X 1.70 X 1-1/8 Tube	1

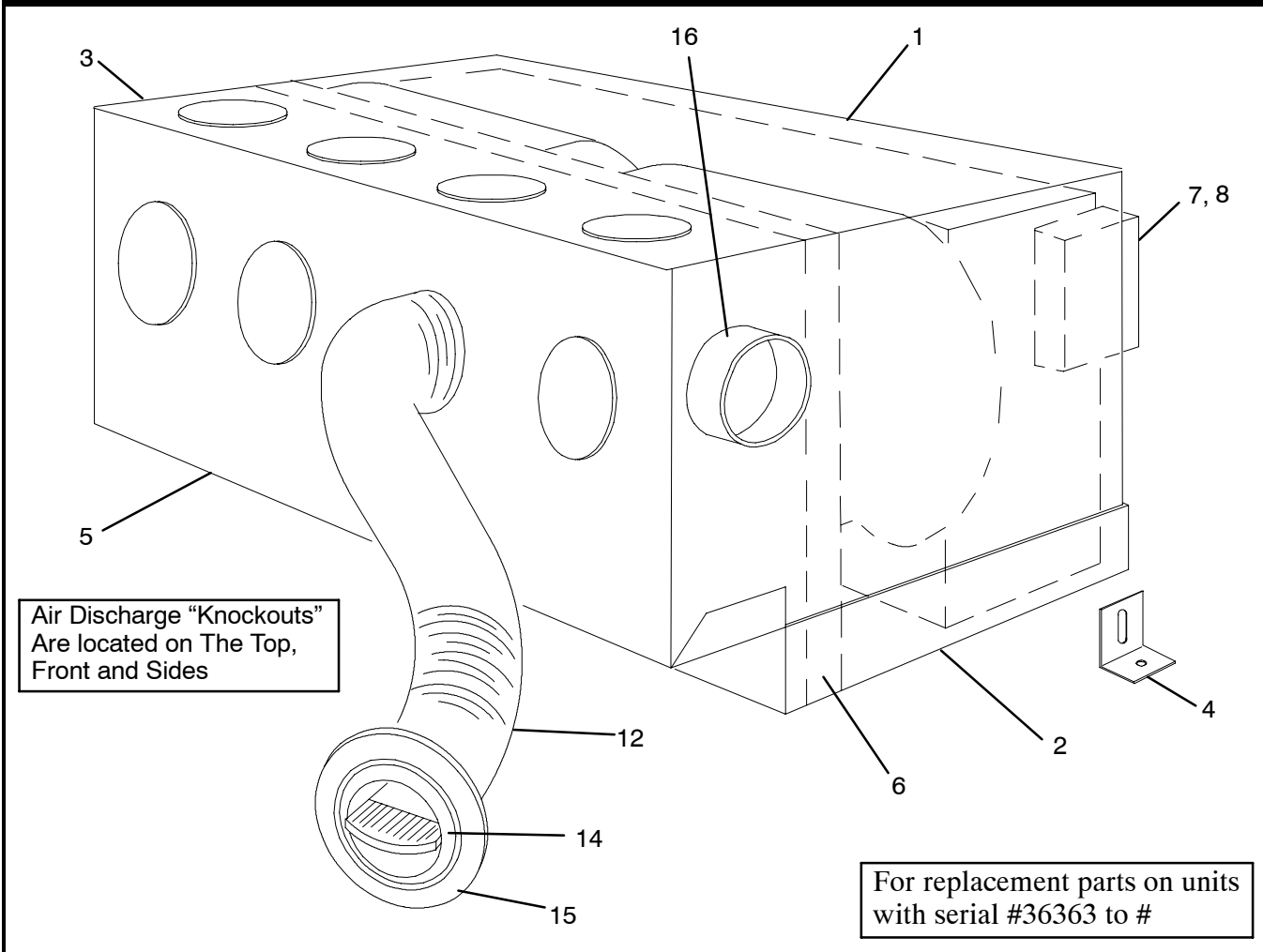
1.10.2 EVAPORATOR, EM-17, DUAL LOOP, GEN 4 SERIES



Item	Part Number	Description	Qty
1	AC021-396	Blower Housing, Right, (Curbside), Insulated	1
2	AC401-215	Blower Wheel, Right, (Curbside)	1
3	68-62049-00	Panel, Top, (Painted)	1
4	68-62497-00	Panel, Side, (Painted)	1
5	68-62498-00	Panel, Side, (Painted)	1
6	86-62016-00	Weldment, Drain Pan, (Painted)	1
7	68-62040-00	Bracket, Mounting, (Painted)	1
8	08-62006-00	Coil Assembly, Split	1
9	AC501-122	Motor, Evaporator, (Leeson) - Includes:	2
N/S	22-50091-00Brush, Motor	2
N/S	04-50023-00Bearing, Motor	2
10	AC401-220	Blower Wheel, (Drivers Side),	1
11	AC401-217	Venturi Ring	2
12	AC021-356	Blower Housing, Left, (Roadside), Insulated	1
13	66U1-1214-5	Flange Body, 1/2 ODF X 5/8 ODF, (TXV)	2
14	14-01104-37	Valve, Thermal Expansion, 2.5 Ton, No-MOP	2
15	12-00299-01	Switch, Pressure, Low	2
16	AC201-501	Thermostat, Freeze-Up, Dual Sensor	1
17	79-62019-00	Grill Assembly, Hinged	1
18	68-62411-00	Grill, Return Air	1
19	AC801-443	Filter, Return Air	1
20	56-62123-00	Tube, Equalizer	1
21	56-62123-01	Tube, Equalizer	1

SECTION 1.11 EM-20 EVAPORATORS

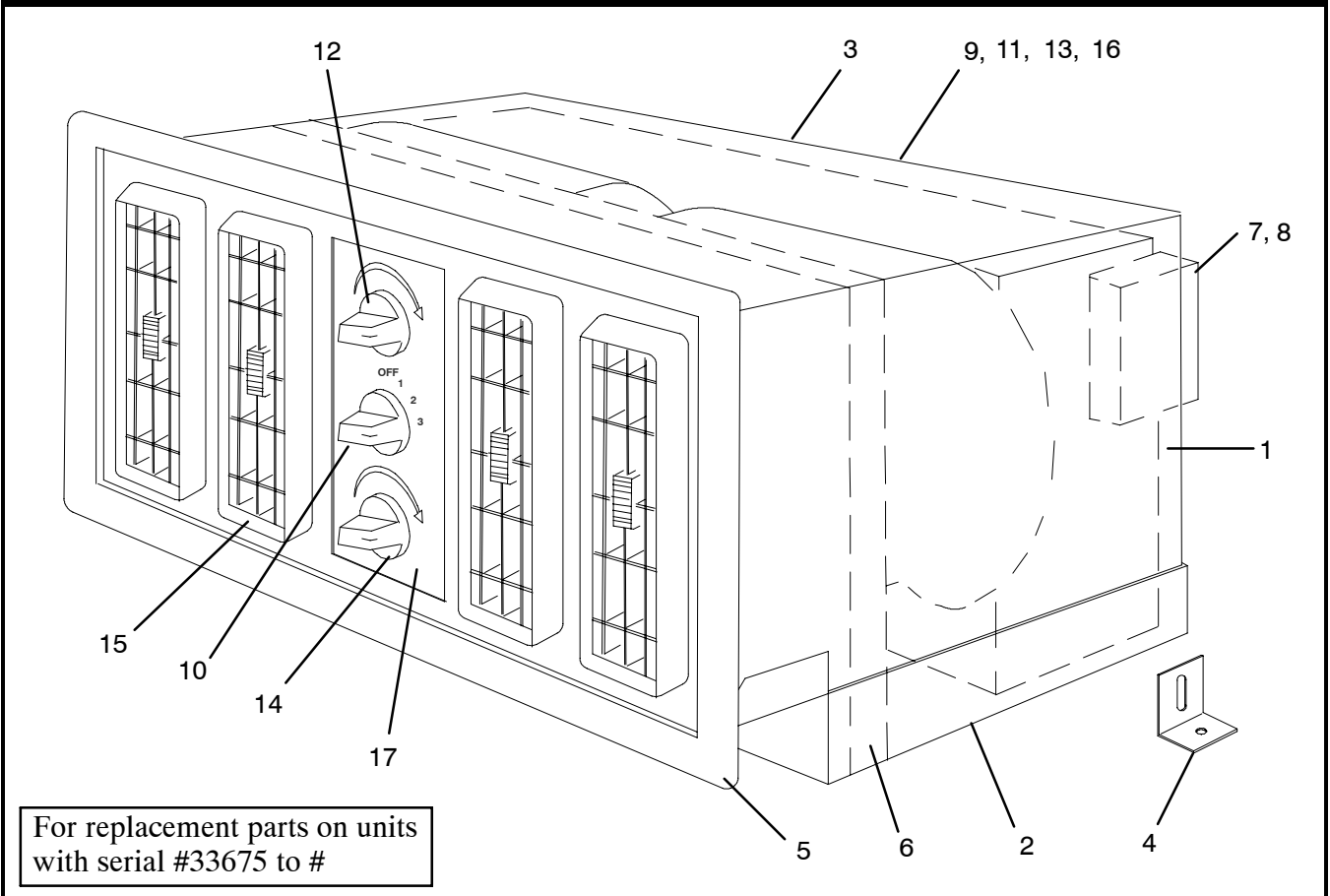
1.11.1 EVAPORATOR, EM-20, HEAT/COOL, DUCTED



Item	Part Number	Description	Qty
1	AC040-093	Coil Assembly, R12	1
	AC040-102	Coil Assembly, R134a	1
2	AC040-014	Weldment, Bottom Pan	1
3	AC040-015	Weldment, Cover	1
4	AC040-023	Angle, Mounting	2
5	AC040-024	Panel, Front	1
6	AC040-074	Blower Assembly, W/Mounting panel, 12 VDC	1
	AC040-075	Blower Assembly, W/Mounting panel, 24 VDC	1
7	AC040-076	Valve, Thermal Expansion, R12	1
	AC040-103	Valve, Thermal Expansion, R134a	1
8	AC801-202	O-Ring, 1/2 Inch, (R-12/R-134a)	2
9	AC101-402	Valve, Air Vent	1
10	AC201-501	Thermostat, Coil Insert, (Optional)	1
11	AC202-303	Knob, W/Snowflake, (Optional)	1
12	AC301-205	Hose, Flexible Duct 2-1/2 Inch Diameter X Foot	24
13	AC301-807	Nipple, 90°, (Heater Hose)	2
14	AC401-305	Louver, Ball, 2-1/2 Inch, (Metalized)	4
15	AC401-306	Sleeve, Mounting, Round, 4 Inch Diameter	4
16	AC401-307	Adapter, Hose, 2-1/2 Inch	4

SECTION 1.12 EM-21 EVAPORATORS

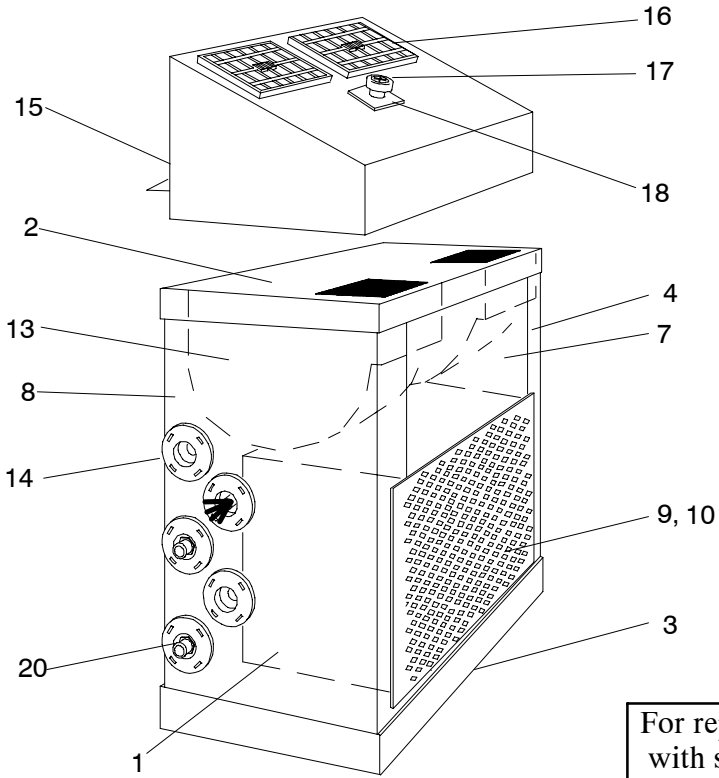
1.12.1 EVAPORATOR, EM-21, HEAT/COOL, FREE BLOW OR DUCTED



Item	Part Number	Description	Qty
1	AC040-095	Coil Assembly, R12	1
	AC040-109	Coil Assembly, R134a	1
2	AC040-014	Weldment, Bottom Pan	1
3	AC040-015	Weldment, Cover	1
4	AC040-023	Angle, Mounting	2
5	AC040-013	Bezel, Front	1
6	AC040-074	Blower Assembly, W/Mounting panel, 12 VDC	1
	AC040-075	Blower Assembly, W/Mounting panel, 24 VDC	1
7	AC040-076	Valve, Thermal Expansion, R12	1
	AC040-103	Valve, Thermal Expansion, R134a	1
8	AC801-202	O-Ring, 1/2 Inch, (R12/R 134a)	2
9	AC101-402	Valve, Air Vent	1
10	AC201-305	Switch, Fan Speed	1
11	AC101-400	Valve, Heat	1
12	AC701-502	Control, Heater Valve	1
13	AC201-501	Thermostat, Coil Insert	1
14	AC202-304	Knob, Pointer	3
15	AC401-302	Grill, Rectangle	4
16	AC301-807	Nipple, 90°, (Heater Hose)	1
17	AC901-502	Panel, Switch, W/Nameplate	1

SECTION 1.13 EM-22 EVAPORATORS

1.13.1 EVAPORATOR, EM-22, HEAT/COOL, FREE BLOW OR DUCTED



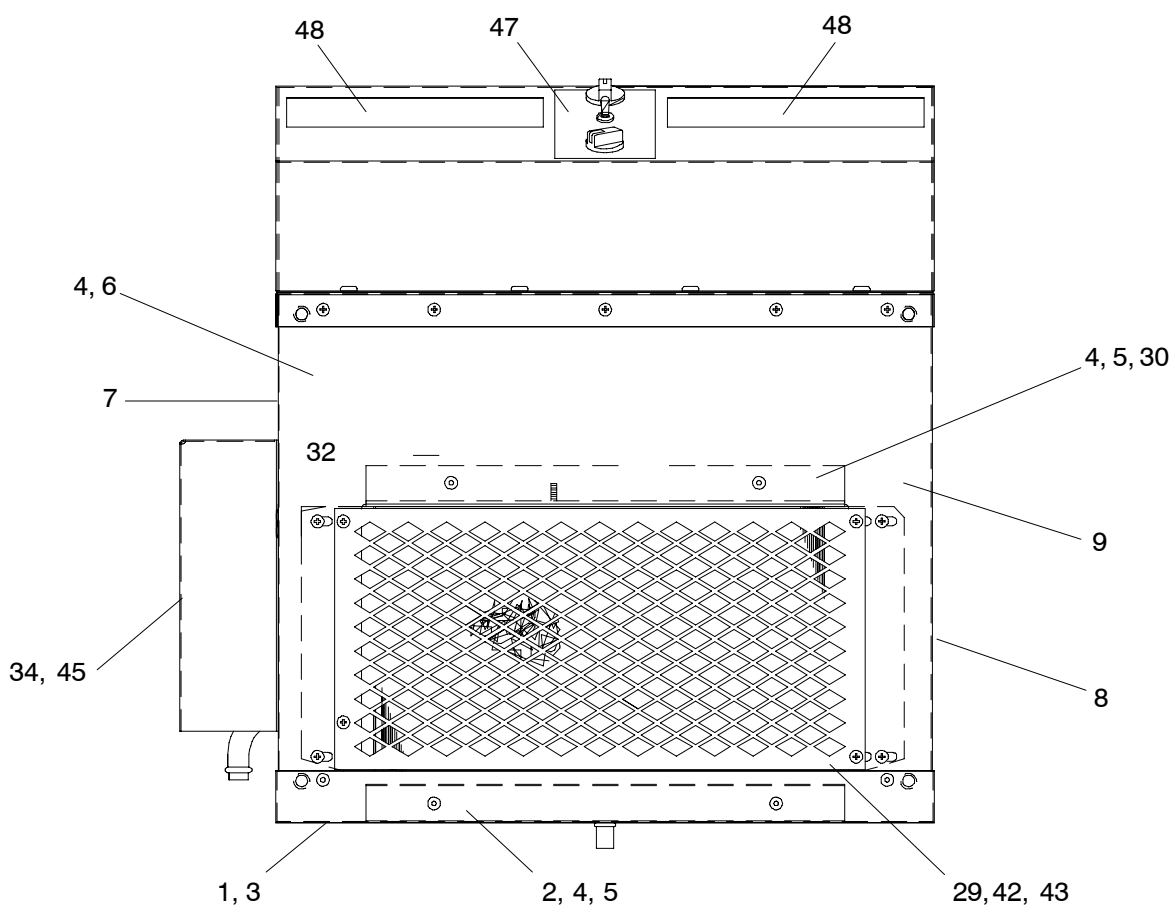
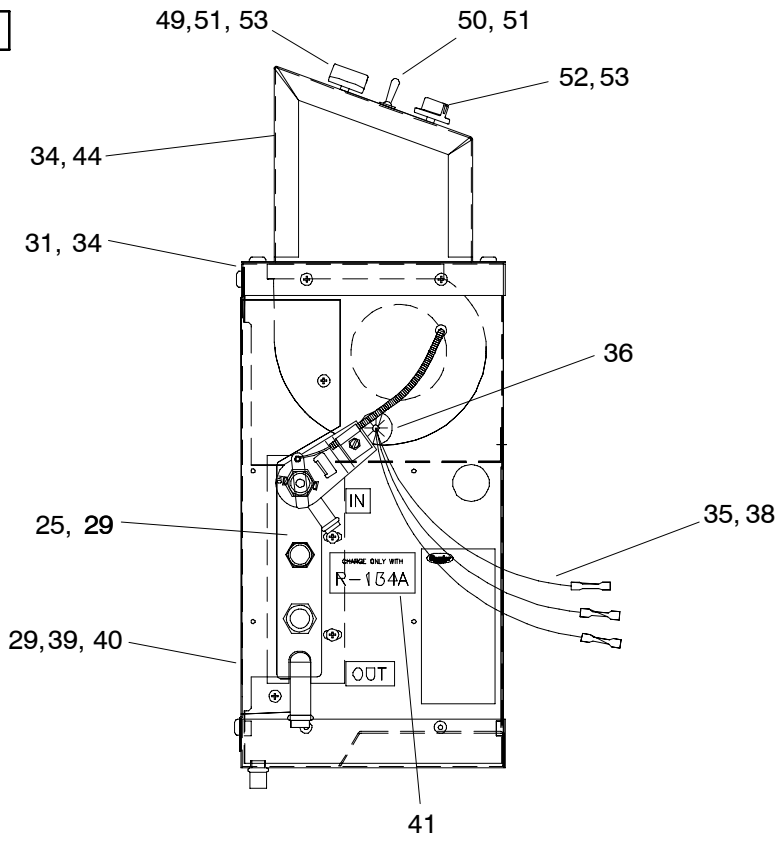
For replacement parts on units
with serial #36336 to #

1.13.1 EVAPORATOR, EM-22, HEAT/COOL, FREE BLOW OR DUCTED - Continued:

Item	Part Number	Description	Qty
1	AC040-094	Coil Assembly, R12	1
	AC040-110	Coil Assembly, R134a	1
2	AC040-041	Assembly, Top Panel	1
3	AC040-045	Assembly, Bottom Panel	1
4	AC040-046	Panel, Top Front	1
5	AC040-047	Panel, Top Rear	1
6	AC040-048	Panel, Bottom Rear	1
7	AC040-049	Panel, Right Side	1
8	AC040-050	Panel, Left Side	1
9	AC040-055	Assembly, Inlet Screen	1
10	38-00573-00	Filter, Air (.090 X 8.0 X 13.82 Inch)	
11	AC040-076	Valve, Thermal Expansion, R12	1
	AC040-103	Valve, Thermal Expansion, R134a	1
12	AC101-402	Valve, Air Vent	1
13	AC401-202	Blower Assembly, 12 VDC	1
	CM205-004R0	Blower Assembly, 24 VDC	1
14	AC801-308	Grommet, Quick-Loc	5
15	AC040-080	Weldment, Plenum	1
16	AC401-308	Assembly, Louver, 3 Inch X 7 Inch, Black	2
17	AC202-300	Knob, Fan, (Optional)	1
18	AC202-301	Plate, Fan, (Optional)	1
19	AC301-610	Fitting, 90 Brass Elbow, 3/8 MPT X 3/8 FPT	2
20	AC301-808	Fitting, Straight, Heater, 3/8 MPT X 5/8 Inch Hose	2
21	AC801-202	O-Ring, 1/2 Inch, (R 12/R 134a)	2

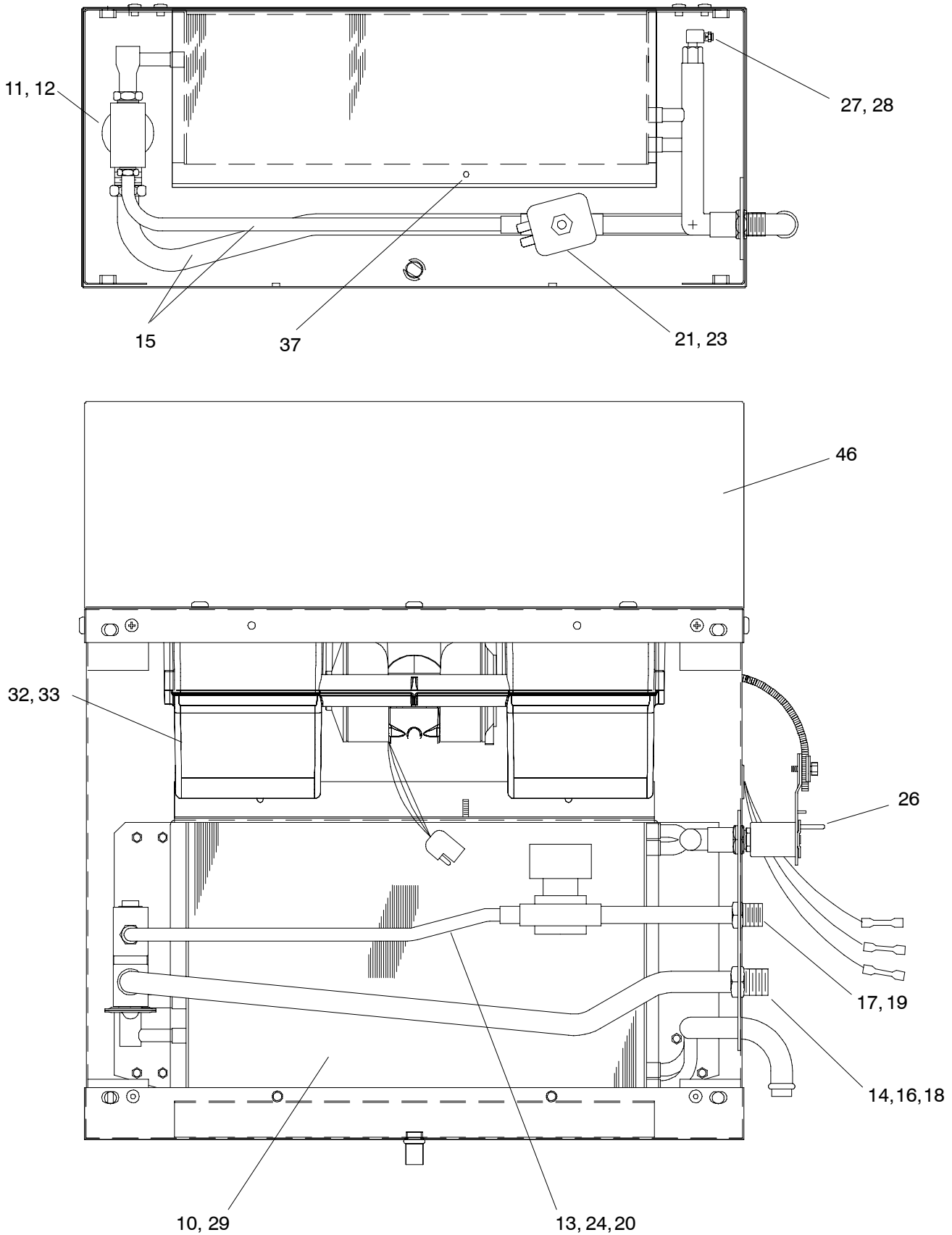
1.13.2 EVAPORATOR, EM-22, HEAT/COOL, (MODEL 77-62079-00 THRU -05)

12 VDC - AIR OUT TOP



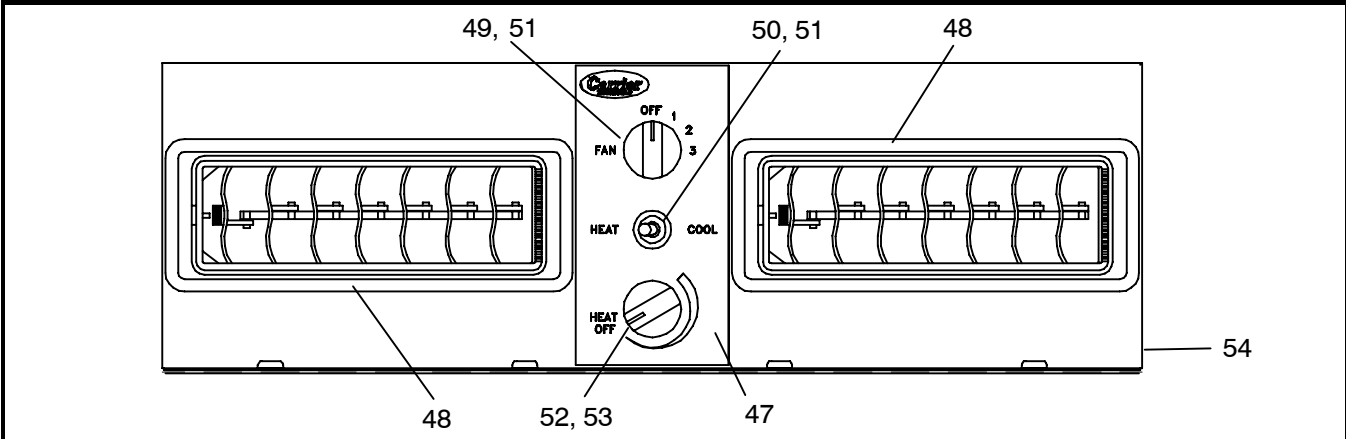
1.13.2 EVAPORATOR, EM-22, HEAT/COOL, (MODEL 77-62079-00 THRU -05) - Continued			
Item	Part Number	Description	Qty
1	68-62882-00	Drain Pan Assembly, Painted (-00, -01, -02)	1
	68-62887-00	Drain Pan Assembly, Painted (-03, -04, -05)	1
2	68-62883-00	Support, Coil	1
3	42-62078-00	Gasket, Drain Pan	1
4	34-00928-12	Rivet, Blind, .187 Dia., Grip Range: .063 -.125	10
5	42-62074-00	Gasket, Coil Support	2
6	68-62884-00	Panel Assembly, Wraparound, Painted	1
7	42-62072-00	Gasket, Road Side	1
8	42-62073-00	Gasket, Curb Side	1
9	42-62076-00	Gasket, Front	1
10	08-62033-00	Coil Assembly, Evaporator, EM-22	1
11	AC801-202	O-Ring, 1/2 Inch, HNBR	2
12	AC040-103	Valve, Expansion, TXV	1
13	AC801-201	O-Ring, 3/8 Inch, HNBR	1
14	AC801-203	O-Ring, 5/8 Inch, HNBR	1
15	81-04051-00	Tube Assembly, EM-22 (-00 & -01 Only) - Includes:	
16	56-62217-00	...Tube Assy, Suction, Bent, 5/8 OD X .040 Copper W/7/8-14 Swivel Nut	1
17	56-62216-00	...Tube Assy, Liquid, Bent, 3/8 OD X .028W Copper W/1/2-20 Swivel Nut	1
18	40-62032-02	...Fitting, Swivel Nut, 1/2 X 3/4-16 M.I.O.	1
19	40-62032-01	...Fitting, Swivel Nut, 5/8 X 7/8-14 M.I.O.	1
20	40-00090-04	...Fitting, Reducer, 1/2 ODM X 3/8 ODS	1
21	14-00150-14	...Valve, Solenoid, Liquid, 1/2 ODF Connections, Without Coil - Includes:	1
22	14-00150-50Repair Kit, Solenoid Valve	1
23	22-02567-00	...Coil, Solenoid Valve, 12 VDC	1
24	56-62215-00	...Tube, Liquid, Straight, 1/2 OD X .049W X 4.46 Inches Long, Copper	1
25	68-62904-00	...Plate Assembly, Tube Connector, Brass	1
26	40-62065-00	Valve, Coolant, Cable Operated	1
27	40-00060-01	Elbow, 90 Degree Street, 1/8 FTP X 1/8 MPT	1
28	AC101-402	Valve, Air Vent, Heat/Cool	1
29	34-50041-00	Screw, Pan Head, W/Ext. Tooth Lock Washer, Phillips, #10-32 X 1/2	18
30	68-63157-00	Panel Assembly, Air Block	1
31	68-62885-00	Panel Assembly, Top, Painted	1
32	AC040-074	Blower Assembly, 12 VDC	1
	CM205-004RO	Blower Assembly, 24 VDC	1
33	34-50057-00	Screw, Phillips, W/Internal Tooth Lock Washer, #8-32 X 5/16 inch Long	5
34	34-62046-00	Screw, Pan Head Phillips, #10 AB X 5/8 Inch Long	22
35	22-62142-00	Harness Assembly, Electrical (-00, -01, -03)	1
36	AC801-300	Bushing, Universal, 1 Inch	1
37	34-00733-05	Nut, Hex, Lock (KEPS), #8-32	1
38	66U1-3882	Wire Tie, Self-Locking, 7.0 Inches, Black	2
39	68-62886-00	Panel Assembly, Rear, Painted	1
40	42-62077-00	Gasket, Rear Panel	1
41	62-62039-00	Label, CHARGE ONLY WITH R-134a	1
42	AC022-313	Baffel, Foam, Drain Pan	1
43	AC040-055P	Screen, Air Inlet, Painted	1
44	86-62241-00	Plenum Assembly, Air Out, Top	1
45	68-63210-00	Panel Assembly, Protective, Painted	1

1.13.2 EVAPORATOR, EM-22, HEAT/COOL, (MODEL 77-62079-00 THRU -05) - Continued



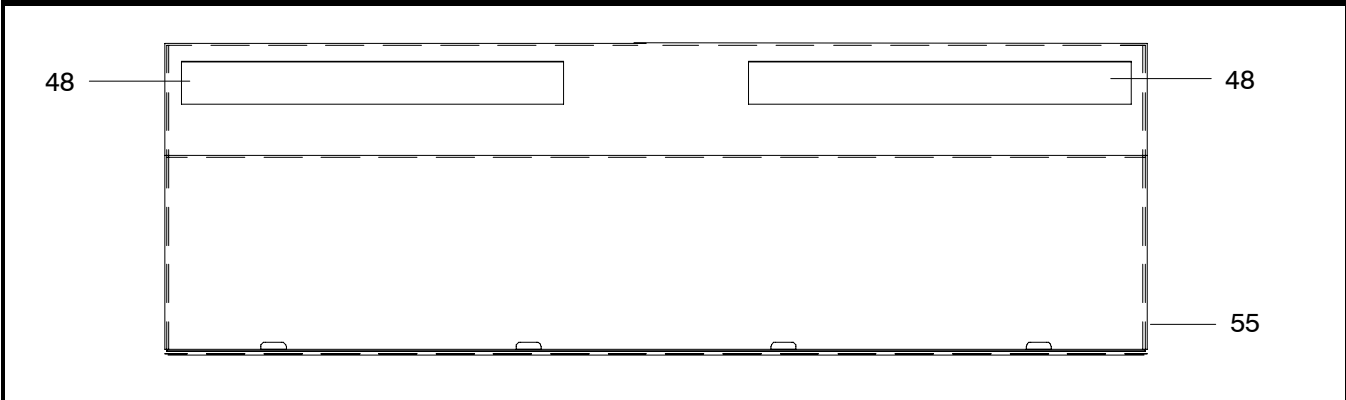
1.13.2 EVAPORATOR, EM-22, HEAT/COOL, PLENUM ASSEMBLY, (MODEL 77-62079-00)			
46	86-62241-00	Plenum Assembly, Air Out, Top	1
47	62-62032-00	Label, Fan & Heat Controls	1
48	58-62042-00	Louver Assembly, Air Outlet, Adjustable, Rectangular (8.0 X 3.0 Inches)	2
49	AC201-305	Switch, Fan Speed, Rotary, W/O Nut	1
50	AC201-304	Switch, Toggle, ON/OFF, SPDT	1
51	AC202-307	Nut, Hex, Fan Speed Switch	3
52	AC701-502	Control, Heater Valve	1
53	AC202-304	Knob, Indicator, Black W/White Line	2

1.13.3 EVAPORATOR, EM-22, HEAT/COOL, PLENUM ASSEMBLY, (MODEL 77-62079-01)



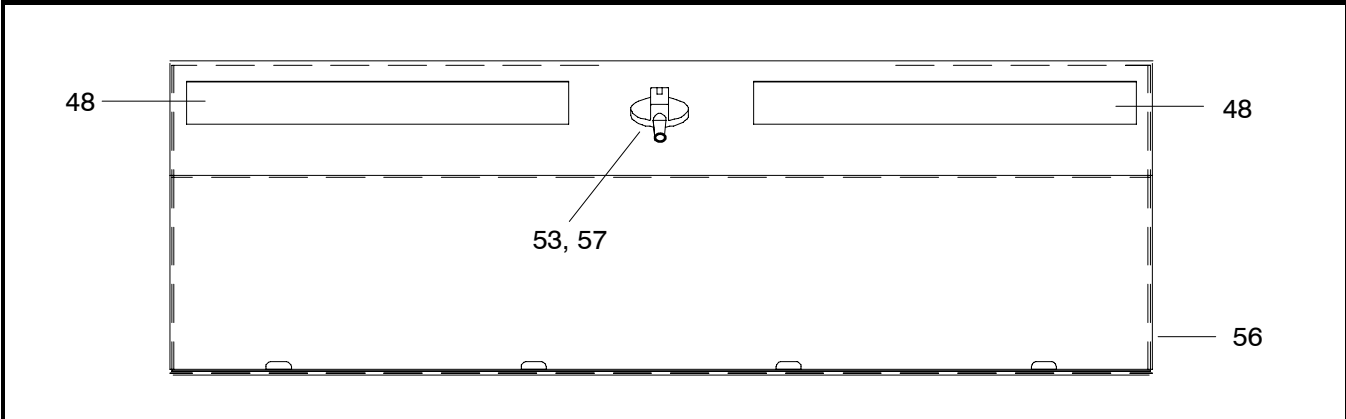
54	86-62239-00	Plenum Assembly, Air Out, Front	1
----	-------------	---------------------------------	---

1.13.4 EVAPORATOR, EM-22, HEAT/COOL, PLENUM ASSEMBLY, (MODEL 77-62079-02)



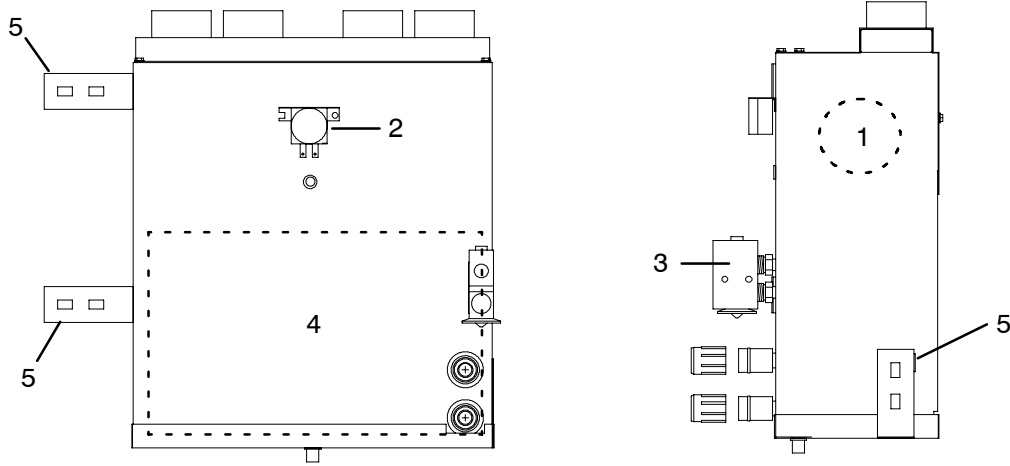
55	86-62242-00	Plenum Assembly, Air Out Top, Dash Controls	1
----	-------------	---	---

1.13.5 EVAPORATOR, EM-22, HEAT/COOL, PLENUM ASSEMBLY, (MODEL 77-62079-03)



56	86-62220-00	Plenum Assembly, Air Out Top, Fan Speed Only	1
57	AC202-302	Switch Plate, Fans	1

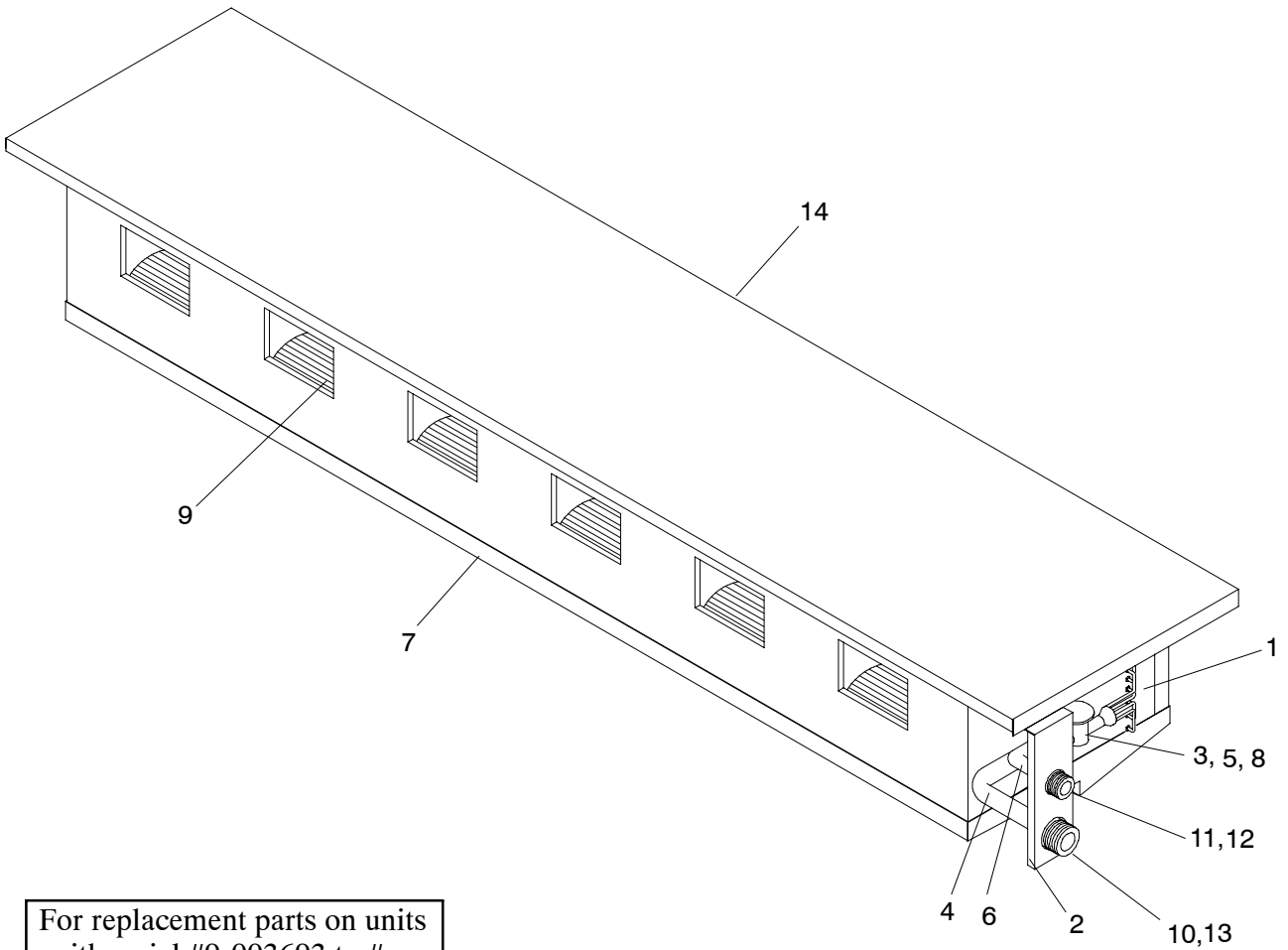
1.13.6 EVAPORATOR KIT, EM-23, HEAT/COOL (77-62725-00)



Item	Part Number	Description	Qty
1	54-50107-00	Blower & Motor Assembly, 12 VDC	1
2	12-50139-00	Switch, Freeze Thermostat	1
3	14-00301-03	Valve, Expansion, TXV, Block Type	1
4	08-50017-00	Coil Assembly, Cool/Heat, Evaporator	1
5	68-63659-00	Bracket, Mounting, EM-23	3
N/S	58-50119-00	Hose Assembly, Discharge, 10MM x 6.58	1
N/S	58-50120-00	Hose Assembly, Liquid Refrigerant, 8MM x 7.17	1
N/S	14-50098-00	Drier, Switch Port-Receiver	1
N/S	68-63660-00	Bracket, Mounting, Drier	1
N/S	12-50140-00	Switch, Hi/Low Pressure	1
N/S	58-50121-00	Hose Assembly, Liquid Refrigerant, 8MM x 3.00	1
N/S	58-50122-00	Hose Assembly, Suction, 5/16 x 25.25	1
N/S	68-50086-00	Grill, Filter Retaining, Evaporator	1
N/S	38-50032-00	Filter, Evaporator, (.44 Thick x 12.00 x 12.00 Inches)	1
N/S	77-62725-04	Control Head, IC, EM-23 Heat/Cool - Includes:	1
N/S	68-50087-00Plate, Switch/Louver	1
N/S	10-50067-00Switch, AC, Heat & Vent, 3 Position	1
N/S	10-50068-00Switch, Blower Speed Control, 4 Position	1
N/S	10-50069-00Relay, High Speed & Power	2
N/S	58-50118-00Knob, Hard, W/Set Screw	2
N/S	22-50341-00Harness, EM-23, Blower, Heater - A/C	1
N/S	77-62725-03	Kit, Parts, Installation - Includes:	1
N/S	AC801-412Gasket, Trimlock x Foot	3 Ft.
N/S	42-00032-01Tape, Insulation, Presstite, 2.00 X 48 Inches Long	1
N/S	58-00716-12Hose, Drain, Silicone, 1/2 Inch I.D. x 7.00 Inches Long	1
N/S	AC301-240Kazoo, Condensate Valve, 5/8 O.D.	1
N/S	44-00045-06Clamp, Worm, Drain Hose, 7/8	1
N/S	22-50342-00Coil, Solenoid Valve, 12 VDC	1
N/S	14-50097-00Valve, Solenoid, Water, 1/2 Inch NPT	1
N/S	AC201-105Breaker, Circuit, 20 Amp (Manual Reset)	2
N/S	77-62725-02	Kit, Duct, IC - Includes:	
N/S	58-50115-00Hose, 2-1/2 Inch Duct x 25 Feet Long	1
N/S	58-50116-00Louver, Rectangular	3
N/S	58-50117-00Louver Assembly, Vane	1

SECTION 1.14 EM-30 EVAPORATORS

1.14.1 EVAPORATOR, EM-30

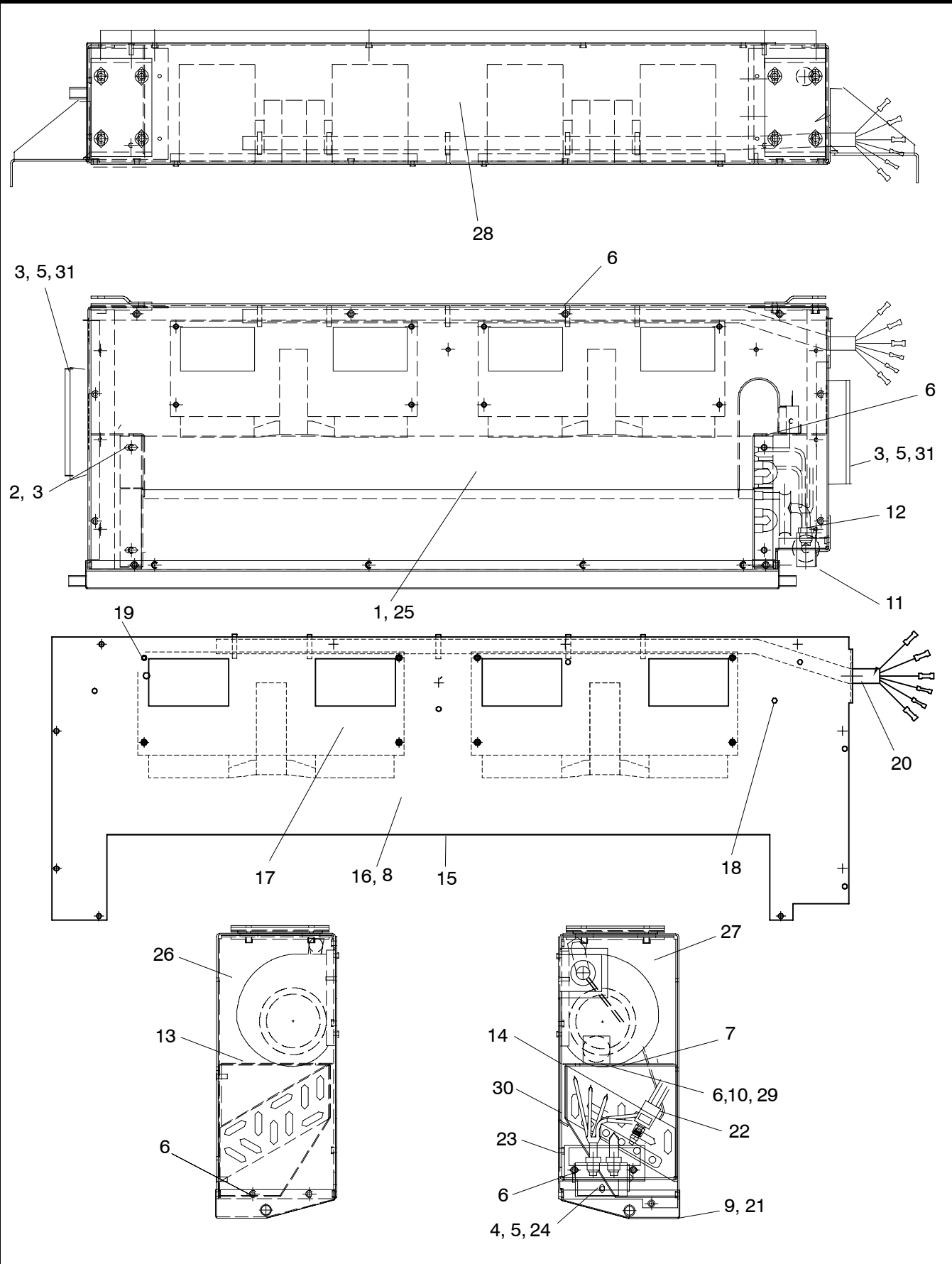


For replacement parts on units
with serial #9-003693 to #

Item	Part Number	Description	Qty
1	AC021-283	Coil Assembly	1
2	AC021-298	Plate, Fitting	1
3	AC021-299	Angle, TXV Bracket	1
4	AC021-300	Tube, Coil To Fitting	1
5	AC021-301	Tube, Equalizer	1
6	AC021-302	Tube, Liquid TXV To Fitting	1
7	AC021-311	Assembly, Drain Pan	1
8	AC101-108	Valve, Thermal Expansion	1
9	AC040-074	Blower Assembly, 12 VDC	3
	CM205-004R0	Blower Assembly, 24 VDC	3
10	40-00491-00	Fitting, Suction, ORS	1
11	40-00491-09	Fitting, Liquid, ORS	1
12	42-00243-00	O-Ring, Liquid	1
13	42-00243-03	O-Ring, Suction	1
14	AC021-306	Harness Assembly, EM-30 Housing	1

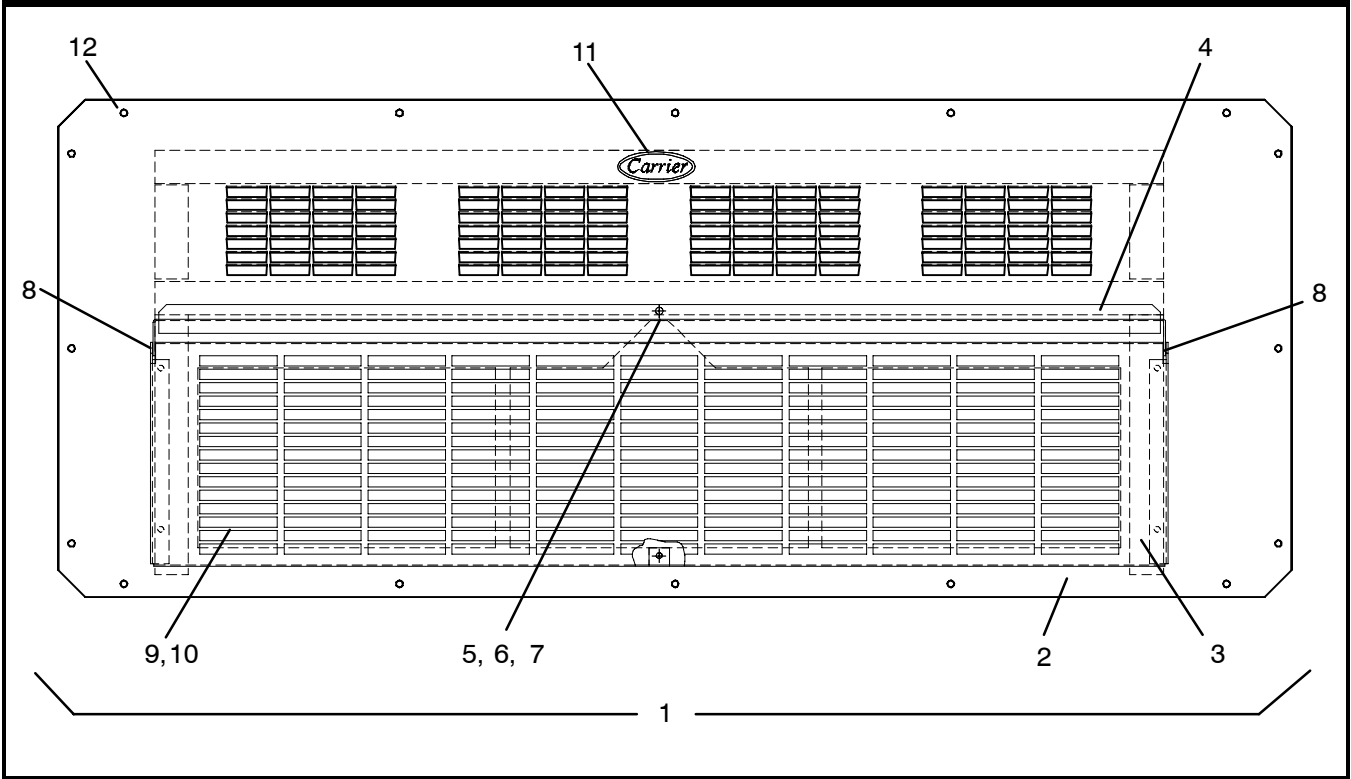
SECTION 1.15 IW-1 IN-WALL EVAPORATORS

1.15.1 EVAPORATOR, IW-1, (77-62081-11)



1.15.1 EVAPORATOR, IW-1, (77-62081-11) - Continued:			
Item	Part Number	Description	Qty
1	08-62031-00	Coil Assembly, EM-1, GEN V	1
2	AC701-101	Clip, Tinnerman, 1/4-20	4
3	34-62011-00	Screw, Hex Head, With Lock & Flat Washer, 1/4-20 X 1 Inch, SST	8
4	34-00667-61	Nut, Hex, Self-Locking, 1/4-20 SST	1
5	34-00662-11	Washer, Flat, 1/4 Inch, SST	10
6	34-00917-08	Screw, Hex Head, Captive Washer, 10-32 X 1/2 Inch Long	23
7	AC801-300	Bushing, Universal, 1 Inch	1
8	AC801-416	Gasket, Foam, 1/8 X 12-3/4 Inch, (300 Foot Roll)	1
9	AC022-746-1	Gasket, Drain Pan, .50 Thick X 5.50 33.25	1
10	12-00547-00	Thermostat, Freeze-Up, Non Adjustable	1
11	14-00301-03	Thermal Expansion Block Valve, (R134a)	1
12	AC801-202	O-Ring, 1/2 Inch HNBR (Package of 10)	1
13	68-62892-00	Baffle, Coil, Left	1
14	68-62893-00	Baffle, Coil, Right	1
15	79-62058-00	Panel Assembly, Evaporator, Includes:	1
16	68-62899-00 Panel, Evaporator, EM-1	1
17	AC040-074 Blower Assembly, 12 VDC	2
18	34-00733-00 Nut, Hex , W/Lockwasher, Keps, 10/32, Zinc Plated	2
19	34-50043-00 Screw, Phillips, W/Int. Tooth Lock Washer, #8-32 X 5/16 Lg.	8
20	AC022-744 Harness, Evaporator, EM-14, GEN 4, (12/24 VDC)	1
21	86-62243-00	Drain Pan Assembly	1
22	AC201-412	Switch, Pressure, Low	1
23	68-63025-00	Bracket, TXV	1
24	34-00655-12	Screw, Cap, Hex Head, 1/4-20 X 1-1/2 Inch SST	1
25	AC022-743-5	Gasket, Coil, 3 X 34.18 X .1 Inch	2
26	68-62896-00	Side, Left	1
27	68-62897-00	Side, Right	1
28	68-62898-00	Wrapper	1
29	22-62143-00	Wire Assembly	1
30	AC801-414	Gasket, 3/8 X 1 Inch, (25 Foot Roll)	1
31	68-63217-00	Bracket, Mounting	2

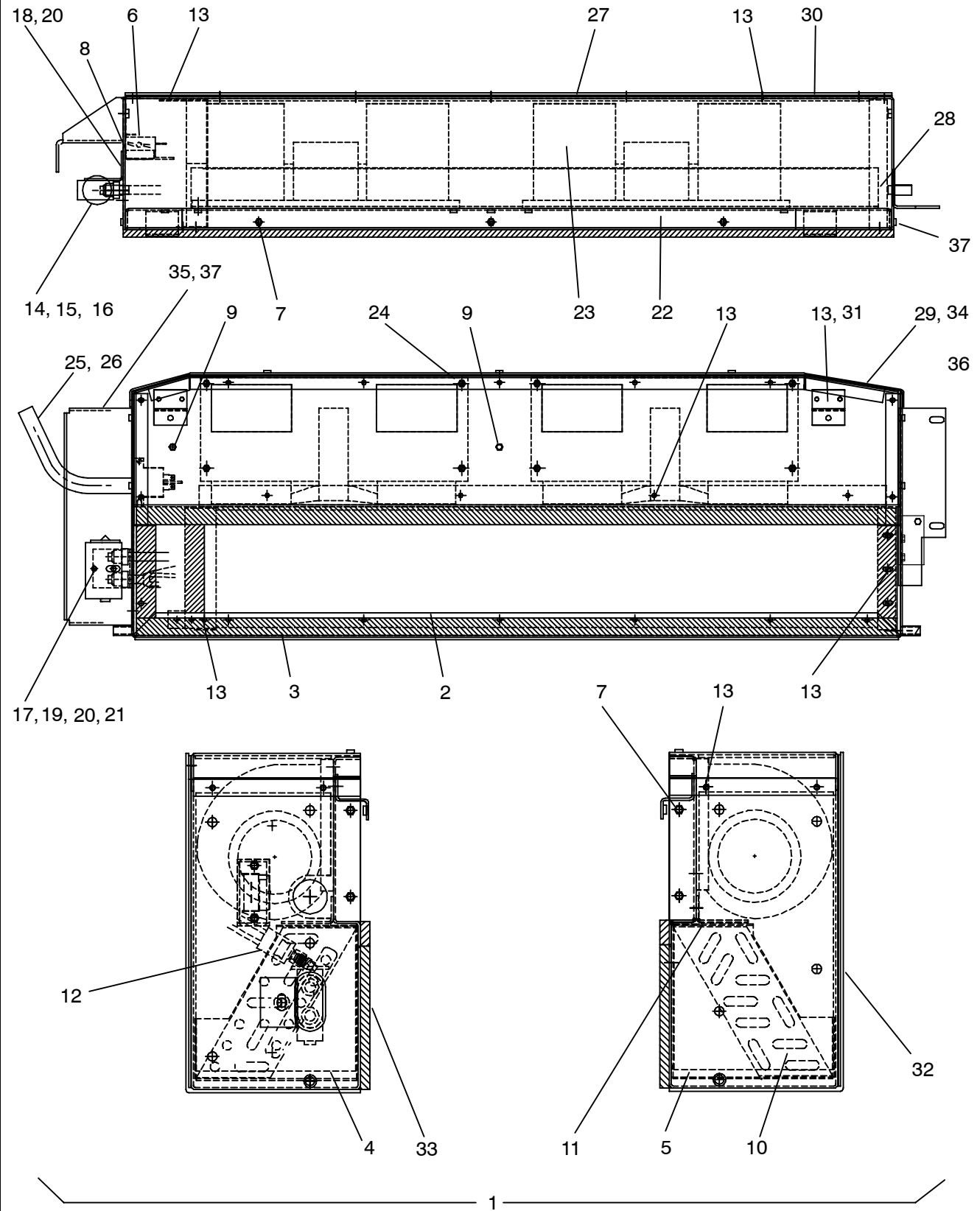
1.15.1 EVAPORATOR, IW-1 - GRILL ASSEMBLY (79-62056-00)



1.15.1 EVAPORATOR, IW-1 - GRILL ASSEMBLY (79-62056-00) - Continued:

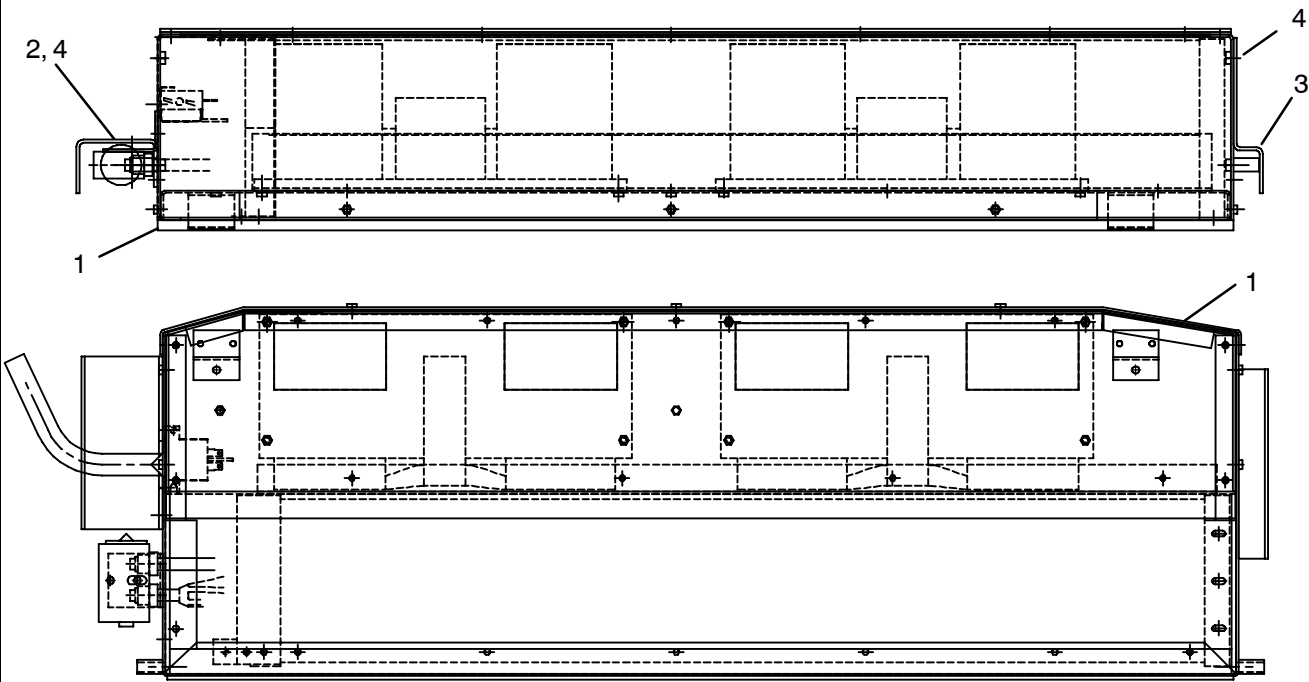
Item	Part Number	Description	Qty
1	79-62056-00	Grill Assembly IW-1, Includes:	1
2	68-62093-00Grill, EM-1 , (Painted	1
3	68-62735-00Grill, Evaporator, EM-1, Gen V, (Painted)	1
4	68-62736-00Channel, Filter, EM-1, Gen V, (Painted)	1
5	34-62019-00Receptacle, 1/4 Turn	1
6	34-62020-00Stud, 1/4 Turn, .25 Grip Range	1
7	34-06169-01Washer, Retaining, .215 I. D.	1
8	AC701-403Rivet, Pop, 1/8 AD43-H	2
9	38-00573-01Filter, Air, 36.50 X 9.00 X .12, EM-1	1
10	AC801-403Gasket, Foam, 1-1/4 X 1-1/4, (25 Foot Roll)	1
11	AC022-289Label, Carrier Emblem	1
12	34-50042-00	Screw, Pan Head, Phillips, #10 X 1 Inch, TEK	16

1.15.2 EVAPORATOR, IW-1, (77-62160-00)



1.15.2 EVAPORATOR, IW-1, (77-62160-00) Continued:			
Item	Part Number	Description	Qty
-	77-62162-00	Evaporator Assembly, IW-1, With Mounting Brackets - Includes:	1
1	77-62161-02	...Evaporator Assembly, IW-1 - Includes:	1
2	68-63411-00Drain Pan Assembly	1
3	AC022-313-1Baffle, Drain Pan	1
4	42-62111-01Insulation, Side	1
5	42-62111-02Insulation, Side	1
6	12-00547-00Thermostat, Freeze-Up, Non Adjustable	1
7	34-00917-08Screw, Hex Head, W/Captive Washer, #10-32 X 1/2 Inch Lg, Zinc	7
8	34-00733-00Nut, Hex , KEPS, #10/32, Zinc	2
9	34-62050-04Screw, Pan Head, W/Lockwasher, #10-32 X 1/2 Inch Lg, Zinc	2
10	08-62056-00Coil Assembly, Evaporator, EM-1	1
11	AC022-743-5Gasket, Coil, .125 Inch Thick X 3 X 34.18	1
12	AC201-412Switch, Pressure, Low	1
13	AC701-401Rivet, Pop, 3/16, Steel	34
14	AC801-202O-Ring, 1/2 Inch HNBR	2
15	14-00301-03Valve, Thermal Expansion, (R134a)	1
16	42-00032-01Tape, Insulation, Presstite, 2.00 X 48.00 Inches Long	1
17	68-63410-00Bracket, TXV	1
18	34-62011-00Screw, Hex Head, With Lock & Flat Washer, 1/4-20 X 1 Inch, SST	1
19	34-00655-12Screw, Cap, Hex Head, 1/4-20 X 1-1/2 Inch SST	1
20	34-00662-11Washer, Flat, 1/4 Inch, SST	2
21	34-00667-61Nut, Hex, Self-Locking, 1/4-20 SST	1
22	68-63412-00Panel Assembly	1
23	AC040-074Fan & Motor Assembly, 12 VDC	2
24	34-62051-05Screw, Pan Head, With Lock Washer, #8-32 X 0.31 Inches Long	8
25	AC022-744Harness, Evaporator, EM-14, (12/24 VDC) - Includes:	1
26	22-62002-00Connector, Molded Plug, With 60.00 Inch Leads	2
27	58-00079-02Sta-Strap, Cable Clamp, 0 - 1.75 Inch Diameter, Black	2
28	68-63413-00Channel	1
29	68-63414-00Panel Assembly	1
30	68-63415-01Panel, Back	1
31	68-63436-00Bracket	2
32	42-01229-02Insulation, Foam, Bottom/Back Panel	10
33	AC801-414Gasket, Foam, 3/8 X 1 Inch, (25 Foot Roll)	1
34	42-01229-01Insulation, Foam, Top Panel	1
35	68-63416-00Bracket, Evaporator Mounting	1
36	68-63417-00Bracket, Evaporator Mounting	1
37	34-62011-00Screw, Hex Head, Sems, 1/4-20 x 1.00 Inch Long, SST	4
N/S	22-62109-00	Wire Assembly, Ground (144.0 Inches Long)	1

1.15.3 EVAPORATOR, IW-1 (77-62160-01)



Item	Part Number	Description	Qty
-	77-62162-01	..Evaporator Assembly, IW-1, With Mounting Brackets - Includes:	1
1	77-62161-02	...Evaporator Assembly, IW-1 - Includes: (See Parts List Section 1.15.2)	1
2	68-63440-00Bracket, Hanger, Evaporator Mounting	1
3	68-63441-00Bracket, Hanger, Evaporator Mounting	1
4	34-62011-00Screw, Hex Head, SEMS, 1/4-20 X 1.00 Inch Long, SST	4

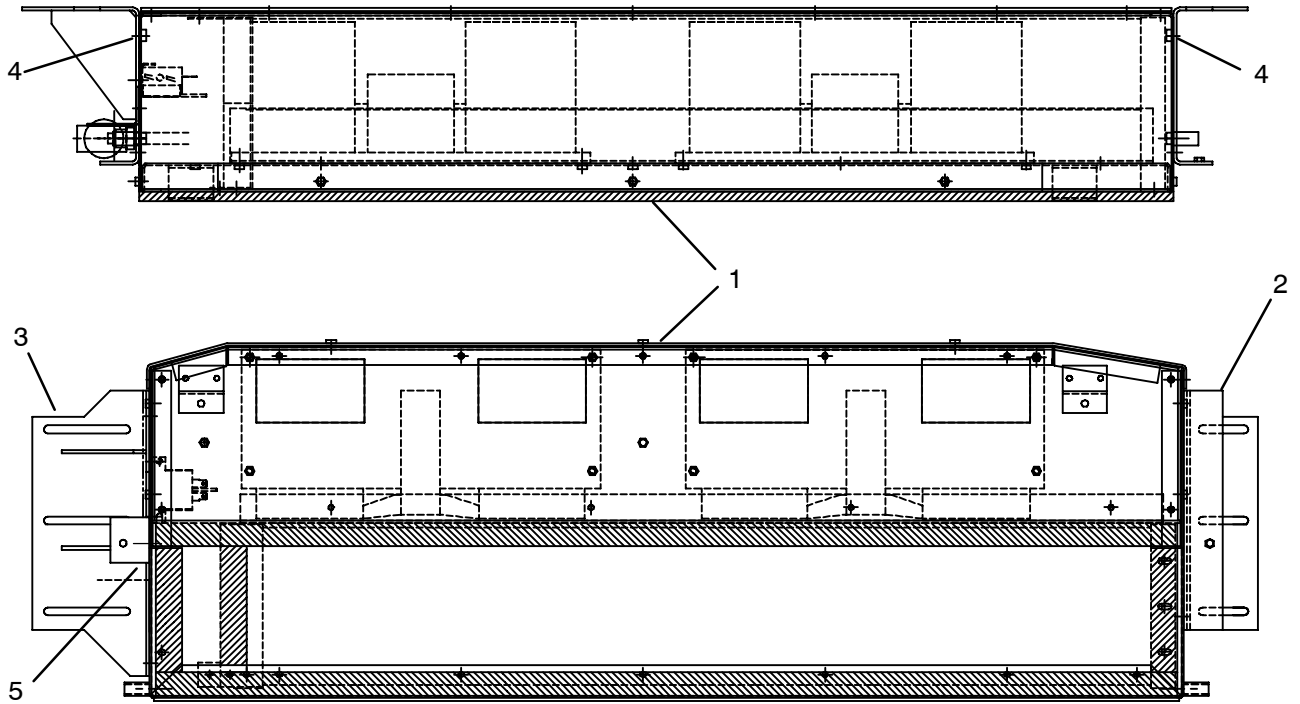
1.15.4 EVAPORATOR, IW-1 (77-62160-02)

Item	Part Number	Description	Qty
1	77-62161-02	Evaporator Assembly, IW-1 - Includes: (See Parts List Section 1.15.2)	1
N/S	58-62042-00Diffuser, Air, Fixed, Rectangular	2
N/S	AC022-289Decal, Carrier	1
N/S	AC022-313-1Baffle, Drain Pan	1

1.15.5 EVAPORATOR, IW-1 (77-62160-03)

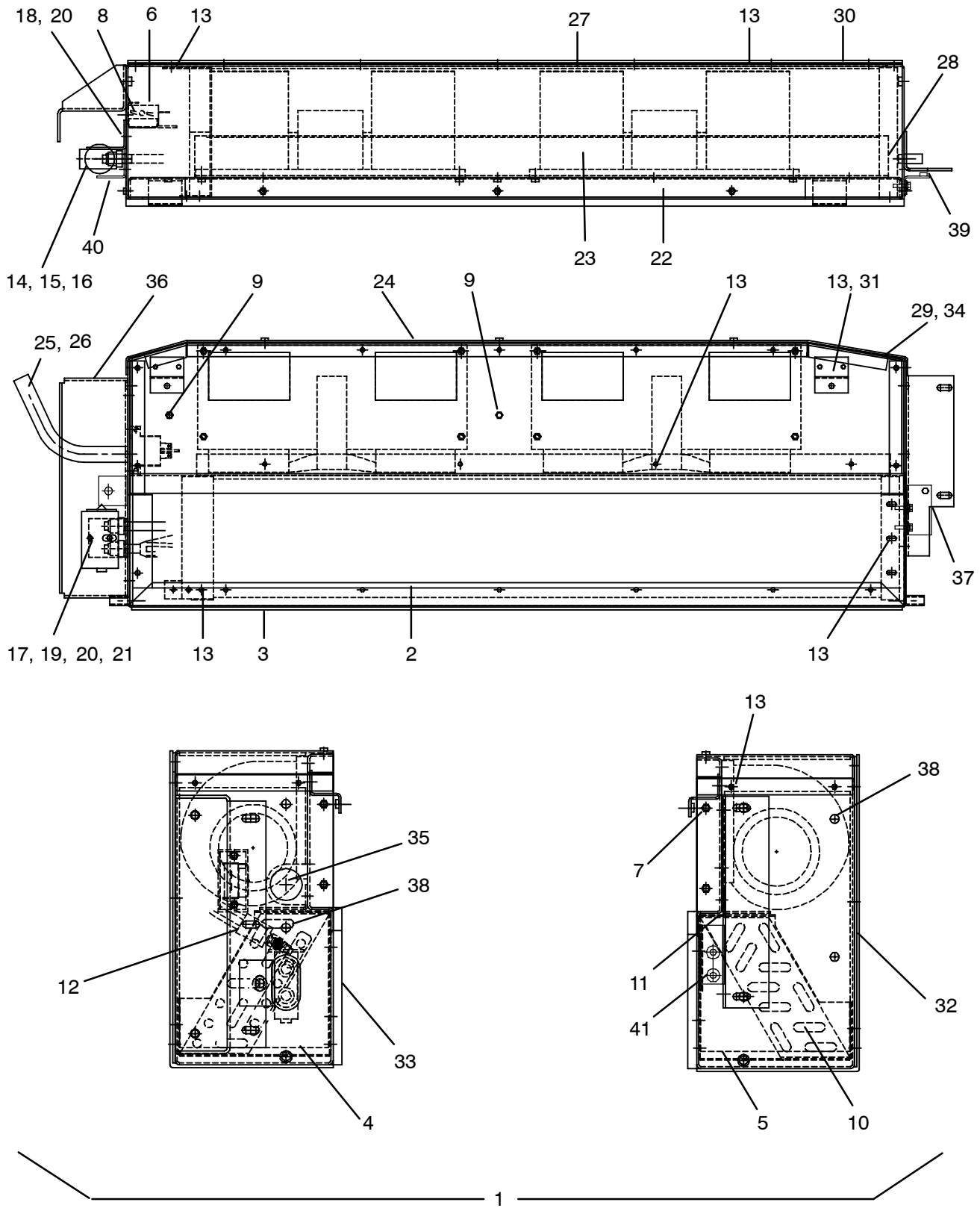
Item	Part Number	Description	Qty
-	77-62162-00	Evaporator Assembly, IW-1, With Mounting Brackets - Includes:	1
1	77-62161-02	...Evaporator Assembly, IW-1 - Includes: (See Parts List Section 1.15.2)	1
N/S	34-00917-08Screw, Hex Head, W/Captive Washer, 10/32 x .50 Inch Long, Zinc	2
N/S	68-63438-00Grille, Painted	1
N/S	58-62042-00Diffuser, Air, Louver, Rectangular	4
N/S	68-63437-00 Bracket	2
N/S	34-01099-02Rivet, Pop, 3/16, SST	4
N/S	34-62019-00Receptacle, , 1/4 Turn	1
N/S	34-62020-00Stud, 1/4 Turn, , .25 Grip Range	1
N/S	34-06169-01Washer, Retaining, .215 I.D.	1
N/S	38-00573-08Filter, Air, 34.00 x 6.40 x .25 , IW-1	1
N/S	AC022-289Decal, Carrier	1

1.15.6 EVAPORATOR, IW-1 (77-62160-04 & -06)



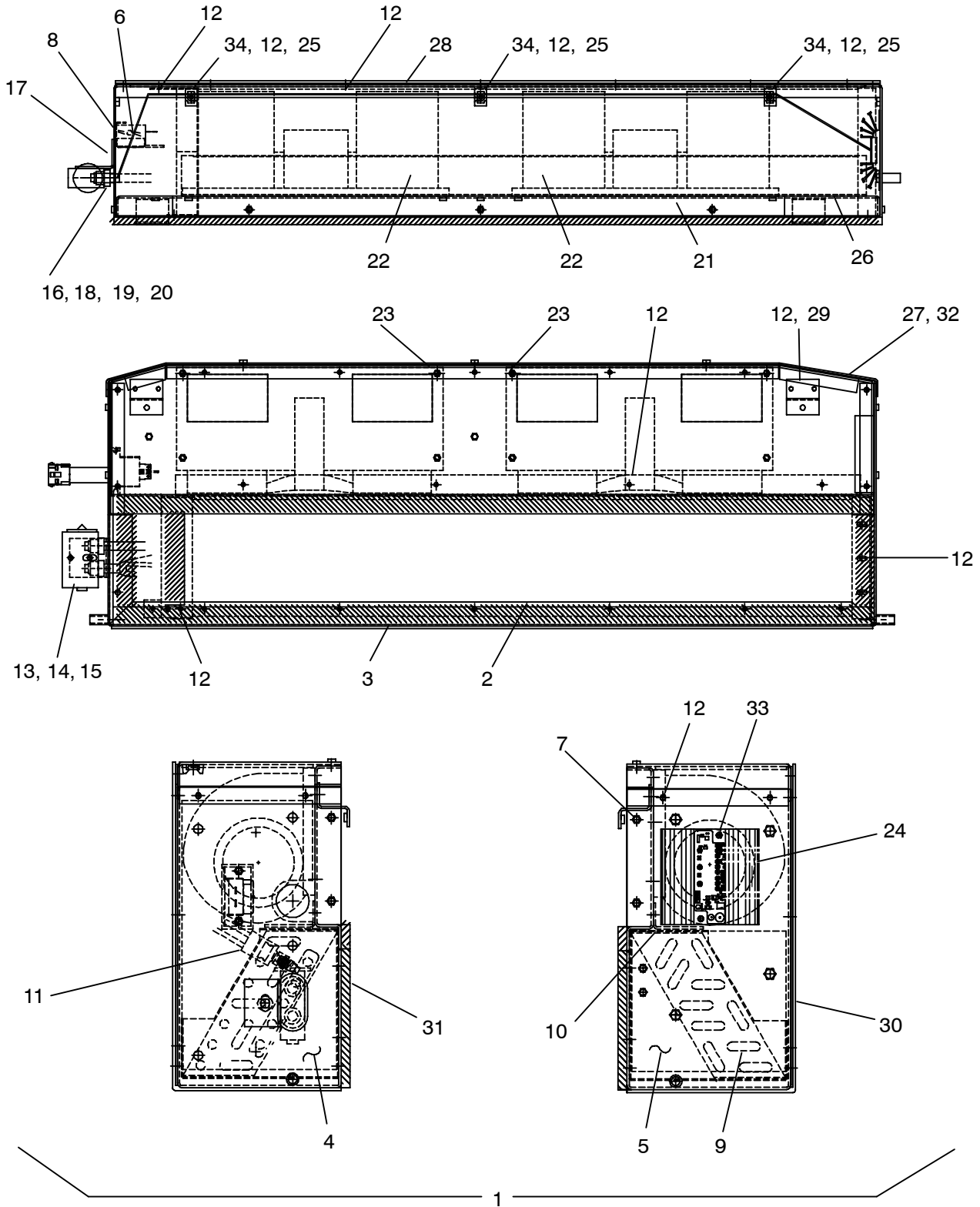
Item	Part Number	Description	Qty
-	77-62162-02	Evaporator Assembly, IW-1, With Mounting Brackets - Includes:	1
1	77-62161-02	...Evaporator Assembly, IW-1 - Includes: (See Parts List Section 1.15.2)	1
2	68-63577-00Bracket, Hanger, Evaporator Mounting	1
3	86-62437-00Bracket, Assembly, Evaporator Mounting	1
4	34-62011-00Screw, Hex Head, SEMS, 1/4-20 X 1.00 Inch Long, SST	8
5	34-00917-12Screw, Hex Head, W/Captive Washer, #10-32 X .75 Inch Long, Zinc	4
N/S	22-62109-00	Wire Assembly, Ground (144-00 Inches Long)	1

1.15.7 EVAPORATOR, IW-1 (77-62160-05 & -07)



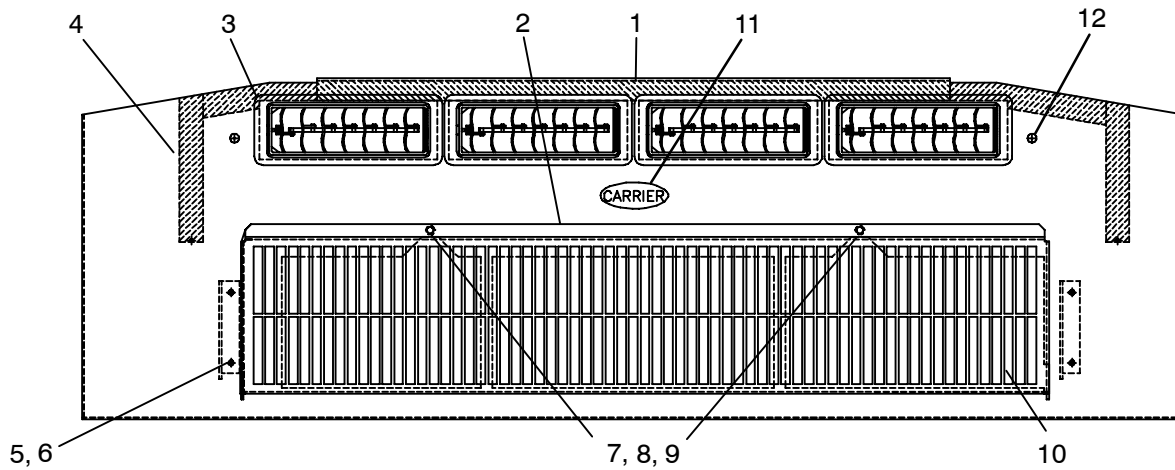
1.15.7 EVAPORATOR, IW-1 (77-62160-05 & -07) Continued:			
Item	Part Number	Description	Qty
-	77-62162-03	Evaporator Assembly, IW-1, White, With Mounting Brackets - Includes:	1
1	77-62161-02	...Evaporator Assembly, IW-1 - Includes:	1
2	86-62460-00Weld Assembly, Drain Pan	1
3	AC022-313-1Baffle, Drain Pan	1
4	42-62111-01Insulation, Side	1
5	42-62111-02Insulation, Side	1
6	12-00547-00Thermostat, Freeze-Up, Non Adjustable	1
7	34-00917-08Screw, Hex Head, W/Captive Washer, #10-32 X 1/2 Inch Lg, Zinc	7
8	34-00733-00Nut, Hex , KEPS, #10/32, Zinc	2
9	34-62050-04Screw, Pan Head, W/Lockwasher, #10-32 X 1/2 Inch Lg, Zinc	2
10	08-62056-00Coil Assembly, Evaporator, EM-1	1
11	AC022-743-5Gasket, Coil, .125 Inch Thick X 3 X 34.18	1
12	AC201-412Switch, Pressure, Low	1
13	AC701-401Rivet, Pop, 3/16, Steel	34
14	AC801-202O-Ring, 1/2 Inch HNBR	2
15	14-00301-03Valve, Thermal Expansion, (R134a)	1
16	42-00032-00Tape, Insulation, Presstite, 2.00 X 48.00 Inches Long	1
17	68-63410-00Bracket, TXV	1
18	34-62011-00Screw, Hex Head, With Lock & Flat Washer, 1/4-20 X 1 Inch, SST	1
19	34-00655-12Screw, Cap, Hex Head, 1/4-20 X 1-1/2 Inch SST	1
20	34-00662-11Washer, Flat, 1/4 Inch, SST	2
21	34-00667-61Nut, Hex, Self-Locking, 1/4-20 SST	1
22	68-63412-00Panel Assembly	1
23	AC040-074Fan & Motor Assembly, 12 VDC	2
24	34-62051-05Screw, Pan Head, With Lock Washer, #8-32 X 0.31 Inches Long	8
25	22-62240-00Harness, Evaporator, EM / IW, (12/24 VDC) - Includes:	1
26	22-62002-00Connector, Molded Plug, With 60.00 Inch Leads	2
27	58-00079-02Sta-Strap, Cable Clamp, 0 - 1.75 Inch Diameter, Black	2
28	68-63413-00Channel	1
29	68-63414-00Panel Assembly	1
30	68-63415-01Panel, Back	1
31	68-63436-00Bracket	2
32	42-01229-02Insulation, Foam, Bottom/Back Panel	10
33	AC801-414Gasket, Foam, 3/8 X 1 Inch, (25 Foot Roll)	1
34	42-01229-01Insulation, Foam, Top Panel	1
35	58-00661-07Bushing, 1.50 Diameter Hole	1
36	68-63416-00Bracket, Evaporator Mounting	1
37	68-63417-00Bracket, Evaporator Mounting	1
38	34-62011-00Screw, Hex Head, Sems, 1/4-20 x 1.00 Inch Long, SST	4
39	68-63645-00Bracket Assembly, Cover Support	1
40	68-63646-00Bracket Assembly, Cover Support	1
41	34-00917-12Screw, Hex Head, W/Captive Washer, #10-32 X .75 Inch Long, Zinc	2

1.15.8 EVAPORATOR, IW-1, VARIABLE SPEED - (77-62160-09)



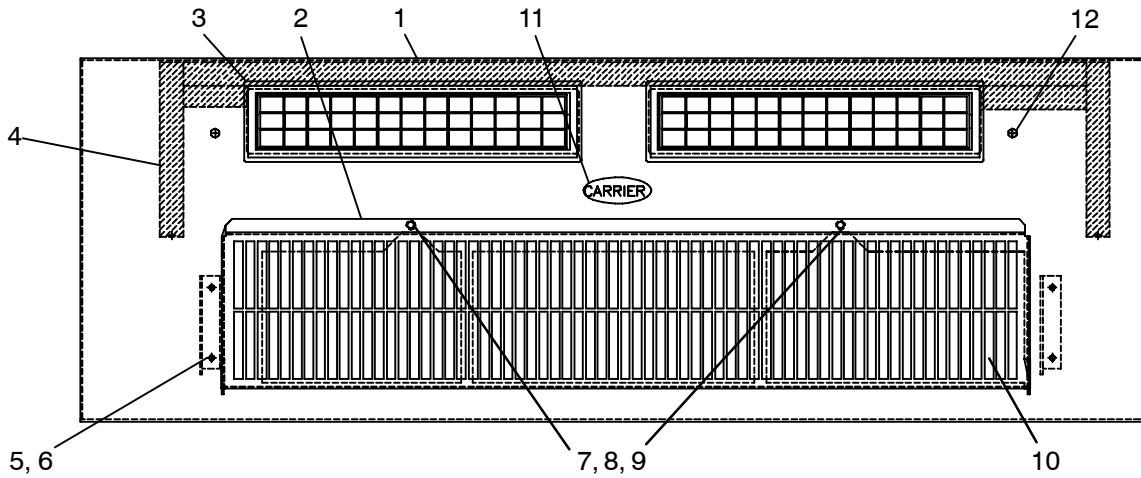
1.15.8 EVAPORATOR, IW-1, VARIABLE SPEED - (77-62160-09) Continued:			
Item	Part Number	Description	Qty
1	77-62161-01	Evaporator Assembly, IW-1, Variable Speed - Includes:	1
2	86-62460-00Drain Pan Assembly	1
3	AC022-313-1Baffle, Drain Pan	1
4	42-62111-01Insulation, Side	1
5	42-62111-03Insulation, Side	1
6	12-00547-00Thermostat, Freeze-Up, Non Adjustable	1
7	34-00917-08Screw, Hex Head, W/Captive Washer, #10-32 X 1/2 Inch Lg, Zinc	7
8	34-00733-00Nut, Hex , KEPS, #10/32, Zinc	2
9	08-62056-00Coil Assembly, Evaporator, EM-1	1
10	AC022-743-5Gasket, Coil, .125 Inch Thick X 3 X 34.18	1
11	AC201-412Switch, Pressure, Low	1
12	AC701-401Rivet, Pop, 3/16, Steel	37
13	AC801-202O-Ring, 1/2 Inch HNBR	2
14	14-00301-03Valve, Thermal Expansion, (R134a)	1
15	42-00032-00Tape, Insulation, Presstite, 2.00 X 48.00 Inches Long	1
16	68-63410-00Bracket, TXV	1
17	34-62011-00Screw, Hex Head, With Lock & Flat Washer, 1/4-20 X 1 Inch, SST	1
18	34-00655-12Screw, Cap, Hex Head, 1/4-20 X 1-1/2 Inch SST	1
19	34-00662-11Washer, Flat, 1/4 Inch, SST	1
20	34-00667-61Nut, Hex, Self-Locking, 1/4-20 SST	1
21	68-63412-00Panel Assembly	1
22	AC401-202Blower Assembly, 12 VDC	2
23	34-62051-05Screw, Pan Head, With Lock Washer, #8-32 X 0.31 Inches Long	8
24	22-62239-00Harness, Wiring, Variable Speed	1
25	58-00079-02Sta-Strap, Cable Clamp, 0 - 1.75 Inch Diameter, Black	5
26	68-63413-00Channel	1
27	68-63414-00Panel Assembly	1
28	68-63415-01Panel, Back	1
29	68-63436-00Bracket	2
30	42-01229-02Insulation, Foam, Bottom/Back Panel	1
31	AC801-414Gasket, Foam, 3/8 X 1 Inch, (25 Foot Roll)	1
32	42-01229-01Insulation, Foam, Top Panel	1
33	34-00733-05Nut, Hex, Keps, 8/32	2
34	AC701-303Wire Tie, Cable Mount, 15 Inches, White	3
N/S	22-62109-00	Wire Assembly, Ground, (144.00 Inches Long)	1

1.15.9 GRILL ASSEMBLY, IW-1, LOUVER DIFFUSER - USE WITH 77-62160-00 & -09



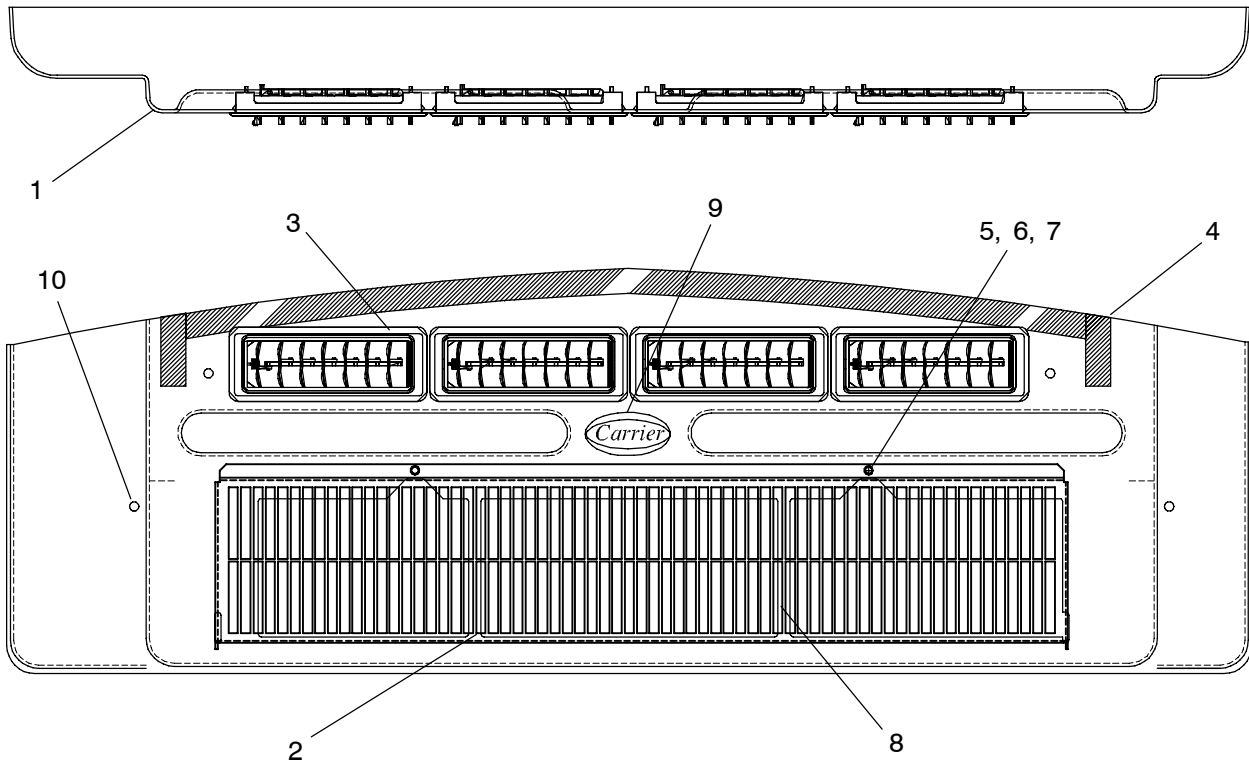
Item	Part Number	Description	Qty
-	79-62088-00	Grill Assembly, IW-1, Louver Diffuser, Includes:	1
1	68-63393-00Panel, Painted	1
2	68-63438-01Grill, Painted	1
3	58-62042-00Diffuser, Air, Louver, Rectangular (8.0 X 3.0 Inches)	4
4	AC801-414Gasket, Foam, 3/8 X 1.00 Inch (25 Foot Roll)	1
5	68-63437-00Bracket,	2
6	34-01099-02Pop Rivet, 3/16, SST	4
7	34-62019-00Receptacle, 1/4 Turn	1
8	34-62020-00Stud, 1/4 Turn, .25 Grip Range	1
9	34-06169-01Washer, Retaining, .215 I. D.	1
10	38-00573-08Filter, Air, 34.00 X 6.40 X .25, (IW-1)	1
11	AC022-289Decal, Carrier	1
12	34-00917-12	Screw, Hex Head, W/Captive Washer, #10-32 X .75 Inch Long, Zinc	2

1.15.10 GRILL ASSEMBLY, IW-1, FIXED DIFFUSER - USE WITH 77-62160-01



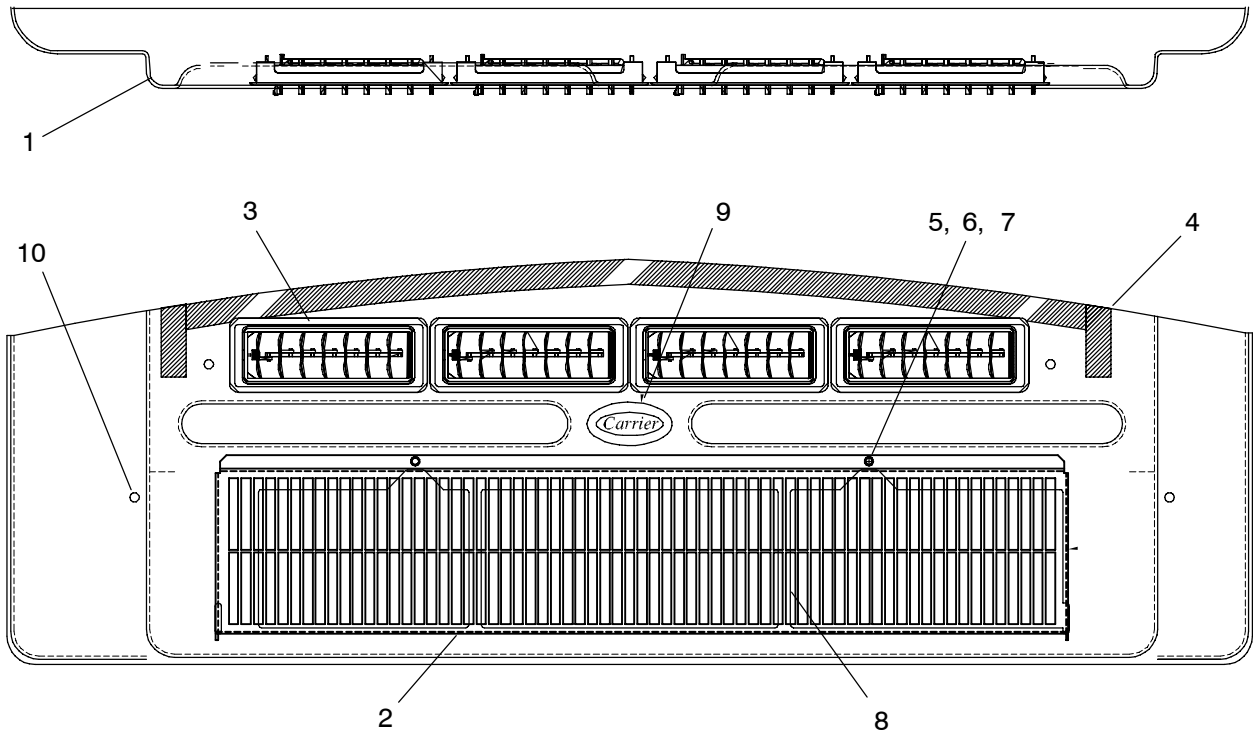
Item	Part Number	Description	Qty
	79-62088-01	Grill Assembly, Fixed Diffuser, IW-1, Includes:	1
1	68-63394-00Panel, Painted	1
2	68-63438-01Grill, Painted	1
3	AC401-320Diffuser, Air, Fixed, (Rectangular)	2
4	AC801-414Gasket, Foam, 1-1/4 X 1-1/4 Inch (25 Foot Roll)	1
5	68-63437-00 Bracket	2
6	34-01099-02Rivet, Pop, 3/16, SST	4
7	34-62019-00Receptacle, 1/4 Turn	2
8	34-62020-00Stud, 1/4 Turn, .25 Grip Range	2
9	34-06169-01Washer, Retaining, .215 I. D.	2
10	38-00573-08Filter, Air, 26.30 X 5.75 X .25 Inch	1
11	AC022-289Decal, Carrier	1
12	34-00917-08	Screw, Hex Head, W/Captive Washer, #10-32 X .50 Inch Long, Zinc	2

1.15.11 COVER ASSEMBLY, IW-1 - USE WITH 79-62096-04



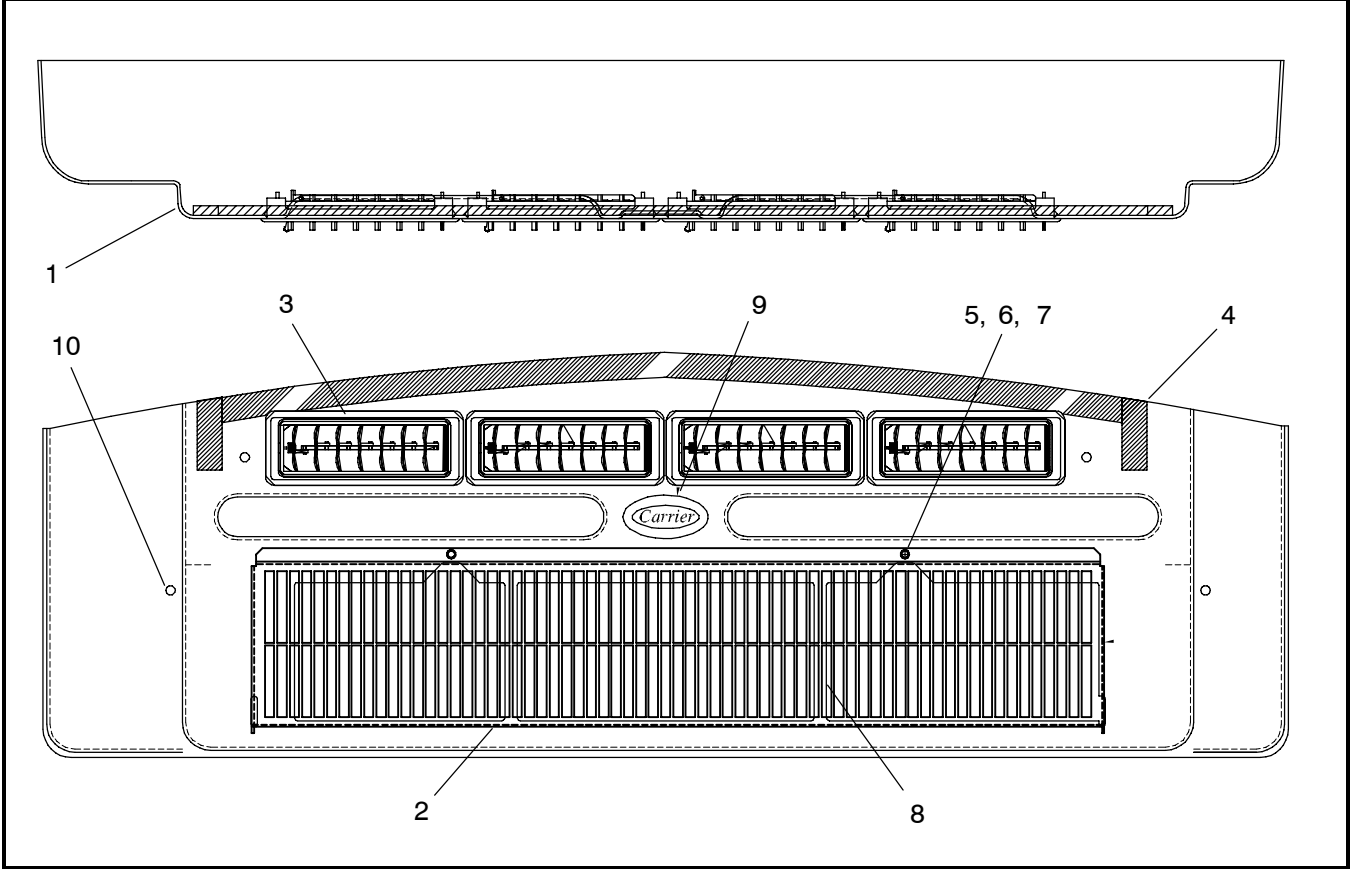
Item	Part Number	Description	Qty
-	79-62096-00	Cover Assembly, IW-1, Grey (TBB FS65) - Includes: (-04)	1
-	79-62096-01	Cover Assembly, IW-1, White (TBB FS65) - Includes: (Ref. Only)	1
1	58-62156-02Cover, TBB Grey (4.18 Inch Deep)	1
	58-62156-03Cover, TBB White (4.18 Inch Deep)	1
2	68-63438-01Grill, Painted	1
3	58-62042-00Diffuser, Air, Adjustable, (Rectangular)	4
4	AC801-414Gasket, Foam, 1-1/4 X 1-1/4 Inch (25 Foot Roll)	1
5	34-62019-00Receptable, 1/4 Turn	2
6	34-62020-00Stud, 1/4 Turn, .25 Grip Range	2
7	34-06169-01Washer, Retaining, .215 I. D.	2
8	38-00573-08Filter, Air, 36.5 X 9 X .12 Inch (EM-1)	1
9	AC022-289Decal, Carrier	1
10	34-00917-12	Screw, Hex Head, With Captive Washer, #10-32 x .75 Inches Long, Zinc	4

1.15.12 COVER ASSEMBLY, IW-1 - USE WITH 77-62160-06



Item	Part Number	Description	Qty
-	79-62096-02	Cover Assembly, IW-1, Grey (TBB FS65) C & D Type - Includes: (-06)	1
-	79-62096-03	Cover Assembly, IW-1, White (TBB FS65) C & D Type - Includes: (Ref. Only)	1
1	58-62156-04Cover, TBB Grey (3.13 Inch Deep)	1
	58-62156-05Cover, TBB White (3.13 Inch Deep)	1
2	68-63438-01Grill, Painted	1
3	58-62042-00Diffuser, Air, Adjustable (Rectangular)	4
4	AC801-414Gasket, Foam, 1-1/4 X 1-1/4 Inch (25 Foot Roll)	1
5	34-62019-00Receptable, 1/4 Turn	2
6	34-62020-00Stud, 1/4 Turn, .25 Grip Range	2
7	34-06169-01Washer, Retaining, .215 I. D.	2
8	38-00573-08Filter, Air, 26.30 X 5.75 X .25 Inch	1
9	AC022-289Decal, Carrier	1
10	34-00917-12	Screw, Hex Head, With Captive Washer, #10-32 x .75 Inches Long, Zinc	4

1.15.13 COVER ASSEMBLY, IW-1 - USE WITH 77-62160-05 & -07

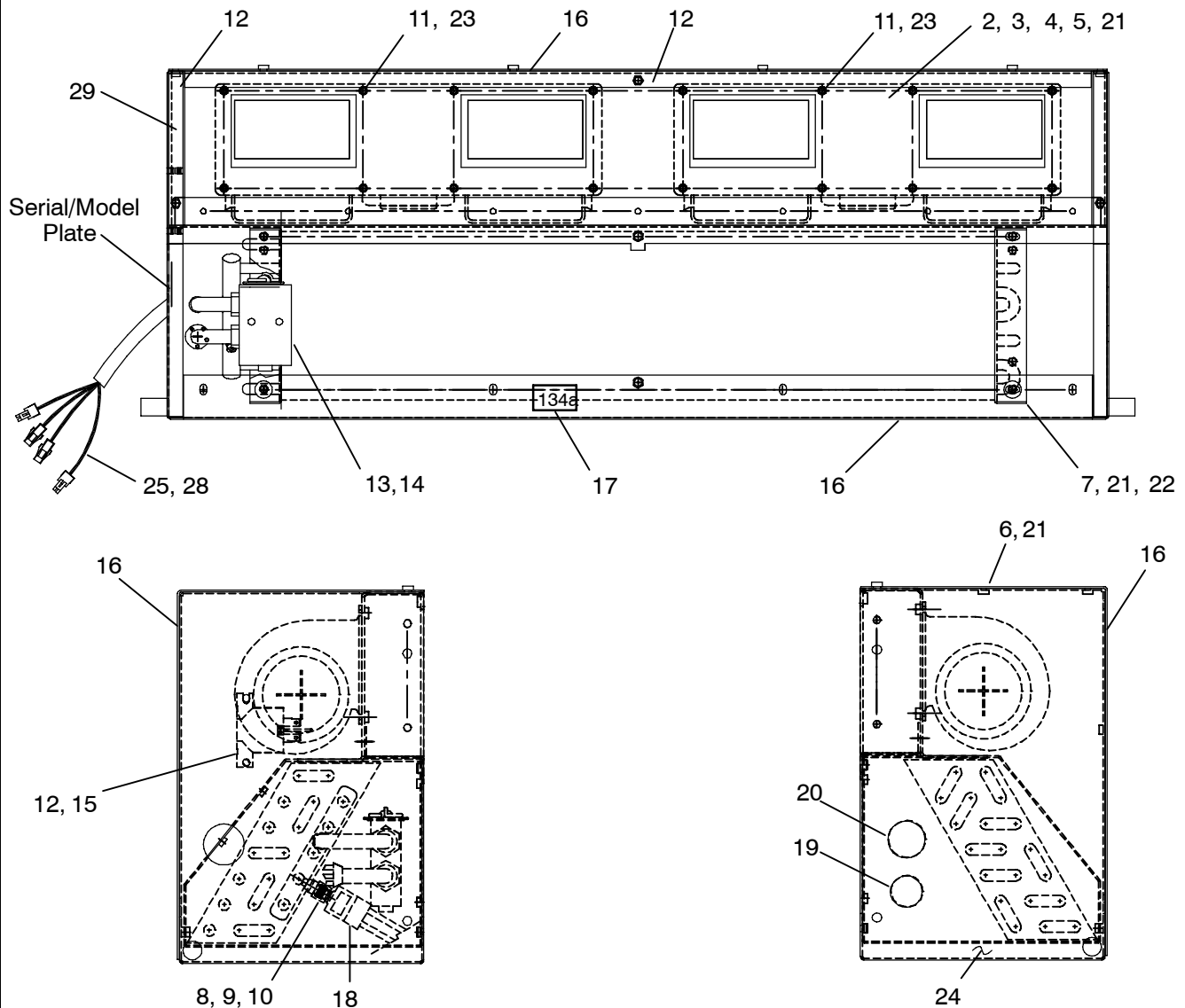


1.15.13 COVER ASSEMBLY, IW-1 - USE WITH 77-62160-05 & -07

Item	Part Number	Description	Qty
-	79-62097-00	Cover Assembly, IW-1, Grey (TBB FS65) C & D Type - Includes: (-07)	1
-	79-62097-01	Cover Assembly, IW-1, White (TBB FS65) C & D Type - Includes: (-05)	1
1	58-62156-00Cover, Grey (6.25 Inch Deep)	1
	58-62156-01Cover, White (6.25 Inch Deep)	1
2	68-63438-01Grill, Painted	1
3	58-62042-00Diffuser, Air, Adjustable (Rectangular)	4
4	AC801-414Gasket, Foam, 1-1/4 X 1-1/4 Inch (25 Foot Roll)	1
5	34-62019-00Receptable, 1/4 Turn	2
6	34-62020-00Stud, 1/4 Turn, .25 Grip Range	2
7	34-06169-01Washer, Retaining, .215 I. D.	2
8	38-00573-08Filter, Air, 26.30 X 5.75 X .25 Inch	1
9	AC022-289Decal, Carrier	1
10	34-00917-12	Screw, Hex Head, With Captive Washer, #10-32 x .75 Inches Long, Zinc	4

1.16 IW-2 IN-WALL EVAPORATORS

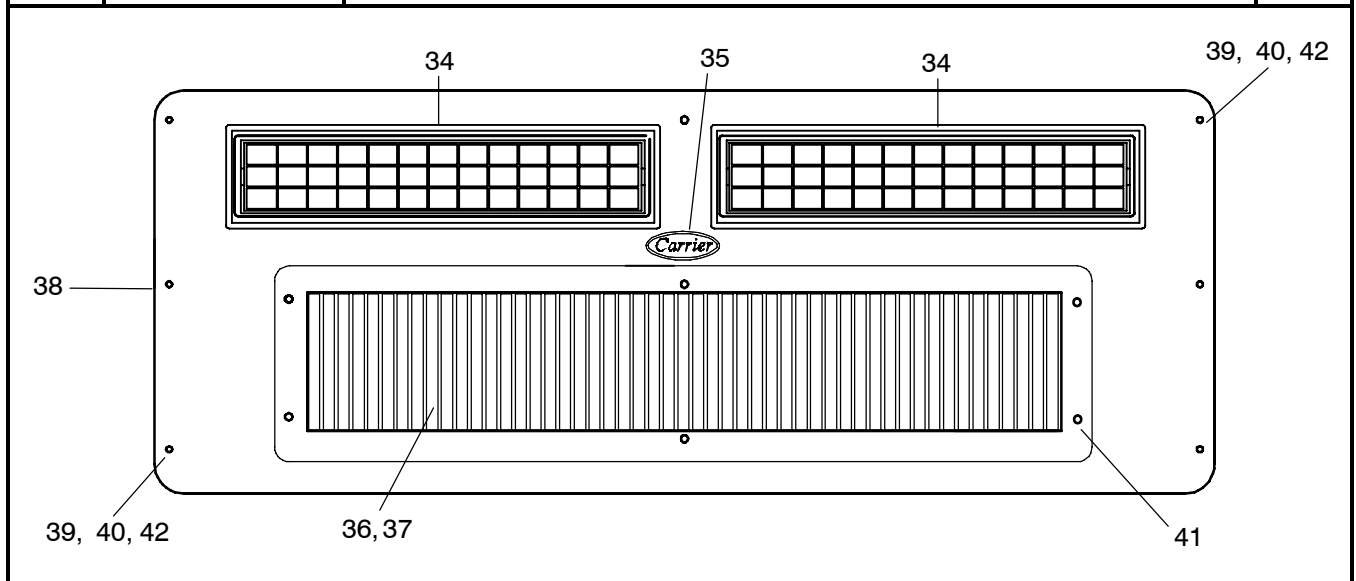
1.16.1 EVAPORATOR, IW-2 - 77-62134-00 & -01



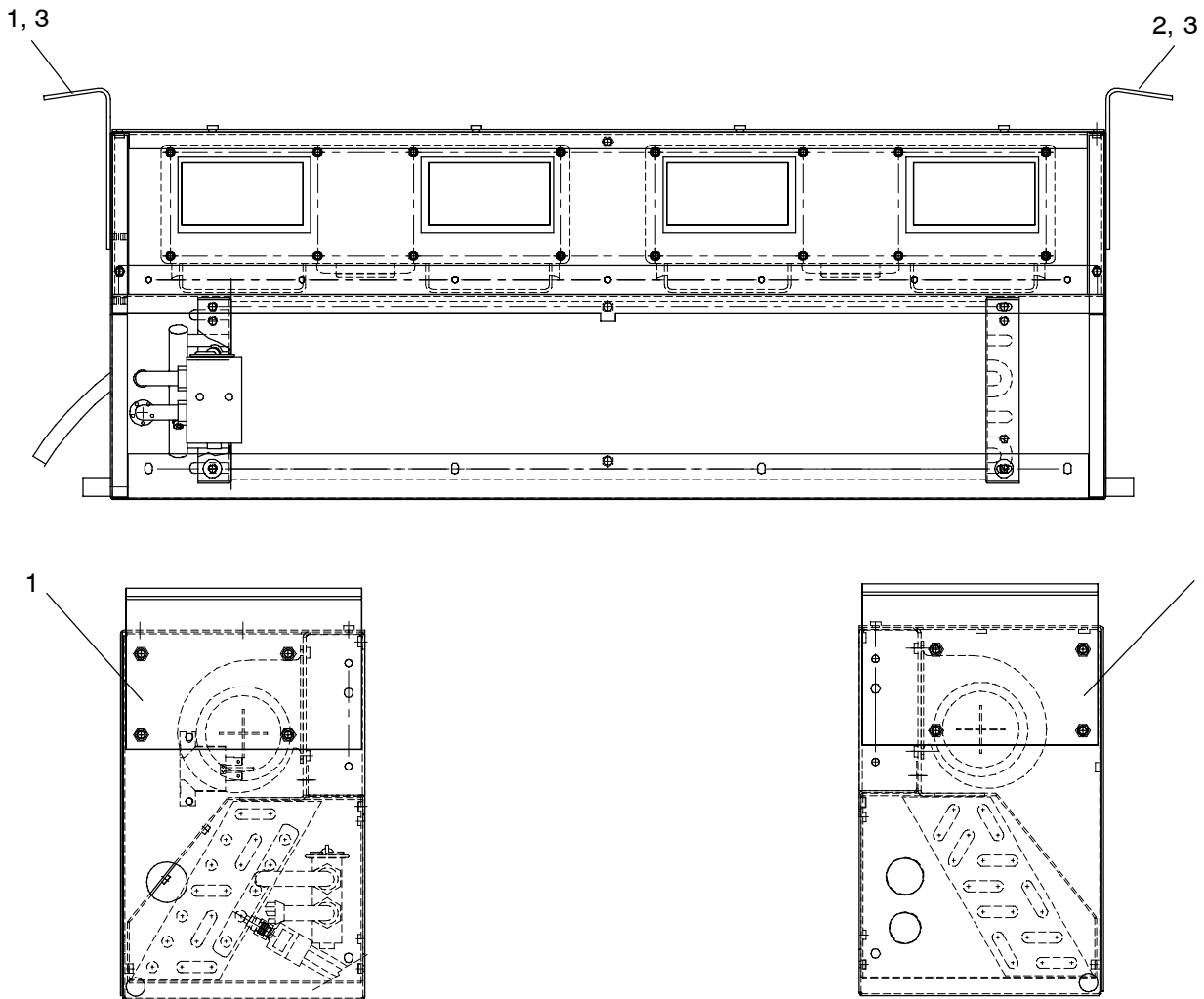
Item	Part Number	Description	Qty
NSS	77-62167-00	Evaporator Chassis Assembly, IW-2 - Includes:	-
1	86-62343-00	...Panel Assembly, Bottom, IW-2	1
2	79-62083-00	...Panel Assembly, IW-2, Blower - Includes:	1
3	63-63240-00Panel Assembly, Blower	1
4	68-63241-00Bracket Assembly, Blower	1
5	AC701-401Rivet, Pop, 3/16 SD62BS	7
6	68-63242-00	...Cover, Top, IW-2	1
7	08-62045-01	...Coil, Evaporator, IW-2 - Includes:	1
8	40-00124-00Body, Valve, Schrader, Brass, 1/4 SAE Flare - Includes:	1
9	14-00351-00Core, Access Valve (Nickel Plated)	1
10	DD19CA061Cap, Seal, Flare, 1/4 Inch	1
11	34-62051-05	...Screw, Pan Head, W/Lock Washer, #8-32 X 5/16 Long, Zinc	16
12	34-00733-00	...Nut, Hex, KEPS, #10/32, Zinc	2
13	14-00301-03	...Valve, Thermal Expansion, (R134a)	1

1.16.1 EVAPORATOR, IW-2, 77-62134-00 & -01 - Continued:

Item	Part Number	Description	Qty
14	AC801-202	...O-Ring, 1/2 Inch HNBR (Package of 10)	2
15	12-00547-00	...Thermostat, Freeze-Up, Non Adjustable	1
16	42-01227-00	...Insulation, Blower Panel, Evaporator	1
17	62-62039-00	...Label, Charge Only With R134a	1
18	AC201-412	...Switch, Low Pressure	1
19	58-00065-26	...Grommet, 0.75 I.D. X 1.06 Hole, .06 Inch Groove	2
20	58-00065-83	...Grommet, 1.00 ID X 1.25 Hole, .06 Inch Groove	2
21	34-62023-00	...Screw, Pan Head, Slotted, #10/32 X 0.38 Inch Long, Zinc	18
22	AC022-743-2	...Gasket, Coil, .125 Thick X 2.63 X 24.50	1
23	AC401-203	...Blower Assembly, 12 VDC	2
24	AC022-313-2	...Baffle, Drain Pan	1
25	AC022-744	...Harness, Evaporator, EM-14, (12/24 VDC) - Includes:	1
26	22-62002-00Connector, Molded Plug With 60.00 Inch Leads	2
27	42-00032-01	...Tape, Insulation, Presstite, 2.00 X 48.00 Inches Long	1
28	58-00079-02	...Sta-Strap, Cable Clamp, 0-1.75 Inch Diameter, Black	1
29	AC801-414	...Gasket, Foam, 3/8 X 1 Inch, (25 Foot Roll)	1
30	42-01230-00	...Insulation, Foam, Left Side	1
31	42-01230-01	...Insulation, Foam, Right Side	1
32	42-01229-00	...Insulation, Foam, Top Cover	1
33	42-01228-00	...Insulation, Foam, Bottom Panel	1
34	AC401-320	Diffuser, Air, Fixed	2
35	AC022-289	Label, Carrier \	1
36	38-00573-06	Filter, Air, 26.30 X 5.75 X.25, IW-2, (Used On -00 Assembly Only))	1
37	68-07962-00	Grill, Painted	1
38	68-07963-00	Cover, Painted	1
39	AC801-529	Washer, Snap Cap	13
40	AC801-531	Cap, Snap, White	13
41	34-62046-00	Screw, Pan Head, TF, #10-16 X .63 Inch Long	6
42	34-50059-00	Screw, Pan Head, #10-32 X .50 Inch Long, Zinc	7
N/S	AC022-313	Baffle, Drain Pan	1



1.16.2 EVAPORATOR, IW-2, 77-62134-02

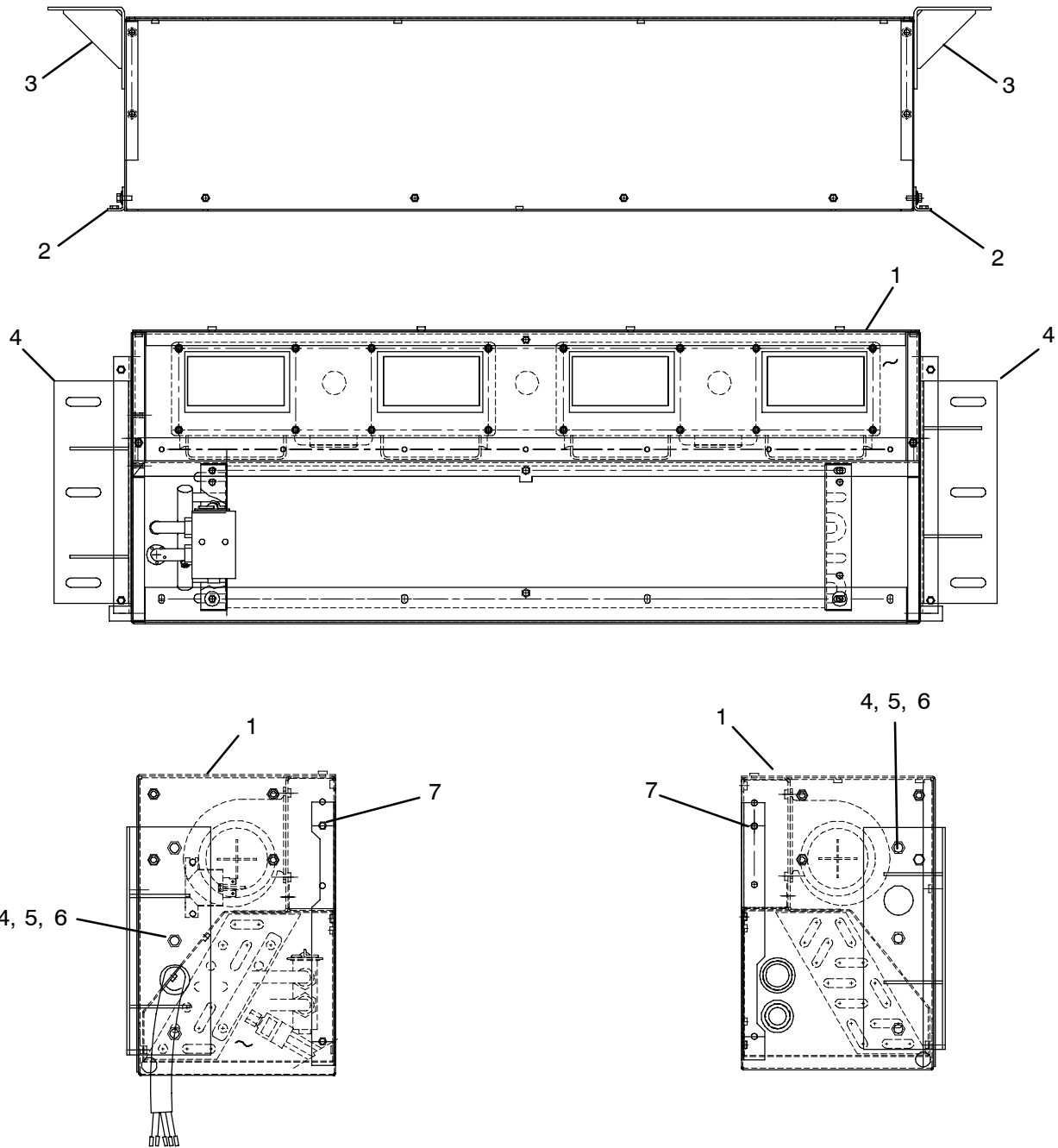


NOTE:

PARTS LIST FOR EVAPORATOR KIT 77-62134-02 IS THE SAME AS KIT 77-62134-00 EXCEPT AS SHOWN.

Item	Part Number	Description	Qty
NSS	77-62167-01	Evaporator Chassis Assembly, IW-2 - Includes:	-
1	68-63529-00	Bracket, Evaporator Mounting	1
2	68-63529-01	Bracket, Evaporator Mounting	1
3	34-06224-00	Screw, Hex Head, With Captive Washer, 1/4-20 X .75 Inch Long, SST	8

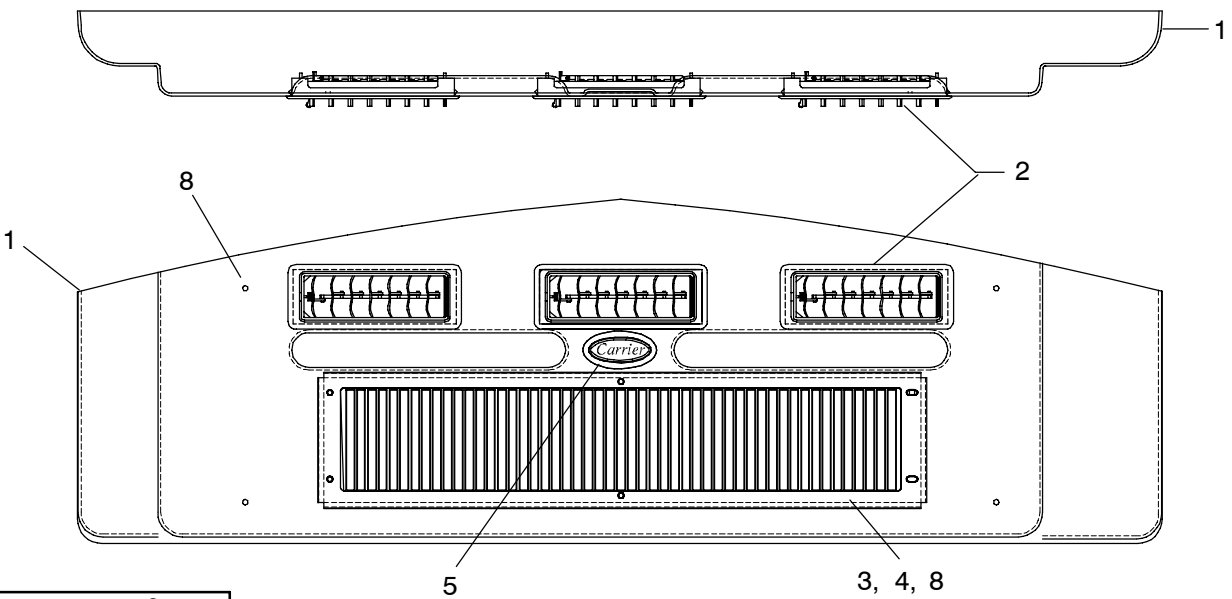
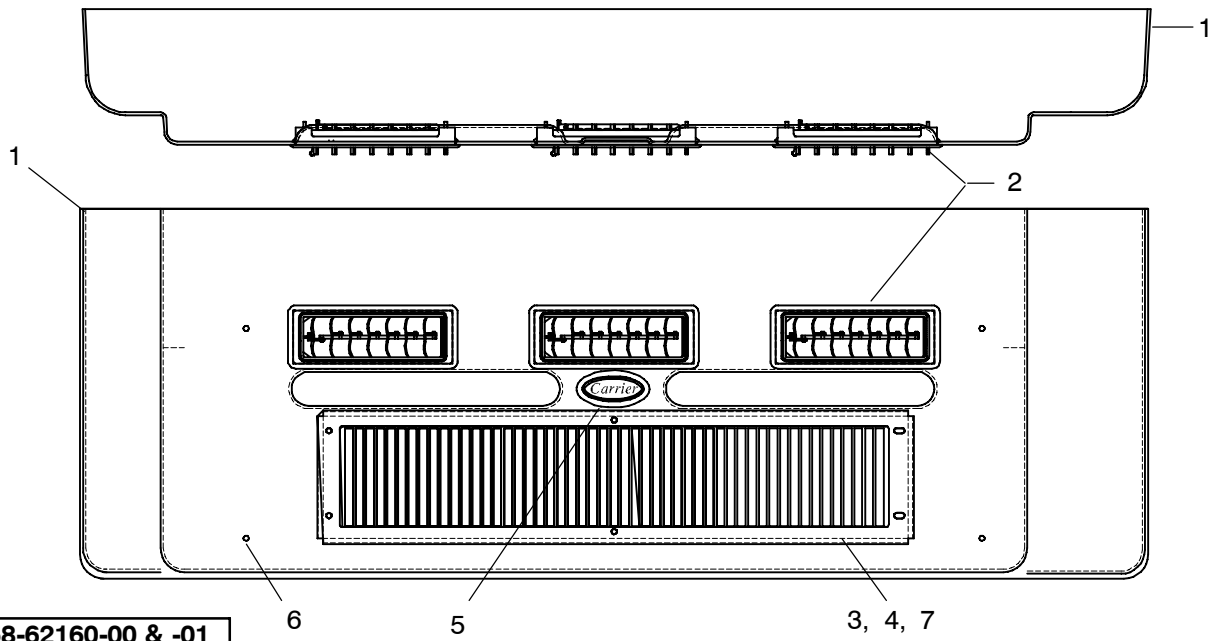
1.16.3 EVAPORATOR, IW-2, TBB SRW (77-62167-02)



Item	Part Number	Description	Qty
-	77-62167-01	Evaporator Chassis Assembly, IW-2 - Includes:	1
1	68-63242-00	...Cover, Top, IW-2	1
2	68-63617-00	...Angle Assembly, Cover, IW-2	2
3	86-62449-00	...Bracket Assembly, Evaporator Mounting, IW-2 TBB SRW	2
4	34-00792-06	...Bolt, Hex Head, 5/16-18 X .750 Inch Long, SST	6
5	34-00663-12	...Washer, Split Lock, 5/16, SST	6
6	34-00662-12	...Washer, Flat, 5/16, SST	6
7	34-00917-08	...Screw, Hex Head, With Captive Washer, 1/4-20 X .75 Inch Long, SST	4

SEE PARTS LIST 77-62134-00 FOR THIS EVAPORATOR BREAKDOWN

1.16.4 COVER ASSEMBLY, EVAPORATOR, IW-2 (79-62098-00 THRU 79-62098-03)

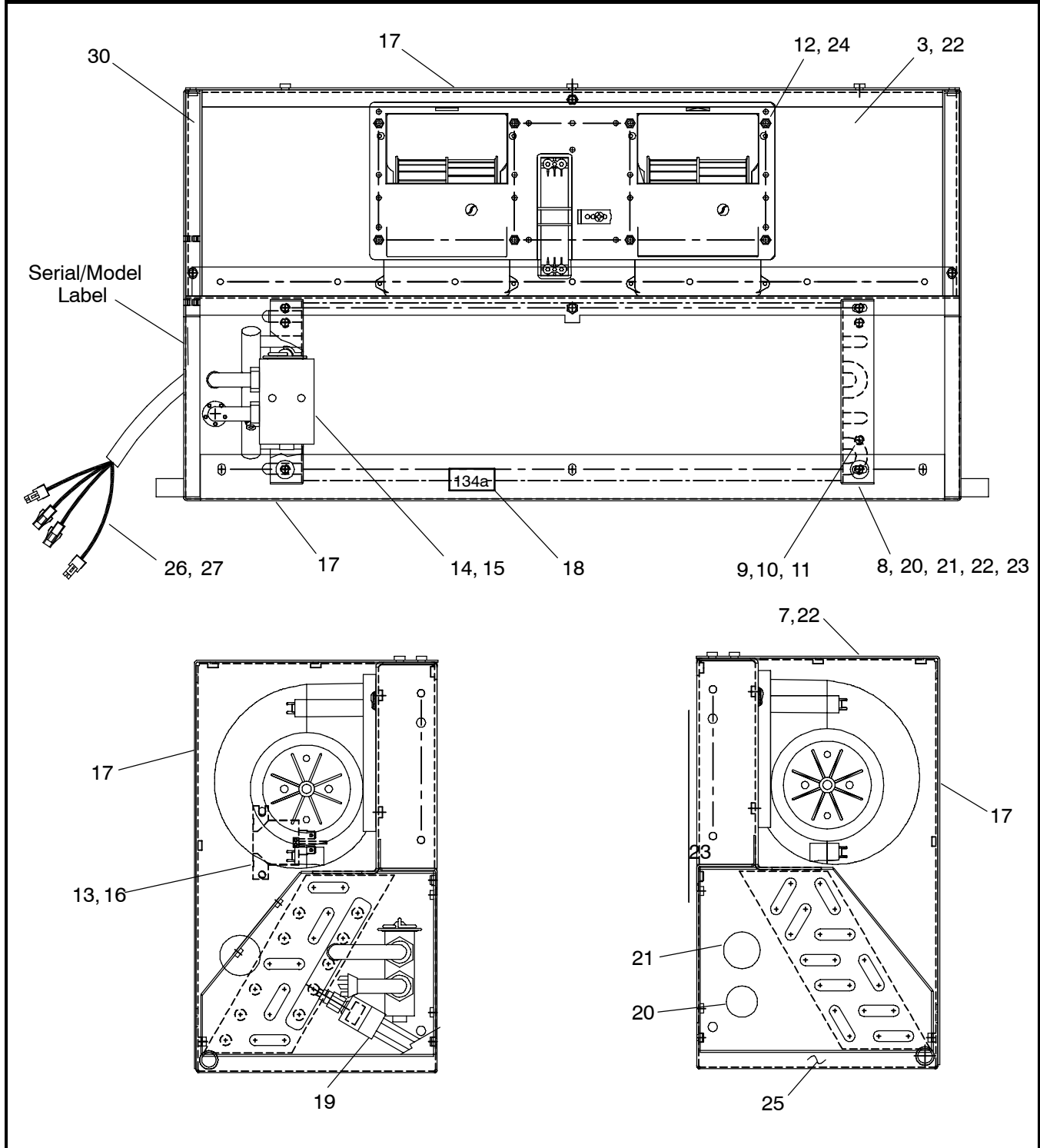


1.16.4 COVER ASSEMBLY, EVAPORATOR, IW-2 (79-62098-00 THRU 79-62098-03) - Continued

Item	Part Number	Description	Qty
1	58-62160-00	Cover, Trimmed, IW-2, Gray (4.26 Inch Deep)	1
	58-62160-01	Cover, Trimmed, IW-2, White (4.26 Inch Deep)	1
	58-62160-02	Cover, Trimmed, IW-2, Gray, TBB SRW (3.13 Inch Deep)	1
	58-62160-03	Cover, Trimmed, IW-2, White, TBB SRW (3.13 Inch Deep)	1
2	58-62042-00	Diffuser, Air, Adjustable (Rectangular)	3
3	68-63616-00	Grille, Evaporator, IW-2	1
4	38-00573-06	Filter, Air, IW-2 (26.30 X 5.75 X .25 Inch)	1
5	AC022-289	Label, Carrier	1
6	34-00917-12	Screw, Hex Head, Captive Washer, #10-32 X 3/4 Inch Long	4
7	34-00917-20	Screw, Hex Head, Captive Washer, #10-32 X 1-1/4 Inch Long	6
8	34-00917-08	Screw, Hex Head, Captive Washer, #10-32 X 1/2 Inch Long	10

1.17 IW-7 IN-WALL EVAPORATORS

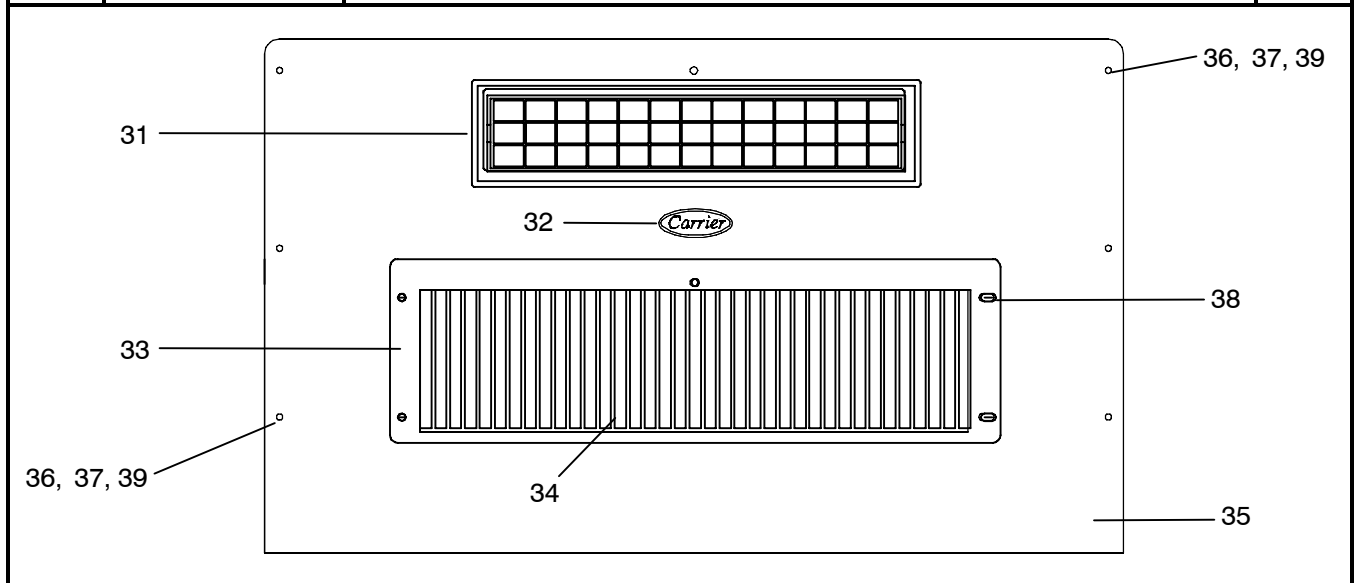
1.17.1 EVAPORATOR, IW-7 (77-62131-00)



Item	Part Number	Description	Qty
1	77-62166-00	Evaporator Chassis Assembly, IW-7 - Includes:	1
2	86-62325-00	...Panel Assembly, Bottom, IW-7, (Welded)	1
3	79-62081-00	...Panel Assembly, Blower, IW-7 - Includes:	1
4	68-63153-00Panel Assembly, Blower	1
5	68-63156-00Bracket Assembly, Blower	1
6	AC701-401Rivet, Pop, 3/16 Inch, Steel	7
7	68-63154-00	...Cover, Top, IW-7	1

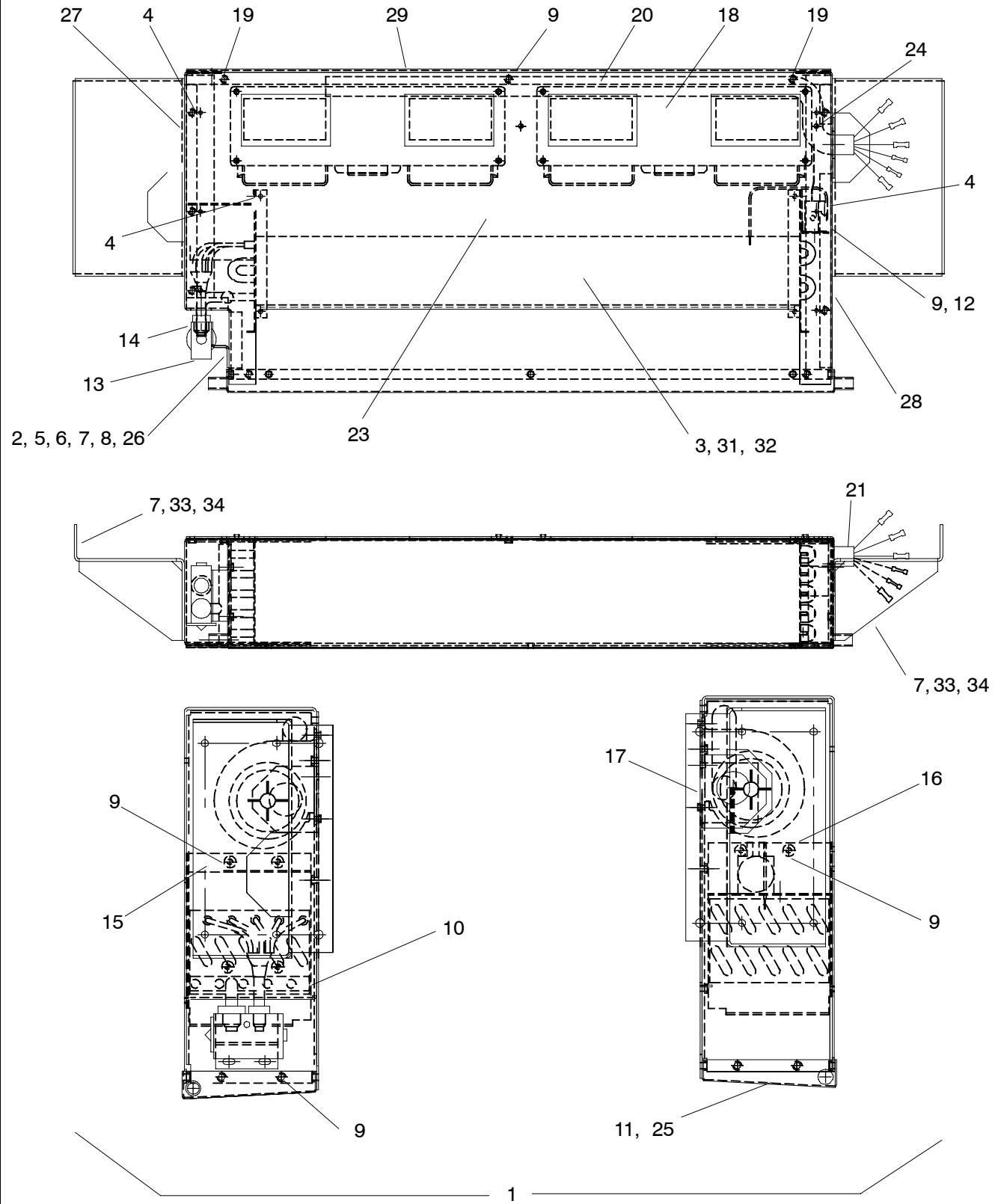
1.17.1 EVAPORATOR, IW-7, (77-62131-00) - Continued:

Item	Part Number	Description	Qty
8	08-62045-00	...Coil, Evaporator, IW-7 - Includes:	1
9	40-01124-00Body, Valve, Schrader, Brass, 1/4 SAE Flare - Includes:	1
10	14-00351-00Core, Access Valve, (Nickel Plated)	1
11	DD19CA061Cap, Seal, Flare, 1/4 Inch	1
12	34-62051-05	...Screw, Phillips, W/Int. Tooth Lock Washer, #8-32 X 5/16 Lg.	8
13	34-00733-00	...Nut, Lock, 10/32, Plated	2
14	14-00301-03	...Valve, Thermal Expansion Block, (R134a)	1
15	AC801-202	...O-Ring, 1/2 Inch HNBR	2
16	12-00547-00	...Thermostat, Freeze-Up, Non Adjustable	1
17	AC801-416	...Gasket, Foam, 1/8 X 12-3/4 Inch (25 Ft. Roll)	1
18	62-62039-00	...Label, R134a	1
19	AC201-412	...Switch, Low Pressure	1
20	58-00065-26	...Grommet, 3/4 Inch I.D.	2
21	58-00065-83	...Grommet, 1 Inch I.D.	2
22	34-62023-00	...Screw, Machine, Pan Head, 10/32 X 3/8 Inch Long	15
23	AC022-743	...Gasket, 1/8 Inch Thick PSAB	1
24	54-00606-00	...Fan & Motor Assembly, Permanent Magnet, 12 VDC	1
25	AC022-313-3	...Baffle, Drain Pan	1
26	22-62175-00	...Harness, Evaporator, IW-7, Includes:	1
27	AC201-600Diode, 6 Amp, 250 Volt	1
28	42-00032-01	...Tape, Insulation, Presstite, 2.00 X 48.00 Inches Long	1
29	58-00079-02	...Sta-Strap, Cable Clamp, 0 - 1.75 Inch Diameter, Black	1
30	AC801-414	...Gasket, Foam, 3/8 X 1.00 Inch, (25 Foot Roll)	1
31	AC401-320	Diffuser, Air, EM-1/2/3/6, GEN 3 (Used With OEM Supplied Grill Assy)	1
32	AC022-289	Decal, Carrier (Used With OEM Supplied Grill Assy)	1
33	38-00573-05	Filter, Air, IW-7, (5.5 X 19. Inches) (Used With OEM Supplied Grill Assy)	1
34	68-07964-00	Grill, Painted	1
35	68-07965-00	Cover, Painted	1
36	AC801-529	Washer, Snap Cap	12
37	AC801-531	Cap, Snap, White	12
38	34-62046-00	Screw, Pan Head, TF, #10-16 X .63 Inch Long	6
39	43-50059-00	Screw, Pan Head, #10-32 X .50 Inch Long, Zinc	6



1.18 IW-14 IN-WALL EVAPORATORS

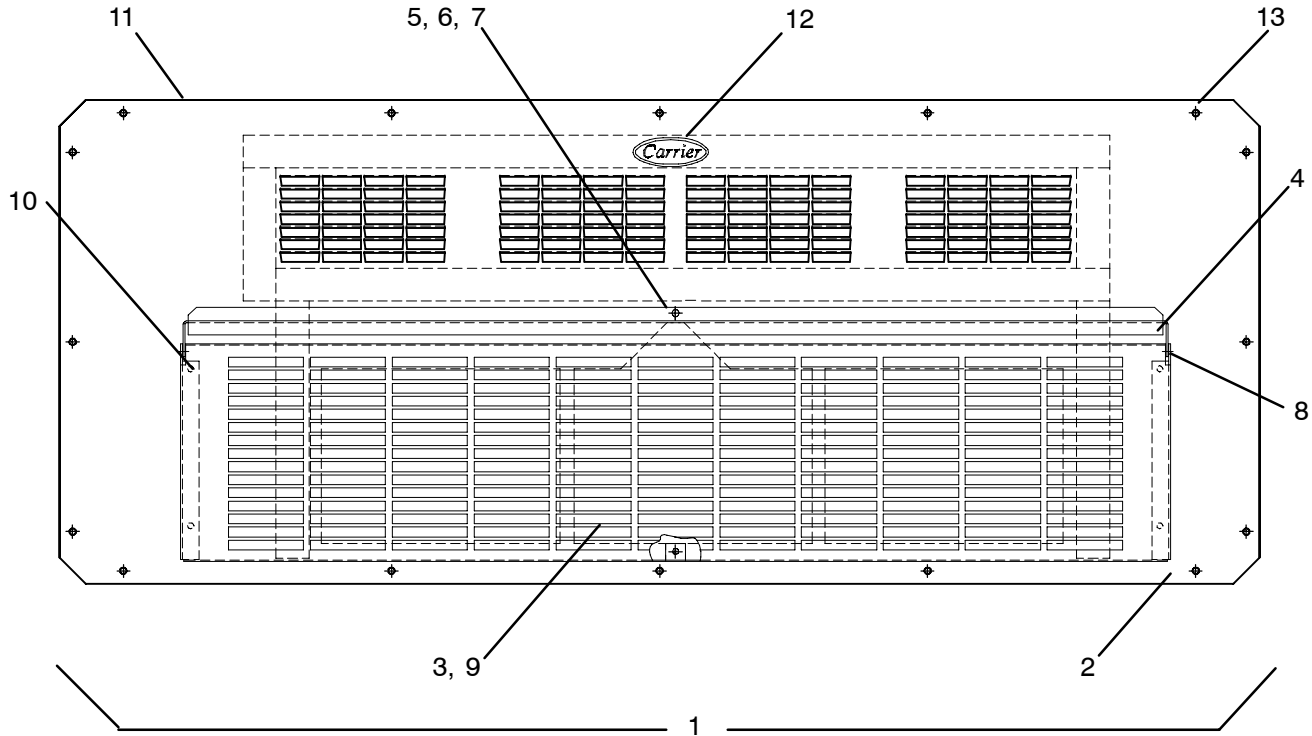
1.18.1 EVAPORATOR, IW-14, (77-62080-00)



1.18.1 EVAPORATOR, IW-14, (77-62080-00) - Continued:

Item	Part Number	Description	Qty
1	77-62080-11	Chassis Assembly, Evaporator, IW-14 - Includes:	1
2	62-62039-00	...Label, R134a	1
3	AC022-725	...Coil Assembly, 4 Row, W/O Reheat	1
4	AC701-401	...Rivet, Pop, 3/16 SD62BS	14
5	68-63048-00	...Bracket, TXV	1
6	34-00663-11	...Washer, Split Lock, 1/4 Inch, SST	9
7	34-00662-11	...Washer, Flat, 1/4 Inch, SST	10
8	34-00666-11	...Nut, Hex, 1/4-20, SST	1
9	34-00917-08	...Screw, Hex Head, Captive Washer, 10-32 X .50 Inch	24
10	AC801-416	...Gasket, Foam, 1/8 X 12-3/4 Inch (300Ft. Roll)	1
11	AC022-746-1	...Gasket, Drain Pan, .50 Thick X 5.50 X 33.25	1
12	12-00547-00	...Thermostat, Freeze-Up, Non Adjustable	1
13	14-00301-03	...Valve, Thermal Expansion Block, (R134a)	1
14	AC801-202	...O-Ring, 1/2 Inch HNBR	2
15	68-62947-00	...Baffle, Coil, Left	1
16	68-62948-00	...Baffle, Coil, Right	1
17	79-62061-00	...Panel Assembly, Evaporator, Includes:	1
18	AC401-203Blower Assembly, EM-14, 12 VDC	2
19	34-62050-04Screw, Phillips, W/Ext. Tooth Lock Washer, #10-32 X 1/2 Inch Long	8
20	58-00079-02Sta-Strap, Cable Clamp, 0 - 1.75 Inch Diameter Black	5
21	AC022-744Harness, Evaporator, EM-14, (12/24 VDC) - Includes:	1
22	22-62002-00Connector, Molded Plug With 60.00 Inch leads	2
23	68-62954-00Panel, Evaporator, EM-1	1
24	34-00733-00Nut, Hex , W/Lockwasher, Keps, 10/32, Zinc Plated	2
25	86-62262-00	...Panel Assembly, Drain Pan	1
26	34-00655-12	...Screw, Cap, Hex Head, 1/4-20 X 1-1/2 Inch SST	1
27	68-62951-00	...Side, Left	1
28	68-62952-00	...Side, Right	1
29	68-62953-00	...Wrapper	1
30	42-00032-01	...Tape, Insulation, Presstite, 2.00 X 48.00 Inches Long	1
31	AC801-414	...Gasket, Foam, 3/8 X 1 Inch X 25 Foot Roll	1
32	AC022-743	...Gasket, Foam, 0.12 Thick X 3.50 Wide X 26.25 Inches Long	1
33	68-63268-00	...Bracket, Mounting	2
34	34-62055-00	Screw, Hex Head, SEMS, W/Split Lockwasher, 1/4-20 X .62 Inch Long	8
N/S	34-00792-08	Bolt, Hex Head, 5/16-18 X 1 Inch Long, SST	4
N/S	34-00663-12	Washer, Split Lock, 5/16 Inch, SST	4
N/S	34-00662-12	Washer, Flat, 5/16 Inch, SST	4

1.18.1 EVAPORATOR, IW-14, (77-62080-00) - Continued:

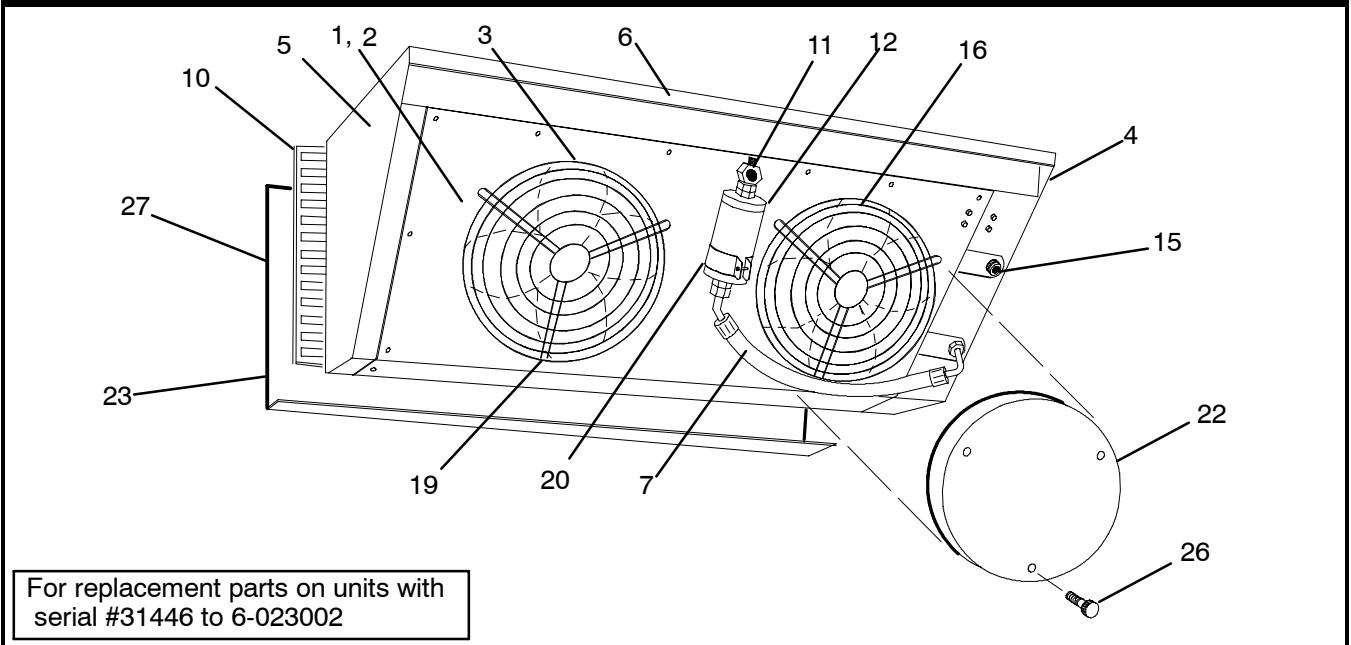


Item	Part Number	Description	Qty
1	79-62064-00	Grill Assembly IW-14, Includes:	1
2	68-62946-00Panel, Grill, EM-14, (Painted)	1
3	68-62735-00Grill, Evaporator, EM-1, GEN-5, (Painted)	1
4	68-62736-00Channel, Filter, EM-1, GEN-5, (Painted)	1
5	34-62019-00Receptable, 1/4 Turn	1
6	34-62020-00Stud, 1/4 Turn, .25 Grip Range	1
7	34-06169-01Washer, Retaining, (Southco 82 Series)	1
8	AC701-403Rivet, Pop, 1/8 Dia. AD43H	2
9	38-00573-01Filter, Air, 36.5 X 9 X .12 Inch (EM-1 GEN 5)	1
10	AC701-400Rivet, Pop, 3/16 Dia. SD64BS	5
11	AC801-403Gasket, Foam, 1-1/4 X 1-1/4 Inch (25 Foot Roll)	1
12	AC022-289 Decal, Carrier	1
13	34-62045-36	Screw, Pan Head, Phillips, #10 X 1 Inch TEK	16

SECTION 2 - CONDENSERS

SECTION 2.1 CM-2 CONDENSERS

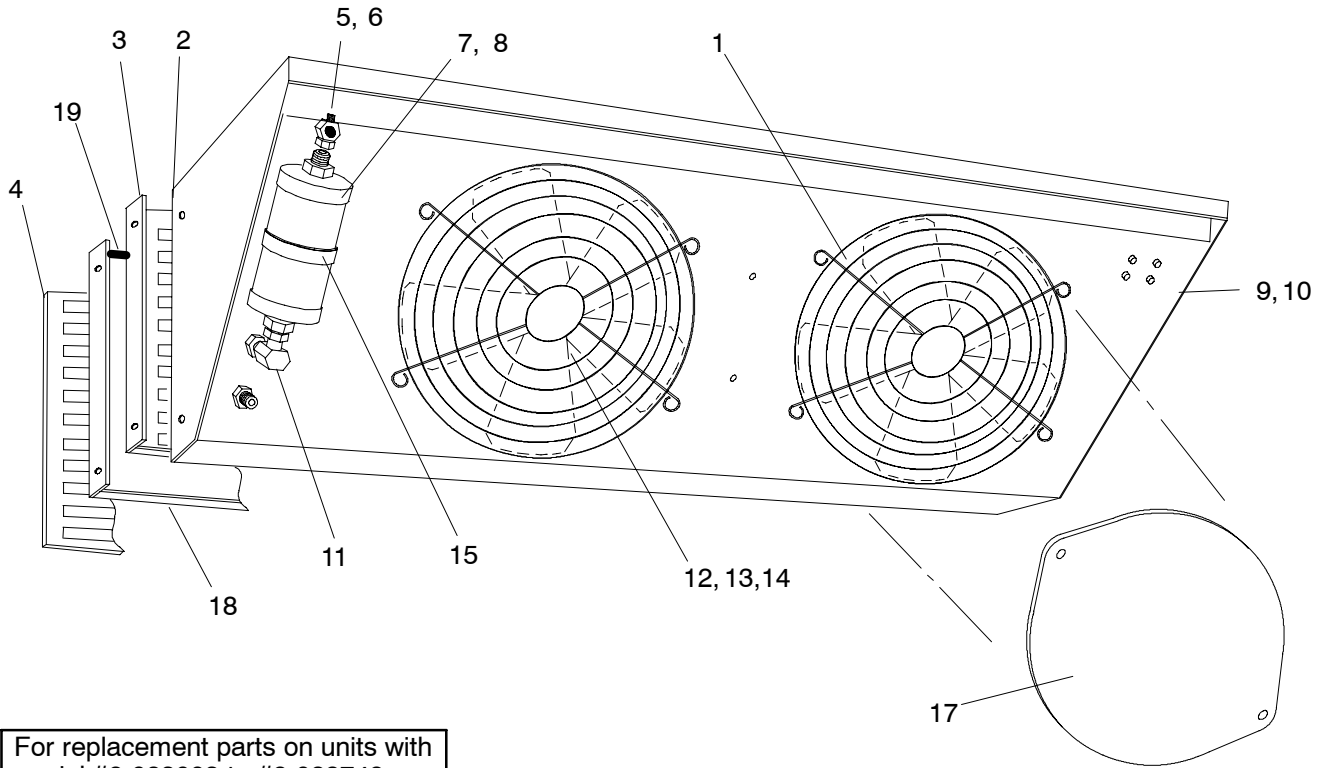
2.1.1 CONDENSER, CM-2, GEN 1 AND GEN 2



For replacement parts on units with serial #31446 to 6-023002

Item	Part Number	Description	Qty
1	AC030-003P	Panel, Venturi	1
2	AC030-004P	Baffle	1
3	AC030-006	Guard, Fan, (Wire Formed)	2
4	AC030-152P	Side, Left, Painted, (CM-2/3)	1
5	AC030-153P	Side, Right, Painted, (CM-2/3)	1
6	AC030-160P	Weldment, Top Panel, Painted	1
7	AC030-072	Hose Assembly	1
8	AC030-080	Coil Assembly, With Pressure Switches, (32 X 12 x 3 Inches)	1
9	AC030-147P	Grill, Condenser	1
10	AC033-136P	Grill, Bus Skirt, (Optional)	1
11	AC101-200	Sightglass	1
12	AC101-303	Filter Drier, 16 Cubic Inch	1
13	AC201-400	Switch, Pressure, High	1
14	AC201-404	Switch, Pressure, Low	1
15	AC301-601	Fitting, Nut, 1/2 Inch Male O-Ring, (Brass)	2
16	AC401-100	Fan Blade	2
17	AC501-102A	Motor, Condenser, 12VDC	2
	AC501-103A	Motor, Condenser, 24VDC	2
18	AC030-005	Mount, Motor, (Wire Formed)	2
19	AC701-105	Nut, Nylon	6
20	AC701-208	Clamp, Filter Drier, With Bolt	1
21	AC010-112	Kit, Winterization, Consisting Of:	1
22	AC030-075 Cover, Fan	2
23	AC030-076PCover, Coil	1
24	AC701-106Clip, Tinnerman, (1/4-20)	6
25	AC801-305Washer, Nylon,	6
26	AC801-307Screw, Nylon, 1/4-20 Knurled Head	6
27	AC801-412Gasket, Trim Seal, Black X Foot	11

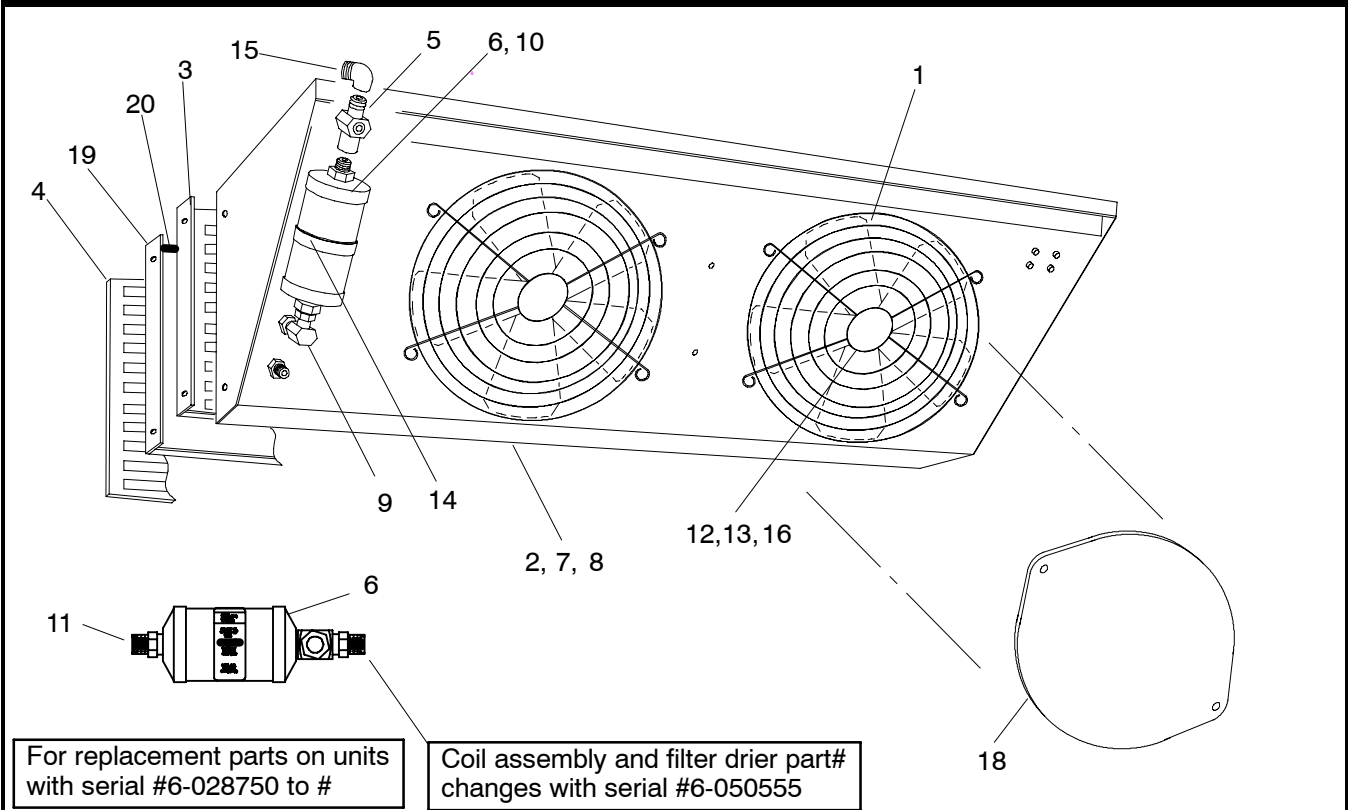
2.1.2 CONDENSER, CM-2, GEN 3



For replacement parts on units with serial #6-023003 to #6-028749

Item	Part Number	Description	Qty
1	AC030-234	Guard, Fan	2
2	AC033-119S	Coil Assembly, With Pressure Switches, (32 X 10 x 2-1/2 Inches)	1
3	AC033-134P	Grill, Condenser Mounted	1
4	AC033-136	Grill, Bus Skirt Mounted	1
5	AC101-202	Sightglass, Bullseye Type, 7/8-14 Thread	1
6	AC801-221	O-Ring, Sightglass, (Use With AC101-202)	1
7	AC101-312	Filter Drier, 16 Cubic Inch, 1/2 Inch Male Flare-O	1
8	AC801-220	O-Ring, 1/2 Inch	1
9	AC201-414	Switch, High Pressure	1
10	AC201-412	Switch, Low Pressure	1
11	AC301-441	Fitting, Swivel Union, 1/2 Inch Female Flare X 1/2 Inch Female Flare	1
12	AC401-110	Fan & Motor Assembly, 12 VDC - Includes:	2
	54-50080-00	...Motor, Fan, 12 VDC	1
	44-50024-00	...Clip, Fan Blade	1
13	AC033-128	Harness, Condenser, CM-2	1
14	CM205-197	Fan Assembly, 24 VDC	2
15	AC701-269	Clamp, Worm Gear, (Filter Drier)	1
16	AC033-146	Kit, Winterization, Consisting Of:	1
17	AC033-145Cover, Fan	2
18	AC033-142Cover, Coil	1
19	AC801-412Gasket, Trim Seal, Black X Foot	3

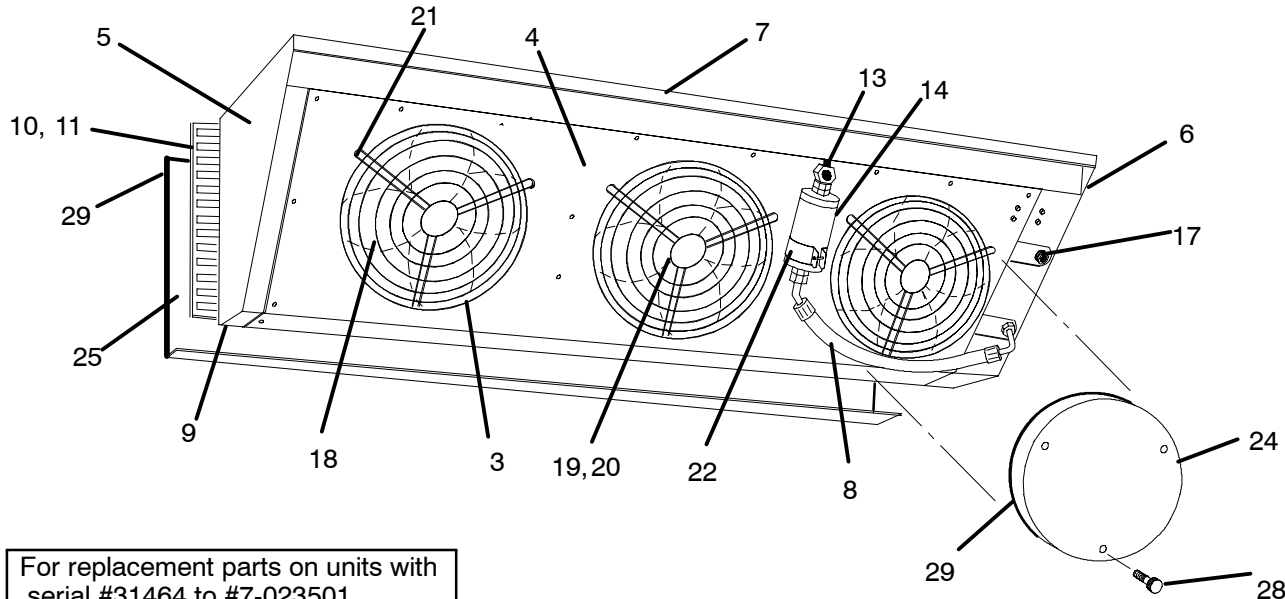
2.1.3 CONDENSER, CM-2, GEN 4



Item	Part Number	Description	Qty
1	AC030-234	Guard, Fan	2
2	AC033-219	Coil Assembly, With Pressure Switches, (Before serial #6-050555)	1
	08-62035-00	Coil Assembly (Beginning serial #6-050555)	1
3	AC033-134P	Grill, Condenser Mounted	1
4	AC033-136	Grill, Bus Skirt Mounted	1
5	AC101-200	Sightglass	1
6	AC101-312	Filter Drier, 16 Cubic Inch, 1/2 Inch MFO (Before serial #6-050555)	1
	14-00288-00	Filter Drier/Sightglass Combination, (Beginning with serial #6-050555)	1
7	AC201-414	Switch, High Pressure	1
8	AC201-412	Switch, Low Pressure	1
9	AC301-441	Fitting, Swivel Union, 1/2 Inch Female Flare X 1/2 Inch Female Flare	1
	40-62036-00	Fitting, Swivel Union, 1/2 Inch Female O-Ring X 1/2 Inch Female O-Ring	1
10	AC801-220	O-Ring, 1/2 Inch MF-O, (Old)	2
11	AC801-202	O-Ring, 1/2 Inch HNBR, (New)	2
12	AC401-110	Assembly, Fan, 12 VDC - Includes:	2
	54-50080-00	...Motor, Fan, 12 VDC	1
	44-50024-00	...Clip, Fan Blade	1
13	CM205-197	Assembly, Fan, 24 VDC	2
14	AC701-269	Clamp, Worm Gear, (Filter Drier)	1
15	AC301-698	Fitting, 90°, 1/2 Inch Male Flare X 1/2 Inch Female Flare	1
16	22-62052-00	Harness, Condenser, CM-2	1
17	AC033-146	Kit, Winterization, Consisting Of:	1
18	AC033-145Cover, Fan, (Winterguard)	2
19	AC033-142Cover, Coil, (Winterguard)	1
20	AC801-412Gasket, Trim Seal, Black X Foot	3

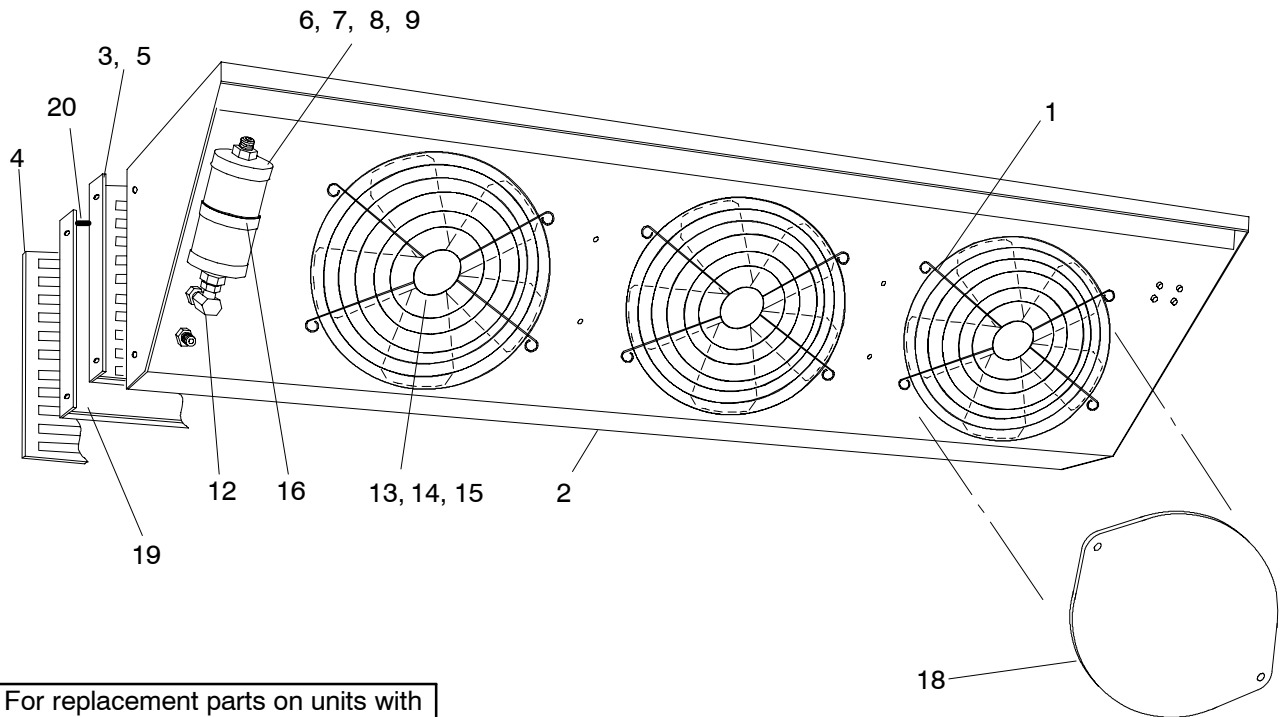
SECTION 2.2 CM-3 CONDENSERS

2.2.1 CONDENSER, CM-3, GEN 1 & GEN 2



Item	Part Number	Description	Qty
1	AC030-004P	Baffle	2
2	AC030-005	Mount, Motor, (Wire Formed)	3
3	AC030-006	Guard, Fan, (Wire Formed)	3
4	AC030-017	Panel, Venturi	1
5	AC030-152P	Side, Left, Painted, (CM-2/3)	1
6	AC030-153P	Side, right, Painted, (CM-2/3)	1
7	AC030-151P	Weldment, Top Panel, Painted	1
8	AC030-073	Assembly, Hose	1
9	AC030-081	Coil Assembly, With Pressure Switches, (44.25 X 12 x 3 Inches)	1
10	AC030-122P	Grill, Condenser	1
11	AC030-019	Screen, Condenser, CM-3	1
12	AC030-217P	Grill, Bus Skirt, (Optional)	1
13	AC101-200	Sightglass	1
14	AC101-303	Filter Drier. 16 Cubic Inch	1
15	AC201-400	Switch, Pressure, High	1
16	AC201-404	Switch, Pressure, Low	1
17	AC301-601	Fitting, Nut, 1/2 Inch Male O-Ring, (Brass)	2
18	AC401-100	Blade, Fan	3
19	AC501-102A	Motor, Condenser, 12VDC	3
	AC501-103A	Motor, Condenser, 24VDC	3
20	AC201-905	Harness, Condenser Motor	3
21	AC701-105	Nut, Nylon	9
22	AC701-208	Clamp, Filter Drier, With Bolt	1
23	AC010-113	Kit, Winterization, Consisting Of:	1
24	AC030-075Cover, Fan	3
25	AC030-077PCover, Coil	1
26	AC701-106Clip, Tinnerman, (1/4-20)	9
27	AC801-305Washer, Nylon,	9
28	AC801-307Screw, Nylon, 1/4-20 Knurled Head	9
29	AC801-412Gasket, Trim Seal, Black X Foot	15

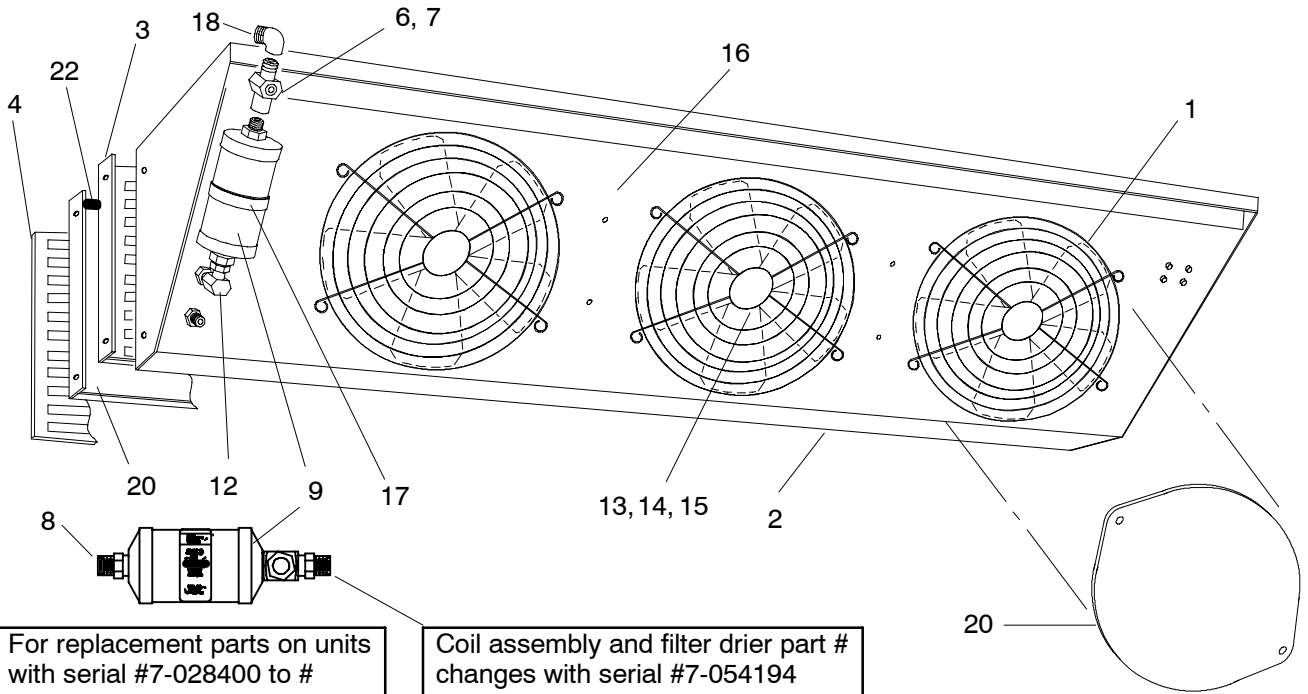
2.2.2 CONDENSER, CM-3, GEN 3



For replacement parts on units with serial #7-023502 to #7-028399

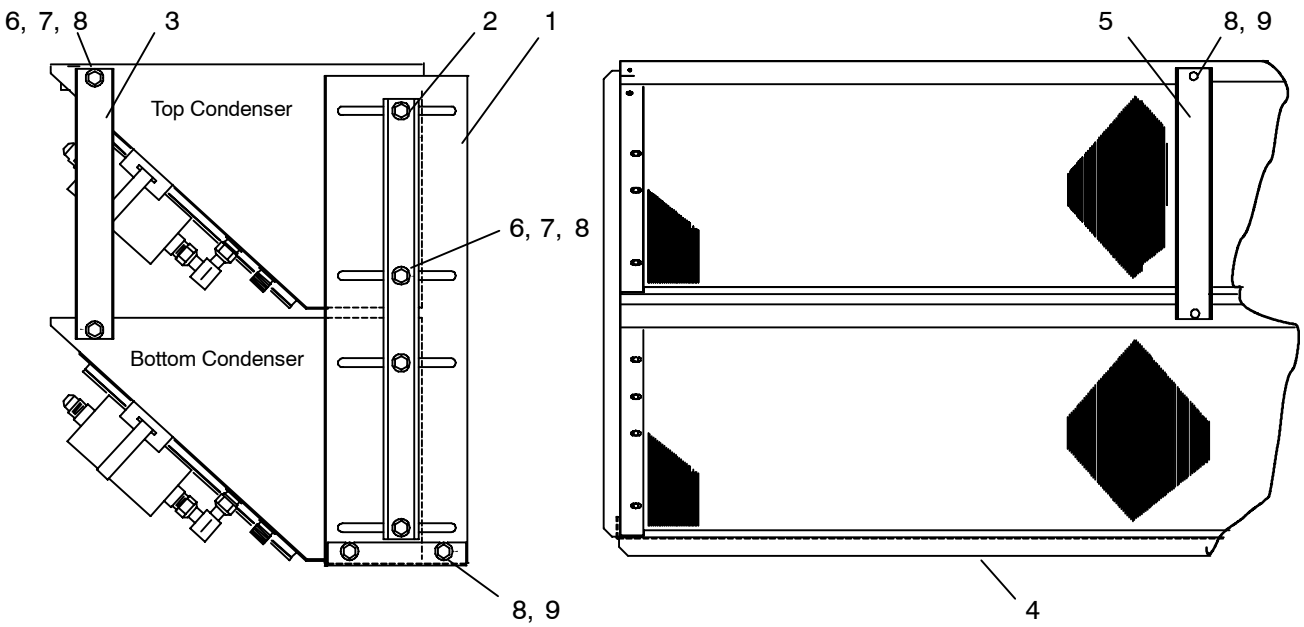
Item	Part Number	Description	Qty
1	AC030-234	Guard, Fan	3
2	AC033-120S	Coil Assembly, With Pressure Switch, (44.25 X 10 x 2-1/2 Inches)	1
3	AC033-133P	Grill, Condenser Mounted, Black	1
	68-15461-00	Grill, Condenser Mounted, Black (MCHX)	1
4	AC033-135	Grill, Bus Skirt Mounted	1
5	AC033-144	Assembly, Tab, (Used with Condenser Mounted Grill)	1
6	AC101-202	Sightglass, Bullseye Type, 7/8-14 Thread	1
7	AC101-312	Filter Drier, 16 Cubic Inch, 1/2 Inch Male Flare-O	1
8	AC801-220	O-Ring, 1/2 Inch MF-O	1
9	AC801-221	O-Ring, Sightglass, (Use With AC101-202)	1
10	AC201-414	Switch, High Pressure	1
11	AC201-412	Switch, Low Pressure	1
12	AC301-441	Fitting, Swivel Union, 1/2 Inch Female Flare X 1/2 Inch Female Flare	1
13	AC401-110	Assembly, Fan, 12 VDC - Includes:	3
	54-50080-00	...Motor, Fan, 12 VDC	1
	44-50024-00	...Clip, Fan Blade	1
14	CM205-197	Assembly, Fan, 24 VDC	3
15	AC033-127	Harness, Condenser, CM-3	1
16	AC701-269	Clamp, Worm Gear, (Filter Drier)	1
17	AC033-147	Kit, Winterization, Consisting Of:	1
18	AC033-145Cover, Fan, (Winterguard)	3
19	AC033-143Cover, Coil, (Winterguard)	1
20	AC801-412Gasket, Trim Seal, Black X Foot	4

2.2.3 CONDENSER, CM-3, GEN 4



Item	Part Number	Description	Qty
1	AC030-234	Guard, Fan	3
2	AC033-220	Coil Assembly, With Pressure Switches, (Before serial #7-054194)	1
	08-62035-01	Coil Assembly (Beginning w/serial #7-054194)	1
3	AC033-133P	Grill, Condenser Mounted, Black	1
	68-15461-00	Grill, Condenser Mounted, Black (MCHX)	1
4	AC033-135	Grill, Bus Skirt Mounted	1
5	AC033-144	Assembly, Tab, (Used with Condenser Mounted Grill)	1
6	AC101-200	Sightglass	1
7	AC801-220	O-Ring, 1/2 Inch MF-O, (Old)	2
8	AC801-202	O-Ring, 1/2 Inch HNBR, (New)	2
9	AC101-312	Filter Drier, 16 Cubic Inch, 1/2 Inch MFL-O, (Before serial #7-054194)	1
	14-00288-00	Filter Drier/Sightglass Combination, (Beginning with serial #7-054194)	1
10	AC201-414	Switch, High Pressure	1
11	AC201-412	Switch, Low Pressure	1
12	AC301-441	Fitting, Swivel Union, 1/2 Inch Female Flare X 1/2 Inch Female Flare (Old)	1
	40-62036-00	Fitting, Swivel Union, 1/2 Inch Female O-Ring X 1/2 Inch Female O-Ring	1
13	AC401-110	Assembly, Fan, 12 VDC - Includes:	3
	54-50080-00	...Motor, Fan, 12 VDC	1
	44-50024-00	...Clip, Fan Blade	1
14	CM205-197	Assembly, Fan, 24 VDC	3
15	22-62053-00	Harness, Condenser, CM-3	1
16	68-62501-00	Panel Assembly, Venturi	1
17	AC701-269	Clamp, Worm Gear, (Filter Drier)	1
18	AC301-698	Fitting, 90°, 1/2 Inch Male Flare X 1/2 Inch Female Flare, (Brass)	1
19	AC033-147	Kit, Winterization, Consisting Of:	1
20	AC033-145Cover, Fan, (Winterguard)	3
21	AC033-143Cover, Coil, (Winterguard)	1
22	AC801-412Gasket, Trim Seal, Black X Foot	4

2.2.4 CONDENSER, STACKED, CM2/3

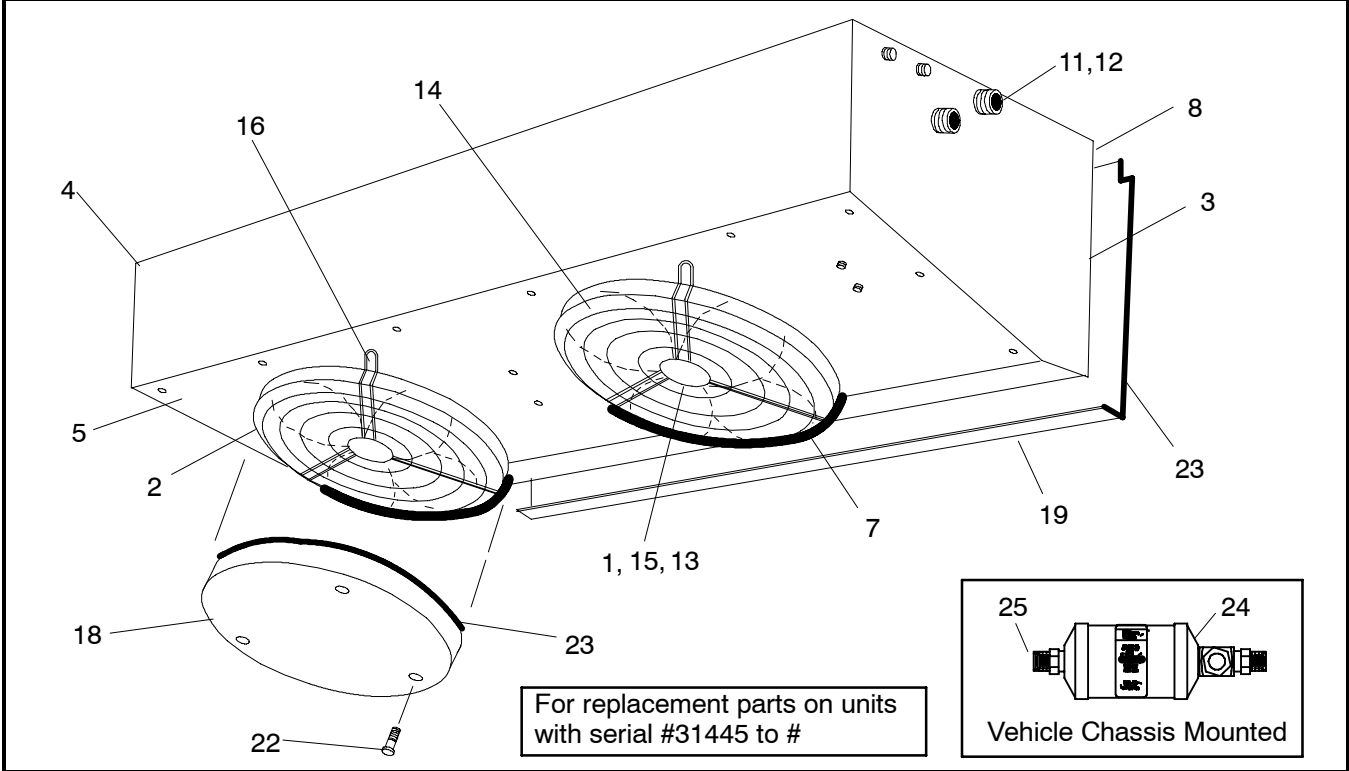


AC033-162 - KIT, CM-2 STACKED WITH BOTTOM SKIRTING
 AC033-163 - KIT, CM-3 STACKED WITH BOTTOM SKIRTING

Item	Part Number	Description	Qty
1	AC033-154	Bracket, Air Inlet, Stacked Condenser, Painted	2
2	AC033-158	Stiffner, Air Inlet, Stacked Condenser, Painted	2
3	AC033-155	Bracket, Air Outlet, Stacked Condenser, Painted	2
4	AC033-156	Plate, Block-Off, Stacked Condenser, Painted, 3 Fan Only	1
	AC033-157	Plate, Block-Off, Stacked Condenser, Painted, 2 Fan Only	1
5	AC033-160	Bracket, Front, Painted, (3 Fan Only)	1
6	34-00309-08	Bolt, Hex Head, 1/4-20 X 1 Inch, Grade 5	12
7	34-06212-12	Washer, Flat, 1/4 Inch, SST, (CM-3 Stacked)	18
		Washer, Flat, 1/4 Inch, SST, (CM-2 Stacked)	16
8	34-00663-11	Washer, Split Lock, 1/4 Inch, SST	12
9	34-00361-11	Nut, Hex, Lock, (ESNA), 1/4-20, Plated, (CM-3 Stacked)	6
		Nut, Hex, Lock, (ESNA), 1/4-20, Plated, (CM-2 Stacked)	4
N/S	AC033-164	Instructions, Installation Drawing	1

SECTION 2.3 CM-4 CONDENSER

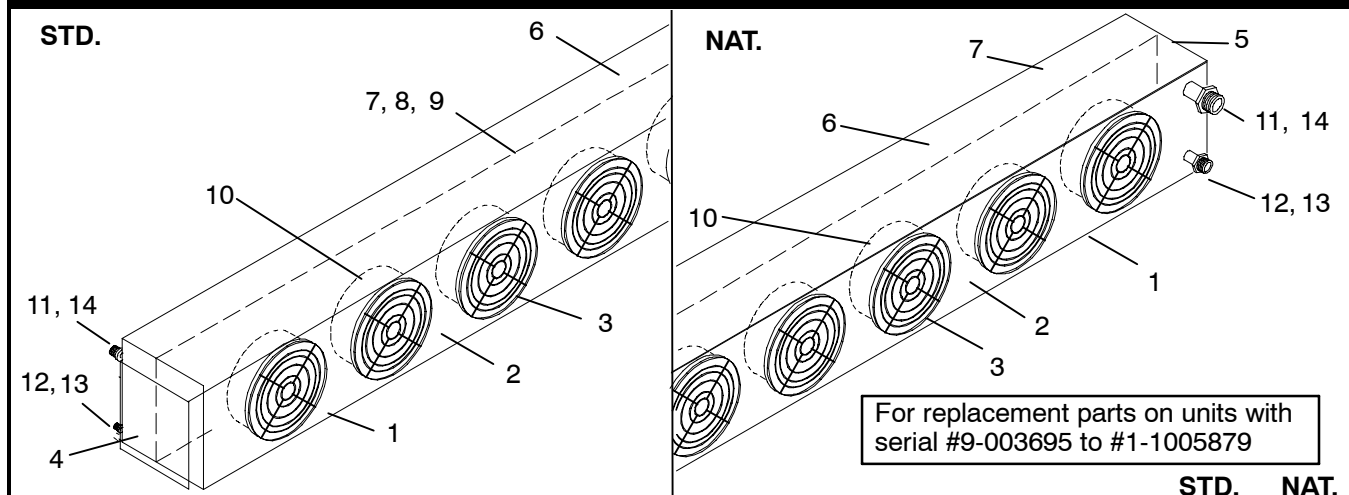
2.3.1 CONDENSER, CM-4



2.3.1 CONDENSER, CM-4 - Continued			
Item	Part Number	Description	Qty
1	AC030-005	Mount, Motor, Wire Formed	2
2	AC030-006	Guard, Fan, Wire Formed	2
3	AC030-018	Screen, Condenser	1
4	AC030-026	Wrapper, Condenser	1
5	AC030-027	Panel, Venturi	1
6	AC030-028	Baffle	1
7	AC030-032	Ring, Air Deflector	2
8	AC030-082	Coil Assembly, With Pressure Switches, (35 X 8 X 3 Inches)	1
9	AC201-400	Switch, Pressure, High	1
10	AC201-404	Switch, Pressure, Low	1
11	AC301-601	Fitting, Nut, 1/2 Inch M.I.O-Ring, (Brass)	2
12	AC801-202	O-Ring, 1/2 Inch, HNBR	2
13	AC201-905	Harness, Motor	2
14	AC401-100	Blade, Fan	2
15	AC501-102A	Motor, Condenser, 12 VDC	2
	AC501-103A	Motor, Condenser, 24 VDC	2
16	AC701-105	Nut, Nylon	6
17	AC010-114	Kit, Winterization, Consisting Of:	1
18	AC030-075Cover, Fan	2
19	AC030-078Cover, Coil	1
20	AC701-106Clip, Tinnerman, 1/4-20	6
21	AC801-305Washer, Nylon	6
22	AC801-307Screw, Nylon, 1/4-20 Knured Heads	6
23	AC801-412Gasket, Trim Seal, Black X Foot	7
24	14-00288-00	Filter Drier/Sight Glass, 1/2 Inch Male O-Ring	1
25	AC801-202	O-Ring, 1/2 Inch HNBR	2

SECTION 2.4 CM-5 CONDENSER

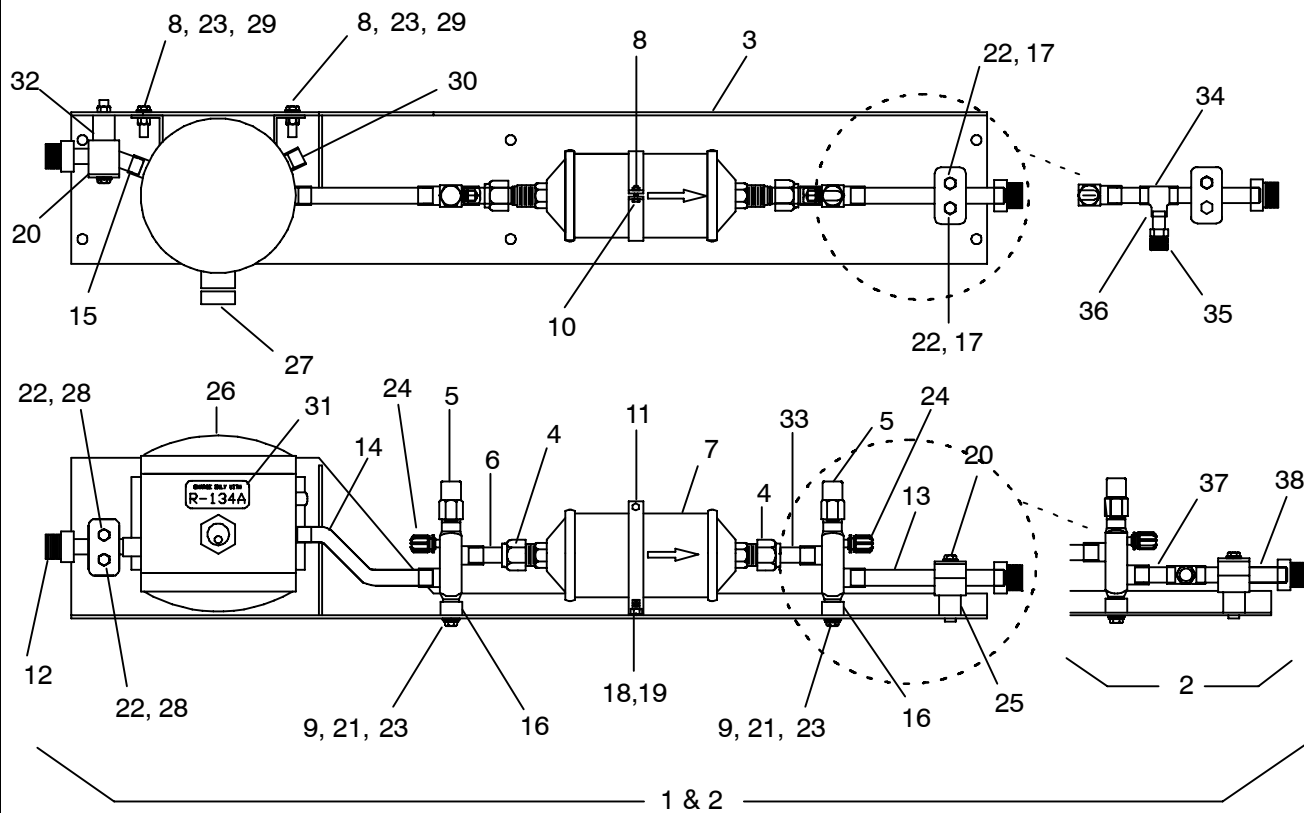
2.4.1 CONDENSER, CM-5



Item	Part Number	Description	STD. Qty	NAT. Qty
N/S	AC030-231	Baffle	4	3
N/S	AC030-335	Baffel, Solenoid Mount	NA	1
1	AC030-232P	Panel, Bottom	1	1
2	AC030-233P	Panel, Front	1	NA
	AC030-333P	Panel, Front, (NAT)	NA	1
3	AC030-234	Guard, Fan	5	5
4	AC030-235	Panel, Left Side	1	NA
	AC030-334	Panel, Left Side, (NATI)	NA	1
5	AC030-236	Panel, Right Side	1	NA
	AC030-332	Panel, Right Side, (NAT)	NA	1
6	AC030-237	Panel, Top	1	1
N/S	AC030-240	Bracket, Discharge Tube	1	NA
	AC030-337	Bracket, Discharge Tube, (NAT)	NA	1
7	AC030-340	Coil Assembly	NA	1
	81-62062-00	Coil Assembly - Includes:	1	NA
8	08-62005-00	...Coil	1	NA
9	14-00024-07	...Check Valve	1	NA
N/S	AC030-247	Bracket, Liquid Tube	1	NA
	AC030-336	Bracket, Liquid Tube, (NAT)	NA	1
N/S	22-02336-06	Fuse, 15 AMP	5	5
N/S	22-50078-23	Cover, Fuse	5	5
N/S	22-50078-22	Holder, Fuse	5	5
N/S	AC201-126	Terminal, Fuse	10	10
10	AC030-313	Assembly, Fan, 12 VDC	5	NA
	AC030-314	Assembly, Fan, 24 VDC	5	NA
	AC030-315	Assembly, Fan, 24 VDC, (2-Speeds)	5	5
N/S	10-00300-00	Solenoid, (Normally Open)	NA	1
N/S	12-00299-11	Switch, Pressure-CFS/R134a	NA	1
N/S	12-01132-00	Switch, Temperature (LATH)	1	NA
11	40-00491-00	Fitting, ORS, (Discharge)	1	1

2.4.1 CONDENSER, CM-5 - Continued:				
Item	Part Number	Description	Qty	Qty
12	40-00491-09	Fitting, ORS, (Liquid)	1	1
N/S	AC201-615	Resistor, .25 OHM, With Mounting Brackets	N/A	1
13	42-00243-00	O-Ring, ORS, #16	1	1
14	42-00243-03	O-Ring, ORS, #10	1	1

2.4.2 LIQUID LINE ASSEMBLY, CM-5, CM-14, & C4RE, (REMOTE)

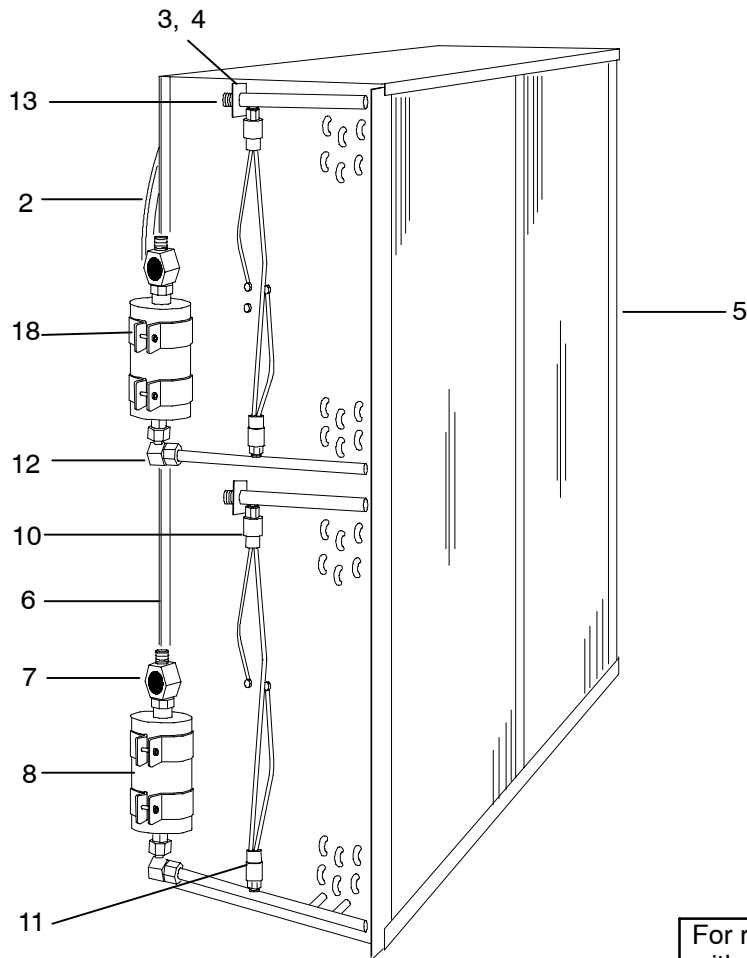


Item	Part Number	Description	Qty
1	81-62003-00	Liquid Line Assembly (Used With CM-5 & CM-14)	1
2	81-62003-01	Liquid Line Assembly (Used With C4RE Only)	1
3	86-62024-00	Bracket Assembly Painted	1
4	40-00097-10	Nut, Flare, 5/8 Short	2
5	40-00501-05	Valve, King	2
6	68RT10-1462	Tube, Flared, 5/8 OD X .040W Copper	1
7	14-00200-00	Filter Drier, 41 Cubic Inch	1
8	34-00666-12	Nut, Lock, 5/16-18	5
9	34-00368-12	Washer, Lock, 5/16 Spring, Plated	2
10	34-00792-12	Bolt, Machine, Hex Head, 5/16-18 X 1-1/2 Inch Long, SST	1
11	AC701-243	Clamp, Conduit, 3 Inch, SST	1
12	40-00491-09	Fitting, 5/8 ODF x 1.00 ORS	2
13	56-00143-36	Tube, Copper, 5/8 OD X .040W (Used With Item #1 Only)	1
14	56-62010-00	Tube, Copper, 5/8 OD X .040W	1
15	56-62011-00	Tube, Copper, 5/8 OD X .040W	1
16	AC601-609	Spacer, 7/8 X 1/2 X 9/16 Inch	2
17	34-00655-22	Bolt, Machine, Hex Head, 1/4-20 X 2-3/4 Inch Long	2
18	34-00361-11	Nut, Lock, 1/4-20 ESNA	1
19	34-06212-12	Washer, Flat, 1/4 Inch, SST	1
20	44-00285-82	Clamp, Tube, 5/8 OD	2
21	34-00677-10	Bolt, Machine, Hex Head, 5/16-24 X 1-1/4 Inch Long, Grade 8	2
22	34-00663-11	Washer, Lock, 1/4 Inch Nominal, Spring	4

2.4.2 LIQUID LINE ASSEMBLY, CM-5 AND CM-14, (REMOTE) - Continued			
Item	Part Number	Description	Qty
23	34-06212-13	Washer, Flat, 5/16 Inch Nominal	6
24	40-00501-50	Cap, King Valve, Service Part	2
25	AC601-615	Spacer, 7/8 X 1/2 X 15/16 Inch	2
26	65-01035-01	Receiver Assembly	1
27	AC101-203	Sightglass, Moisture Indicator, 7/8-14	1
28	34-00655-24	Bolt, Machine, Hex Head, 1/4-20 X 3 Inch Long, SST	2
29	34-00792-08	Bolt, Hex Head, 5/16-18 X 1 Inch, SST	4
30	14-01032-01	Plug, Fusible, 3/8 MPT	1
31	62-62039-00	Label, Charge With R-134a, (CM5 & CM-14)	1
	AC901-535	Label, R-134a, (C4RE)	1
32	AC601-618	Spacer, 7/8 X 1/2 X 1-1/8 Inch	2
33	68RM35-1122	Tube, Liquid, 5/8 OD X .040W Copper	1
34	40-00169-33	Tee, Reducing, 5/8 X 5/8 X 1/2 , (C4RE Only)	1
35	40-62032-02	Nut, Swivel Fitting, #8 MIO X 1/2 Tube, (C4RE Only)	1
36	56-00142-24	Tube, Copper, 1/2 OD x .035W X 1.38 Inch Long, (C4RE Only)	1
37	56-00143-75	Tube, Copper, 5/8 OD x .040W, (C4RE Only)	1
38	56-00143-47	Tube, Copper, 5/8 OD x .040W, (C4RE Only)	1

SECTION 2.5 CM-6 CONDENSER

2.5.1 CONDENSER, CM-6

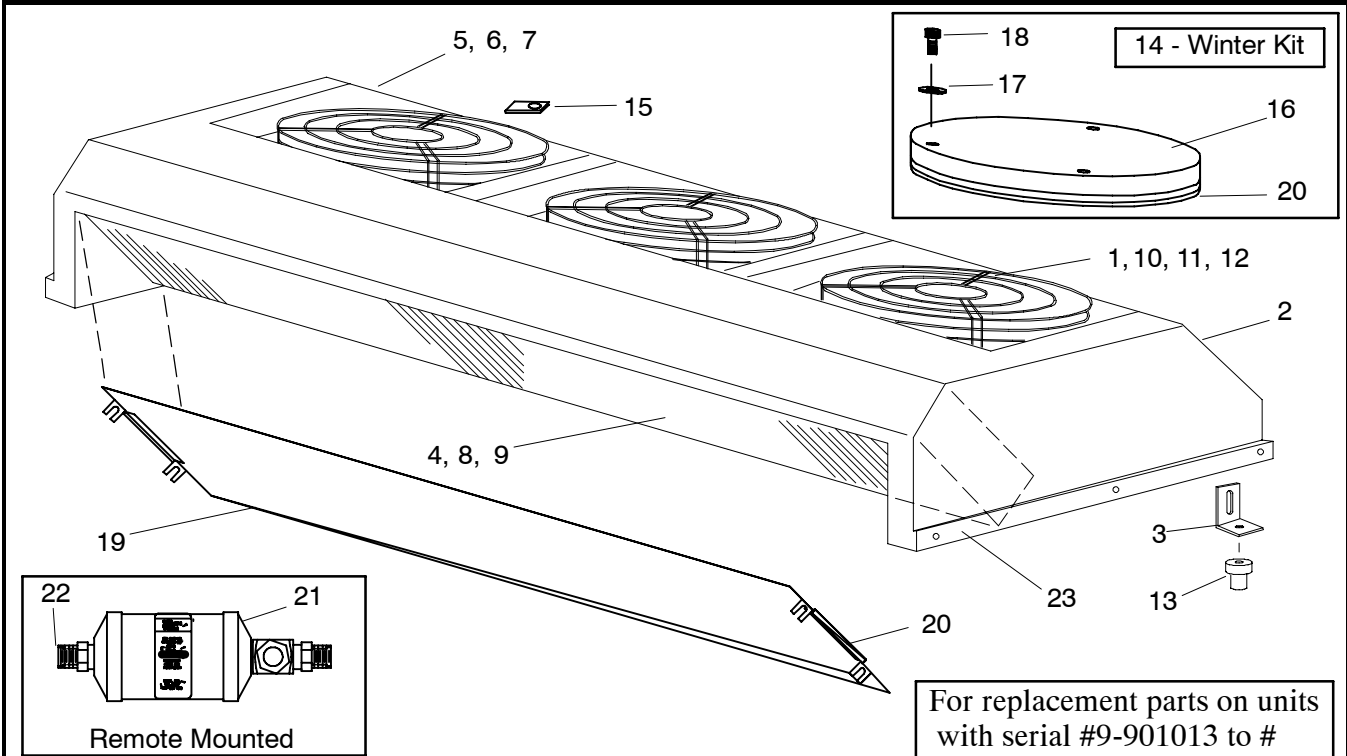


For replacement parts on units with serial #34979 to #

Item	Part Number	Description	Qty
1	AC030-005	Mount, Motor, Wire Formed	6
2	AC030-006	Guard, Fan, Wire Formed	6
3	AC030-024	Plate, O-Ring	2
4	AC030-056	Bracket, O-Ring Plate	2
5	AC030-052	Coil, Condenser	1
6	AC030-053	Plate, Venturi	1
7	AC101-200	Sightglass	2
8	AC101-303	Filter drier	2
9	AC201-100	Circuit breaker, 20 AMP	6
10	AC201-400	Switch, Pressure, High	2
11	AC201-404	Switch, Pressure, Low	2
12	AC301-452	Fitting, 90° Swivel Union, 1/2 Inch FFL X 1/2 Inch MFL	2
13	AC301-601	Fitting, Nut, 1/2 Inch Male O-Ring, (Brass)	2
14	AC201-905	Harness, Motor	2
15	AC401-100	Blade, Fan	6
16	AC501-102A	Motor, Condenser, 12 VDC	6
	AC501-103A	Motor, Condenser, 24 VDC	6
17	AC701-105	Nut, Nylon	18
18	AC701-208	Clamp, Filter Drier, With Bolt	4

SECTION 2.6 CM-7 CONDENSER

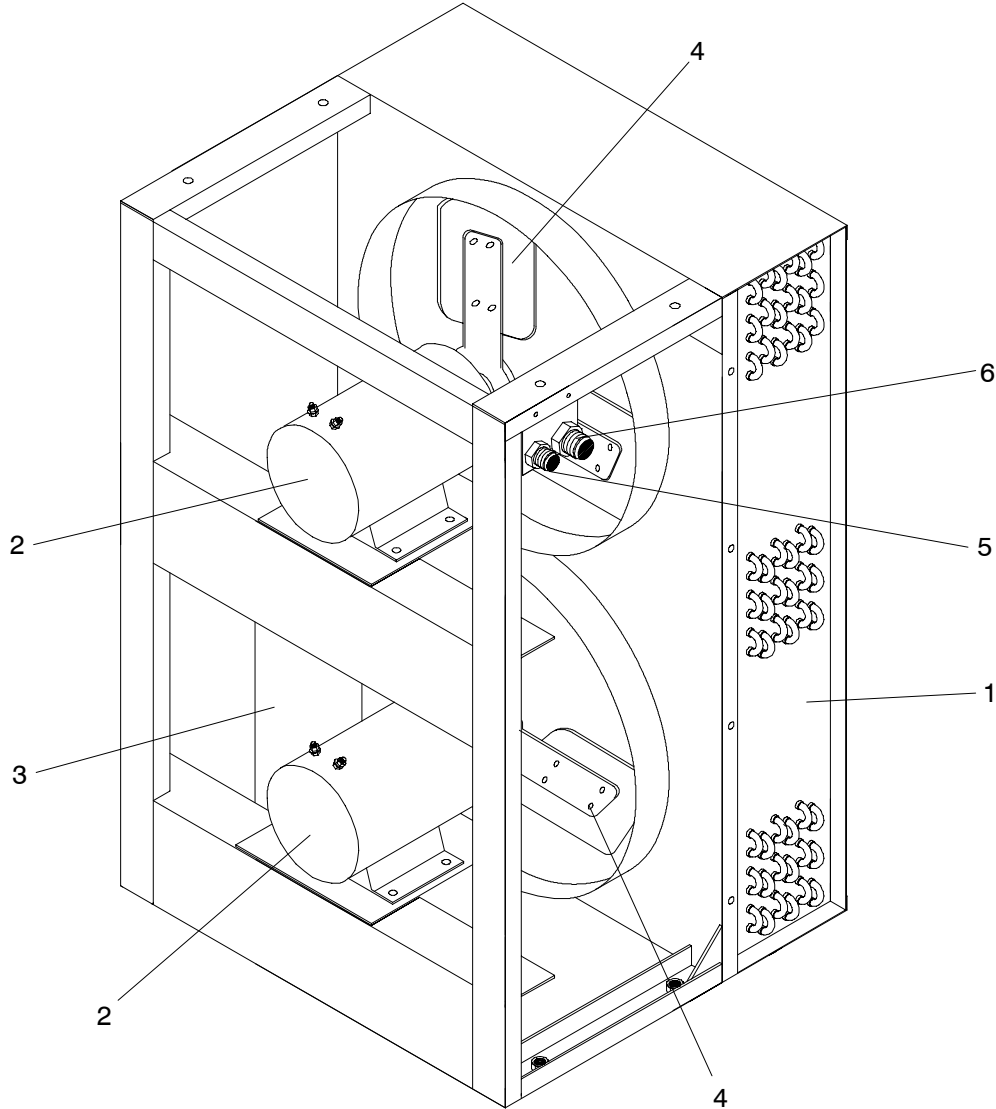
2.6.1 CONDENSER, CM-7, ROOF-TOP MOUNTED



Item	Part Number	Description	Qty
N/S	AC030-005	Mount, Motor, Wire Formed	3
1	AC030-006	Guard, Fan, Wire Formed	3
2	AC031-005	Cover, High Impact, Molded, (White)	1
3	AC031-016	Foot, Mounting	4
4	AC031-019	Coil Assembly, With Pressure Switches	1
5	AC031-020	Assembly, Hose, Inlet, (CM-7, CM-11)	1
6	AC031-021	Assembly, Hose, Outlet, (CM-7, CM-11)	1
7	AC031-029	Assembly, Feed-Thru Plate, (CM-7, CM-11)	1
8	AC201-400	Switch, Pressure, High	1
9	AC201-404	Switch, Pressure, Low	1
N/S	AC201-905	Harness, Condenser Motor	3
10	AC401-100	Blade, Fan	3
11	AC501-102A	Motor, Condenser, 12 VDC	3
	AC501-103A	Motor, Condenser, 24 VDC	3
12	AC701-105	Nut, Nylon	10
13	AC801-602	Wellnut	4
14	76-62028-00	Winterization Kit, Consisting Of:	1
15	AC701-106 Tinnerman Clip, 1/4-20, (Clips On To Fan Guards)	9
16	AC030-075 Cover, Fan, ABS	3
17	AC801-305 Washer, Nylon	9
18	AC801-307 Screw, Nylon, 1/4-20	9
19	68-62287-00 Coil Cover, Metal	1
20	AC801-412 Gasket, Trim Seal, Black/Black	12Ft
21	14-00288-00	Filter Drier/Sight Glass Assembly 1/2 Inch Male O-Ring	1
22	AC801-202	O-Ring, 1/2 Inch HNBR	2
23	AC031-018	Assembly, Frame, Condenser, CM-7	1

SECTION 2.7 CM-8 CONDENSER

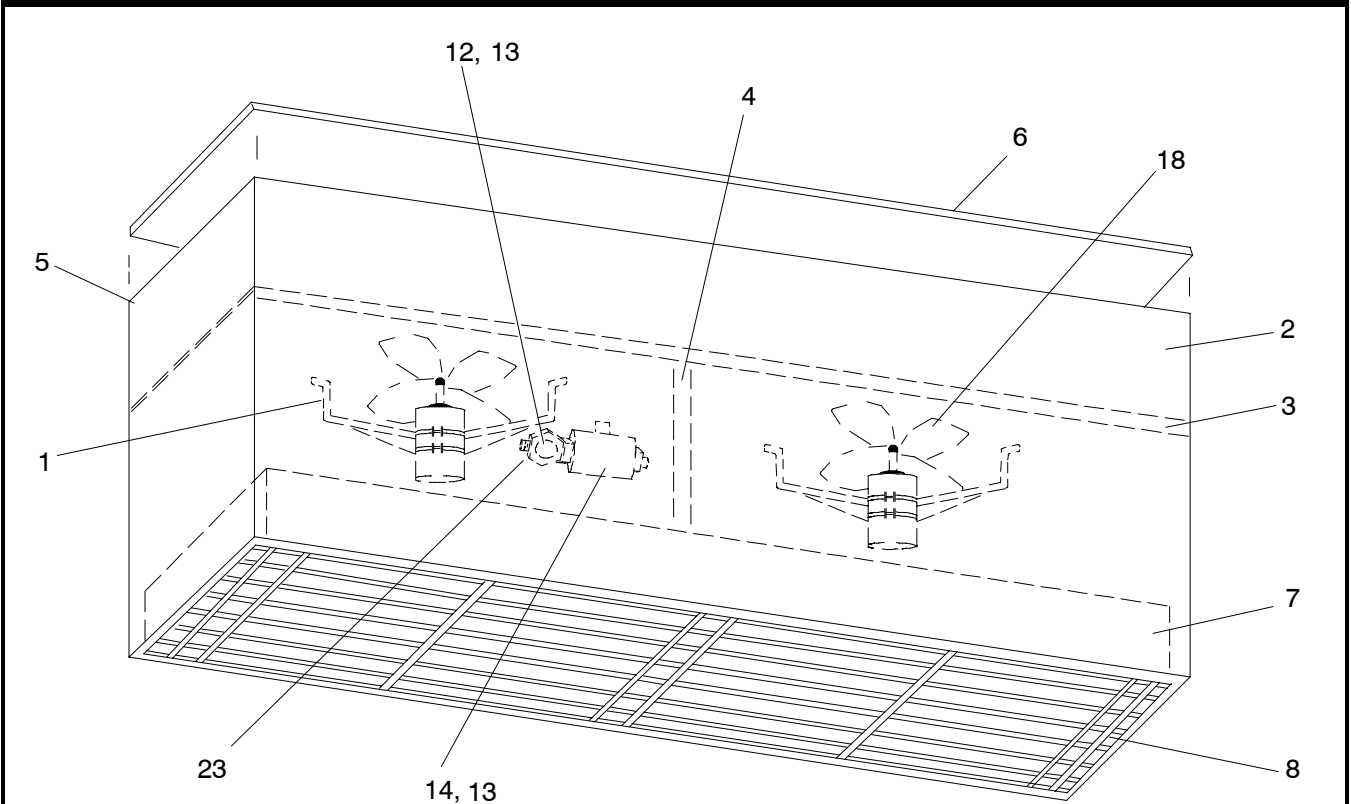
2.7.1 CONDENSER, CM-8



Item	Part Number	Description	Qty
1	AC030-268	Coil Assembly, Condenser	1
2	AC501-123	Motor, Condenser, 12 VDC	2
3	AC101-310	Receiver	1
4	AC401-112	Blade, Fan	2
5	AC301-682	Fitting, 37°, O-Ring, (1-1/16-12 Thread)	1
6	DE07DA608	Fitting, 37°, O-Ring, (1-5/16-12 Thread)	1
7	AC701-248	Clamp, Stauff, 5/8 Inch	3
8	AC701-244	Clamp, Stauff, 7/8 Inch	1

SECTION 2.8 CM-9 CONDENSER

2.8.1 CONDENSER, CM-9

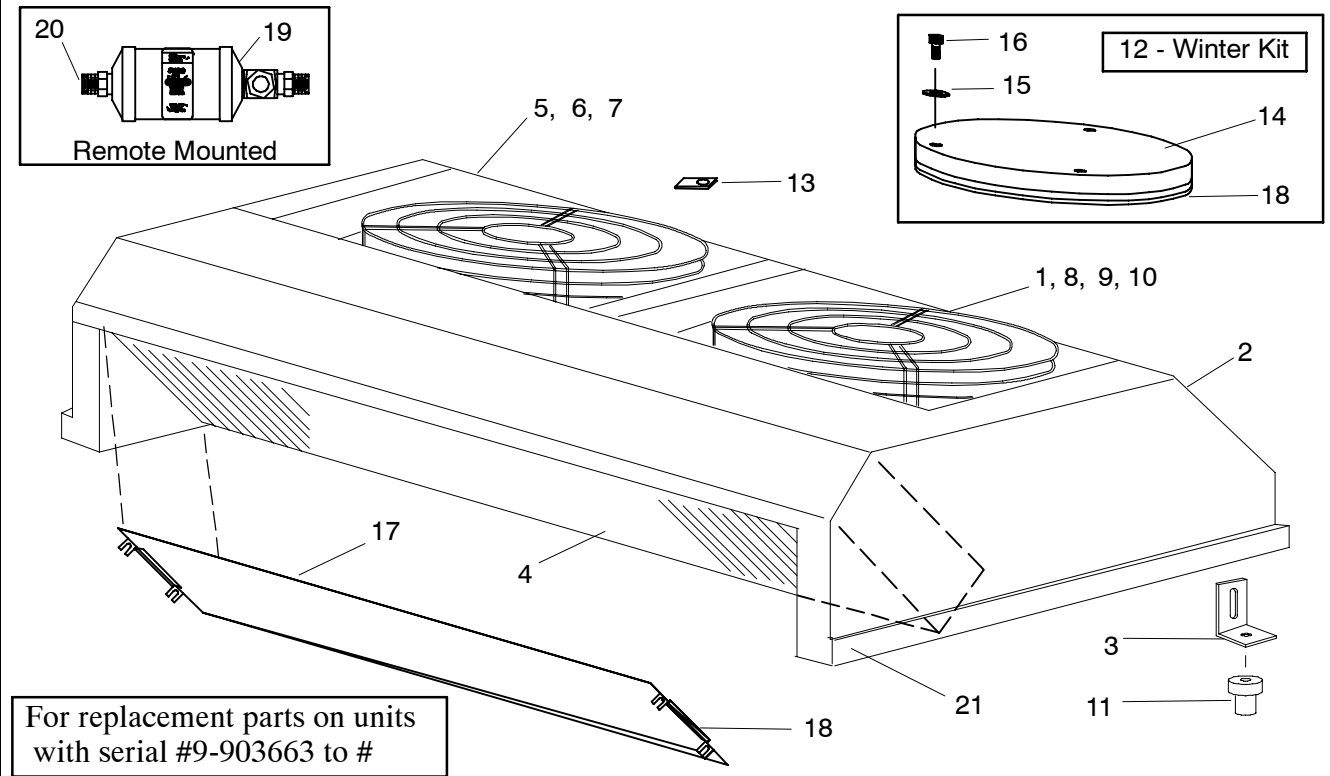


For replacement parts on units with serial #9-900132 to #

Item	Part Number	Description	Qty
1	AC030-005	Mount, Motor, Wire Formed	2
2	AC030-083	Panel, Front	1
3	AC030-087	Panel, Venturi	1
4	AC030-088	Support, Center	1
5	AC030-092	Weldment, Wrapper, CM-9	1
6	AC030-095	Cover, Winterization	1
7	AC030-103	Coil Assembly, With Pressure switches	1
8	AC030-117	Grill, Air Outlet	2
9	AC030-127	Assembly, Hose	1
10	AC030-128	Assembly, Hose, Liquid	1
11	AC030-129	Assembly, Hose, Discharge	1
12	AC101-200	Sightglass	1
13	AC801-202	O-Ring, 1/2 Inch	2
14	AC101-303	Filter Drier	1
15	AC201-400	Switch, Pressure, High	1
16	AC201-404	Switch, Pressure, Low	1
17	AC201-905	Harness, Condenser Motor	2
18	AC401-100	Blade, Fan	2
19	AC501-102A	Motor, Condenser, 12 VDC	2
20	AC701-231	Clamp, Conduit, 2 inch, (filter Drier)	2
21	AC801-300	Bushing, Universal, 1 Inch	1
22	AC801-306	Grommet, Quick-Loc	2
23	AC801-513	Plug, Black, 1-1/4 Inch	1

SECTION 2.9 CM-11 CONDENSER

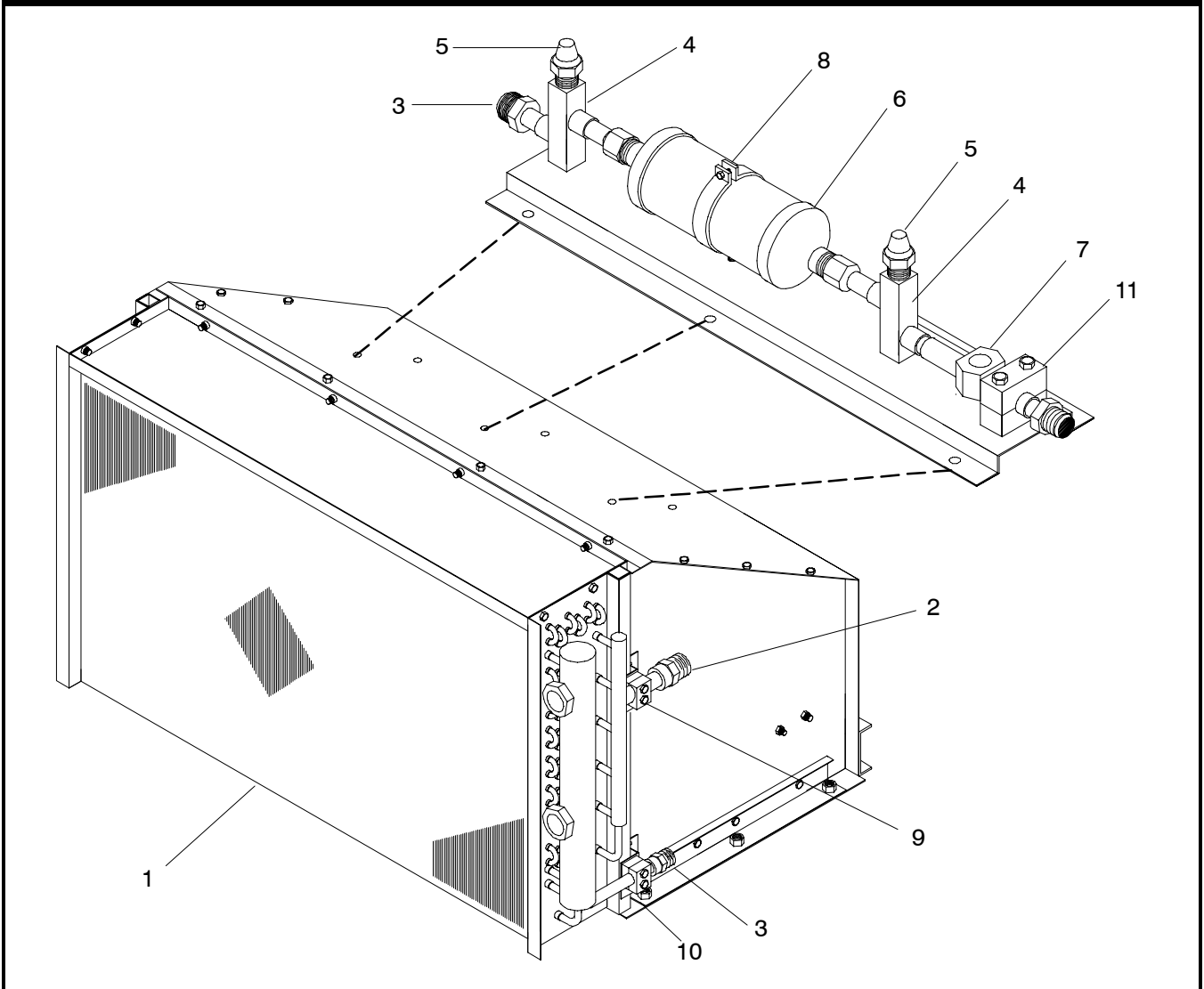
2.9.1 CONDENSER, CM-11, ROOF-TOP MOUNTED



Item	Part Number	Description	Qty
N/S	AC030-005	Mount, Motor, Wire Formed	2
1	AC030-006	Guard, Fan, Wire Formed	2
2	AC031-046	Cover, High Impact, Molded, (White)	1
3	AC031-016	Foot, Mounting	4
4	AC031-048	Coil Assembly, With Pressure Switches	1
5	AC031-020	Assembly, Hose, Inlet, (CM-7, CM-11)	1
6	AC031-021	Assembly, Hose, Outlet, (CM-7, CM-11)	1
7	AC031-029	Assembly, Feed-Thru Plate, (CM-7, CM-11)	1
N/S	AC201-400	Switch, Pressure, High	1
N/S	AC201-404	Switch, Pressure, Low	1
N/S	AC201-905	Harness, Condenser Motor	2
8	AC401-100	Blade, Fan	2
9	AC501-102A	Motor, Condenser, 12 VDC	2
	AC501-103A	Motor, Condenser, 24 VDC	2
10	AC701-105	Nut, Nylon	10
11	AC801-602	Wellnut	4
12	76-62029-00	Winterization Kit, (Optional), Consisting Of:	1
13	AC701-106 Tinnerman Clip, 1/4-20	6
14	AC030-075 Cover, Fan, ABS	2
15	AC801-305 Washer, Nylon	6
16	AC801-307 Screw, Nylon, 1/4-20	6
17	68-62288-00 Coil Cover, Metal	1
18	AC801-412 Gasket, trim Seal, Black/Black	8.5 Ft
19	14-00288-00	Filter Drier/Sight Glass, 1/2 Inch Male O-Ring	1
20	AC801-202	O-Ring, 1/2 Inch HNBR	2
21	AC031-043	Assembly, Frame, Condenser, CM-11	1

SECTION 2.10 CM-13 CONDENSER

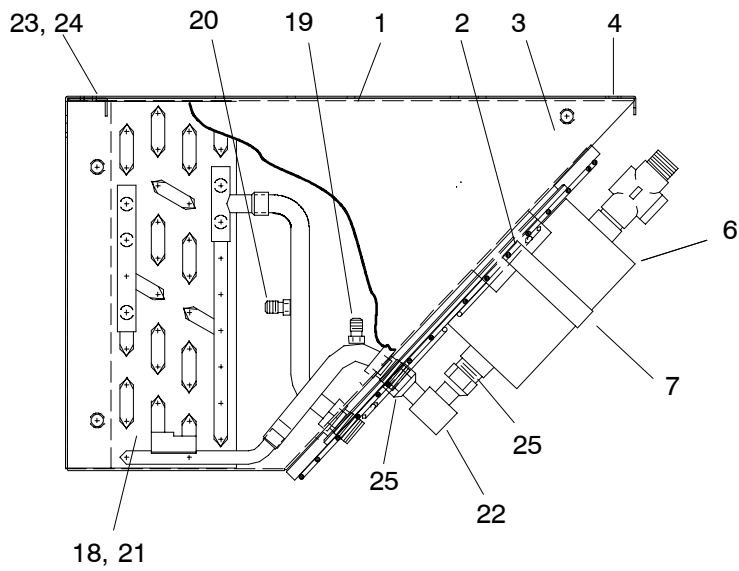
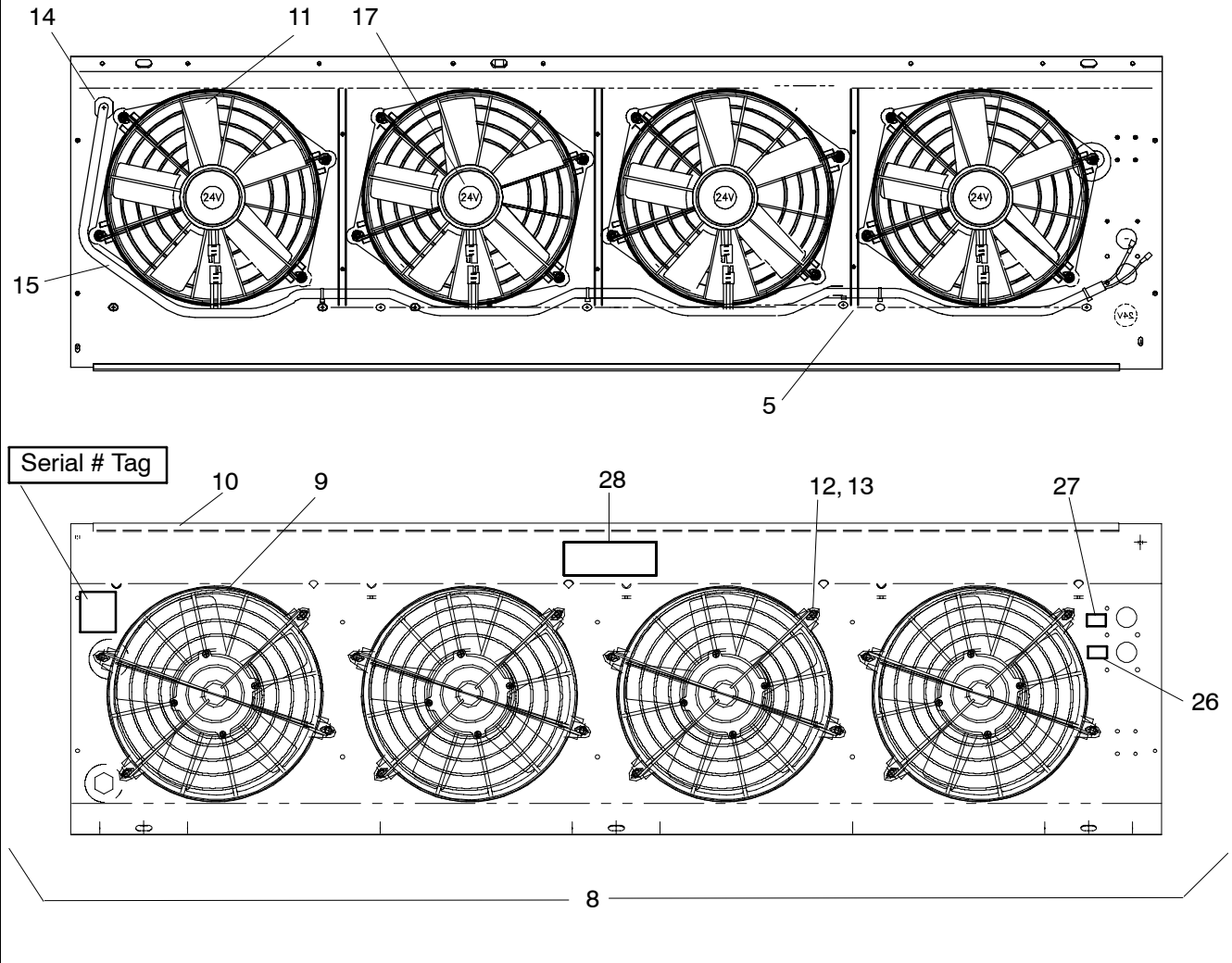
2.10.1 CONDENSER, CM-13



Item	Part Number	Description	Qty
1	AC030-269	Coil Assembly, Condenser	1
N/S	AC501-123	Motor, Condenser, 12 VDC	2
2	DE07DA608	Fitting, 37°, O-Ring, 1-5/16-12 Thread	1
N/S	AC401-112	Blade, Fan	2
3	AC301-682	Fitting, 37°, O-Ring, (1-1/16-12 Thread)	3
4	40-00501-06	Valve, King, Shutoff	2
5	40-00501-50	Cap, King Valve	2
6	14-01105-00	Filter Drier	1
7	KM43AG301	Sightglass	1
8	AC701-243	Clamp, Filter Drier	1
9	AC701-244	Clamp, Stauff, 7/8 Inch	1
10	AC701-248	Clamp, Stauff, 5/8 Inch	1
11	AC701-242	Clamp, Stauff, 3/4 Inch	1

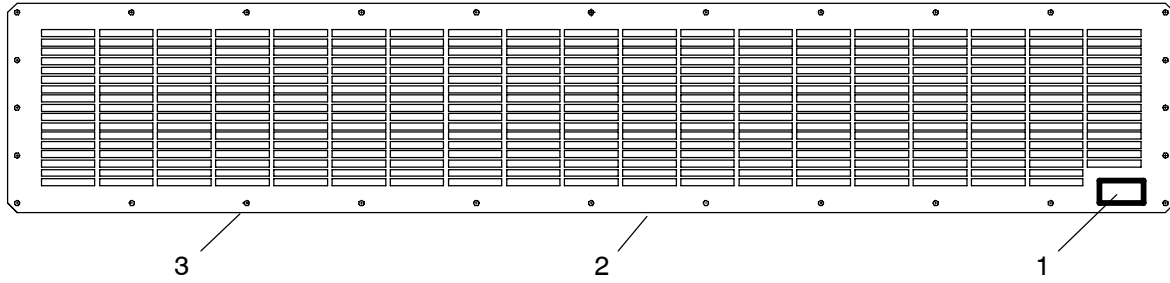
SECTION 2.11 CM-14 CONDENSER SERIES

2.11.1 CONDENSER, CM-14 STANDARD MODEL (77-62083-02, -04, -08 & -09)



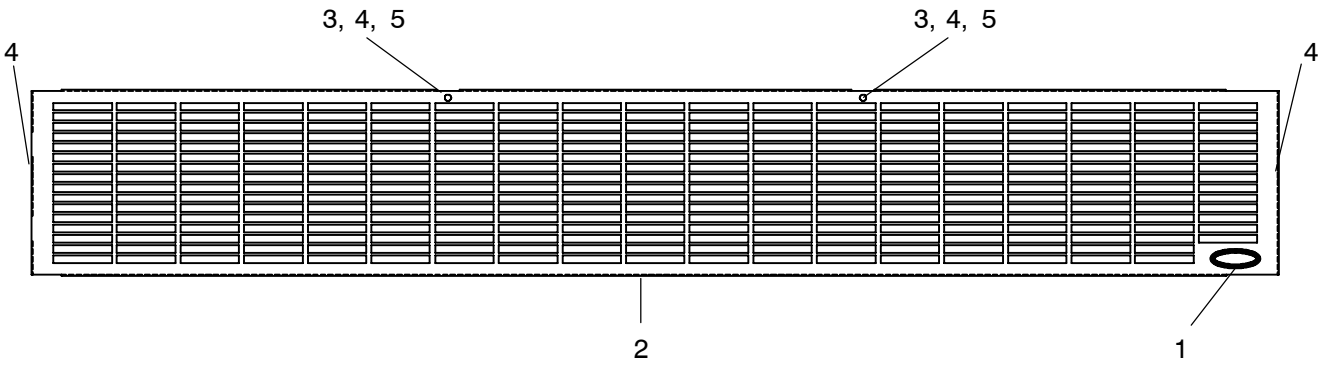
2.11.1 CONDENSER, CM-14 STANDARD MODEL (77-62083-02, -04, -08 & -09) - Continued :			
Item	Part Number	Description	Qty
1	86-62265-00	Panel Assembly, Top, 4 Fan, (Painted)	1
2	AC033-115P	Channel, Filter Drier Mounting, (Painted)	1
3	AC033-203P	Panel, Left Side, (Painted)	1
4	AC033-204P	Panel, Right Side, (Painted)	1
5	AC033-211P	Plate, Baffle, (Painted)	3
6	14-00288-00	Filter Drier/Sight Glass Assembly	1
7	AC701-269	Clamp, 2-1/16 Inch to 3 Inch	1
8	79-62063-01	Venturi Assembly, CM-14 Condenser, (Standard 12 VDC) - Includes:	1
9	AC030-234	...Guard, Fan, Condenser	4
10	68-62970-00	...Panel, Venturi, 4 Fan, (Painted)	1
11	AC401-110	...Fan & Motor Assembly, 12 VDC - Includes:	2
	54-50080-00Motor, Fan, 12 VDC	3
	44-50024-00Clip, Fan Blade	3
12	34-62011-00	...Bolt, Hex Head, W/Lock Washer, 1/4-20 X 1 Inch, SST	16
13	34-00662-11	...Washer, Flat, 1/4 Inch, SST	8
14	58-62019-00	...Bushing, Strain Relief	1
15	22-62148-00	...Harness Assembly, (12 VDC)	1
8	79-62063-02	Venturi Assembly, CM-14 Condenser, (Standard 24 VDC) - Includes:	1
9	AC030-234Guard, Fan, Condenser	4
10	68-62970-00Panel, Venturi, 4 Fan, (Painted)	1
16	54-00545-00Fan & Motor Assembly, 12 VDC	4
12	34-62011-00Bolt, Hex Head, W/Lock Washer, 1/4-20 X 1 Inch, SST	16
13	34-00662-11Washer, Flat, 1/4 Inch, SST	8
14	58-62019-00Bushing, Strain Relief	1
15	22-62163-00Harness Assembly, Staged Fans, CM-14, Standard, (24 VDC)	1
17	62-62008-00Label, 24 V, 1 Inch Dia. (Green)	1
18	81-62105-00	Assembly, Coil, CM-14 With Pressure Switch - Includes:	1
19	AC201-414Switch, Pressure, High	1
20	AC201-412Switch, Pressure, Low	1
21	08-62036-00Assembly, Coil, CM-14	1
22	40-62036-00	Fitting, 90 Degree, 1/2 Inch F.O.R. X 1/2 Inch F.O.R.	1
23	AC701-400	Pop Rivet, 3/16 Inch Steel, (SD64BS)	10
24	AC701-401	Pop Rivet, 3/16 Inch Steel, (SD62BS)	48
25	AC801-202	O-Ring, 1/2 Inch, HNBR	4
26	62-62042-15	Label, Liquid Out	1
27	62-62042-14	Label, Hot Gas In	1
28	62-62029-00	Label, Warning Fan Blades	1

2.11.2 CONDENSER, CM-14, GRILL, STANDARD MODEL, (77-62083-02 & -04)



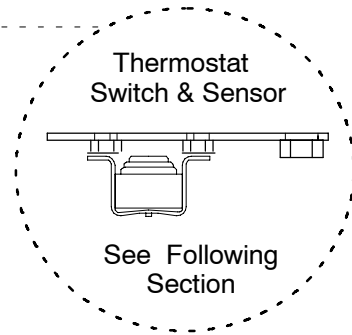
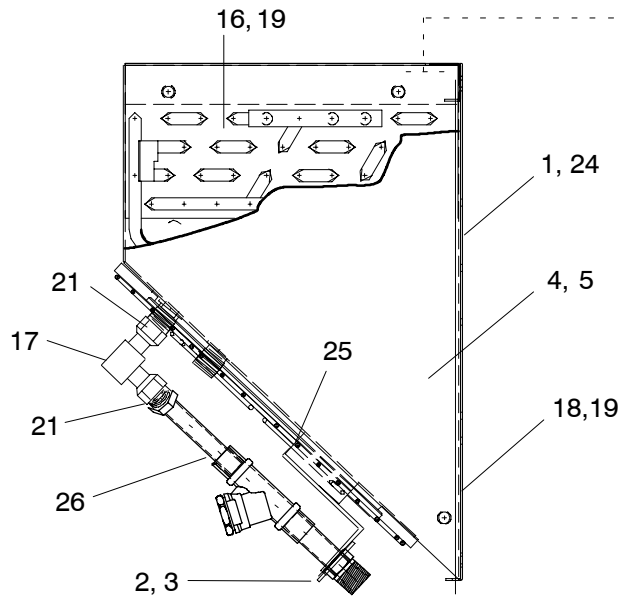
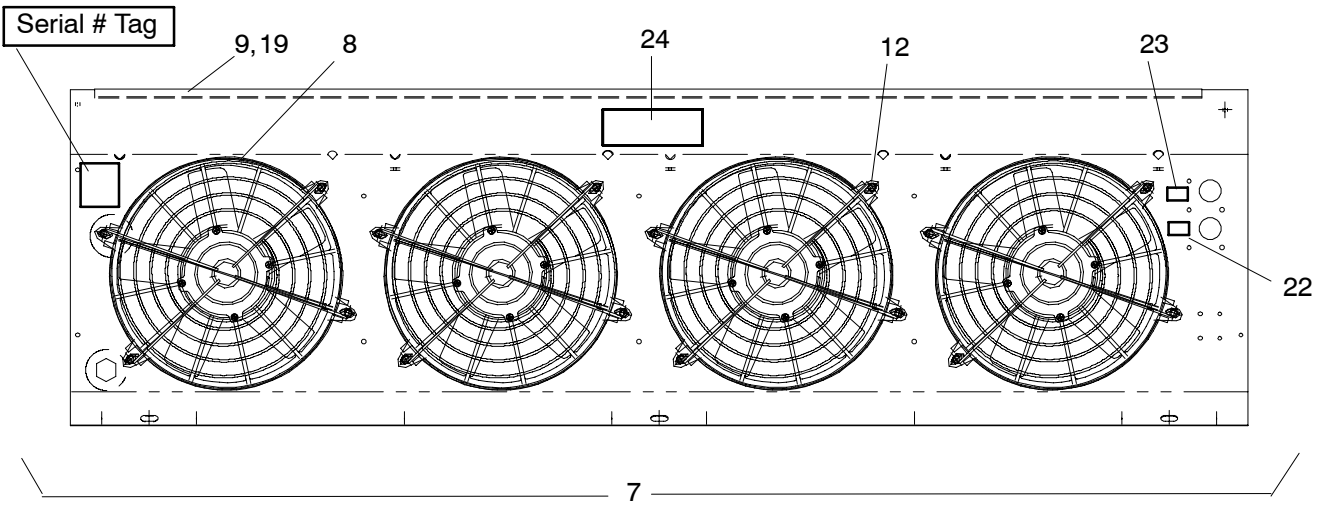
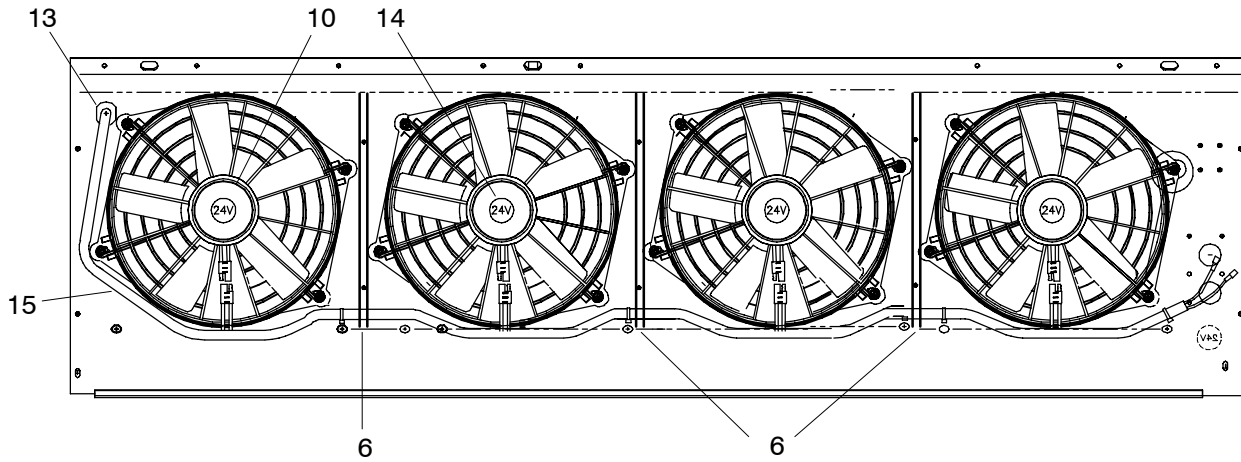
1	AC022-289	Emblem, Carrier	1
2	68-63265-00	Grill, Skirt Mounted, CM-14	1
3	34-50058-00	Screw, Pan Head Phillips, #10 X 3/4 Inch Long, TEK SST.	28

2.11.2 CONDENSER, CM-14, GRILL, CHASSIS MOUNTED - (77-62083-08 & -09)



1	AC022-289	Emblem, Carrier	1
2	68-63566-00	Grill, Condenser, Chassis Mounted, Painted	1
3	AC033-144	Plate, Mounting, Painted	2
4	34-62011-00	Bolt, Hex Head, Sems, W/Lock Washer, 1/2-20 X 1 Inch, SST	6
5	AC701-401	Pop Rivet, 3/16 Inch Steel	2

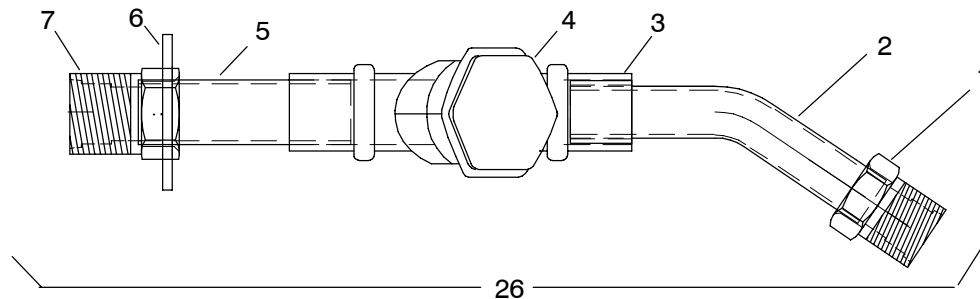
2.11.3 CONDENSER, CM-14 C4RE MODEL (77-62083-00)



2.11.3 CONDENSER, CM-14 C4RE MODEL (77-62083-00) Continued :

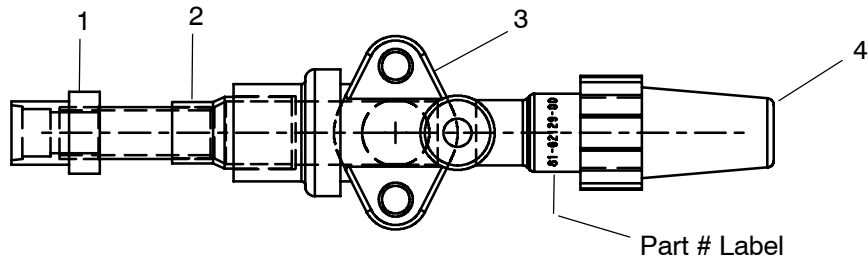
Item	Part Number	Description	Qty
1	86-62265-00	Panel Assembly, Top, 4 Fan, (Painted)	1
2	68-63107-00	Bracket, Check Valve	1
3	34-00733-00	Nut, Hex, Lock, Keps, #10-32, Zinc Plated	2
4	AC033-203P	Panel, Left Side, (Painted)	1
5	AC033-204P	Panel, Right Side, (Painted)	1
6	AC033-211P	Plate, Baffle, (Painted)	3
7	79-62063-00	Venturi Assembly, CM-14 Condenser, C4RE 24V - Includes:	1
8	AC030-234Guard, Fan, Condenser	4
9	68-62970-00Panel, Venturi, 4 Fan, (Painted)	1
10	54-00545-00Fan & Motor Assembly, 24 VDC	4
11	34-62011-00Bolt, Hex Head, W/Lock Washer, 1/4-20 X 1 Inch, SST	16
12	34-00662-11Washer, Flat, 1/4 Inch, SST	8
13	58-62019-00Bushing, Strain Relief	1
14	62-62008-00Label, 24V, 1 Inch Diameter, (Green & Black)	4
15	22-62163-00Harness Assembly, Staged Fans, CM-14, C4RE	1
16	08-62036-00	Assembly, Coil, CM-14	1
17	40-62036-00	Fitting, 90 Degree, 1/2 Inch F.O.R. X 1/2 Inch F.O.R.	1
18	AC701-400	Pop Rivet, 3/16 Inch Steel, (SD64BS)	10
19	AC701-401	Pop Rivet, 3/16 Inch Steel, (SD62BS)	48
20	AC801-202	O-Ring, 1/2 Inch, HNBR	2
21	62-62042-15	Label, Liquid Out	1
22	62-62042-14	Label, Hot Gas In	1
23	62-62029-00	Label, Warning Fan Blades	1
24	AC022-289	Emblem, Carrier	1
25	34-62050-04	Bolt, Pan Head, Phillips/Slotted, 10/32 X 1/2 Inch Long	2

2.11.3 CONDENSER, CM-14 C4RE, CHECK VALVE & TUBE ASSEMBLY



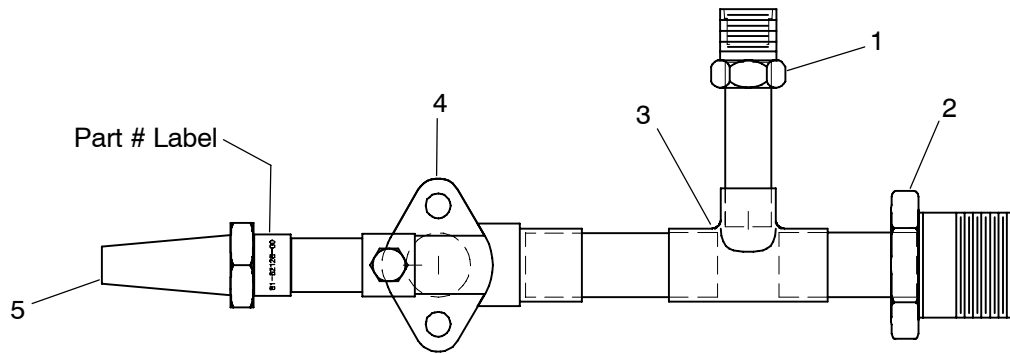
26	81-62122-00	Check Valve & Tube Assembly - Includes:	1
1	40-62032-02Nut, Swivel, #8 MIO X 1/2 ODF.	1
2	56-62250-00Tube, Discharge, Bent, Copper, 1/2 Inch O.D.	1
3	40-00201-04Bushing, Flush, 5/8 ODM X 1/2 ODF	1
4	14-00029-04Valve, Check, 5/8 ODF	1
5	56-00143-78Tube, Straight, Copper, 5/8 O.D. X 2.06 Inches Long	1
6	68-62492-02Plate, Swivel Nut, Brass	1
7	40-62032-01Nut, Swivel Fitting, #10 MIO X 5/8 ODF	1

2.11.3 CONDENSER, CM-14 C4RE, DISCHARGE VALVE ASSEMBLY (BB)



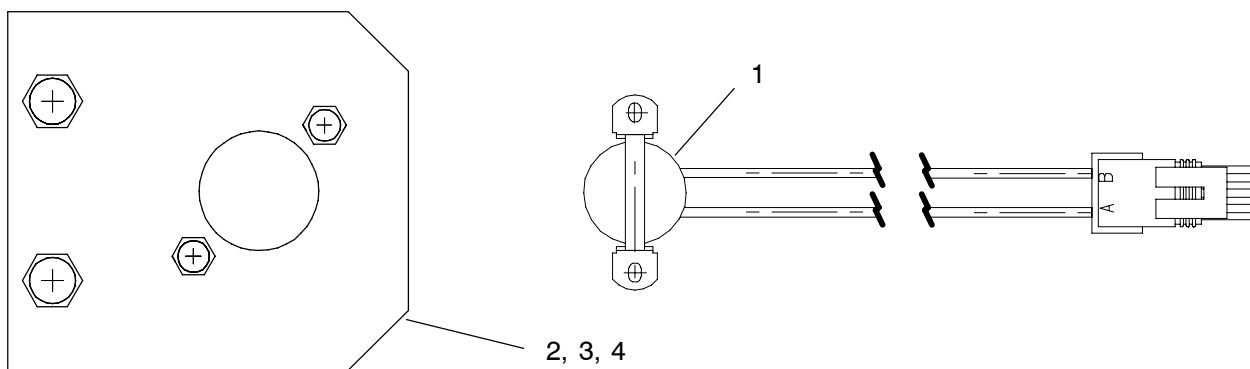
-	81-62129-00	Discharge Valve Assembly - Includes:	1
1	40-62032-01Nut, Swivel Fitting, #10 MIO X 5/8 ODF	1
2	40-00490-12Reducer, Copper	1
3	14-01042-08Valve, Compressor Shut-Off, (For 7/8 Tubing)	1
4	17-10812-00Cap, Valve, Plastic	1

2.11.3 CONDENSER, CM-14 C4RE, SUCTION VALVE ASSEMBLY (BB)



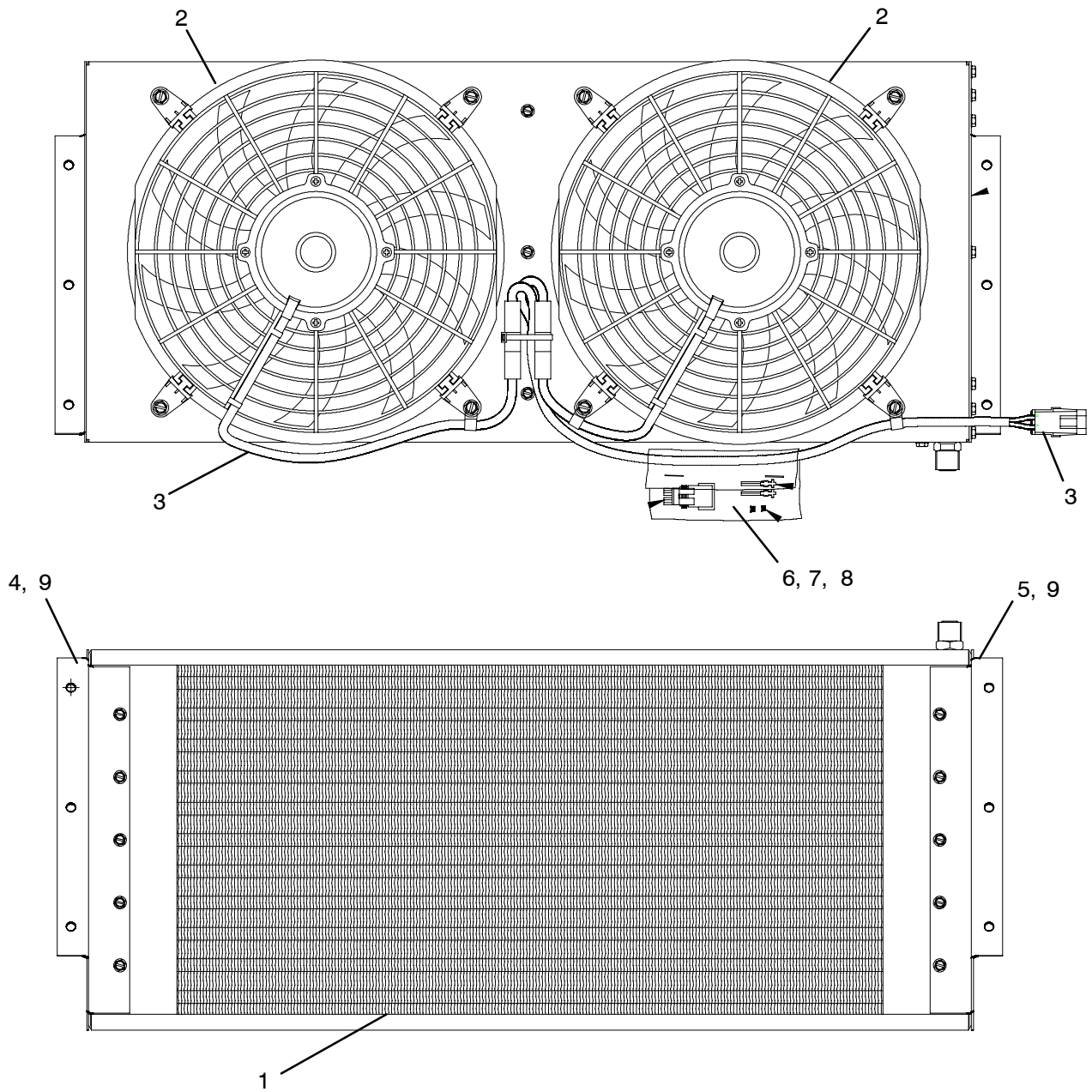
-	81-62128-00	Suction Valve Assembly - Includes:	1
1	40-62032-01Nut, Swivel Fitting, #10 MIO X 5/8 ODF	1
2	40-00491-18Fitting, ORS, Brass, 1-11/16-12 Thread (For 7/8 Tubing)	1
3	40-00169-13Tee, Reducing, Copper (7/8 X 7/8 X 5/8)	1
4	EN07AA284Valve, Compressor Shut-Off (For 7/8 Tubing)	1
5	17-10812-00Cap, Valve, Plastic	1

2.11.3 CONDENSER, CM-14 C4RE LOW AMBIENT THERMOSTAT SWITCH & BRACKET



1	10-00317-01	Switch, Thermostat, Low Ambient (C4RE Only)	1
2	68-63104-00	Bracket, LATH Sensor, (C4RE Only)	1
3	66U1-5371	Bolt, Hex Head, Slotted, #8/32 X 1/2 Inch Long - SST	2
4	34-62011-00	Bolt, Hex Head, SEMS, W/Lock Washer, 1/4-20 X 1 Inch, SST	2

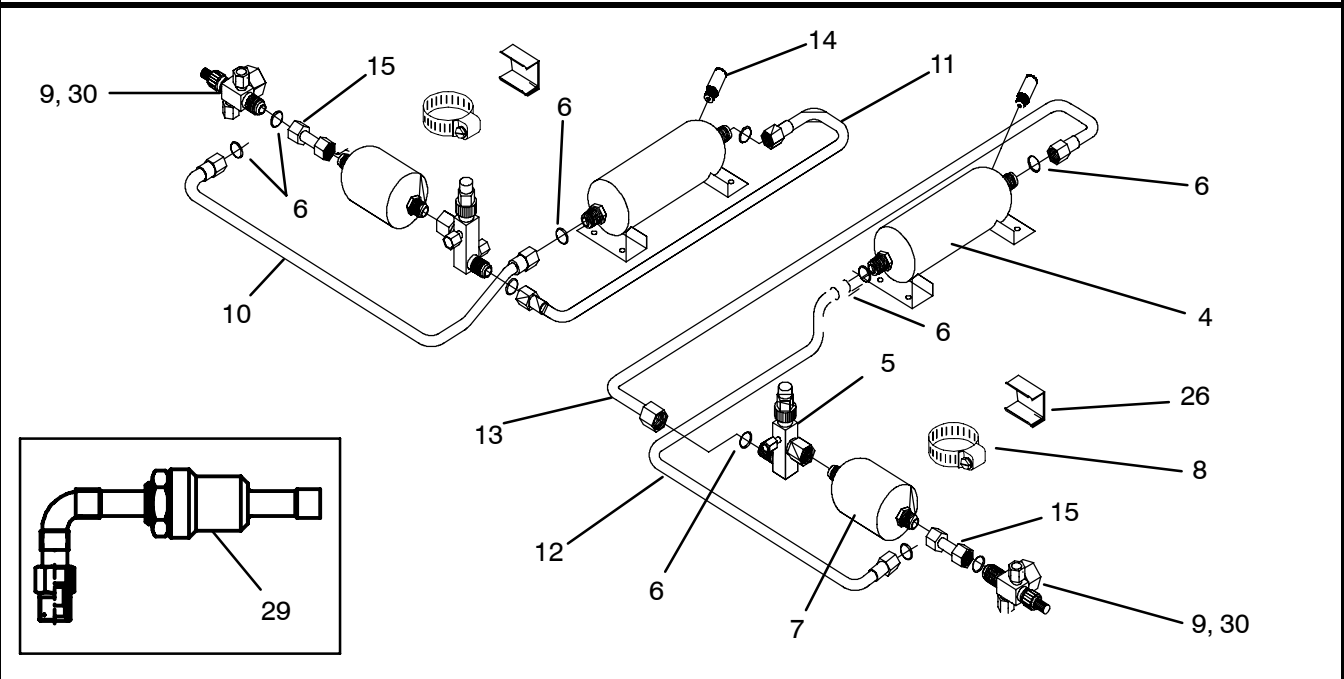
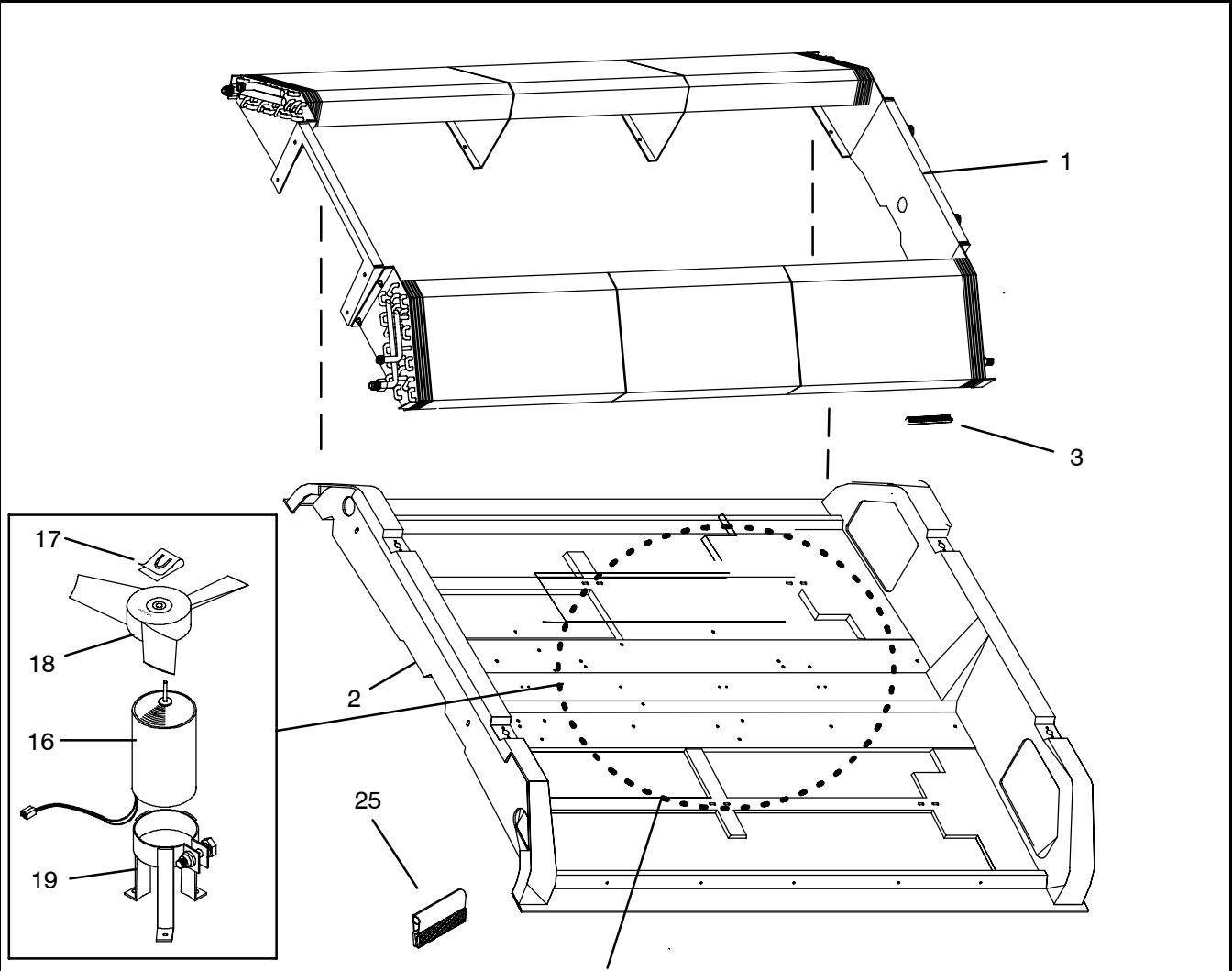
2.11.4 CONDENSER, CM-15 (77-62175-00)



1	08-50018-00	Coil Assembly, Two Fan Condenser	1
2	54-50108-00	Fan & Motor Assembly, Condenser, 12 VDC	2
3	22-50343-00	Harness, Two Fan Condenser	1
4	68-50088-00	Bracket, Condenser, RS	1
5	68-50089-00	Bracket, Condenser, LS	1
6	22-01585-02	Connector, Male, 2 Pin, Natural	1
7	22-50078-58H	Terminal, Female (12 AWG)	2
8	22-02394-01	Seal, Cable, Blue	2
9	86-62475-00	Bracket, Mounting, Condenser	2

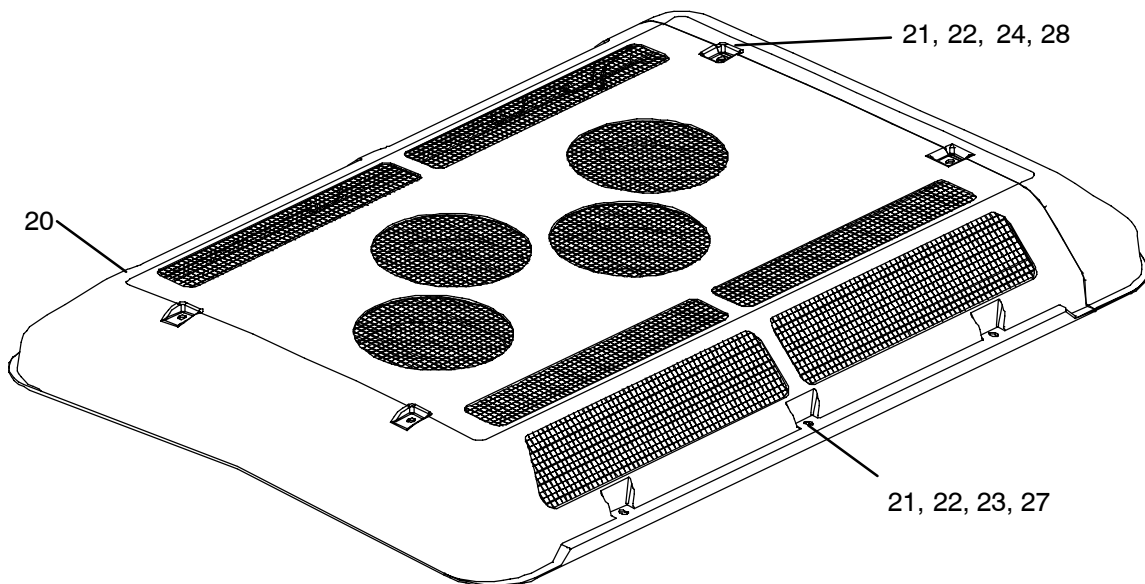
SECTION 2.12 CONDENSER, K-310

2.12.1 CONDENSER, K-310, DUAL LOOP

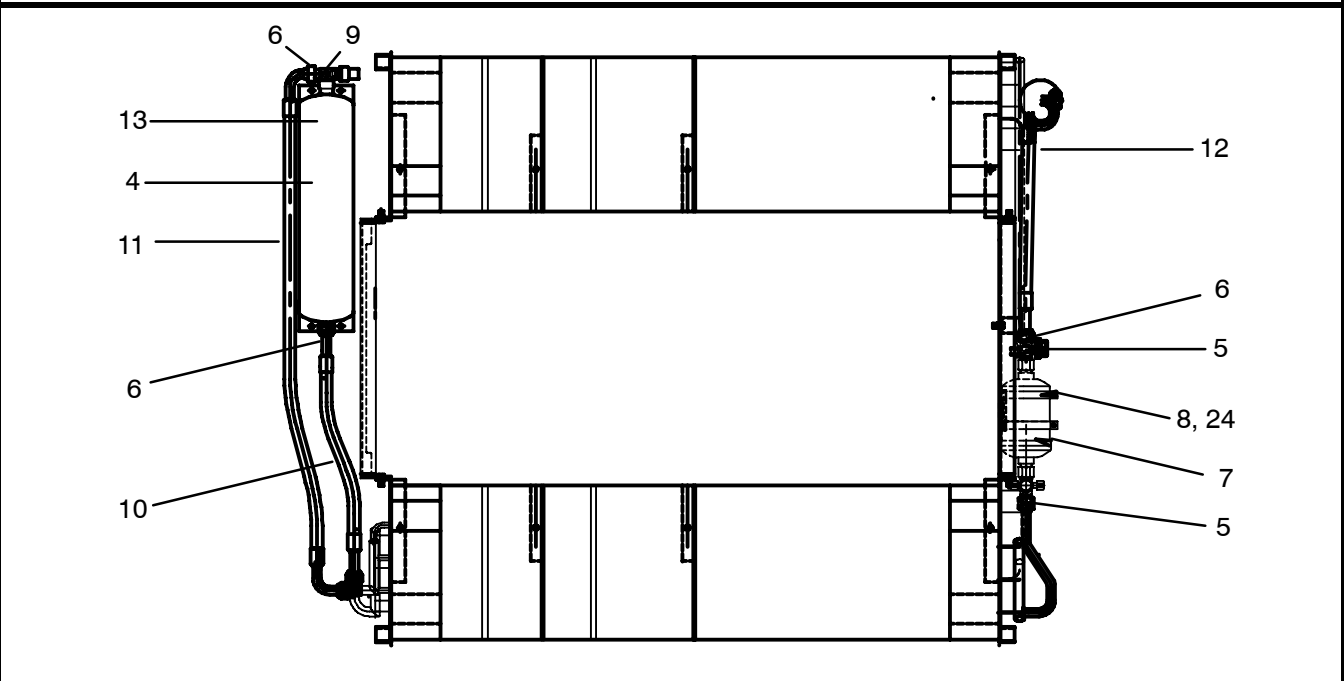
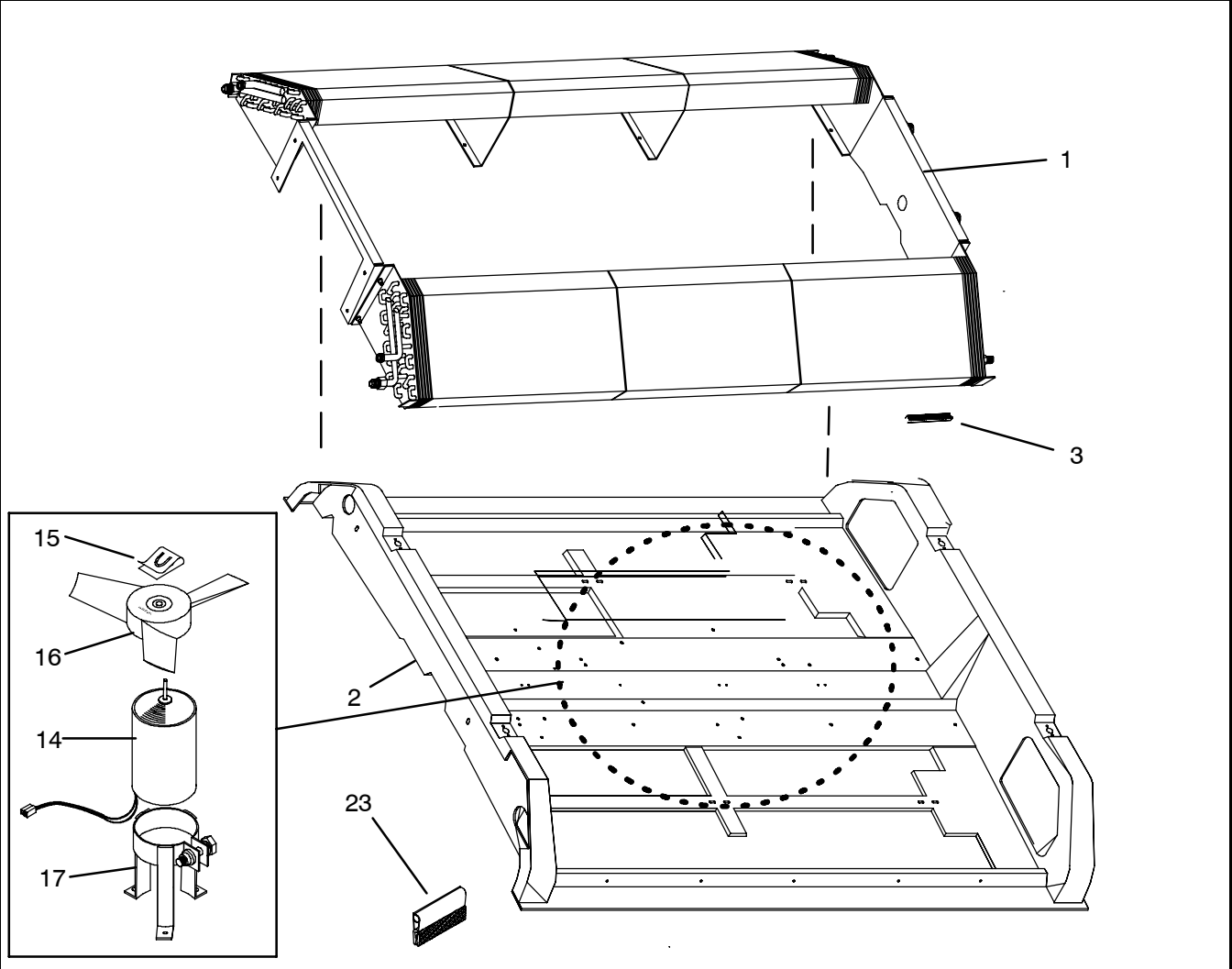


2.12.1 CONDENSER, K-310, DUAL LOOP - Continued:

Item	Part Number	Description	Qty
1	24-02-11-153	Condenser Coil Assembly, "O"-Ring Fittings - (Includes Both Coils)	1
2	75-47-05-403	Housing, Condenser, (12 & 24 Volt)	1
3	21-10-01-001	Foam Rubber Tape 15mm X 30mm	3 M
4	10-63-01-013	Receiver Tank	2
5	22-05-15-100	Valve, Shut-Off	2
6	32-23-26-236	Gasket, 7/8 inch (Flare Washer)	10
7	24-06-01-026	Filter Drier	2
8	32-15-11-005	Clamp, Filter Drier	2
9	22-05-15-305	Valve, Shut-Off	2
10	10-60-03-026	Tube Assembly, Liquid Line, Receiver Inlet	1
11	10-60-03-027	Tube Assembly, Liquid Line, Receiver Outlet	1
12	10-60-03-028	Tube Assembly, Liquid Line, Receiver Inlet	1
13	10-60-03-029	Tube Assembly, Liquid Line, Receiver Outlet	1
14	24-04-02-005	Valve, Pressure Relief	2
15	10-60-71-003	Tube Assembly, Filter Drier Outlet	2
16	28-02-05-013	Motor, Fan, 12 VDC	4
	28-02-10-015	Motor, Fan, 24 VDC	4
17	32-13-05-001	Clip, Fan Blade	4
18	28-23-01-024	Fan Blade, (3 Blade)	4
19	86-62216-01	Bracket, Motor Support (4.25 Inches)	4
20	75-47-05-117	Cover Assembly, Condenser	1
21	32-10-10-500	Rivet	20
22	32-24-01-016	Washer, Retaining	10
23	32-24-01-039	Base, Lock, (Side)	6
24	32-24-01-034	Bolt, Locking, (End)	4
25	21-03-51-025	Gasket, Profiled Joint	3 M
26	15-07-12-002	Bracket, Filter Drier	2
27	32-24-01-013	Bolt, Locking, (Side)	6
28	32-24-01-010	Lock, Base, (End)	4
29	10-60-15-080	Check Valve Assembly (Discharge Line)	1
30	17-31205-00	Ring, Teflon (White)	2

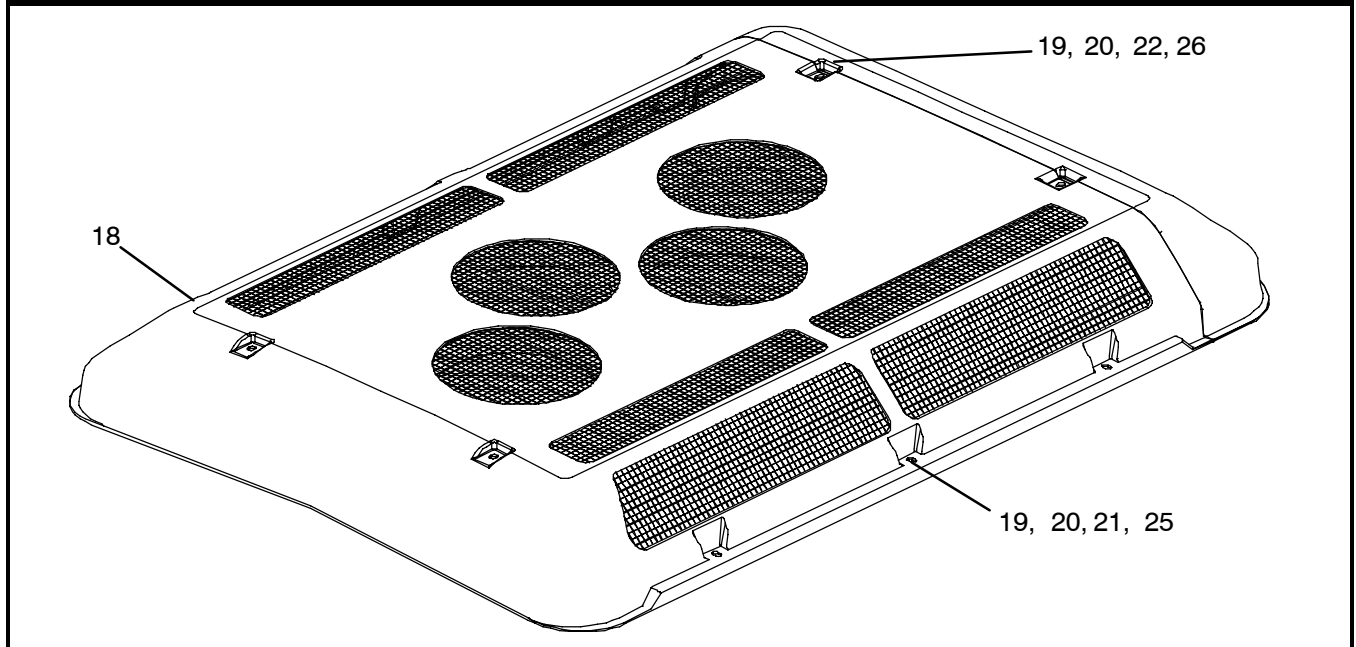


2.12.2 CONDENSER, K-310, SINGLE LOOP

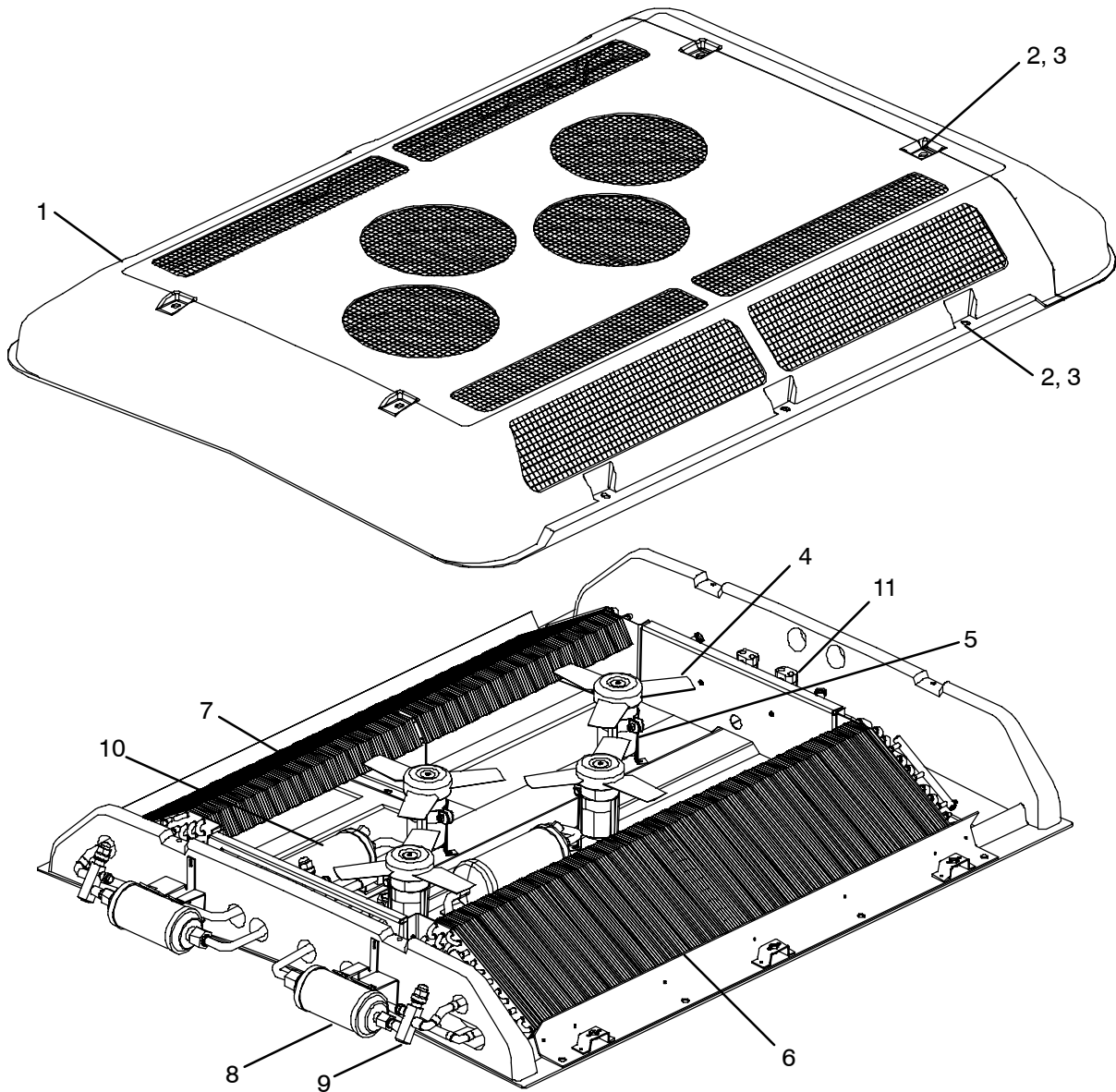


2.12.2 CONDENSER, K-310, SINGLE LOOP - Continued:

Item	Part Number	Description	Qty
1	24-02-11-201	Condenser Coil Assembly, With O-Ring Fittings (Both Coils)	1
2	75-47-05-115	Housing, Condenser, (12 & 24 Volt)	1
3	21-10-01-001	Foam Rubber Tape 15mm X 30mm	4 M
4	10-63-01-010	Receiver Tank	1
5	22-05-15-100	Valve, Shut-Off	2
6	32-23-26-236	Gasket, 7/8 inch (Flare Washer)	6
7	24-06-01-026	Filter Drier	1
8	32-15-11-005	Clamp, Filter Drier	1
9	22-05-15-305	Valve, Shut-Off	1
10	10-60-22-023	Tube Assembly, Liquid Line, Receiver Inlet	1
11	10-60-22-033	Tube Assembly, Liquid Line, Receiver Outlet	1
12	10-60-22-048	Tube Assembly, Liquid Line, Receiver Inlet	1
13	24-04-02-005	Valve, Pressure Relief	1
14	28-02-05-013	Motor, Fan, 12 VDC	4
	28-02-10-015-01	Motor, Fan, 24 VDC	4
15	32-13-05-001	Clip, Fan Blade	4
16	28-23-01-024	Fan Blade, (3 Blade)	4
17	86-62216-01	Bracket, Motor Support (4.25 Inches)	4
18	75-47-05-117	Cover Assembly, Condenser	1
19	32-10-10-500	Rivet	20
20	32-24-01-016	Washer, Retaining	10
21	32-24-01-039	Base, Lock, (Side)	6
22	32-24-01-034	Bolt, Locking, (End)	4
23	21-03-51-025	Gasket, Profiled Joint	3 M
24	15-07-12-001	Bracket, Filter Drier	1
25	32-24-01-013	Bolt, Locking, (Side)	6
26	32-24-01-010	Lock, Base, (End)	4
N/S	10-60-15-080	Check Valve Assembly, (Discharge Line) (See Page 147 Item 29)	1
27	17-31205-00	Ring, Teflon (White)	1



2.12.3 CONDENSER, 68KR4-100 SERIES, DUAL LOOP



Item	Part Number	Description	Qty
1	58-62016-00	Cover Assembly, Condenser	1
2	34-62015-00	Stud, Captive, 1/4 Turn, Camloc	10
3	34-62022-00	Washer, Retaining, Special	10
4	38-00567-00	Fan, Condenser	4
5	28-02-05-013	Motor, 12 VDC	4
	28-02-10-015	Motor, 24 VDC	4
6	08-62029-00	Coil, Condenser	1
7	08-62029-01	Coil, Condenser	1
8	14-00320-00	Filter Drier	2
9	40-00501-05	Valve, King	4
10	65-62002-00	Receiver Tank Assembly, 4 Inch O.D.	2
11	14-00026-04	Indicator, Liquid & Moisture, 5/8 ODF	2

SECTION 2.13 CONDENSER, 68KR4-101 SERIES

OPTION LEGEND

INTRODUCTION

The Carrier Transicold model 68KR4 series condensers are of lightweight frame construction, designed to be installed on the vehicle roof.

CONFIGURATION IDENTIFICATION

Unit identification information is provided on a plate located inside the condenser. The plate provides the unit model number, the unit serial number and the unit parts identification number (PID). The model number identifies the overall unit configuration while the PID provides information on specific optional equipment and differences in detailed parts.

This section provides a description of and a tabular listing of unit model numbers and PID numbers to assist the reader in identifying the equipment supplied and any required service parts.

OPTION DESCRIPTION

Various options may be factory or field equipped to the base unit. These options are listed in the tables and described in the following subparagraphs.

Skins Kit

The top cover is designed to allow for different mounting arrangements on high roof radius or low roof radius configurations.

Refrigeration Kit

The unit may be fitted with a single or dual loop refrigeration system

Electrical Kit

The unit may be fitted with 12 or 24 volt fan motors.

Frame Kit

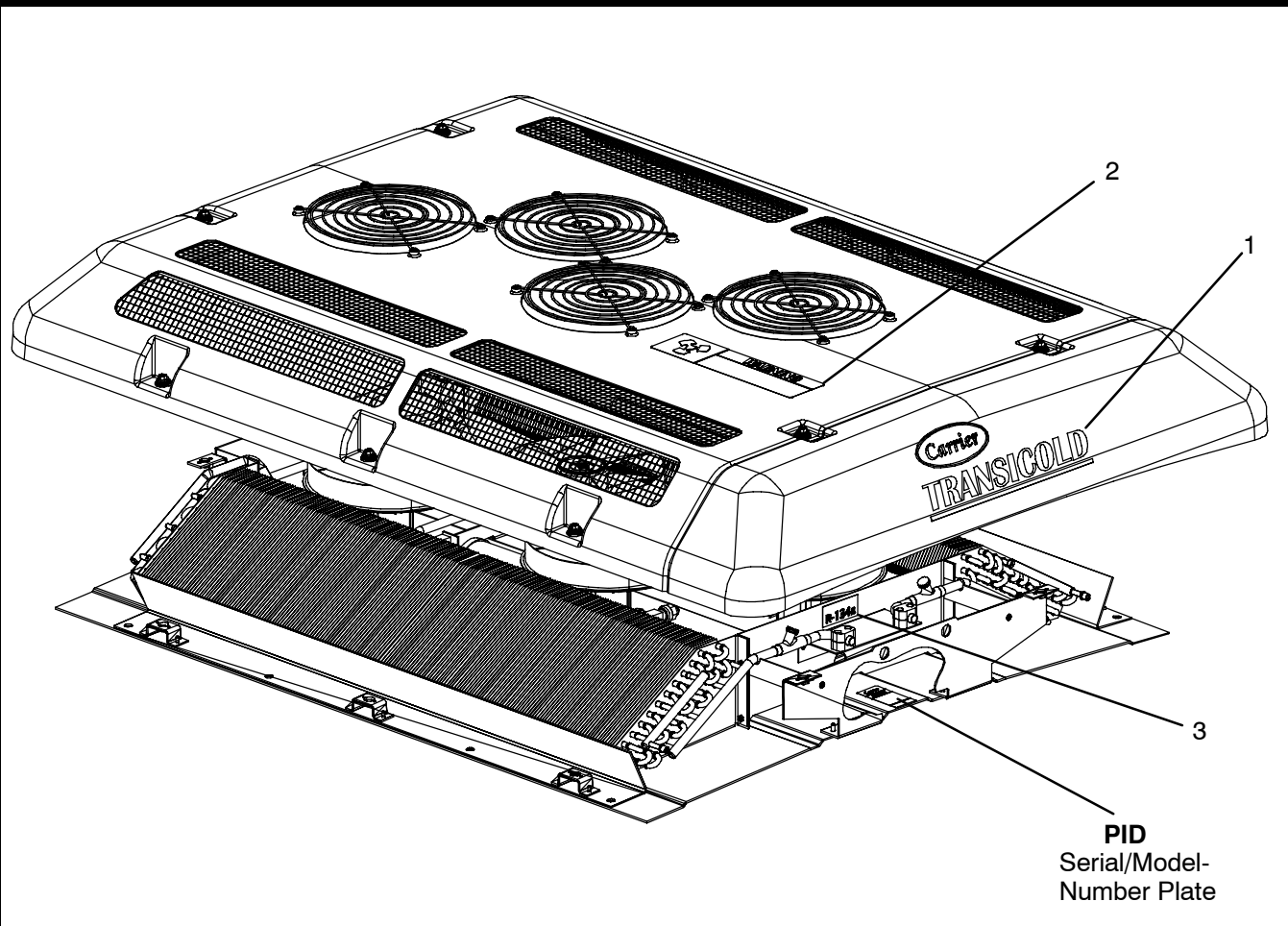
The condenser may be fitted with one of two different base assemblies. The assemblies differ dependent on single or dual loop refrigerant system configuration.

Skins Kit	
1	Top Cover - Low Roof Radius
2	Top Cover - High Roof Radius
Refrigeration Kit	
1	Dual Loop
2	Single Loop
Electrical Kit	
1	24 VDC W/PM Motors
2	12 VDC W/PM Motors
Condenser Frame	
1	Dual Loop - Bottom
2	Single Loop - Bottom

OPTION TABLE

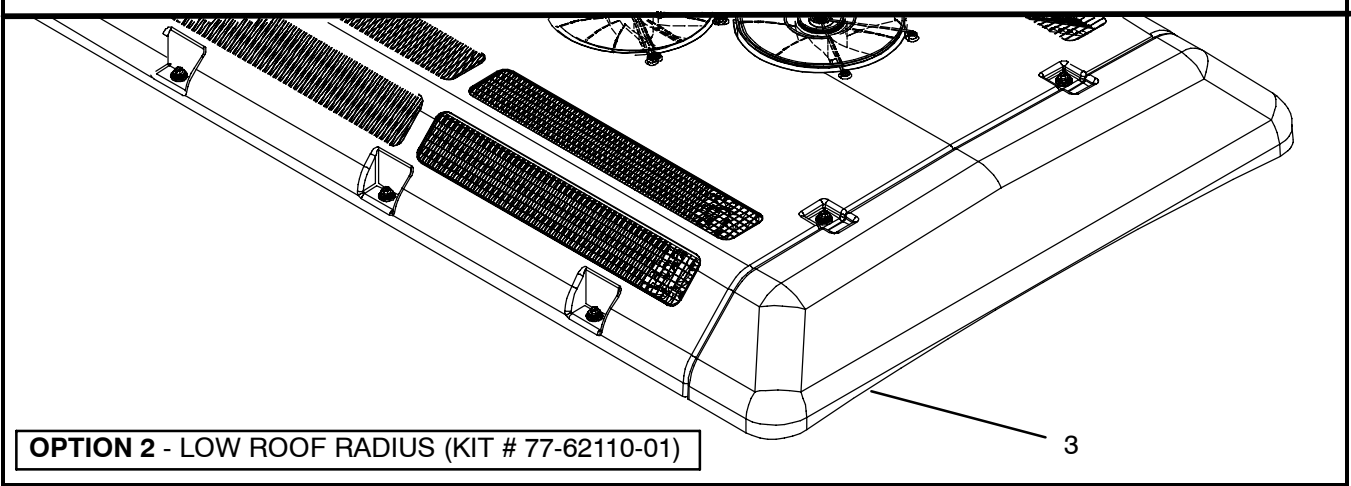
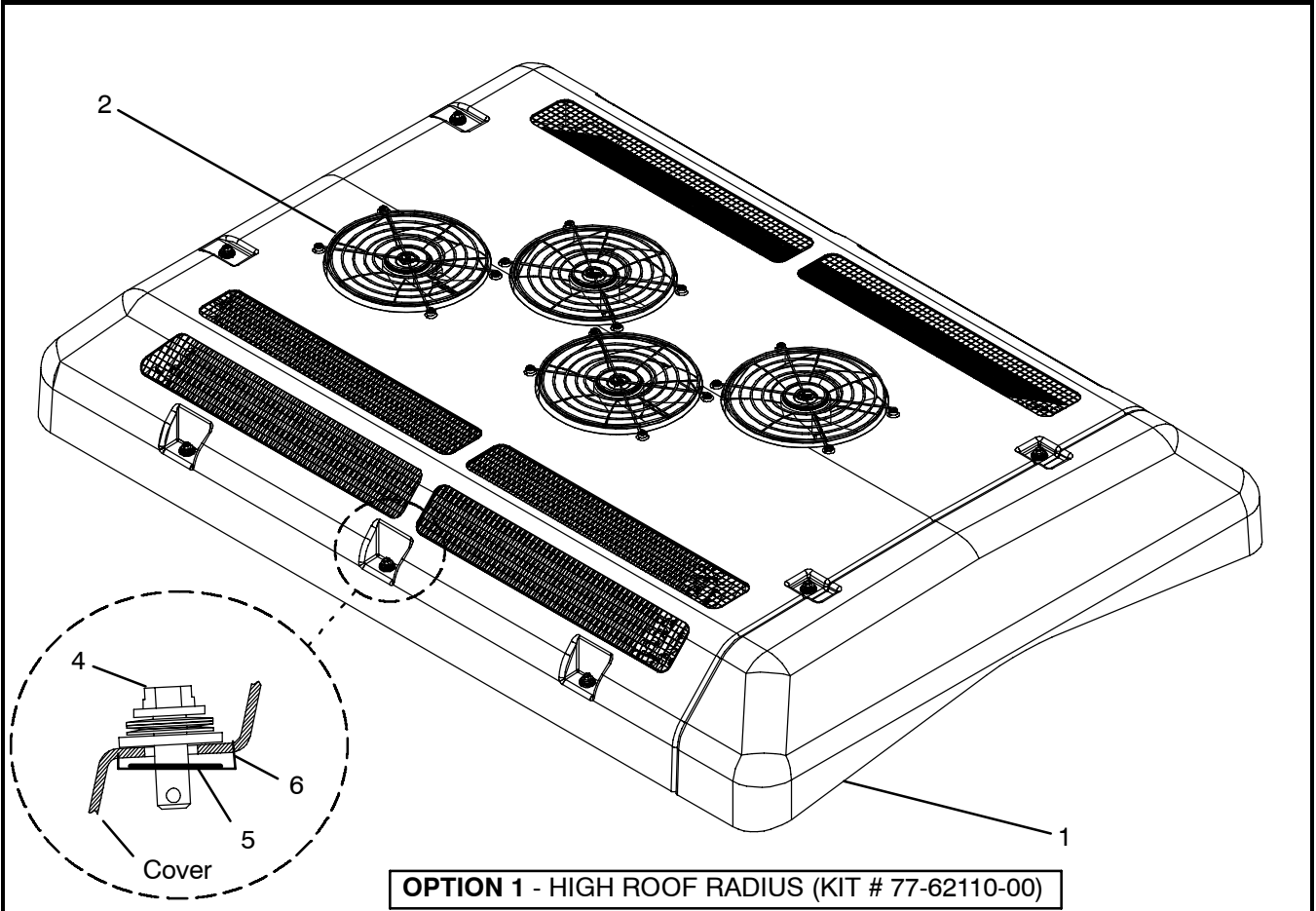
MODEL 68KR4	PID Condenser KR4C	Skins Kit	Refrigeration Kit	Electrical Kit	Frame Kit
-101	00030	1	1	1	1
-101-1	00031	2	1	1	1
-101-2	00032	1	1	2	1
-101-3	00033	2	1	2	1
-101-4	00034	1	2	1	2
-101-5	00035	2	2	1	2
-101-6	00036	1	2	2	2
-101-7	00037	2	2	2	2

2.13.1 CONDENSER, 68KR4-101 SERIES, DECAL KIT



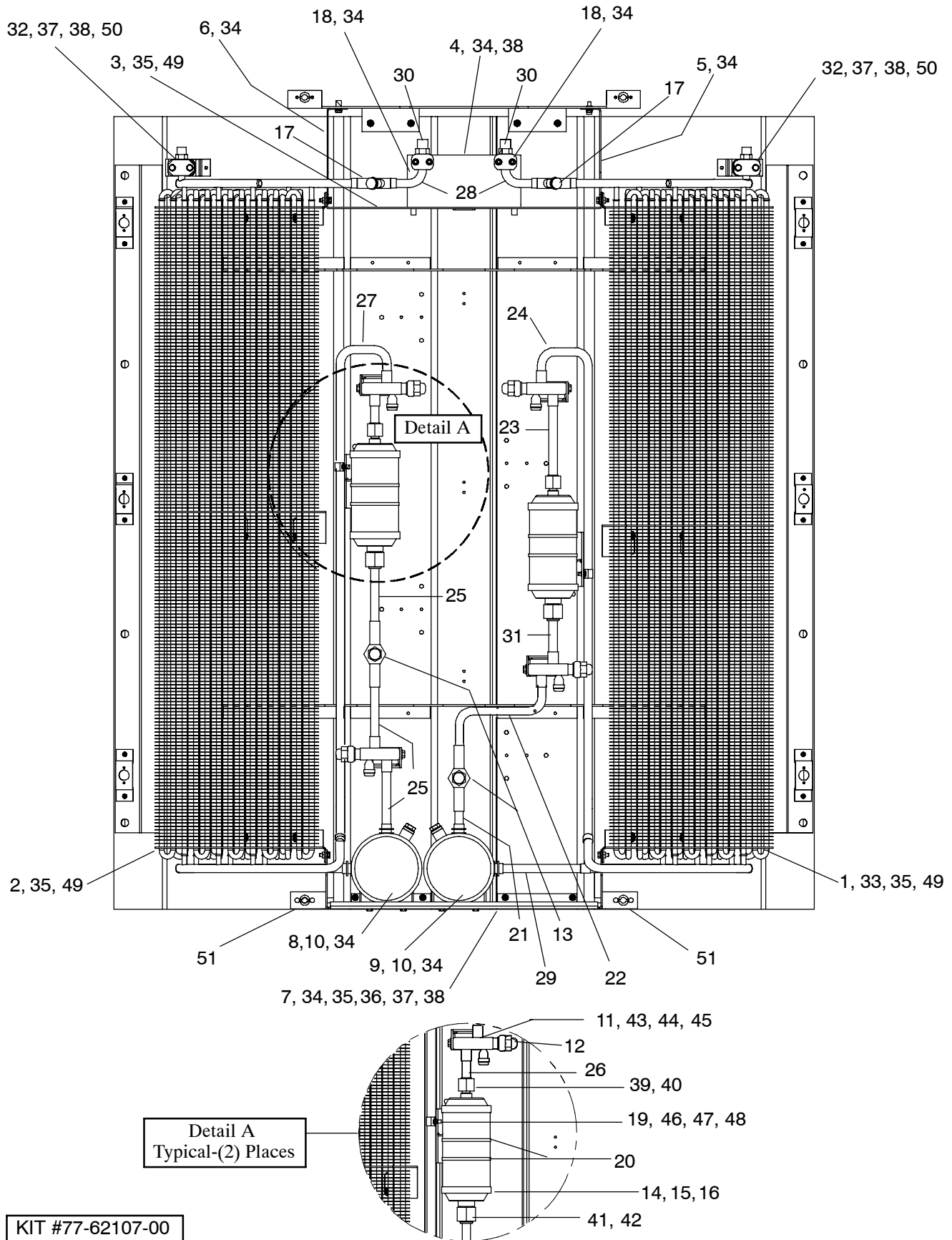
Item	Part Number	Description	Qty
1	62-03882-01	Decal, "Carrier Transicold"	1
2	62-62045-00	Label, Warning, Fan Blades & Power Disconnect	1
3	62-62039-00	Label, "Charge Only With R134a"	1

2.13.2 CONDENSER, 68KR4-101 SERIES, SKINS KIT - OPTION 1 & 2



Item	Part Number	Description	Qty
OPTION 1			
1	58-62040-00	Cover, Top, Condenser, KR4, High Roof Radius, With End Cap - Includes:	1
2	73-62003-00Grill, Cover	4
OPTION 2			
3	58-62040-02	Cover, Top, Condenser, KR4, Low Roof Radius, With End Cap - Includes:	1
2	73-62003-00Grill, Cover	4
COMMON PARTS			
4	32-24-01-013	Stud, Captive, 1/4 Turn Camloc (91F)	10
5	32-24-01-016	Washer, Special, Retaining	10
6	68-63648-00	Plate, Reinforcing, Cover	10

2.13.3 CONDENSER, 68KR4-101 SERIES, REFRIGERATION KIT, DUAL LOOP - OPTION 1

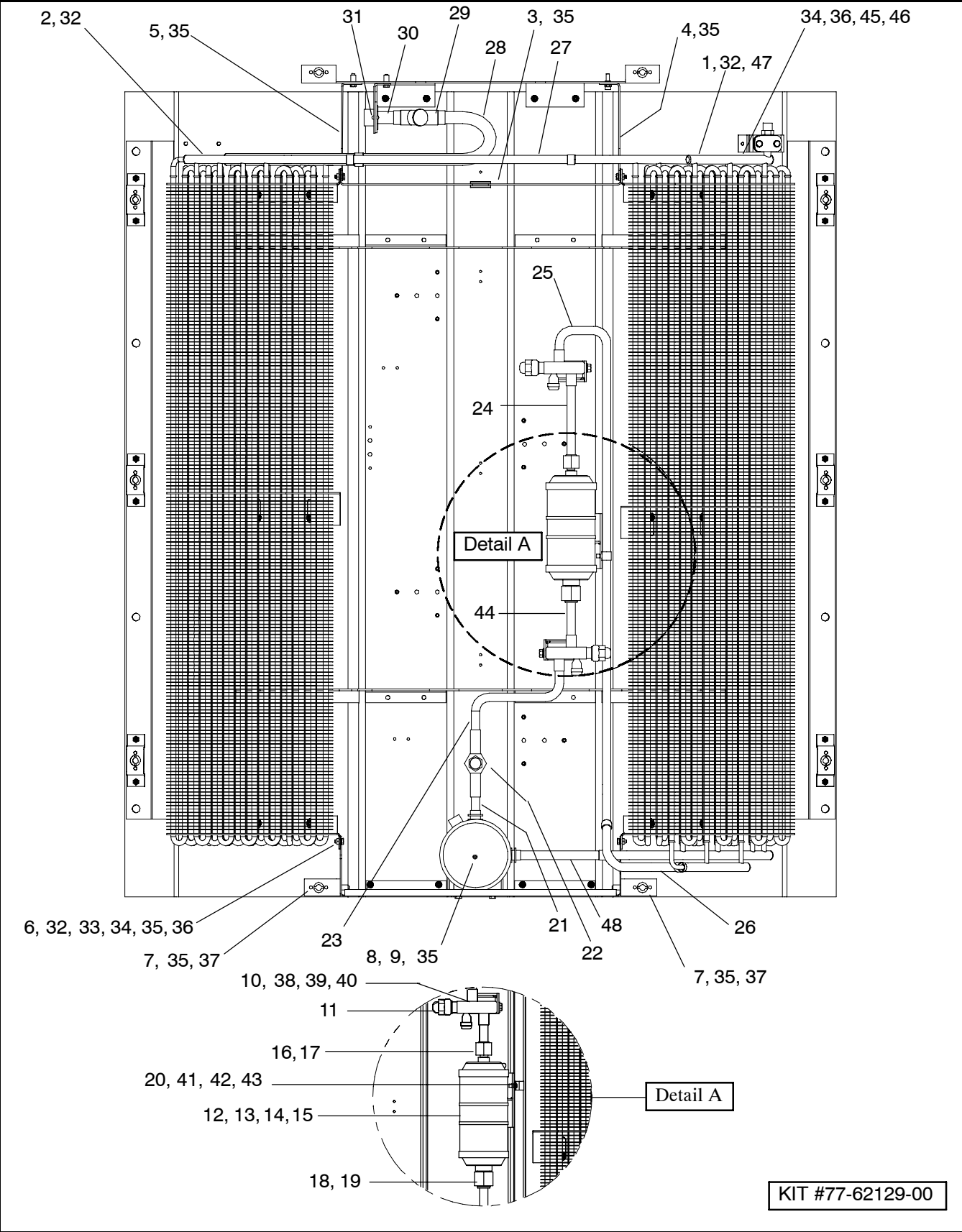


2.13.3 CONDENSER, 68KR4-101 SERIES, REFRIGERANT KIT DUAL LOOP - OPTION 1, Continued			
Item	Part Number	Description	Qty
1	08-62038-00	Coil, Condenser, Dual Loop	1
2	08-62038-01	Coil, Condenser, Dual Loop	1
3	68-63079-00	Bracket, Support Coil	1
4	68-62718-00	Bracket, Mounting, Tube Clamp	1
5	68-63084-00	Bracket, Mounting	1
6	68-63084-01	Bracket, Mounting	1
7	68-63158-00	Bracket, Support	1
8	65-62003-00	Receiver Assembly, Inlet Right, 5 Inch O.D.	1
9	65-62003-01	Receiver Assembly, Inlet Left, 5 Inch O.D.	1
10	14-01032-01	Plug, Fusible, 3/8 MPT	2
11	40-00501-05	Valve, King, Brass, 5/8 ODF	4
12	40-00501-50Cap, King Valve, Service Part	4
13	14-00026-04	Indicator, Liquid & Moisture, 5/8 ODF	2
14	14-00320-00	Filter Drier, 7/8 ORS Inlet X 3/4 Inch ORS Outlet - Includes:	2
15	42-00243-11O-Ring, .739 ID X .070 Thick	1
16	42-00243-15O-Ring, .864 ID X .070 Thick	1
17	14-00029-04	Valve, Check, 5/8 ODF	2
18	44-00285-81	Clamp, Tube, Saddle, 5/8 Inch (With Cover Plate)	2
19	34-00373-07	Clamp, Tube, 0.625 Dia. Cushion	2
20	44-00045-20	Clamp, Hose, Worm Type (3.063 - 4.00 Inches)	4
21	56-00143-89	Tube, Straight, Copper, 5/8 OD X .040W X 2.19 Inches Long	1
22	56-62239-00	Tube, Discharge, Bent, 5/8 OD X .040W Copper	1
23	56-00143-24	Tube, Straight, Copper, 5/8 OD X .040W X 6.00 Inches Long	1
24	56-62240-00	Tube, Liquid, Bent, 5/8 OD X .040W Copper	1
25	56-00143-73	Tube, Straight, Copper, 5/8 OD X .040W X 4.88 Inches Long	3
26	56-00143-75	Tube, Straight, Copper, 5/8 OD X .040W X 1.62 Inches Long	1
27	56-62240-01	Tube, Liquid, Bent, 5/8 OD X .040W Copper	1
28	56-62231-00	Tube, Liquid, Bent, 5/8 OD X .040W Copper	2
29	56-62241-00	Tube, Liquid, Straight, 5/8 OD X .040W Copper	1
30	40-62032-01	Nut, Swivel Fitting, Male Insert O-Ring, 7/8-14 X 5/8 ODF	2
31	56-00143-25	Tube, Straight, Copper, 5/8 OD X .040W X 3.00 Inches Long	1
32	44-00285-69	Clamp, Tube, Saddle, 1/2	2
33	AC801-414	Gasket, Foam, 3/8 X 1.00 Inch X 25 Foot Roll	1
34	34-01266-20	Screw, Hex Head SEMS, Slotted, M6 X 20MM Long	24
35	34-00946-06	Nut, Hex, M6 X 1.00, Steel	16
36	34-00944-06	Washer, Plain, M6	4
37	34-00945-06	Washer, Lock, Split, M6	8
38	34-06051-104	Rivnut, M6 X 1.0, Grip Range: .028-.165	14
39	34-06121-03	Nut, Hex, ORS Braze (1-14 Threads)	2
40	40-00503-03	Collar, Tube - 5/8 ORS, Brass	2
41	34-06121-04	Nut, Hex, ORS Braze (1-3/16-12 Threads)	2
42	40-00503-04	Collar, Tube - 5/8 ORS, Nickel Plated Steel	2
43	34-00303-04	Screw, Cap, Hex Head, 5/16-24 X 1/2 Inch Long	4
44	34-00588-12	Washer, Plain, 5/16, SAE	4
45	34-00368-12	Washer, Lock, Split, 5/16, Steel	4
46	34-01197-16	Screw, Cap, Hex Head, M4 X 16MM Long, SST	2
47	34-01151-04	Washer, Flat, M4, SST	2

2.13.3 CONDENSER, 68KR4-101 SERIES, REFRIGERANT KIT DUAL LOOP - OPTION 1, Continued

Item	Part Number	Description	Qty
48	34-01146-04	Washer, Lock, Split, M4, SST	2
49	34-60002-06	Washer, Bellville, M6 (Conical Spring Steel)	12
50	34-00967-60	Screw, Cap, Hex Head, M6 X 60MM Long	4
51	79-62101-00	Bracket Assembly, Cover Support - Includes:	2
	34-62016-00	...Receptacle, Locking Plate	1
	34-00928-09	...Rivet, Blind, (.156 Dia.)	2
	86-62469-00	...Bracket, Support	1

2.13.4 CONDENSER, 68KR4-101 SERIES, REFRIGERANT KIT, SINGLE LOOP - OPTION 2

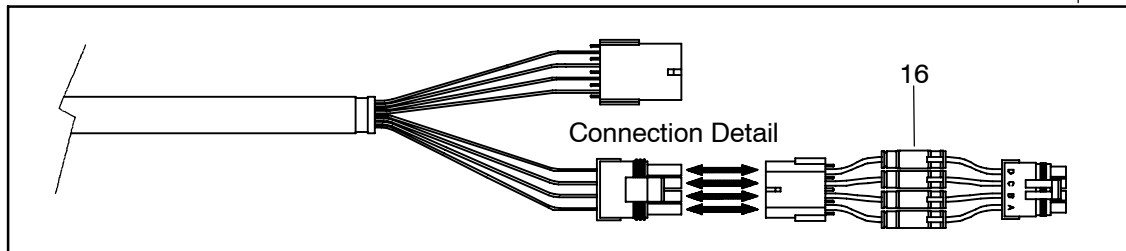
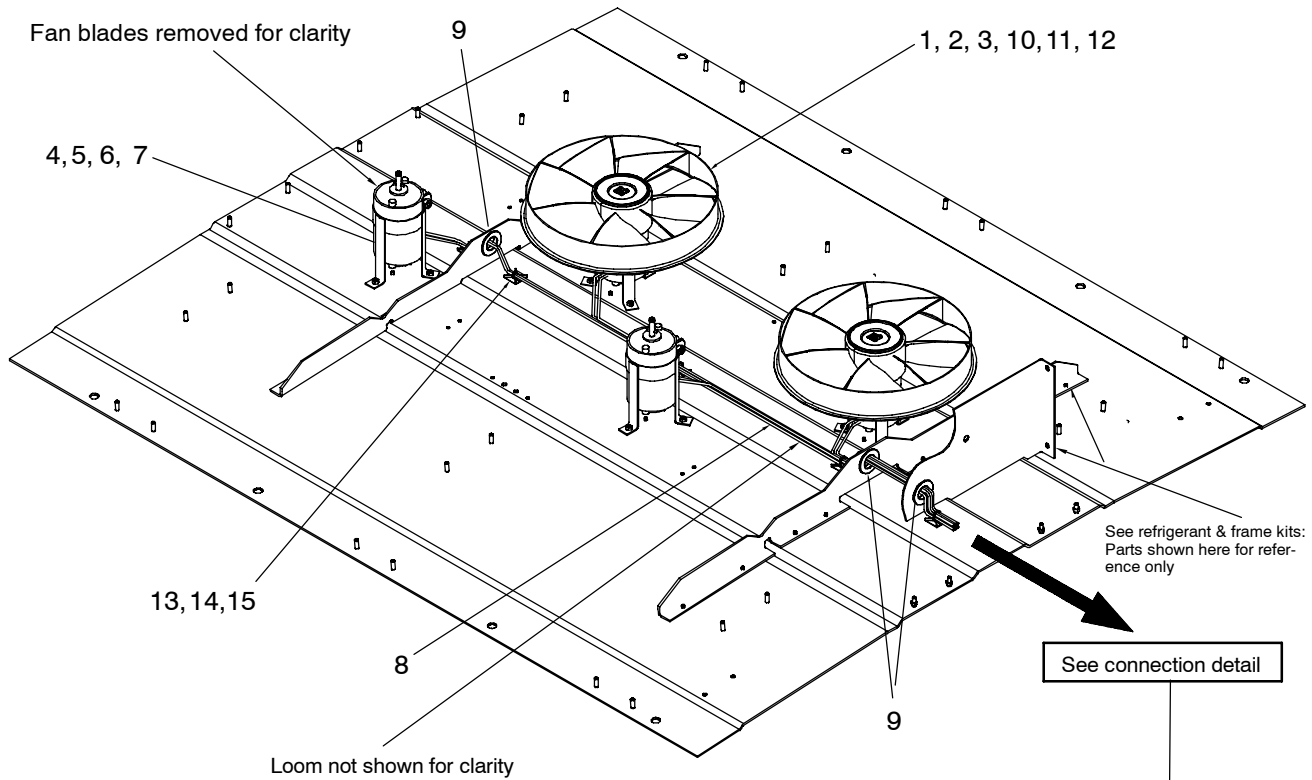


KIT #77-62129-00

Item	Part Number	Description	Qty
1	08-62046-00	Coil Assembly, Condenser, Single Loop	1
2	08-62046-01	Coil Assembly, Condenser, Single Loop	1

2.13.4 CONDENSER, 68KR4-101 SERIES, REFRIGERANT KIT, SINGLE LOOP - OPTION 2 - Continued:			
3	68-63079-00	Bracket, Coil Support	1
4	68-63084-00	Bracket, Mounting	1
5	68-63084-01	Bracket, Mounting	1
6	68-63299-00	Bracket, Support	1
7	79-62101-00	Bracket Assembly, Cover Support - Includes:	2
	34-62016-00	...Receptacle, Locking Plate	1
	34-00928-09	...Rivet, Blind, (.156 Dia.)	2
	86-62469-00	...Bracket, Support	1
8	65-62003-01	Receiver Assembly, Inlet Left, 5 Inch OD	1
9	14-01032-01	Plug, Fusible, Safety, 3/8 NPTF	1
10	40-00501-05	Valve, King, Brass, 5/8 ODF	2
11	40-00501-50Cap, King Valve, Service Part	2
12	14-00320-00	Filter Drier, 7/8 ORS Inlet X 3/4 ORS Outlet (41 Cu. In.) - Includes:	1
13	42-00243-11	...O-Ring, .739 ID X .070 Thick	1
14	42-00243-15	...O-Ring, .864 ID X .070 Thick	1
15	44-00045-20	Clamp, Hose, Worm Type, (3.063 - 4.00 Inches)	2
16	34-06121-04	Nut, Hex, ORS Braze (1-3/16-12 Threads)	1
17	40-00503-04	Collar, Tube, 5/8 ORS, Nickel Plated Steel	1
18	34-06121-03	Nut, Hex, ORS Braze (1-14 Threads)	1
19	40-00503-03	Collar, Tube - 5/8 ORS, Brass	1
20	34-00373-07	Clamp, Tube, 0.625 Dia. Cushioned	1
21	56-00143-89	Tube, Straight, Copper, 5/8 OD x .040W x 2.19 Inches Long	1
22	14-00026-04	Indicator, Liquid & Moisture, 5/8 ODF	1
23	56-62239-00	Tube, Discharge, Bent, 5/8 OD x .040W Copper	1
24	56-00143-24	Tube, Straight, Copper, 5/8 OD x .040 x 6.00 Inches Long	1
25	56-62240-00	Tube, Liquid, Bent, 5/8 OD x .040W Copper	1
26	56-62252-00	Tube, Liquid, Bent, 5/8 OD x .040W Copper	1
27	56-00145-87	Tube, Straight, Copper, 7/8 OD x .045W x 16.81 Inches Long	1
28	56-62253-00	Tube, Liquid, Bent, 7/8 OD x .045W Copper	1
29	14-00029-09	Valve, Check, 7/8 ODF	1
30	56-00145-26	Tube, Straight, Copper, 7/8 OD x .045W x 2.50 Inches Long	1
31	40-00491-00	Fitting, ORS, 7/8 x 1 3/16-12, Brass	1
32	34-00946-06	Nut, Hex, M6 X 1.00, Steel	16
33	34-00944-06	Washer, Plain, M6	4
34	34-00945-06	Washer, Lock, Split, M6	6
35	34-01266-20	Screw, Hex Head, SEMS, Slotted, M6 X 20MM Long	18
36	34-06051-104	Rivnut, M6 X 1.0, Grip Range	6
37	AC801-414	Gasket, Foam, .375 X 1.00 X 25 Foot Roll	1
38	34-00303-04	Screw, Cap, Hex Head, 5/16-24 X .50 Long	2
39	34-00588-12	Washer, Plain, 5/16 SAE, (.065 Thick)	2
40	34-00368-12	Washer, Lock, 5/16 Spring	2
41	34-01197-16	Screw, Cap, Hex Head, M4 X 16MM Long, SST	1
42	34-01151-04	Washer, Flat, M4, SST	1
43	34-01146-04	Washer, Lock, Split, M4, SST	1
44	56-00143-25	Tube, Straight, Copper, 5/8 OD x .040W x 3.00 Inches Long	1
45	44-00285-66	Clamp, Tube, Saddle, 5/8	1
46	34-00967-60	Screw, Cap, Hex Head, M6 X 60MM Long	2
47	34-60095-46	Washer, Lock, M6 X 18MM OD	12
48	56-62241-00	Tube, Liquid, Straight, 5/8 OD X .040W Copper	1
49	34-06088-00	Nut, Hex, 1-7/16-12, Brass	1

2.13.5 CONDENSER, 68KR4-101 SERIES, ELECTRICAL KIT - OPTION 1, 2, 3 & 4



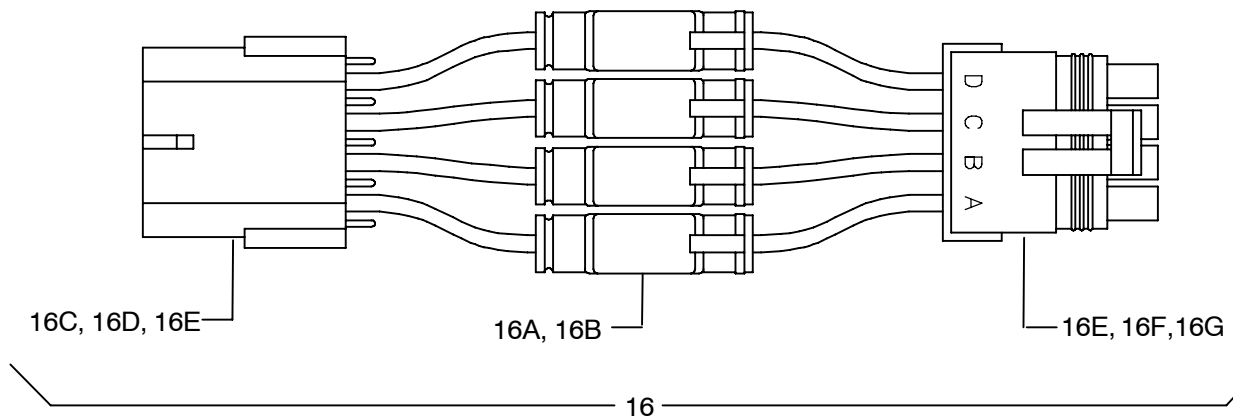
KIT #77-62109-00 (24VDC)
 KIT #77-62109-01 (12VDC)

KIT #77-62109-02 (24VDC W/FUSE)
 KIT #77-62109-03 (12VDC W/FUSE)

Item	Part Number	Description	Qty
OPTION 1			
1	54-00583-00	Motor, 24 VDC	4
OPTION 2			
1	54-00583-01	Motor, 12 VDC	4
OPTION 3			
1	54-00583-00	Motor, 24 VDC	4
16	22-62243-01	Fuse Assembly, 10 Amp, 24VDC	1
OPTION 4			
1	54-00583-01	Motor, 12 VDC	4
16	22-62243-00	Fuse Assembly, 15 Amp, 12VDC	1

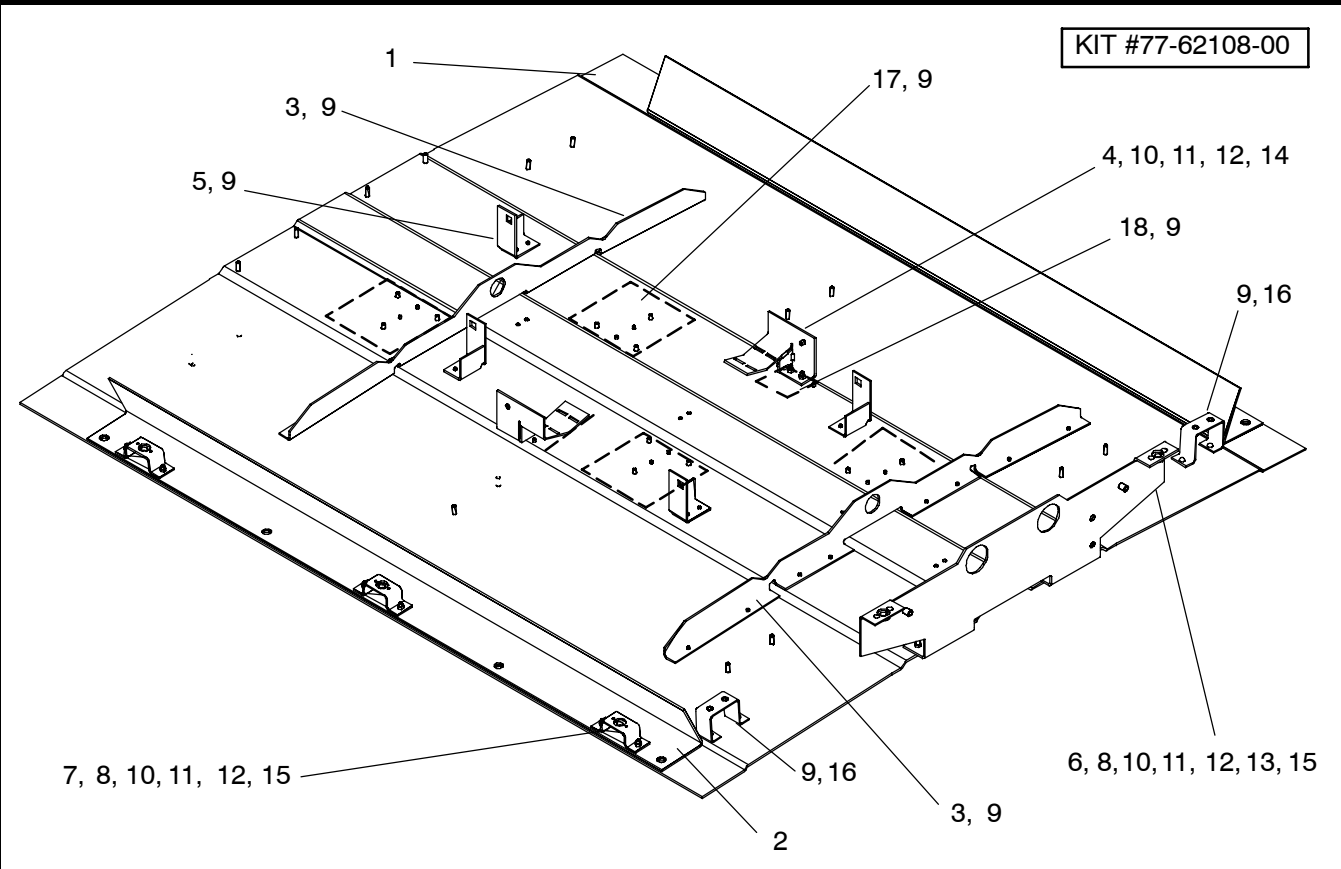
2.13.5 COMMON PARTS, 68KR4-101 SERIES, ELECTRICAL KIT - OPTION 1 THRU 4 - Continued:

Item	Part Number	Description	Qty
2	38-00566-00	Fan, Condenser	4
3	34-62017-00	Clip, Retaining, Condenser Fan	4
4	86-62216-01	Motor Mount, 3 Inch	4
5	34-00946-06	Nut, Hex, M6 X 1.00	12
6	34-00944-06	Washer, Flat, M6	12
7	34-00945-06	Washer, Lock, M6 Spring	12
8	22-62153-00	Wire Harness, KR4, DC Motors	1
9	58-00065-51	Grommet, 7/8 I.D.	3
10	22-01585-00	Connector, Male, 2 Pin Weatherpack	4
11	22-02393-01	Terminal, Male, 18-20 AWG	8
12	22-02394-01	Seal, Cable	8
13	58-04246-00	Ty-Wrap Base, #10 Mounting Tab	5
14	58-00079-02	Sta-Strap, 0-1.75 Inch Diameter Cable	5
15	34-00928-09	Rivet, Blind, .156 Diameter	10



Item	Part Number	Description	Qty
16	22-62243-00	Fuse Assembly, 15 Amp, 12VDC - Includes:	1
16A	22-02336-24Fuse, 15 Amps, Blue	4
16B	22-02338-03Holder, Fuse	4
16C	22-02392-03Connector, Female, , 4 Pin, Black	1
16D	22-01566-00Terminal, Female (14-16 AWG)	4
16E	22-02394-00Seal, Cable, Gray (.11-.14 Cable OD)	8
16F	22-01585-04Connector, Male, 4 Pin, Black	1
16G	22-02393-00Terminal, Male (14-16 AWG)	4
16	22-62243-01	Fuse Assembly, 10 Amp, 24VDC - Includes:	1
16A	22-02336-23Fuse, 10 Amps, Red	4
16B	22-02338-03Holder, Fuse	4
16C	22-02392-03Connector, Female, , 4 Pin, Black	1
16D	22-01566-00Terminal, Female (14-16 AWG)	4
16E	22-02394-00Seal, Cable, Gray (.11-.14 Cable OD)	8
16F	22-01585-04Connector, Male, 4 Pin, Black	1
16G	22-02393-00Terminal, Male (14-16 AWG)	4

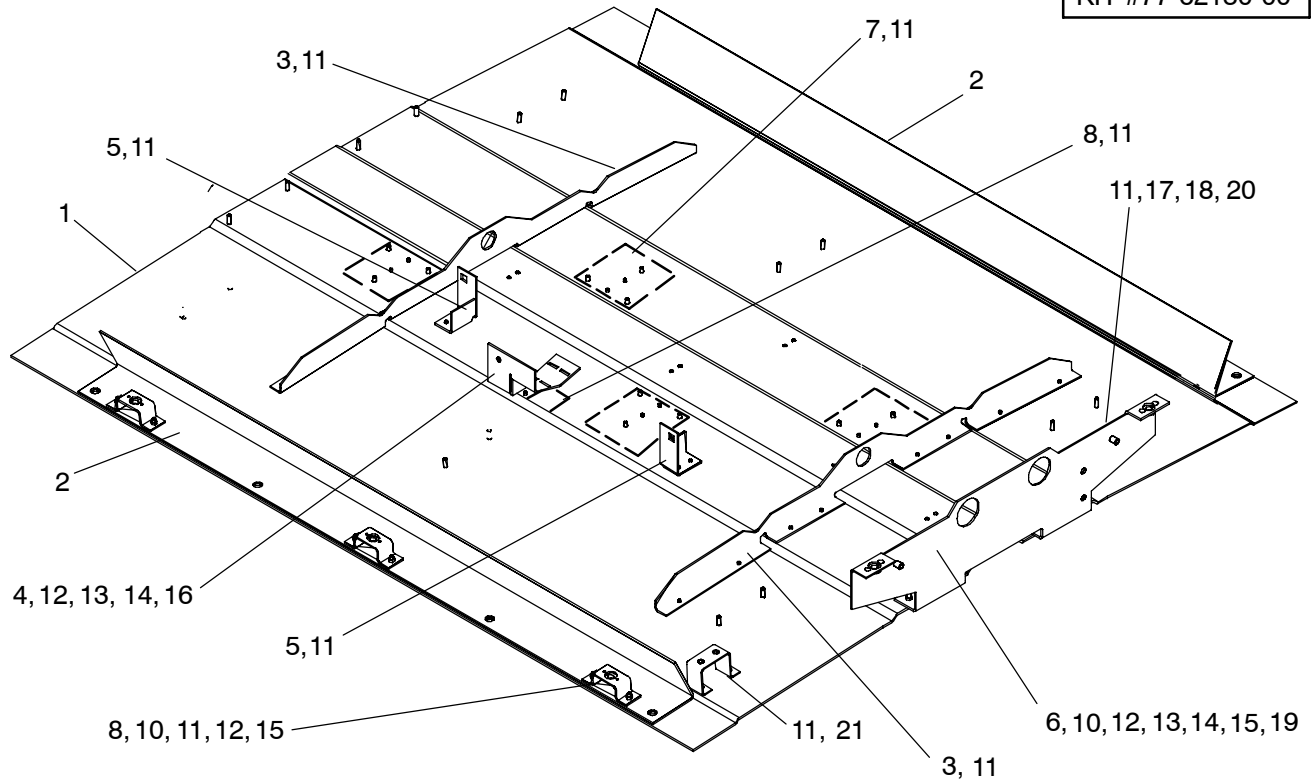
2.13.6 CONDENSER, 68KR4-101 SERIES, FRAME KIT, DUAL LOOP - OPTION 1



Item	Part Number	Description	Qty
1	68-63694-00	Plate Assembly	1
2	68-63218-00	Angle, Support	2
3	68-63699-00	Bracket	2
4	86-62320-00	Bracket Assembly, Filter Drier	2
5	86-62300-00	Bracket Assembly, King Valve	4
6	68-63076-00	Bracket	1
7	68-63214-00	Bracket, Mounting	6
8	34-62016-00	Plate, Locking	8
9	34-62021-00	Rivet, 3/16 Inch	40
10	34-00946-06	Nut, Hex, M6 X 1.00	20
11	34-00944-06	Washer, Flat, M6	20
12	34-00945-06	Washer, Lock, M6 Spring	20
13	34-06051-104	Rivnut, M6	2
14	34-06051-101	Rivnut, M4 X 0.7	2
15	34-00928-09	Rivet, Blind, .156 Diameter	16
16	68-63259-00	Bracket	2
17	68-62765-00	Plate, Mounting	4
18	68-63113-00	Plate, Mounting	2

2.13.7 CONDENSER, 68KR4-101 SERIES, FRAME KIT, SINGLE LOOP - OPTION 2

KIT #77-62130-00



Item	Part Number	Description	Qty
1	68-63694-00	Plate Assembly	1
2	68-63218-00	Angle, Support	2
3	68-63699-00	Bracket, Support	2
4	86-62320-00	Bracket Assembly, Filter Drier	1
5	86-62300-00	Bracket Assembly, King Valve	2
6	68-63076-00	Bracket, Support	1
7	68-62765-00	Plate, Mounting	4
8	68-63113-00	Plate, Mounting	1
9	68-63214-00	Bracket, Mounting, Cover	6
10	34-62016-00	Receptacle, Locking Plate	8
11	34-62021-00	Rivet, Blind, Dome Head, 3/16 Inch Dia., Grip Range: .126-.250	34
12	34-00946-06	Nut, Hex, M6 X 1.00	18
13	34-00944-06	Washer, Flat, M6	18
14	34-00945-06	Washer, Split Lock, M6	18
15	34-06051-104	Rivnut, M6 X 1.0, Grip Range: .028-.165	4
16	34-06051-101	Rivnut, M4 X 0.7, Grip Range: .080-.130	1
17	68-63166-00	Bracket, Support	1
18	68-63167-00	Plate, Mounting	1
19	34-00928-09	Rivet, Blind, .156 Dia., Grip Range: .126-.250, SST	16
20	34-01266-20	Screw, Hex Head, Slotted, Sems, M6 X 20MM	2
21	68-63259-00	Bracket, Support, Tube Clamp	1

SECTION 2.14 CONDENSER, 68KR2/3-101 SERIES

INTRODUCTION

The Carrier Transicold model 68KR2/3 series condensers are of lightweight frame construction, designed to be installed on the vehicle roof.

CONFIGURATION IDENTIFICATION

Unit identification information is provided on a plate located inside the condenser. The plate provides the unit model number, the unit serial number and the unit parts identification number (PID). The model number identifies the overall unit configuration while the PID provides information on specific optional equipment and differences in detailed parts.

This section provides a description of and a tabular listing of unit model numbers and PID numbers to assist the reader in identifying the equipment supplied and any required service parts.

OPTION DESCRIPTION

Various options may be factory or field equipped to the base unit. These options are listed in the tables and described in the following subparagraphs.

Cover Kit

The top cover is designed to allow for different mounting arrangements on high roof radius, low roof radius and flat roof configurations.

Electrical Kit

The unit may be fitted with 12 or 24 volt fan motors, or with, or without in-line fuse assemblies.

OPTION LEGEND

Cover Kit KR2	
1	Top Cover - KR2 Flat Roof Radius
2	Top Cover - KR2 High Roof Radius
Cover Kit KR3	
1	Top Cover - KR3 Flat Roof Radius
2	Top Cover - KR3 High Roof Radius
3	Top Cover - KR3 Intermediate Roof Radius
Electrical Kit	
1	12 VDC W/PM Motors
2	24 VDC W/PM Motors
3	12 VDC W/PM Motors & In-Line Fuses
4	24 VDC W/PM Motors & In-Line Fuses

OPTION TABLE

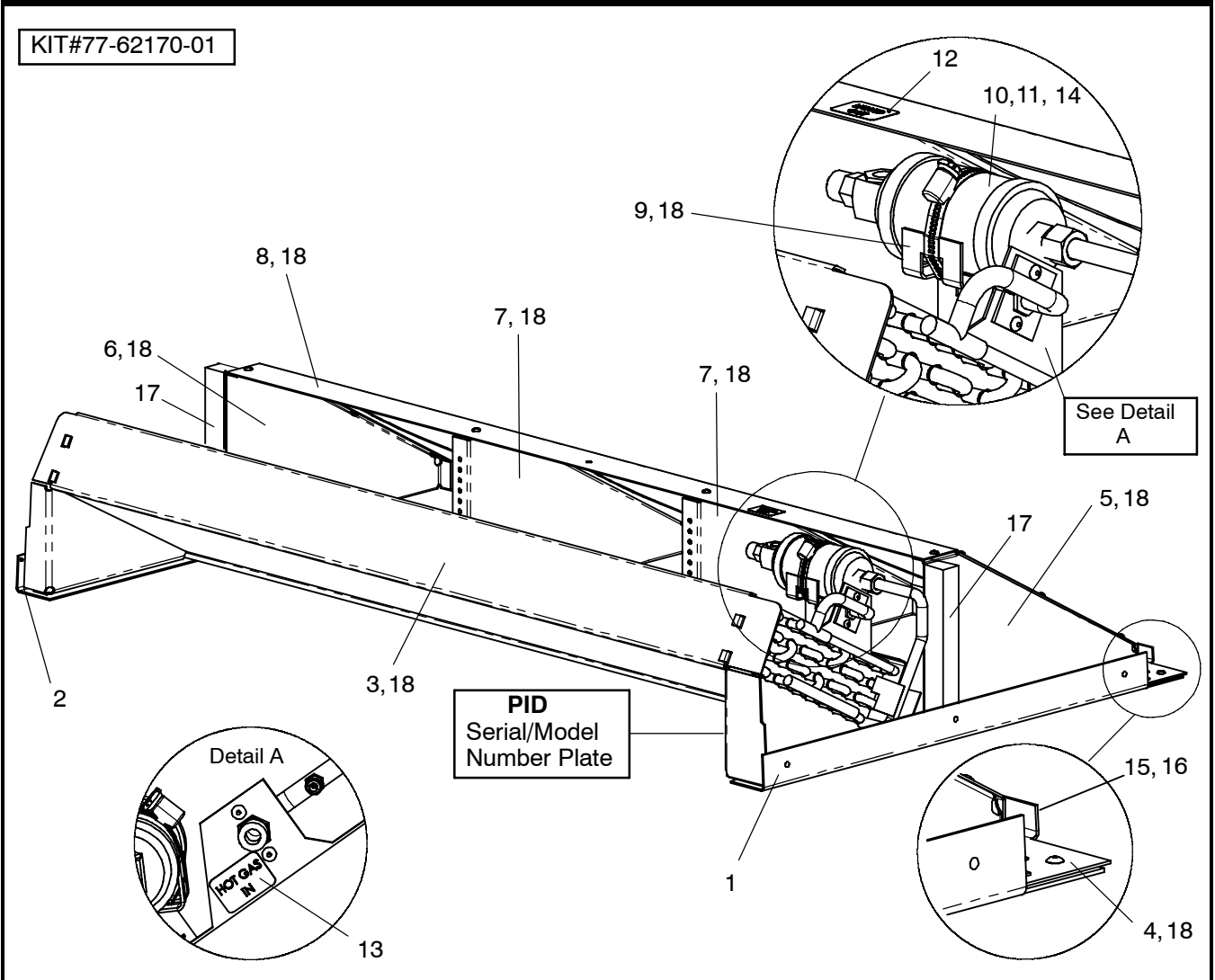
MODEL 68KR2	PID Condenser KR2	Cover Kit	Electrical Kit
-101	00073	1	1
-101-1	00075	1	2
-101-2	00076	2	1
-101-3	00077	2	1
-101-4	00103	1	3
-101-5	00104	1	4
-101-6	00105	2	3
-101-7	00106	2	4

OPTION TABLE

MODEL 68KR3	PID Condenser KR3	Cover Kit	Electrical Kit
-101	00074	1	1
-101-1	00078	1	2
-101-2	00079	2	1
-101-3	00080	2	2
-101-4	00107	3	1
-101-5	00108	3	2
-101-6	00099	1	3
-101-7	00100	1	4
-101-8	00101	2	3
-101-9	00102	2	4
-101-10	00109	3	3
-101-11	00110	3	4

SECTION 2.15 CONDENSER, 68KR3-101 SERIES

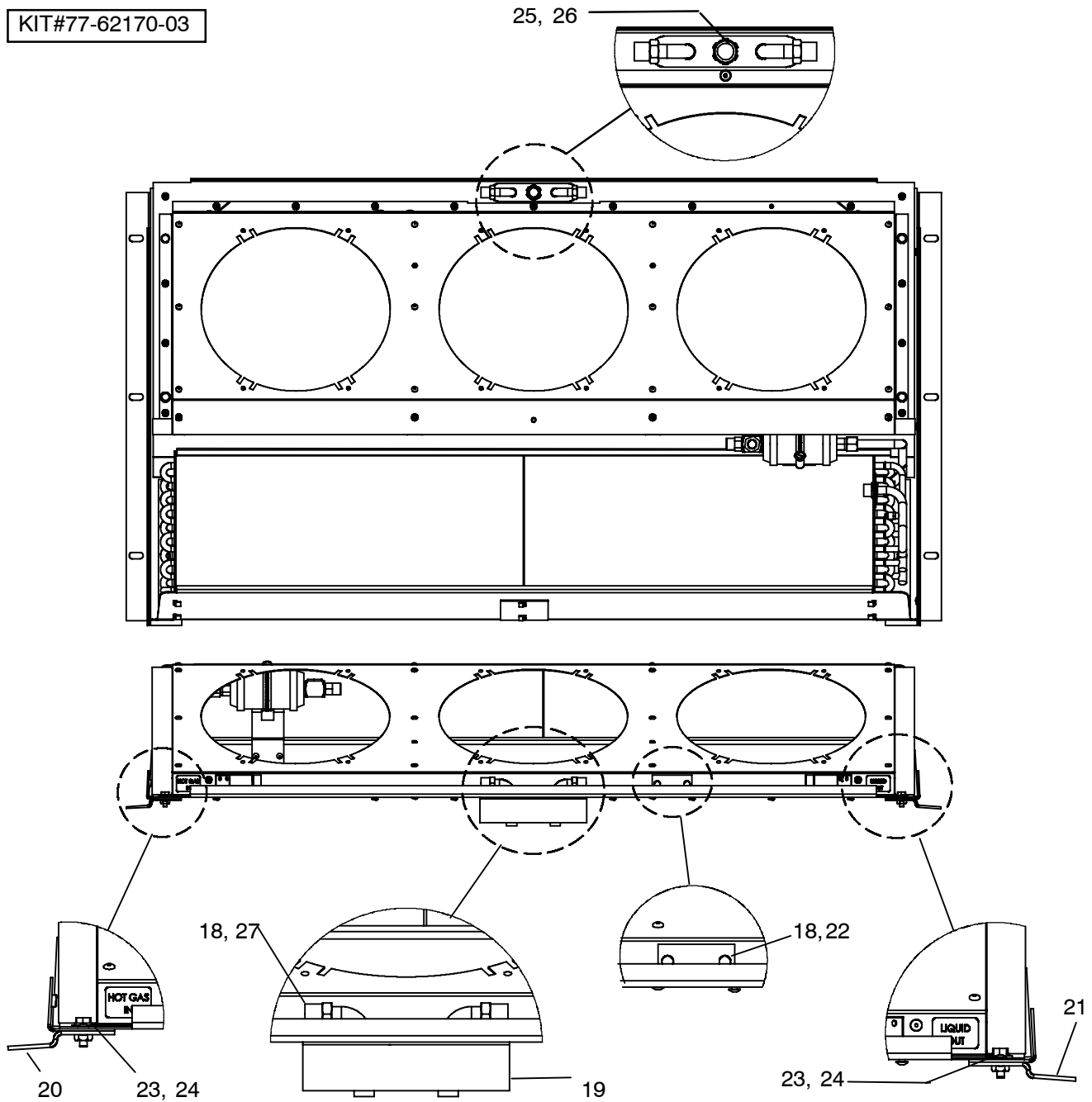
2.15.1 CONDENSER, 68KR3-101 SERIES - FRAME KIT



Item	Part Number	Description	Qty
1	67-62004-00	Bracket Assembly, Interface Control, Painted, KR2/3	1
2	67-62004-01	Bracket Assembly, Interface Control, Painted, KR2/3	1
3	08-62057-01	Coil Assembly, Condenser, KR3	1
4	68-63506-01	Pan, Painted, KR3	1
5	68-63509-00	Bracket, Painted, KR2/3	1
6	68-63509-01	Bracket, Painted, KR2/3	1
7	67-62006-00	Bracket Assembly, Interface Control, Painted, KR2/3	2
8	67-62005-01	Panel Assembly, Interface Control, Painted, KR3	1
9	68-63486-00	Bracket, Mounting, Filter Drier, Painted, KR2/3	1
10	14-00288-00	Filter Drier, Sight Glass, 1/2 Inch M.O.R. (16 Cubic Inch)	1
11	AC701-269	Clamp, Filter Drier, Worm Type, Range: 2.06 to 3.00	1
12	62-62042-15	Label, "Liquid Out"	1
13	62-62042-14	Label, "Hot Gas In"	1
14	AC801-202	O-Ring, 1/2 Inch, HNBR	1
15	68-63605-00	Bracket, Mounting	2
16	AC801-415	Gasket, Trimlok, Black, x Foot	1
17	42-00221-22	Gasket, Foam, 1.00 Thick x .38 Wide x 8.03 Long, Adhesive Backed	2
18	34-00928-14	Rivet, Blind, .187 Diameter, Grip Range: .251-.375	A/R

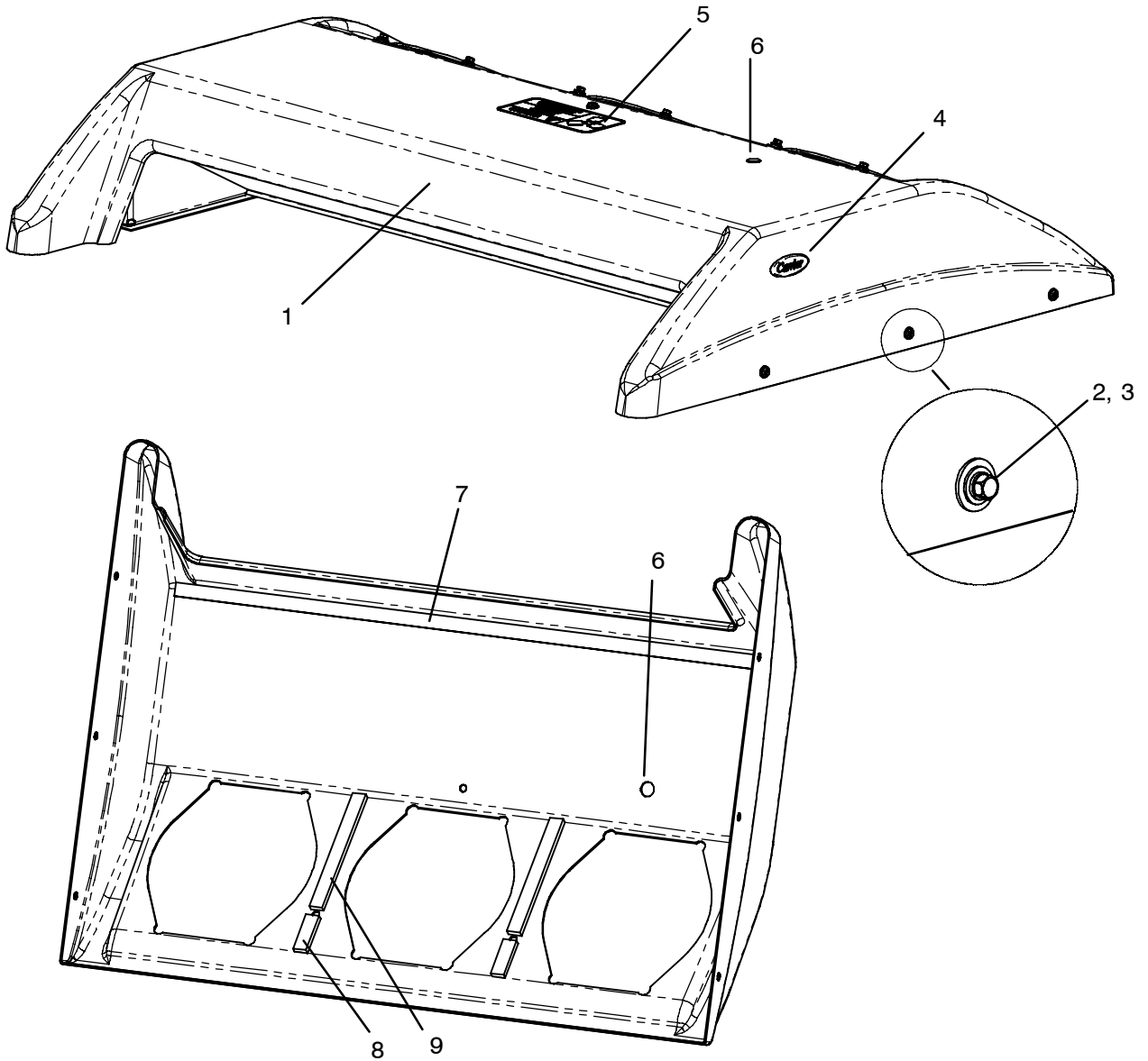
2.15.2 CONDENSER, 68KR3-101 SERIES - FRAME KIT WITH FEED-THRU PLATE

KIT#77-62170-03



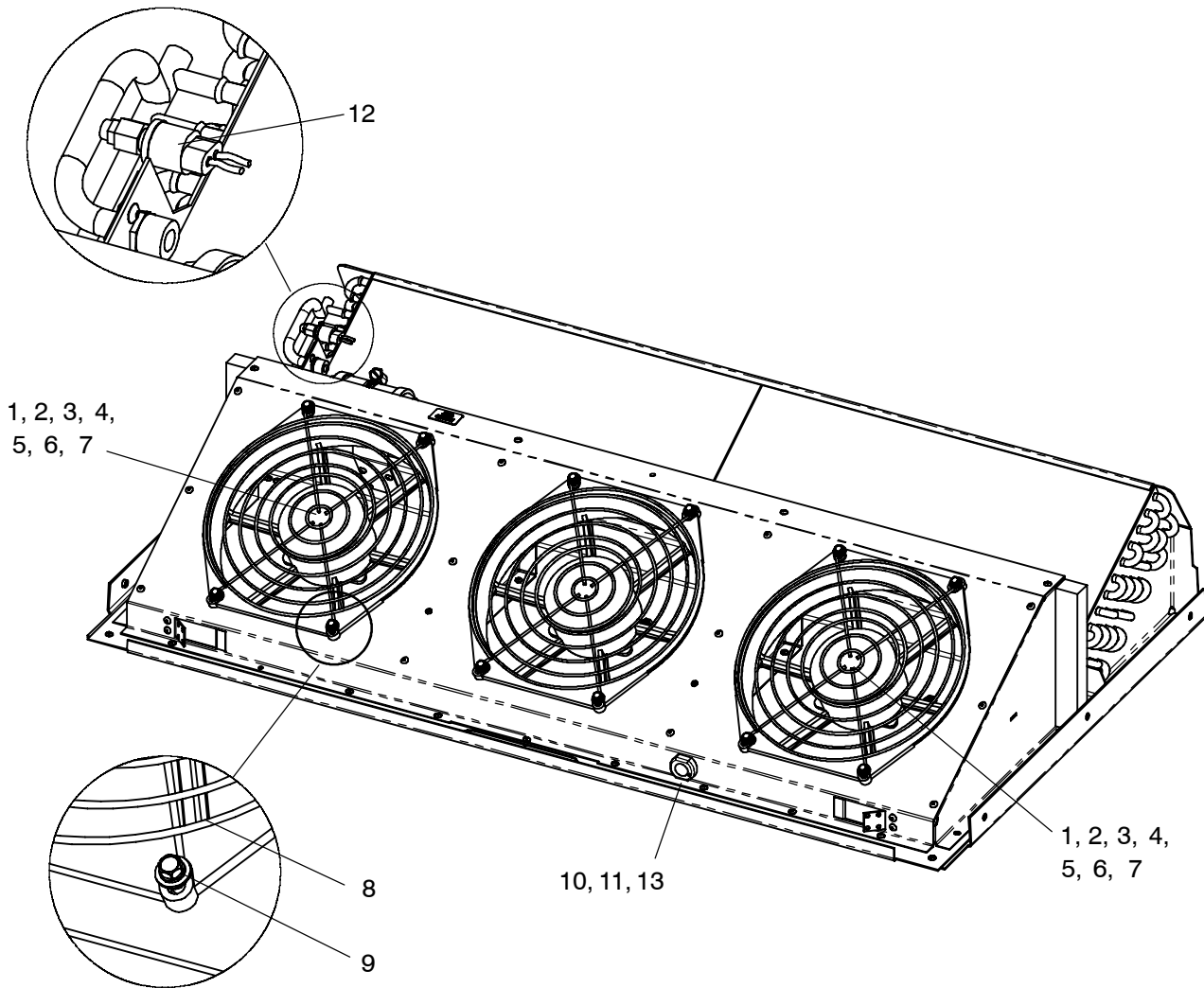
Item	Part Number	Description	Qty
19	42-62127-00	Insulation, Foam, Feed-Thru Plate Assembly	1
20	67-62007-04	Bracket, Unit Mounting	1
21	67-62007-05	Bracket, Unit Mounting	1
22	68-63656-00	Plate, Block-Off, Panel Assembly	1
23	34-00300-06	Screw, Cap, Hex Head, 1/4-20 x 0.75 Inches Long, Zinc	6
24	34-00368-11	Washer, Splitlock, 1/4 Inch, Zinc	6
25	58-62172-00	Adapter, Terminal, Male, 1/2 Gray	1
26	22-00118-02	Nut, Lock, 1/2 Inch Conduit	1
27	81-62145-00	Plate Assembly, Connection, Feed-Thru	1
N/S	58-62025-14	Hose Assembly, Ref., #8, 1/2 F.O.R. Straight x 1/2 F.O.R. Straight	1
N/S	58-62025-15	Hose Assembly, Ref., #10, 1/2 F.O.R. 90 Degree x 1/2 F.O.R. Straight	1

2.15.3 CONDENSER, 68KR3-101 SERIES - COVER KIT - 77-62171-01, -03, -04 & -06



Item	Part Number	Description	Qty
1	58-62164-00	Cover, Condenser, KR3, Flat (77-62171-01)	1
	58-62164-01	Cover, Condenser, KR3, 196.85 Radius (77-62171-03)	1
	58-62164-02	Cover, Condenser, KR3, 275.59 Radius (77-62171-04)	1
	58-62127-01	Cover, Condenser, KR3, Standard Radius (77-62171-06)	1
2	34-62011-00	Screw, Hex Head, Sems, W/Lock Washer 1/4-20 X 1.00 Inch Long, SST	9
3	34-00829-11	Washer, Flat, 1/4 Inch, SST	9
4	AC022-289	Decal, Carrier	2
5	62-62045-00	Label, Warning, Fan Blades & Disconnect Power	1
6	AC801-342	Plug, Clear, 1.00 Inch Diameter Hole	1
7	42-00221-18	Gasket, Foam, 1.00 Thick x .38 Wide x 46.50 Long, Adhesive Backed	1
8	42-00221-21	Gasket, Foam, 1.00 Thick x .38 Wide x 2.80 Long, Adhesive Backed	2
9	42-00221-20	Gasket, Foam, 1.00 Thick x .38 Wide x 9.32 Long, Adhesive Backed	2

2.15.4 CONDENSER, 68KR3-101 SERIES - ELECTRICAL KITS - (77-62172-01, -03, -05, -07)

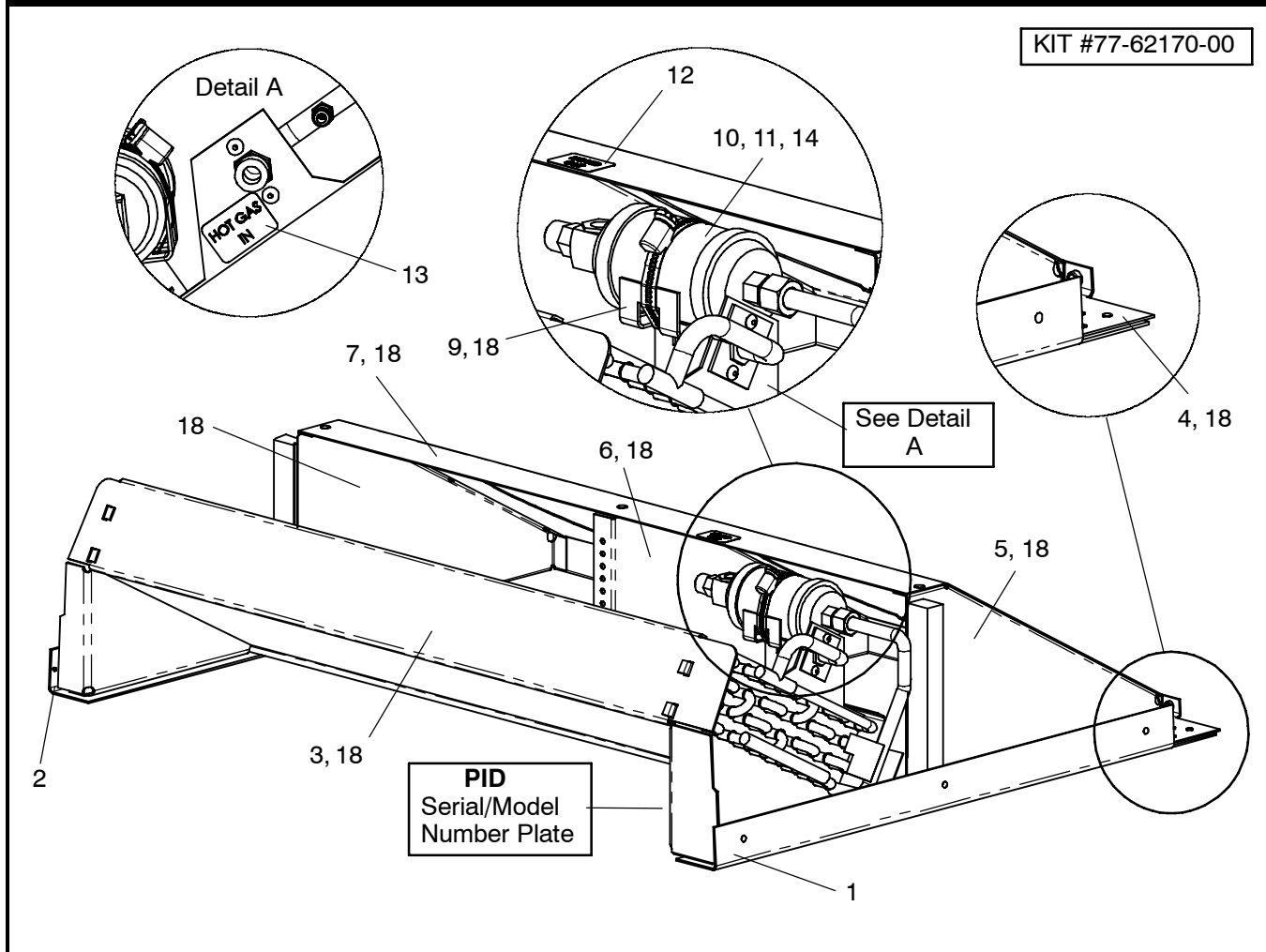


Item	Part Number	Description	Qty
1	AC401-110	Fan & Motor Assembly, 12 VDC - Includes:	3
2	54-50080-00Motor, Fan 12 VDC	1
3	44-50024-00Clip, Fan Blade	1
1	54-00545-00	Fan & Motor Assembly, 24 VDC	3
1	54-00545-03	Fan & Motor Assembly, 12 VDC With 15 Amp Fuse - Includes:	3
4	22-02338-02Holder, Fuse	1
5	22-02336-24Fuse, 15 Amp	1
1	54-00545-04	Fan & Motor Assembly, 24 VDC With 10 Amp Fuse - Includes:	3
6	22-02338-03Holder, Fuse	1
7	22-02336-23Fuse, 10 Amp	1
8	AC030-234	Guard, Fan, Condenser	3
9	34-62011-00	Bolt, Hex Head, Sems, With Lock Washer, 1/4-20 X 1 Inch, SST	12
10	22-62236-00	Harness Assembly, (KR-3)	1
11	66U1-3882	Wire Tie, Self-Locking, 7 Inch, Black	9
12	AC201-414	Switch, Pressure, 1/4 Inch Female Flare (400-300 PSIG)	1
13	58-62019-00	Bushing, Harness, Strain Relief	1

2.15.5 CONDENSER, 68KR3-101 SERIES - PACKAGE KITS - 77-62172-01 & -03			
Item	Part Number	Description	Qty
N/S	58-62025-08	Hose Assembly, Ref., #8, 1/2 F.O.R. Straight x 1/2 F.O.R. 90 Degree, KR3	1
N/S	58-62025-09	Hose Assembly, Ref., #10, 1/2 F.O.R. 90 Degree x 1/2 F.O.R. 90 Degree, KR3	1
N/S	81-62138-00	Plate Assembly, Connections, Feed-Thru, Radius Roof	1
N/S	81-62138-01	Plate Assembly, Connections, Feed-Thru, Flat Roof	1
N/S	67-62007-00	Bracket, Unit Mounting	1
N/S	67-62007-01	Bracket, Unit Mounting	1
N/S	34-00300-08	Screw, Cap, Hex Head, 1/4-20 x 1.00 Inch Long, Zinc	6
N/S	34-00588-11	Washer, Plain, 1/4, SAE, .065 Thick	6
N/S	34-00368-11	Washer, Split Lock, 1/4 Inch, Zinc	6
N/S	64-01213-00	Tape, Gummed, Reinforced, 3.00 Inches Wide x The Foot	4
N/S	02-62001-01	Sealant, Adhesive Caulk, White (10.3 Ounce Tube)	1
N/S	34-01295-18	Rivet, Pop, 3/16, Aluminum	4
N/S	22-01451-00	Butt Splice, Insulated, Red (#16-22 AWG)	2
N/S	AC202-207	Tubing, Heat Shrink, 3/4 Inch I.D. W/Adhesive (Range: #1-8 AWG)	3
N/S	22-01292-03	Butt Splice, Non-Insulated (#8 AWG)	1
2.15.6 CONDENSER, 68KR3-101 SERIES - PACKAGE KIT - 77-62173-05			
Item	Part Number	Description	Qty
N/S	58-62025-14	Hose Assembly, Ref., #8, 1/2 F.O.R. Straight x 1/2 F.O.R. Straight, KR3	1
N/S	58-62025-15	Hose Assembly, Ref., #10, 1/2 F.O.R. 90 Degree x 1/2 F.O.R. Straight, KR3	1
N/S	67-62007-00	Bracket, Unit Mounting	1
N/S	67-62007-01	Bracket, Unit Mounting	1
N/S	34-00300-08	Screw, Cap, Hex Head, 1/4-20 x 1.00 Inch Long, Zinc	6
N/S	34-00588-11	Washer, Plain, 1/4, SAE, .065 Thick	6
N/S	34-00368-11	Washer, Split Lock, 1/4 Inch, Zinc	6
N/S	64-01213-00	Tape, Gummed, Reinforced, 3.00 Inches Wide x The Foot	4
N/S	02-62001-01	Sealant, Adhesive Caulk, White (10.3 Ounce Tube)	1
N/S	34-01295-18	Rivet, Pop, 3/16, Aluminum	4
N/S	22-01451-00	Butt Splice, Insulated, Red (16-22 AWG)	2
N/S	AC202-207	Tubing, Heat Shrink, 3/4 Inch I.D. W/Adhesive (Range: #1-8 AWG)	3
N/S	22-01292-03	Butt Splice, Non-Insulated (#8 AWG)	1
2.15.7 CONDENSER, 68KR3-101 SERIES - PACKAGE KIT - 77-62173-06			
Item	Part Number	Description	Qty
N/S	64-01213-00	Tape, Gummed, Reinforced, 3.00 Inches Wide x The Foot	4
N/S	02-62001-01	Sealant, Adhesive Caulk, White (10.3 Ounce Tube)	1
N/S	22-01451-00	Butt Splice, Insulated, Red (16-22 AWG)	2
N/S	AC202-207	Tubing, Heat Shrink, 3/4 Inch I.D. W/Adhesive (Range: #1-8 AWG)	3
N/S	22-01292-03	Butt Splice, Non-Insulated (#8 AWG)	1
2.15.8 CONDENSER, 68KR3-101 SERIES - PACKAGE KIT - 77-62173-07			
Item	Part Number	Description	Qty
N/S	64-01213-00	Tape, Gummed, Reinforced, 3.00 Inches Wide x The Foot	4
N/S	02-62001-01	Sealant, Adhesive Caulk, White (10.3 Ounce Tube)	1
N/S	22-01451-00	Butt Splice, Insulated, Red (16-22 AWG)	2
N/S	AC202-207	Tubing, Heat Shrink, 3/4 Inch I.D. W/Adhesive (Range: #1-8 AWG)	3
N/S	22-01292-03	Butt Splice, Non-Insulated (#8 AWG)	1

SECTION 2.16 CONDENSER, 68KR2-101 SERIES

2.16.1 CONDENSER, 68KR2-101 SERIES - FRAME KIT

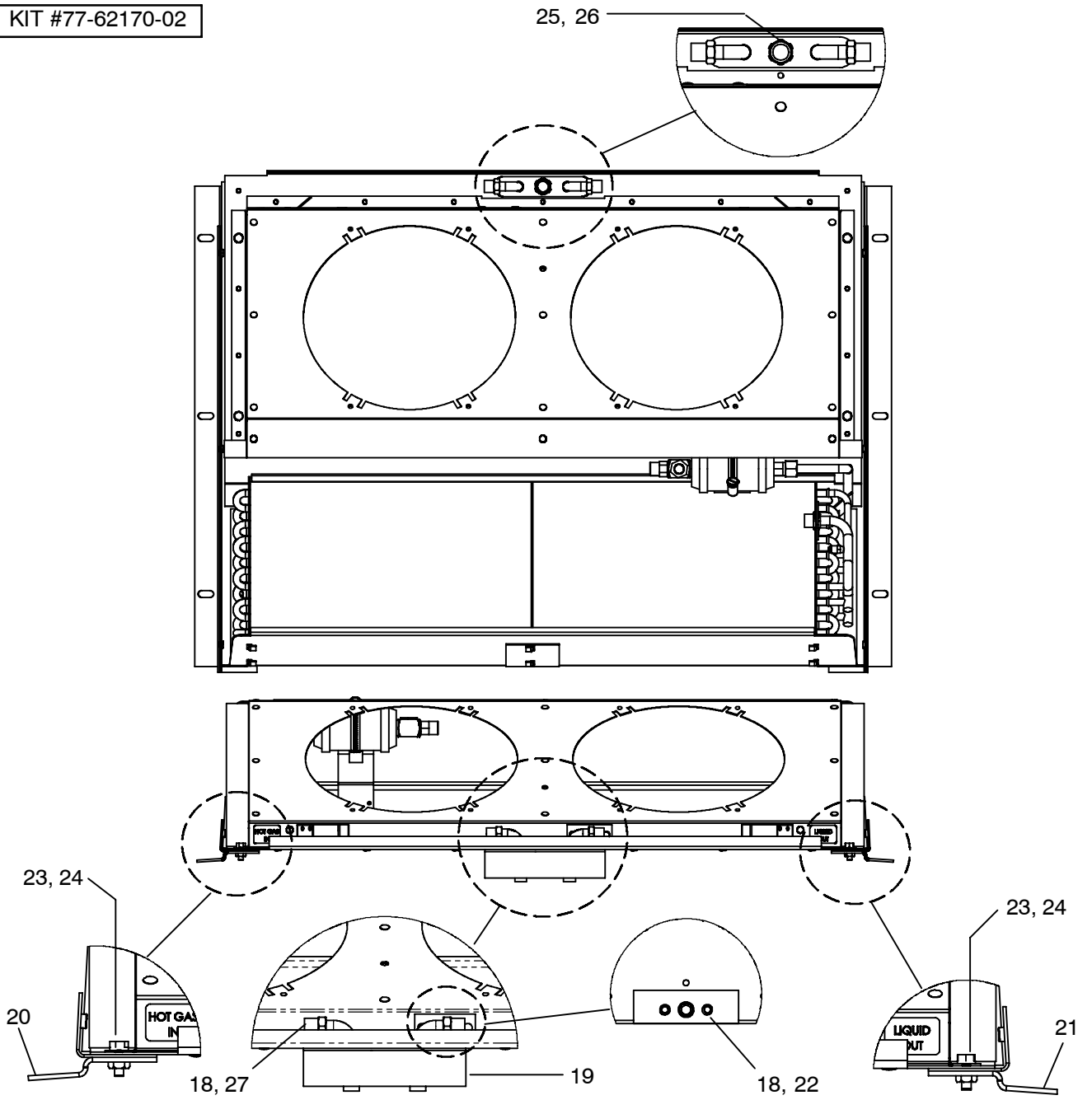


KIT #77-62170-00

Item	Part Number	Description	Qty
1	67-62004-00	Bracket Assembly, Interface Control, Painted, KR2	1
2	68-62004-01	Bracket Assembly, Interface Control, Painted, KR2	1
3	08-62057-00	Coil Assembly, Condenser, KR2	1
4	68-63506-00	Pan, Painted, KR2	1
5	68-63509-00	Bracket, Painted, KR2/3	1
6	68-63509-01	Bracket, Painted, KR2/3	1
7	67-62006-00	Bracket Assembly, Interface Control, Painted, KR2	1
8	67-62005-00	Panel Assembly, Interface Control, Painted, KR2	1
9	68-63486-00	Bracket, Mounting, Filter Drier, Painted, KR2	1
10	14-00288-00	Filter Drier, W/Sight Glass, 1/2 Inch M.O.R. (16 Cubic Inch)	1
11	AC701-269	Clamp, Filter Drier, Worm Type, Range: 2.06 to 3.00 Inch,	1
12	62-62042-15	Label, "Liquid Out"	1
13	62-62042-14	Label, "Hot Gas In"	1
14	AC801-202	O-Ring, 1/2 Inch, HNBR	1
15	68-63605-00	Bracket, Mounting	2
16	AC801-415	Gasket, Trimlock, Black, x Foot	1
17	42-00221-22	Gasket, Foam, 1.00 Thick x .38 Wide x 8.03 Long, Adhesive Backed	2
18	34-00928-14	Rivet, Blind, .187 Diameter, Grip Range: .251-.375	A/R

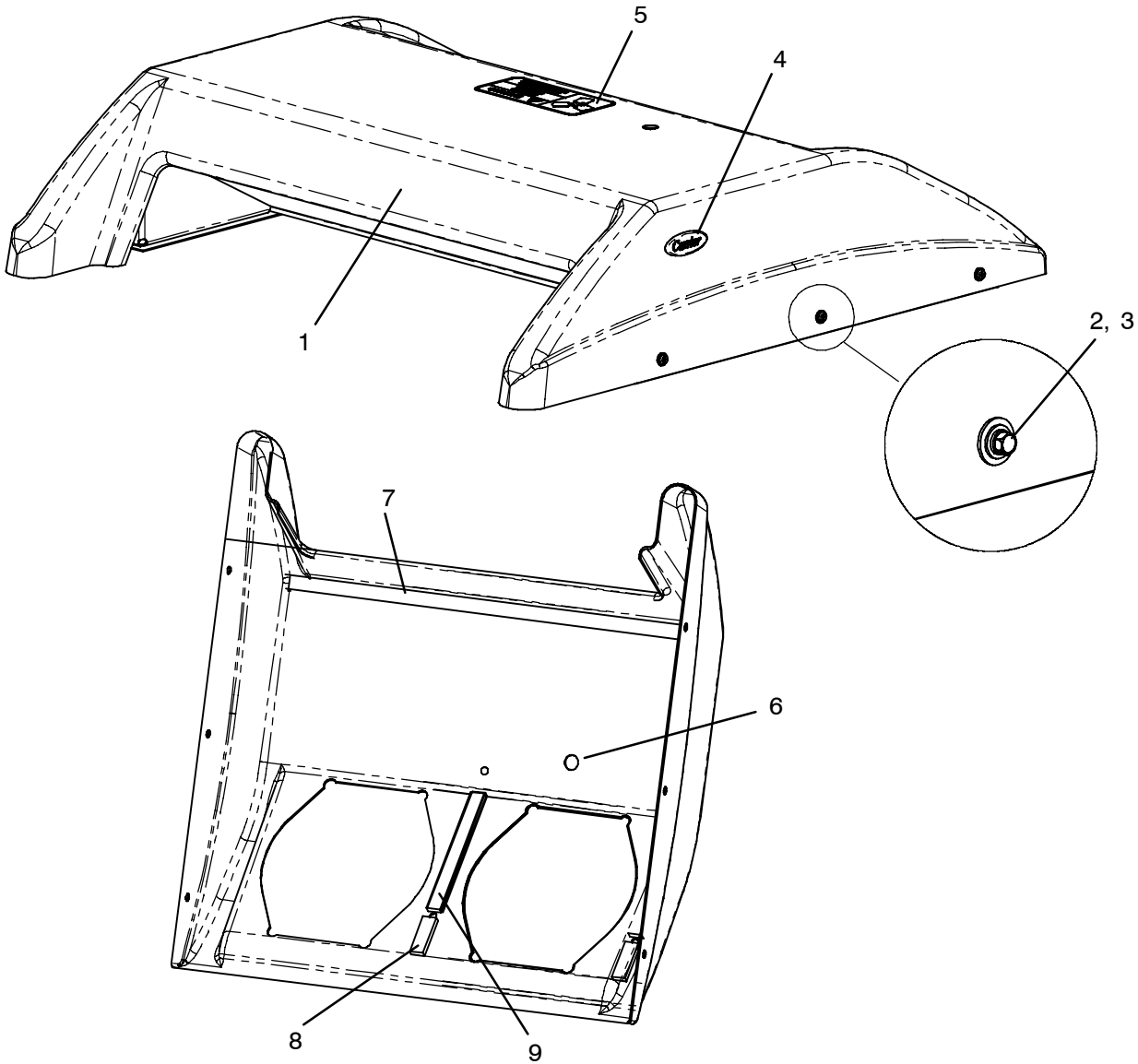
2.16.2 CONDENSER, 68KR2-101 SERIES - FRAME KIT WITH FEED-THRU PLATE

KIT #77-62170-02



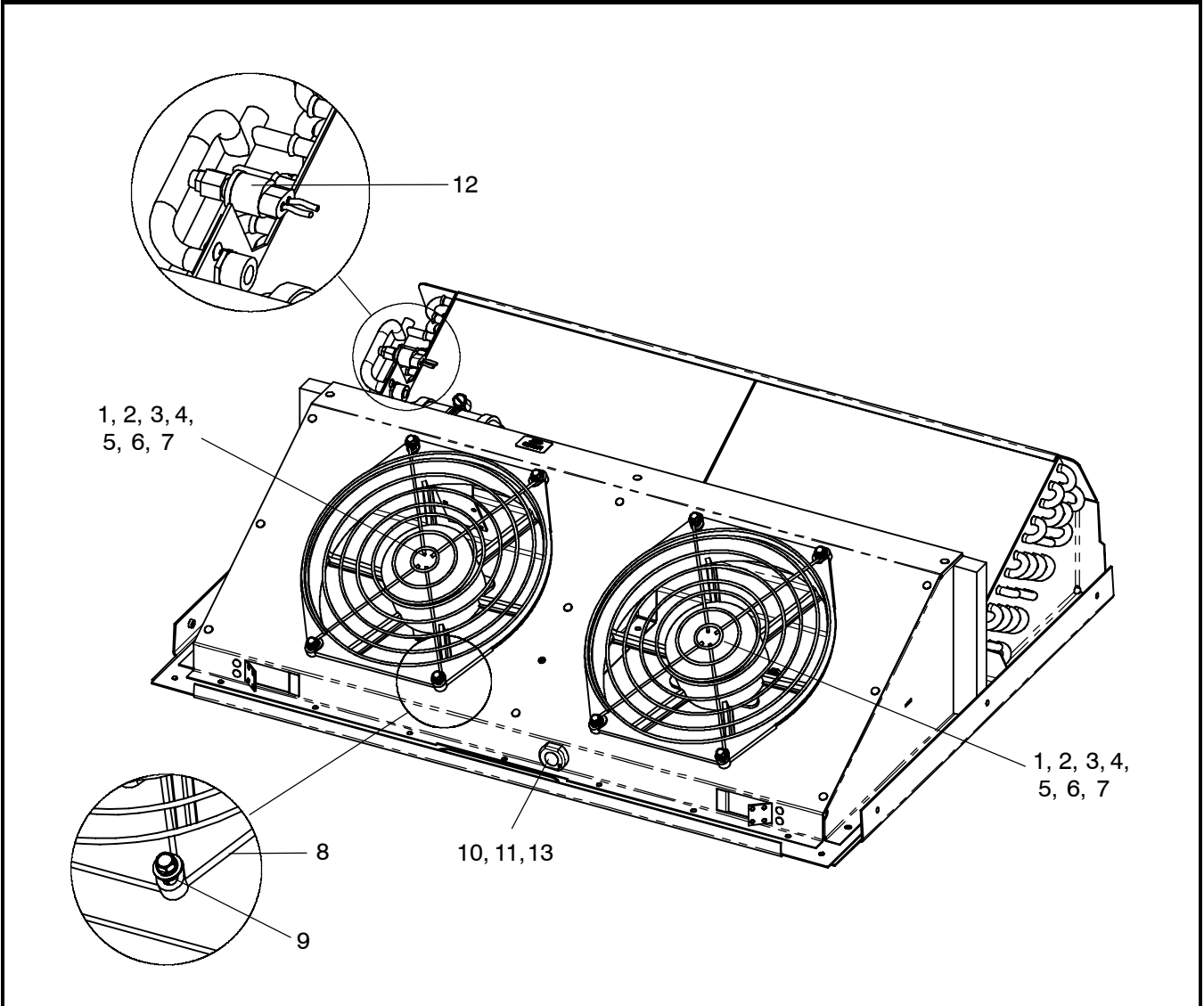
Item	Part Number	Description	Qty
19	42-62127-00	Insulation, Foam, Feed-Thru Plate Assembly	1
20	67-62007-04	Bracket, Unit Mounting	1
21	67-62007-05	Bracket, Unit Mounting	1
22	68-63656-00	Plate, Block-Off, Panel Assembly	1
23	34-00300-06	Screw, Cap, Hex Head, 1/4-20 x 0.75 Inches Long, Zinc	6
24	34-00368-11	Washer, Splitlock, 1/4 Inch, Zinc	6
25	58-62172-00	Adapter, Terminal, Male, 1/2 Gray	1
26	22-00118-02	Nut, Lock, 1/2 Inch Conduit	1
27	81-62145-00	Plate Assembly, Connection, Feed-Thru	1
N/S	58-62025-12	Hose Assembly, Ref., #8, 1/2 F.O.R. Straight x 1/2 F.O.R. Straight	1
N/S	58-62025-13	Hose Assembly, Ref., #10, 1/2 F.O.R. 90 Degree x 1/2 F.O.R. Straight	1

2.16.3 CONDENSER, 68KR2-101 SERIES - COVER KIT - 77-62171-00, -02 & -05



Item	Part Number	Description	Qty
1	58-62163-00	Cover, KR2, Flat (77-62171-00)	1
	58-62163-01	Cover, KR2, Radius (77-62171-02)	1
	58-62127-00	Cover, KR2, Standard Radius (77-62171-05)	1
2	34-62011-00	Screw, Hex Head, Sems, W/Lock Washer, 1/4-20 X 1.00 Inch Long, SST	7
3	34-00829-11	Washer, Plain, 1/4 Inch, SST	7
4	AC022-289	Decal, Carrier	2
5	62-62045-00	Label, Warning, Fan Blades & Disconnect Power	1
6	AC801-342	Plug, Clear, 1.00 Inch Diameter Hole	1
7	42-00221-19	Gasket, Foam, 1.00 Thick x .38 Wide x 34.25 Long, Adhesive Backed	1
8	42-00221-21	Gasket, Foam, 1.00 Thick x .38 Wide x 2.80 Long, Adhesive Backed	2
9	42-00221-20	Gasket, Foam, 1.00 Thick x .38 Wide x 9.32 Long, Adhesive Backed	2

2.16.4 CONDENSER, 68KR2-101 SERIES - ELECTRICAL KIT - 77-62172-00, -02, -04 & -06



Item	Part Number	Description	Qty
1	AC401-110	Fan & Motor Assembly, 12 VDC, Includes:	2
2	54-50080-00Motor, Fan, 12 VDC	1
3	44-50024-00Clip, Fan Blade	1
1	54-00545-00	Fan & Motor Assembly, 24 VDC	2
	54-00545-03	Fan & Motor Assembly, 12 VDC With 15 Amp Fuse - Includes:	2
4	22-02338-02Holder, Fuse	1
5	22-02336-24Fuse, 15 Amp	1
1	54-00545-04	Fan & Motor Assembly, 24 VDC With 10 Amp Fuse - Includes:	2
6	22-02338-03Holder, Fuse	1
7	22-02336-23Fuse, 10 Amp	1
8	AC030-234	Guard, Fan, Condenser	2
9	34-62011-00	Bolt, Hex Head, Sems, W/Lock Washer, 1/4-20 X 1 Inch Long, SST	8
10	22-62235-00	Harness Assembly (KR-2)	1
11	66U1-3882	Wire Tie, Self-Locking, 7 Inch, Black	6
12	AC201-414	Switch, Pressure, 1/4 Inch Female Flare, (400-300 PSIG)	1
13	58-62019-00	Bushing, Harness, Strain Relief	1

2.16.5 CONDENSER, 68KR2-101 SERIES - PACKAGE KIT - 77-62173-00 & -02

Item	Part Number	Description	Qty
N/S	58-62025-10	Hose Assembly, Ref., #8, 1/2 F.O.R. Straight x 1/2 F.O.R. 90 Degree, KR2	1
N/S	58-62025-11	Hose Assembly, Ref., #10, 1/2 F.O.R. 90 Degree x 1/2 F.O.R. 90 Degree, KR2	1
N/S	81-62138-00	Plate Assembly, Connections, Feed-Thru, Radius Roof	1
N/S	81-62138-01	Plate Assembly, Connections, Feed-Thru, Flat Roof	1
N/S	67-62007-02	Bracket, Unit Mounting	1
N/S	67-62007-03	Bracket, Unit Mounting	1
N/S	34-00300-08	Screw, Cap, Hex Head, 1/4-20 x 1.00 Inch Long, Zinc	6
N/S	34-00588-11	Washer, PLain, 1/4, SAE, .065 Thick	6
N/S	34-00368-11	Washer, Split Lock, 1/4 Inch, Zinc	6
N/S	64-01213-00	Tape, Gummed, Reinforced, 3.00 Inches Wide x The Foot	4
N/S	02-62001-01	Sealant, Adhesive Caulk, White (10.3 Ounce Tube)	1
N/S	34-01295-18	Rivet, Pop, 3/16, Aluminum	4
N/S	22-01451-00	Butt Splice, Insulated, Red (16-22 AWG)	2
N/S	AC202-207	Tubing, Heat Shrink, 3/4 Inch I.D. W/Adhesive (Range: #1-8 AWG)	3
N/S	22-01292-03	Butt Splice, Non-Insulated (#8 AWG)	1

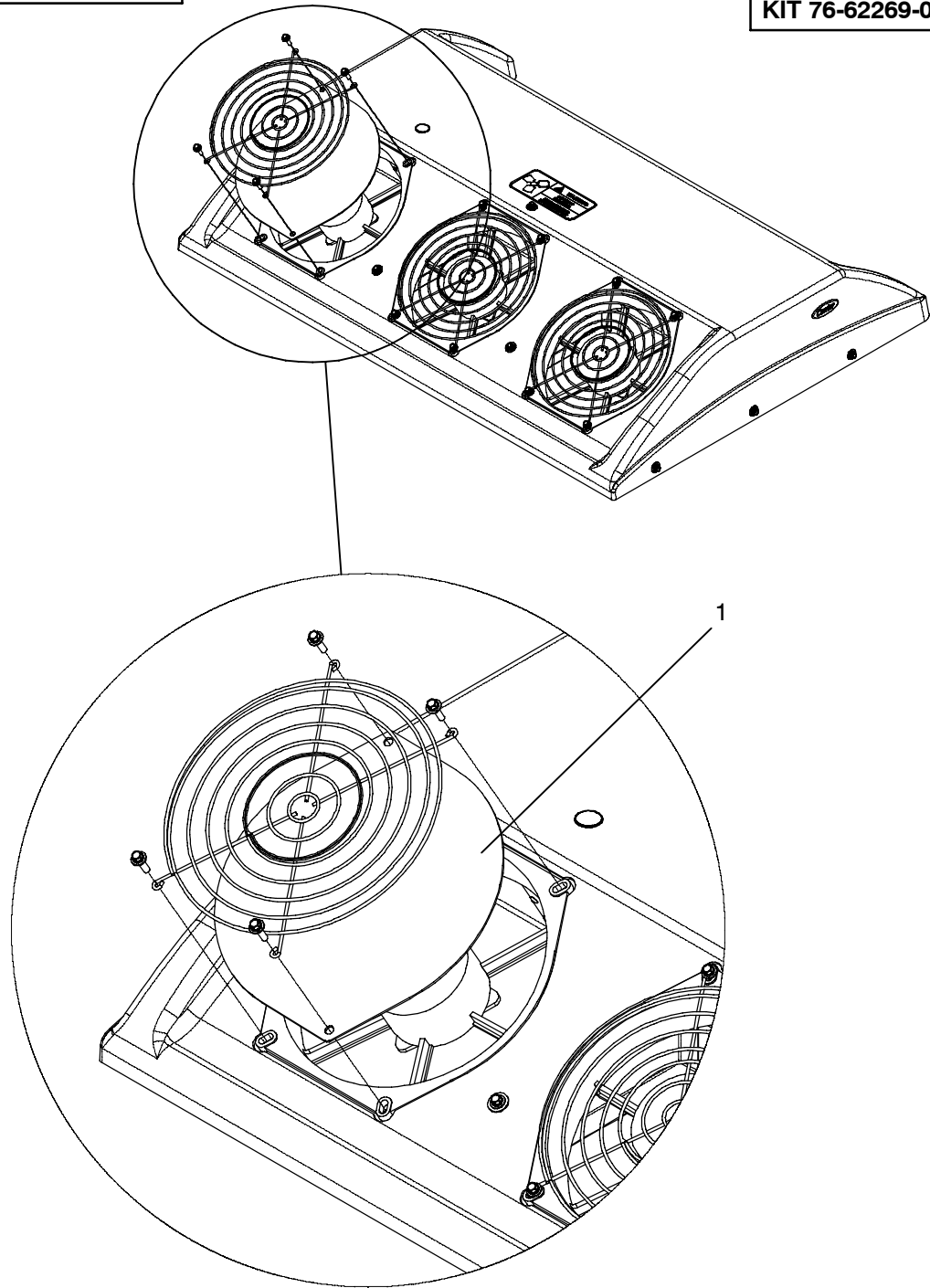
2.16.6 CONDENSER, 68KR2-101 SERIES - PACKAGE KIT - 77-62173-04

Item	Part Number	Description	Qty
N/S	64-01213-00	Tape, Gummed, Reinforced, 3.00 Inches Wide x The Foot	4
N/S	02-62001-01	Sealant, Adhesive Caulk, White (10.3 Ounce Tube)	1
N/S	22-01451-00	Butt Splice, Insulated, Red (16-22 AWG)	2
N/S	AC202-207	Tubing, Heat Shrink, 3/4 Inch I.D. W/Adhesive (Range: #1-8 AWG)	3
N/S	22-01292-03	Butt Splice, Non-Insulated (#8 AWG)	1

2.16.7 WINTERGUARD KITS - KR2/3 - (76-62269-00 & -01)

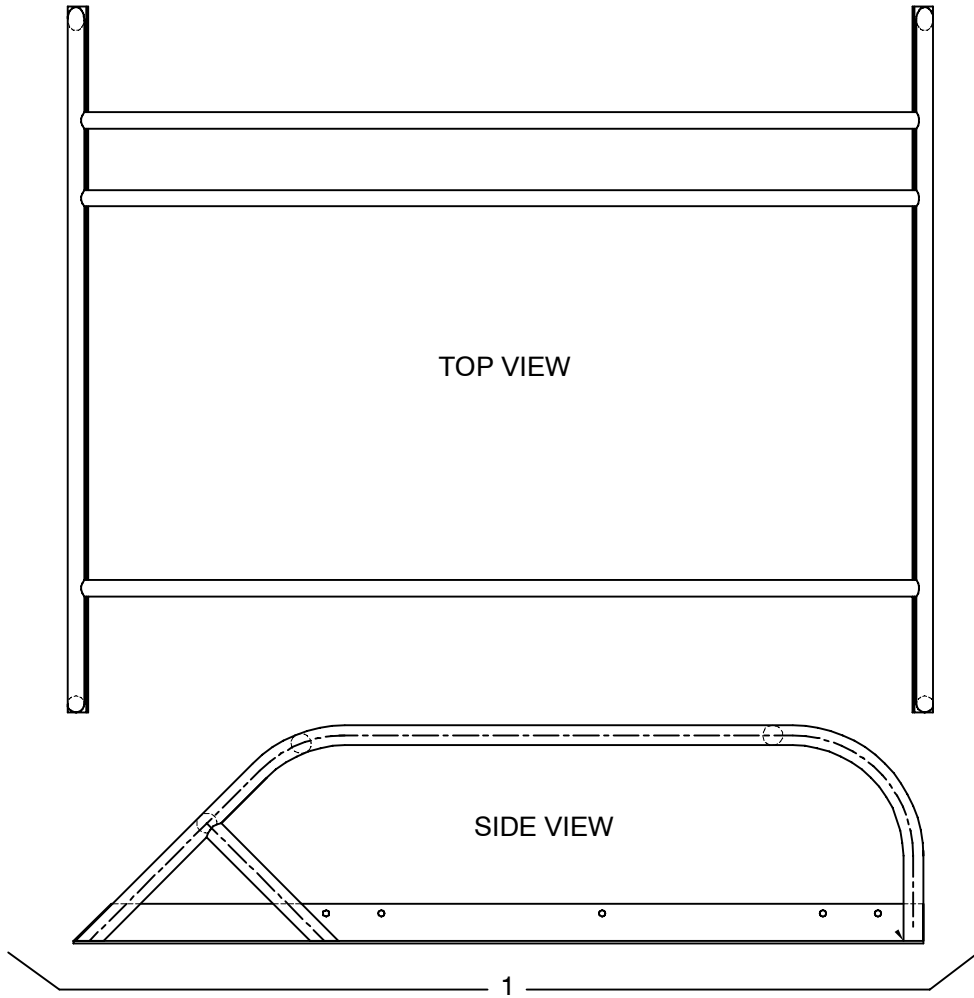
INSTALLATION DRAWING

KIT 76-62269-00 KR2
KIT 76-62269-01 KR3



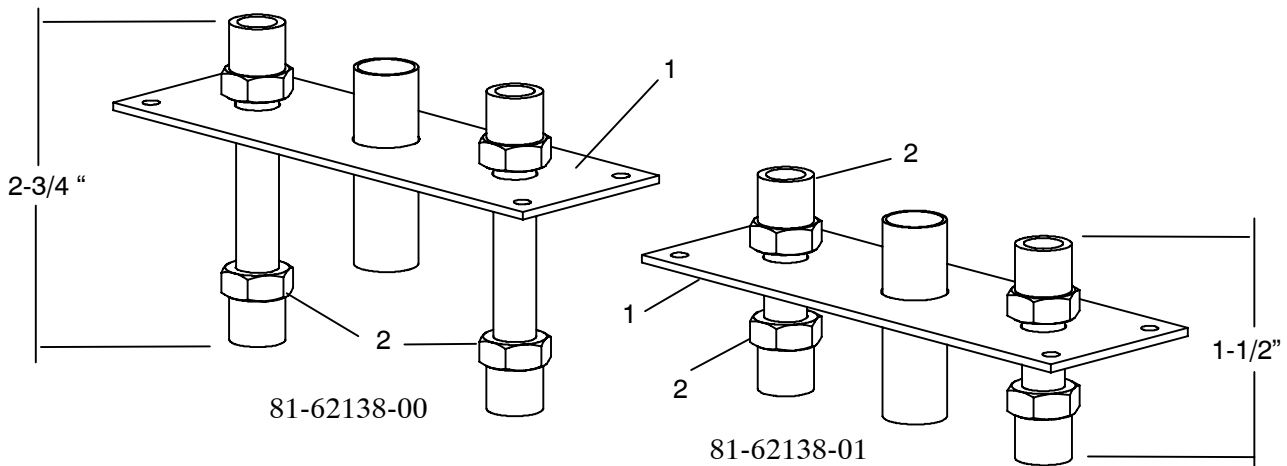
Item	Part Number	Description	Qty
1	AC033-145	Winterguard Cover, KR2/KR3	2 / 3

2.17 BRUSH GUARD, CONDENSER, KR2/3 AND CM-7/11



Item	Part Number	Description	Qty
1	86-62150-00	Brush Guard, KR3 & CM-7 (49.68 Inch Wide)	1
	86-62150-01	Brush Guard, KR2 & CM-11 (37.43 Inch Wide)	1

2.18 FEED-THROUGH PLATE ASSEMBLIES - ROOFTOPS

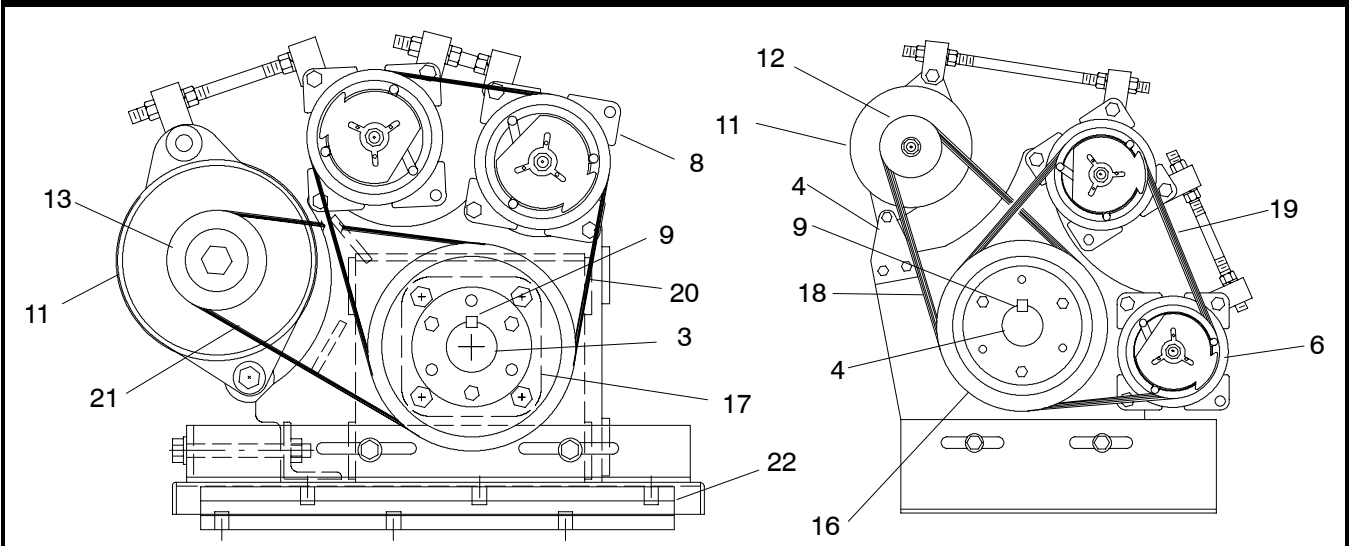


Item	Part Number	Description	Qty
1	68-63602-00	Plate, Brass	1
2	40-62032-02	Nut, 3/4-16 x1/2 OD	4

SECTION 3 - POWER PACKS & AUXILIARY DRIVE MODULES

SECTION 3.1 AUXILIARY DRIVE MODULES

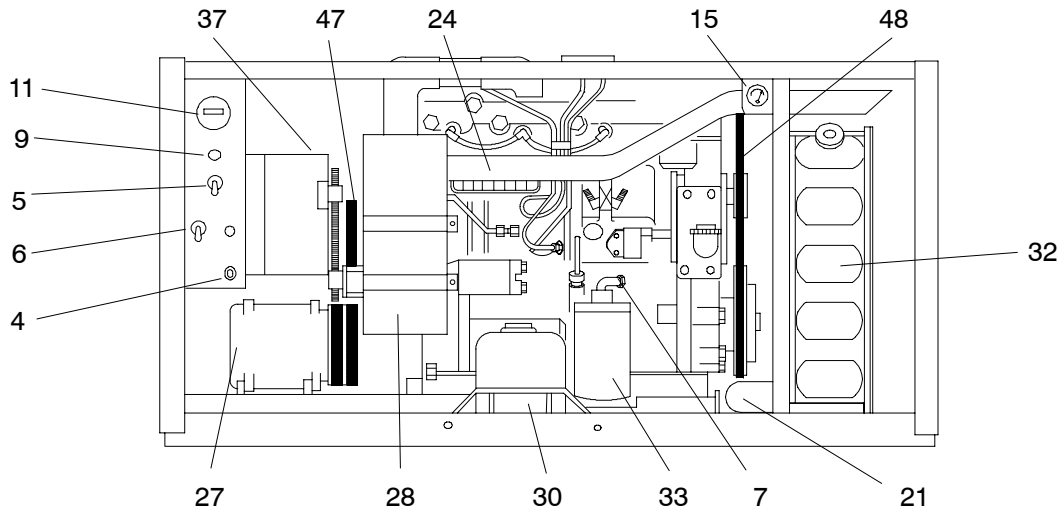
3.1.1 AUXILIARY DRIVE MODULE, (ADM)



Item	Part Number	Description	Qty
1	AC053-002	Assembly, Auxiliary Drive Module-1, (Without Alternator)	1
2	AC053-003	Assembly, Auxiliary Drive Module-1A, (With Alternator)	1
3	AC053-420	Assembly, Auxiliary Drive Module-4, (Thomas), Less Alternator	1
4	AC053-010	Shaft, 1-7/16 Inch Diameter X 14.250 Inch Long	1
5	AC053-382	Shaft, 1-7/16 Inch Diameter X 15.781 Inch Long	1
6	AC053-024	Bracket, Alternator Mounting	2
7	AC501-271A	Compressor, SD-709, 12VDC, R-12	2
	AC501-267	Compressor, SD-709, 12VDC, R-134a	2
8	AC501-266	Compressor, TM-15, 12VDC, R-134a	2
9	AC501-317	Key, .375 X .375 X 4 Inch	1
10	AC501-401	Regulator, With Harness	1
11	AC501-403	Alternator, 165 AMP	REF
	AC501-405	Alternator, 100 AMP	REF
	AC501-409	Alternator, 130 AMP	REF
12	AC501-407	Pully, Alternator, (2) 1/2 Grooves, 2.69 Inch Diameter	1
13	AC501-439	Pully, Alternator, (2) "A" Grooves, 3.04 Inch Diameter, (Leese-Neville)	1
14	AC601-306	Bushing, SH, 1-7/16 Inch	REF
	AC601-324	Bushing, SDS, 1-7/16 Inch	REF
	AC601-334	Bushing, SK, 1-7/16 Inch	REF
15	AC601-332	Sheave, 2 Groove, 5 V 6.3 Inch OD SK	REF
	AC601-333	Sheave, 3 Groove, 3A 7.25 OD Inch SK	1
	AC601-340	Sheave, 2 Groove, 2B 6.3 Inch OD SDS	REF
	AC601-341	Sheave, 2 Groove, 3v 5.6 Inch OD SH	REF
16	AC601-335	Flange, Bearing, 1-7/16 Inch	2
17	AC601-348	Bearing, Type E Flange	2
18	AC601-429	Belt, Alternator	1
19	AC602-469	Belt, Compressor	2
20	AC602-432	Belt, Compressor	2
21	AC602-412	Belt, Alternator	1
22	AC053-232	Mount, Shock	2

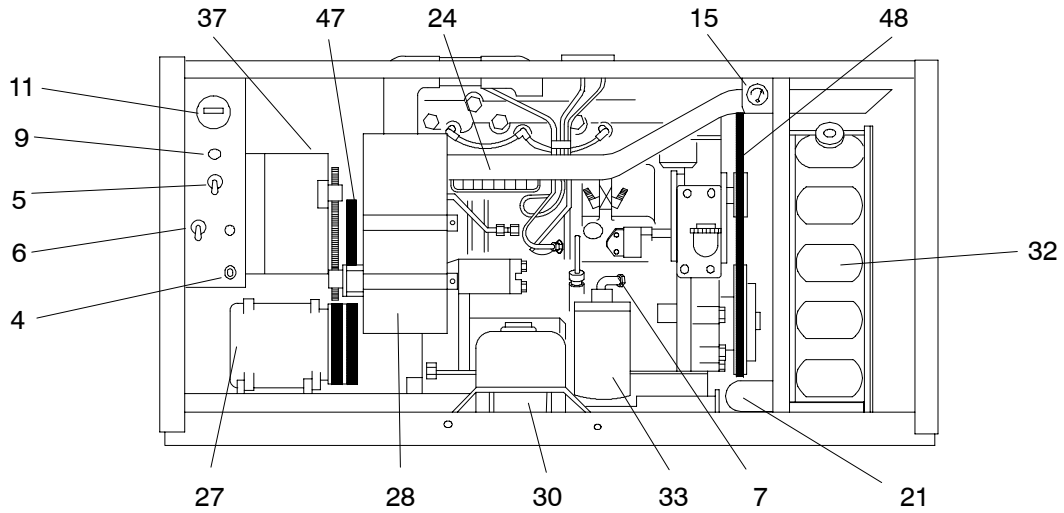
SECTION 3.2 DIESEL & GAS POWER PACKS

3.2.1 DIESEL POWERPAK, CUMMINS DM-1 & DM-2



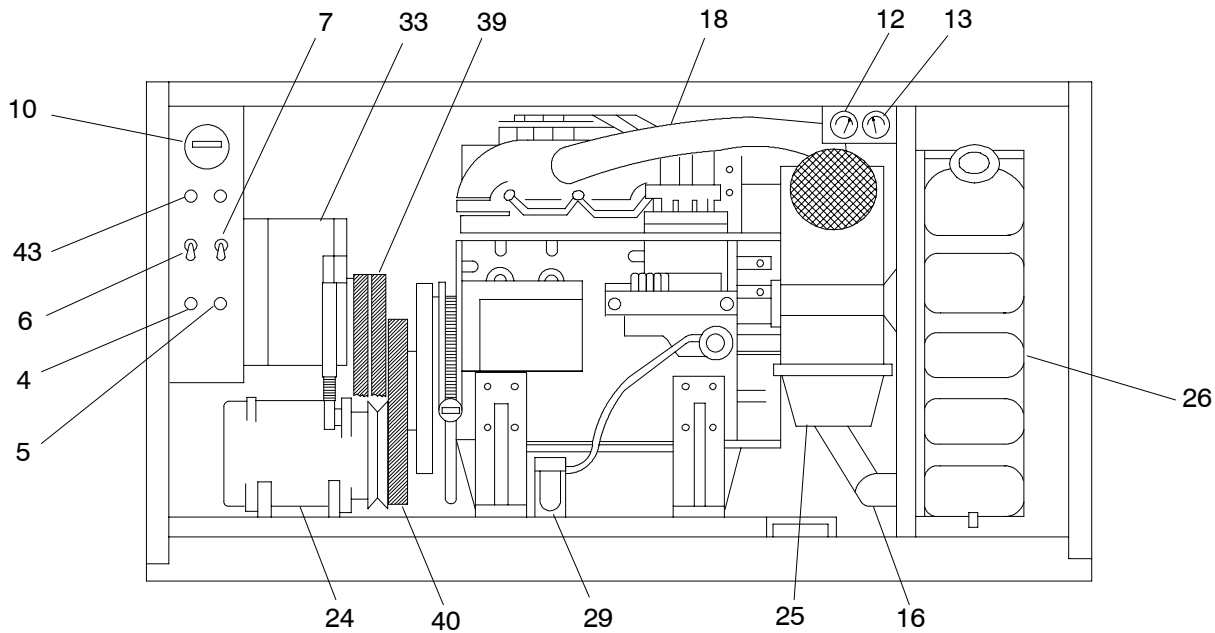
Item	Part Number	Description	Qty
1	AC201-100	Breaker, Circuit, 20 AMP	REF
2	AC201-101	Breaker, Circuit, 30 AMP	REF
3	AC201-102	Breaker, Circuit, 50 AMP	REF
4	AC201-109	Breaker, Circuit, .5 AMP	1
5	AC202-301	Switch, Toggle, DPDT, (ON-OFF-ON)	1
6	AC201-302	Switch, Toggle, SPDT, (ON-OFF-MOM)	1
7	AC201-403	Switch, Oil Pressure	1
8	AC201-600	Diode, In-Line, 6 AMP	1
9	AC201-601	Light, LED, Red	2
10	AC201-605	Light, Service	1
11	AC201-700	Hourmeter	1
12	AC201-701	Gauge, Voltmeter, (Optional)	1
13	AC201-702	Gauge, Oil Pressure, (Optional)	1
14	AC201-703	Sender, Oil Pressure, (Optional)	1
15	AC201-706	Gauge, Water Temperature (Includes: 3/8 Inch NPT Adapter)	1
16	AC201-800	Solenoid, 12 VDC	REF
17	AC201-806	Relay, 40 AMP, 12 VDC	REF
18	AC201-903	Board, Terminal, 6 Position	1
19	AC201-925	Board, Terminal, 10 Position	1
20	AC301-201	Hose, Fuel, 1/4 Inch Inside Diameter X Foot	6
21	AC201-202	Hose, Radiator, Lower	1
22	AC301-209	Hose, Fuel, 5/15 Inch Inside Diameter X Foot	3
23	AC301-211	Hose, Water Pump	1
24	AC301-215	Hose, Air Cleaner, Upper, X Foot	2
25	AC301-220	Hose, Radiator, Upper	1
26	AC401-102	Blade, Fan, Plastic, 14 Inch	1
27	AC501-271A	Compressor, SD-709, 12 VDC, O-Ring	A/R
28	AC501-305	Air Cleaner	1

3.2.1 DIESEL POWERPAK, CUMMINS DM-1 & DM-2 (Continued)



Item	Part Number	Description	Qty
29	AC501-310	Pad, Radiator	4
30	AC501-314	Bottle, Coolant Recovery	1
31	AC501-315	Filter, Fuel, Inline, (Optional)	1
32	AC501-323	Radiator	1
33	AC501-325	Filter, Oil	1
34	AC501-328	Filter, Fuel	1
35	AC501-330	Air Cleaner, Electric, (Cummins-Fleetguard #AF435KM)	1
36	AC501-332	Filter, Fuel, With Water Separator	1
37	AC501-403	Alternator, 165 AMP	REF
	AC501-405	Alternator, 100 AMP	REF
	AC501-413	Alternator, 130 AMP	REF
38	AC501-406	Regulator	1
39	AC501-407	Pulley, Alternator, (2) 1/2 Inch Grv., 2.69 Inch Dia. (100 AMP)	REF
	AC501-411	Pulley, Alternator, (2) 1/2 Inch Grv., 3.25 Inch Dia. (165 AMP)	REF
40	AC501-500	Pump, Fuel, 12 VDC	1
41	AC601-100	Plate, Adapter, Compressor	A/R
42	AC601-319	Bushing, SD-1-7/16 Inch	REF
43	AC601-321	Sheave, 2 Groove	REF
44	AC601-324	Bushing, Sheave	REF
45	AC601-330	Sheave, 3 Groove, 5.6 Inch Diameter	REF
46	AC601-423	Belt, Compressor, DM-2 Only	1
47	AC601-473	Belt, Alternator & Compressor	2
48	AC601-477	Belt, Water Pump	1
49	AC601-500	Idler, Single Groove	A/R
50	AC801-601	Mount, Shock	4

3.2.2 DIESEL POWERPAK, KUBOTA, DM-1 & DM-2

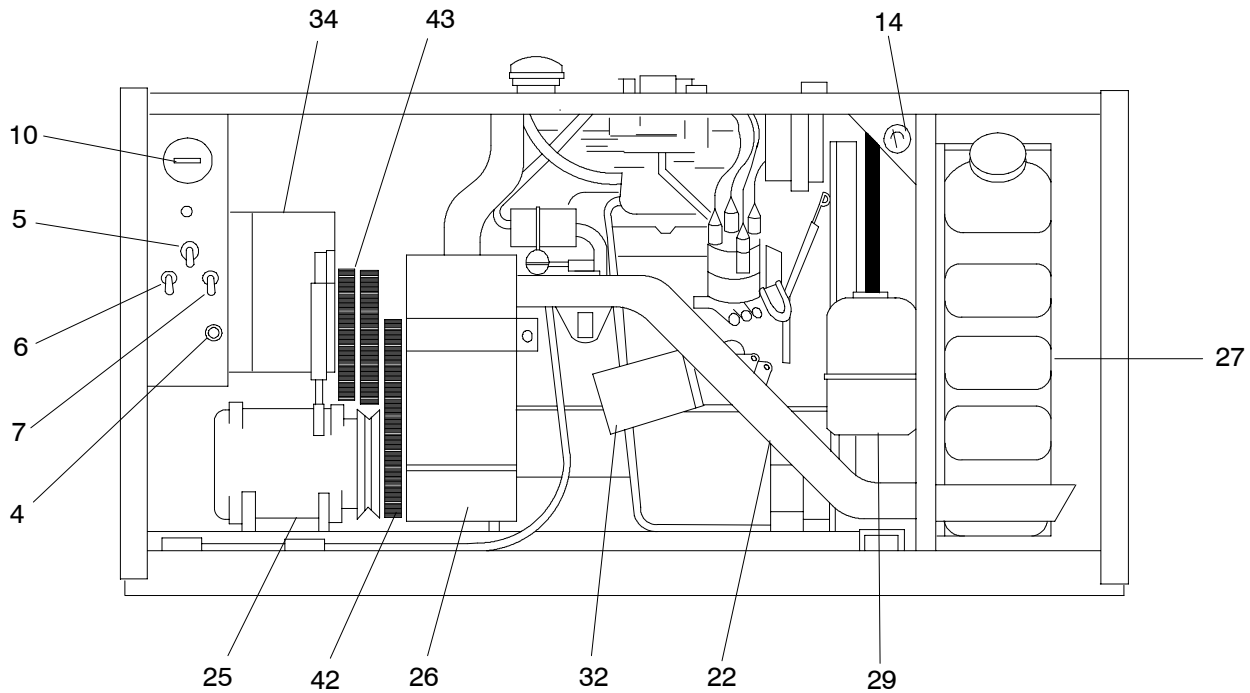


Item	Part Number	Description	Qty
1	AC201-100	Breaker, Circuit, 20 AMP	REF
2	AC201-101	Breaker, Circuit, 30 AMP	REF
3	AC201-102	Breaker, Circuit, 50 AMP	REF
4	AC201-113	Breaker, Circuit, 20 AMP, Thermal Reset	1
5	20-44-1659	Switch, Safety	1
6	AC202-301	Swiotch, Toggle, DPDT, (ON-OFF-ON)	1
7	AC201-302	Swiotch, Toggle, SPDT, (ON-OFF-MOM)	1
8	AC201-403	Switch, Oil Pressure	1
9	AC201-600	Diode, In-Line, 6 AMP	1
10	AC201-700	Hourmeter	2
11	AC201-701	Gauge, Voltmeter, (Optional)	1
12	AC201-709	Gauge, Oil Pressure	1
13	AC201-706	Gauge, Water Temperature (Includes: 3/8 Inch NPT Adapter)	1
14	AC201-806	Relay	REF
15	AC201-925	Board, Terminal, 10 Position	1
16	AC301-208	Hose, Radiator, Upper & Lower	2
17	AC301-201	Hose, Fuel, 1/4 Inch Inside Diameter X Foot	4
18	AC301-209	Hose, Fuel, 5/15 Inch Inside Diameter X foot	7
19	AC301-214	Hose, Heater, 1 x 4-1/2 Inches	1
20	AC301-215	Hose, Air Cleaner, Inlet & Outlet X Foot	2
21	AC301-210	Hose, Fuel Return, 3/16 Inch Inside Diameter X Foot	1.5
22	AC301-200	Hose, Drain, Black Vinyl, 1/2 Inch X 50 Feet Long	1
23	AC401-102	Blade, Fan, Plastic, 14 Inch	1
24	AC501-271A	Compressor, SD-709, 12 VDC, O-Ring	A/R
25	AC501-305	Air Cleaner	1
26	AC501-323	Radiator	1
27	AC501-310	Pad, Radiator	4
28	AC501-314	Bottle, Coolant Recovery	1

3.2.2 DIESEL POWERPAK, KUBOTA, DM-1 & DM-2 - Continued

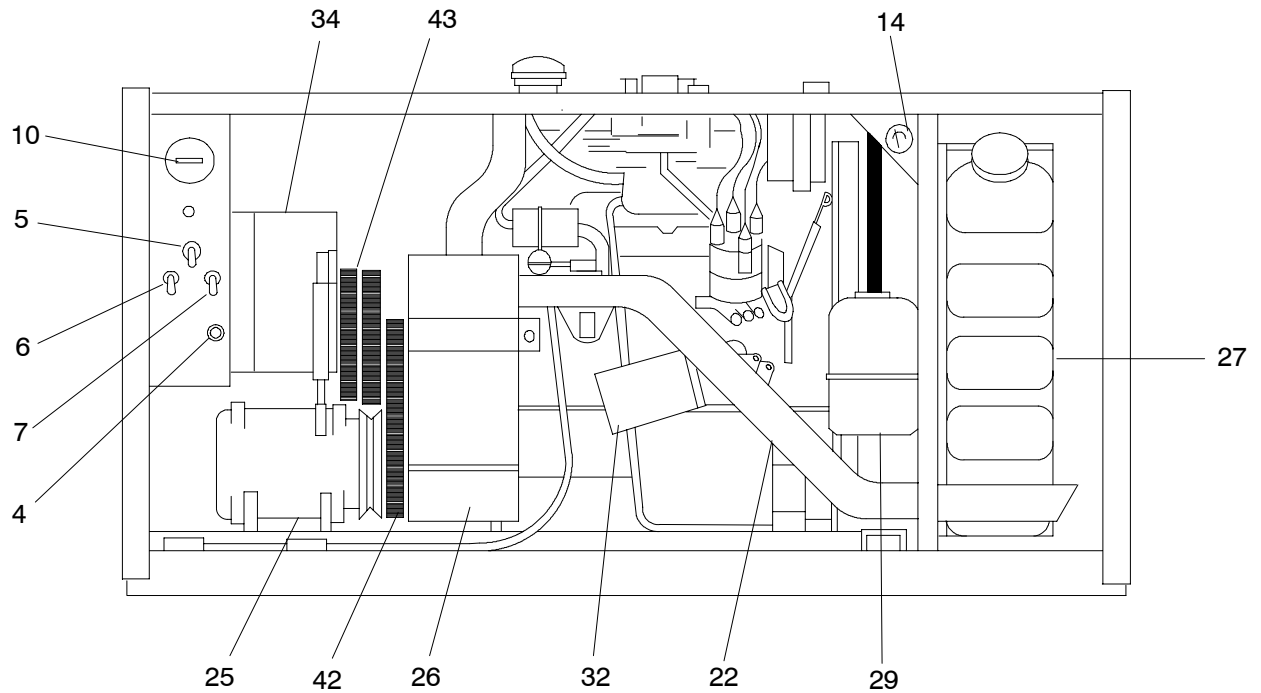
Item	Part Number	Description	Qty
29	AC501-315	Filter, Fuel, Inline	1
30	AC501-321	Cap, Oil Fill	1
31	AC501-326	Filter, Oil, (Kubota)	1
32	AC501-330	Element, Air Cleaner	1
33	AC501-400	Alternator, 130 AMP, 12 VDC	1
34	AC501-401	Regulator, 12 VDC, With Harness	1
35	AC061-283	Pulley, Alternator, (2) 1/2 Inch Grooves, 3.25 Inch, (165 AMP)	1
36	AC501-500	Pump, Fuel, 12 VDC	1
37	AC601-318	Sleeve, 4.2 X 3A X SD	1
38	AC601-319	Bushing, 1-7/16 SD	1
39	AC601-429	Belt, Compressor/Alternator	2
40	AC602-406	Belt, Compressor, DM-2 Only	1
41	AC601-500	Idler, Single Groove, DM-2 Only	1
42	AC801-601	Mount, Shock	1
43	AC201-601	Light, LED, Red, 12 VDC	2
44	AC501-334	Controller, Glow Plug	1
45	AC501-335	Cover, Thermostat Gasket	1

3.2.3 GAS POWERPAK, GM-1 & GM-2



Item	Part Number	Description	Qty
1	AC201-100	Breaker, Circuit, 20 AMP	REF
2	AC201-101	Breaker, Circuit, 30 AMP	REF
3	AC201-102	Breaker, Circuit, 50 AMP	REF
4	AC201-109	Breaker, Circuit, .5 AMP	1
5	AC202-301	Switch, Toggle, DPDT, (ON-OFF-ON)	1
6	AC201-302	Switch, Toggle, SPDT, (ON-OFF-MOM)	1
7	AC201-303	Switch, Toggle, SPST, (OFF-MOM)	1
8	AC201-403	Switch, Oil Pressure	1
9	AC201-600	Diode, In-Line, 6 AMP	1
10	AC201-700	Hourmeter	1
11	AC201-701	Gauge, Voltmeter, (Optional)	1
12	AC201-702	Gauge, Oil Pressure	1
13	AC201-703	Sender, Oil Pressure	1
14	AC201-707	Switch, Water Temperature Gauge	1
15	AC201-800	Solenoid, Contactor, 12 VDC	REF
16	AC201-805	Solenoid, Choke	1
17	AC201-806	Relay	REF
18	AC201-903	Board, Terminal, 6 Position	1
19	AC201-925	Board, Terminal, 10 Position	1
20	AC301-208	Hose, Radiator, Upper & Lower	2
21	AC301-209	Hose, Fuel, 5/15 Inch Inside Diameter X foot	9
22	AC301-215	Hose, Air Cleaner, Inlet & Outlet X Foot	3
23	AC301-218	Hose, Heater, 5/8 Inch ID X Foot	3
24	AC401-102	Blade, Fan, Plastic, 14 Inch	1
25	AC501-271A	Compressor, SD-709, 12 VDC, O-Ring	A/R
26	AC501-305	Air Cleaner	1

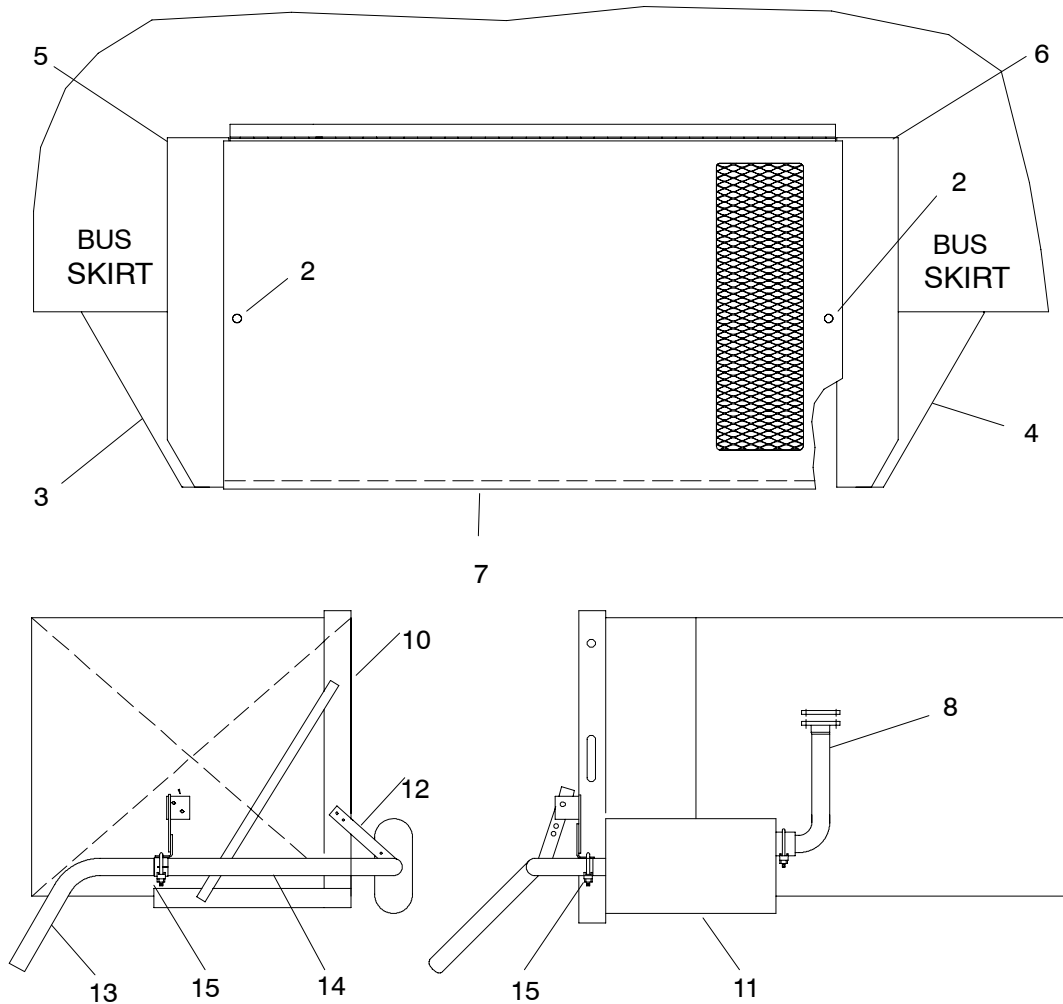
3.2.3 GAS POWERPAK, GM-1 & GM-2 - Continued



Item	Part Number	Description	Qty
27	AC501-308	Radiator	1
28	AC501-310	Pad, Radiator	4
29	AC501-314	Bottle, Coolant Recovery	1
30	AC501-315	Filter, Fuel, Inline	1
31	AC501-321	Cap, Oil Fill	1
32	AC501-326	Filter, Oil	1
33	AC501-330	Element, Air Cleaner	1
34	AC501-403	Alternator, 165 AMP, 12 VDC	REF
35	AC501-404	Regulator	1
36	AC501-405	Alternator, 100 AMP	REF
37	AC501-407	Pulley, Alternator, (2) 1/2 Inch Grooves, 2.69 Inch, (100 AMP)	REF
38	AC501-411	Pulley, Alternator, (2) 1/2 Inch Grooves, 3.25 Inch, (165 AMP)	REF
39	AC501-500	Pump, Fuel, 12 VDC	1
40	AC601-318	Sleeve, 4.2 X 3A X SD	1
41	AC601-319	Bushing, 1-7/16 SD	1
42	AC601-429	Belt, Compressor, GM-2 Only	1
43	AC602-430	Belt, Compressor/Alternator	2
44	AC601-447	Belt, Water Pump	1
45	AC601-500	Idler, Single Groove, GM-2 Only	1
46	AC801-601	Mount, Shock	1

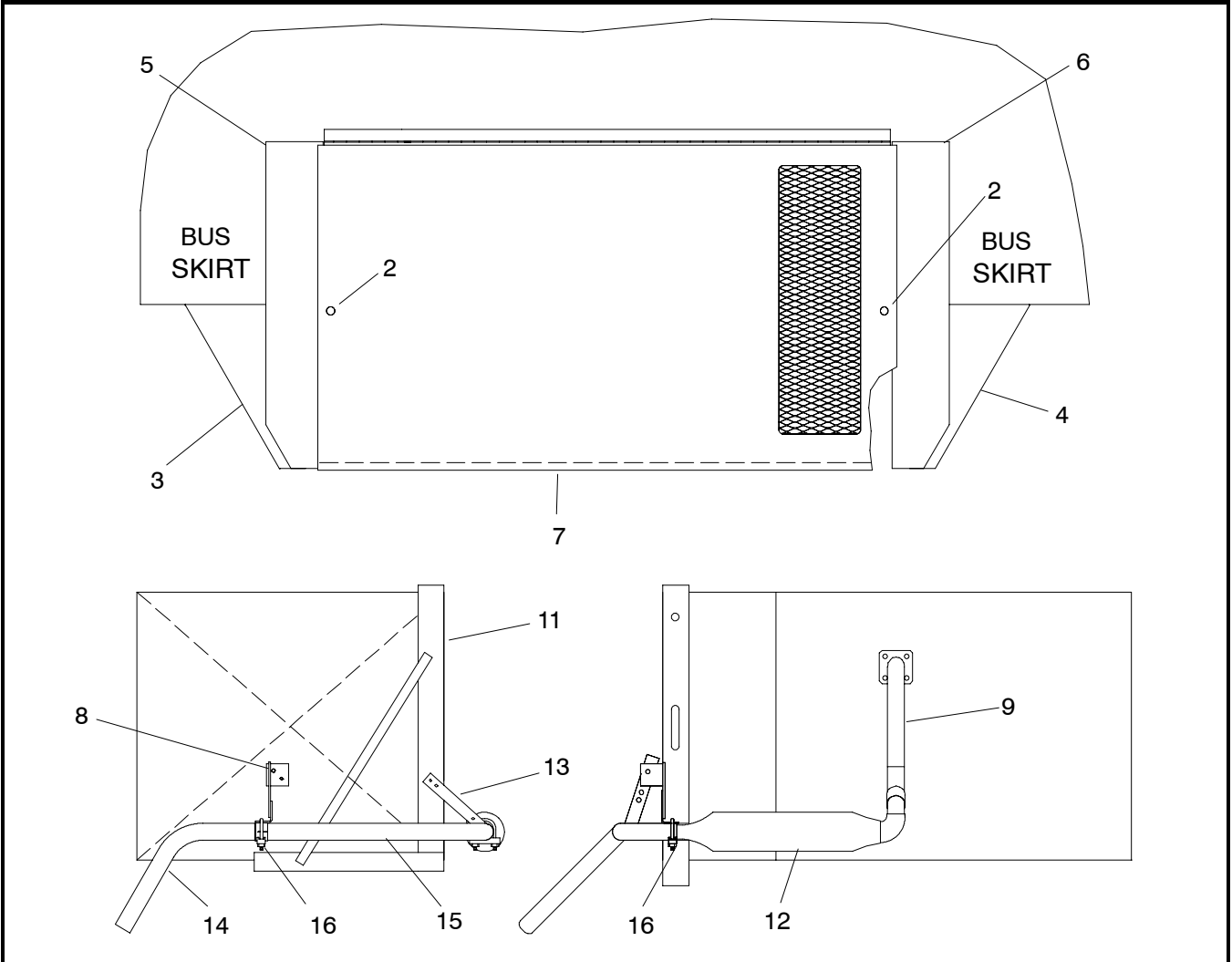
SECTION 3.3 INSTALLATION ACCESSORIES

3.3.1 INSTALLATION PIECES, DM-1, DM-2, CUMMINS DIESEL



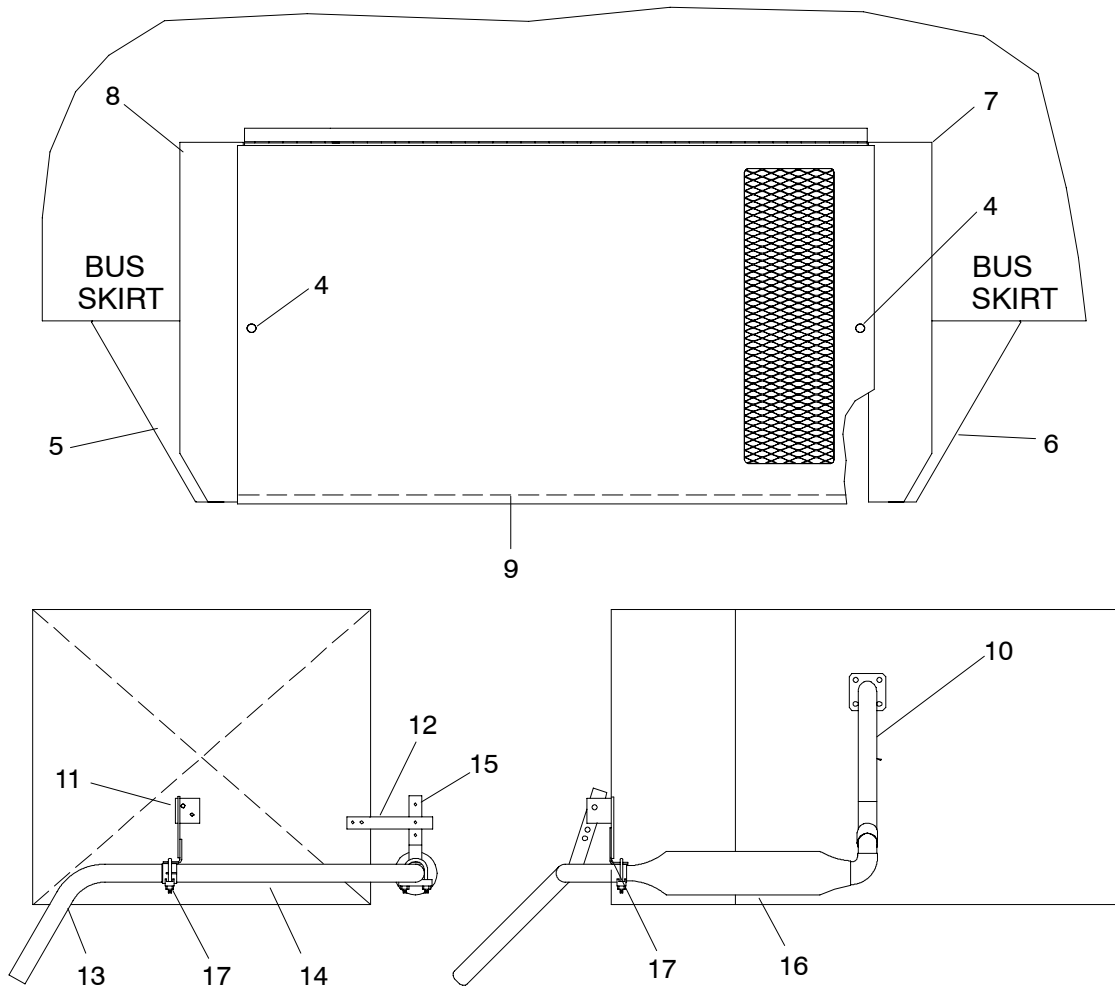
Item	Part Number	Description	Qty
1	AC061-092	Angle, Chassis Bolt	4
2	AC701-503	Latch, Door	2
3	AC063-021	Trim, Door, Left	1
4	AC063-022	Trim, Door, Right	1
5	AC063-023	Stiffner, Door Cut Out, Left	1
6	AC063-024	Stiffner, Door Cut Out, Right	1
7	AC063-073	Assembly, Door	1
8	AC063-074	Weldment, Exhaust	1
9	AC063-087P	Weldment, Hanger, Left	1
10	AC063-088P	Weldment, Hanger, Right	1
11	AC501-318	Muffler	1
12	AC501-320	Hanger, Exhaust	2
13	AC061-183	Pipe, EXhaust, 45°	1
14	AC061-184	Pipe, Exhaust, 90°	1
15	AC701-212	Clamp, Muffler, 1-1/2 Inch	3
16	AA06BS337	Bolt, Hex head, 5/8-11 X 5 Inch	4
17	34-01279-17	Washer, Flat, Structural, 5/8 Inch	4
18	34-00361-17	Nut, Hex, Lock, (ESNA), 5/8-11	4

3.3.2 INSTALLATION PIECES, DM-1, DM-2, KUBOTA DIESEL



Item	Part Number	Description	Qty
1	AC061-092	Angle, Chassis Bolt	4
2	AC701-503	Latch, Door	2
3	AC063-021	Trim, Door, Left	1
4	AC063-022	Trim, Door, Right	1
5	AC063-023	Stiffner, Door Cut Out, Left	1
6	AC063-024	Stiffner, Door Cut Out, Right	1
7	AC063-073	Assembly, Door	1
8	AC061-180P	Angle, Exhaust Hanger	1
9	AC061-189P	Weldment, Exhaust	1
10	AC063-087P	Weldment, Hanger, Left	1
11	AC063-088P	Weldment, Hanger, Right	1
12	AC061-185	Weldment, Muffler	1
13	AC501-320	Hanger, Exhaust	2
14	AC061-183	Pipe, EXhaust, 45°	1
15	AC061-184	Pipe, Exhaust, 90°	1
16	AC701-212	Clamp, Muffler, 1-1/2 Inch	3
17	AA06BS337	Bolt, Hex head, 5/8-11 X 5 Inch	4
18	34-01279-17	Washer, Flat, Structural, 5/8 Inch	4
19	34-00361-17	Nut, Hex, Lock, (ESNA), 5/8-11	4

3.3.3 INSTALLATION PIECES, GM-1, GM-2, GAS

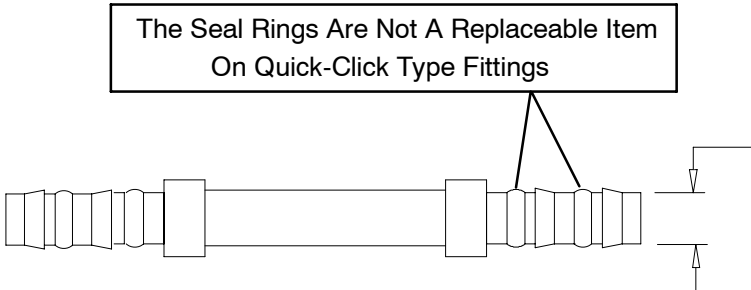


Item	Part Number	Description	Qty
1	AC060-133	Weldment, Hanger, Left	1
2	AC060-134	Weldment, Hanger, Right	1
3	AC061-092	Angle, Chassis Bolt	4
4	AC701-503	Latch, Door	2
5	AC063-021	Trim, Door, Left	1
6	AC063-022	Trim, Door, Right	1
7	AC061-169	Stiffner, Door Cut Out, Right	1
8	AC061-205	Stiffner, Door Cut Out, Left	1
9	AC061-215	Assembly, Door	1
10	AC060-176	Weldment, Exhaust Outlet	1
11	AC061-180P	Angle, Exhaust Hanger	1
12	AC061-181	Bar, Exhaust Hanger	1
13	AC061-183	Pipe, Exhaust, 45°	1
14	AC061-184	Pipe, Exhaust, 90°	1
15	AC501-320	Hanger, Exhaust	2
16	AC501-318	Muffler	1
17	AC701-212	Clamp, Muffler, 1-1/2 Inch	3
18	AA06-BS337	Bolt, Hex head, 5/8-11 X 5 Inch	4
19	34-01279-17	Washer, Flat, Structural, 5/8 Inch	4
20	34-00361-17	Nut, Hex, Lock, (ESNA), 5/8-11	4

SECTION 4 - FITTINGS & HOSE

SECTION 4.1 FITTINGS

4.1.1 HOSE & FITTING - SIZE DETERMINATION

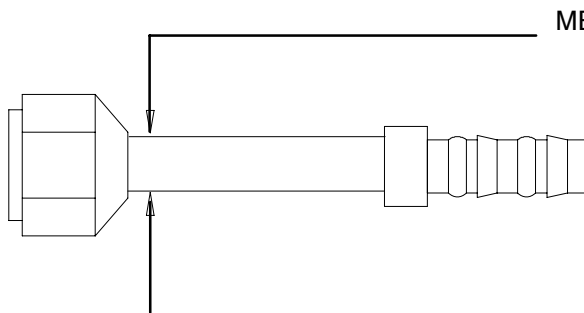


TO DETERMINE HOSE SIZE

MEASURE OUTER DIAMETER AT END OF FITTING, (NOT BARBS) TO DETERMINE HOSE SIZE (SEE CHART)

TUBE O.D.	HOSE SIZE
5/16" (7.93MM)	6
13/32" (10.5MM)	8
1/2" (12.7MM)	10
5/8" (16.1MM)	12
7/8" (22.22 MM)	16

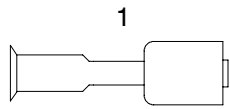
TO DETERMINE FITTING SIZE



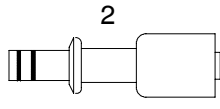
MEASURE OUTER DIAMETER JUST BEHIND NUT TO DETERMINE FITTING SIZE (SEE CHART)

TUBE O.D.	FITTING SIZE	THREAD SIZE
3/8"	6	5/8-18
1/2"	8	3/4-16
5/8"	10	7/8-14
3/4"	12	1 -1/16-14

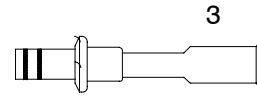
4.1.2 FITTINGS, FORD



FEMALE SPRING LOCK

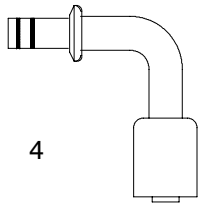


MALE SPRING LOCK

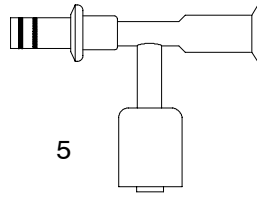


MALE-FEMALE SPRING LOCK

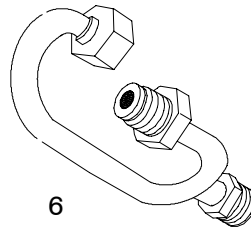
Item	Part Number	Description
1	AC301-493	Fitting, Straight, #6 Female, Spring-Lock X #6 Hose
	AC301-492	Fitting, Straight, #8 Female, Spring-Lock X #8 Hose
	AC302-470	Fitting, Straight, #8 Female, Spring-Lock X #10 Hose
	AC302-406	Fitting, Straight, #10 Female, Spring-Lock X #12 Hose
	AC302-469	Fitting, Straight, #12 Female, Spring-Lock X #12 Hose
2	AC302-420	Fitting, Straight, #8 Male, Spring-Lock X #8 Hose
	AC302-410	Fitting, Straight, #10 Male, Spring-Lock X #12 Hose
	AC302-468	Fitting, Straight, #12 Male, Spring-Lock X #12 Hose
3	AC302-423	Fitting, Straight, #10 FSL X #10 MSL with R12 Access Valve - NS
	AC302-462	Fitting, Straight, #12 Female Spring-Lock X #12 male Spring-Lock
	AC302-456	Fitting, Straight, #12 FSL X #12 MSL with R134a Suction Port - NS



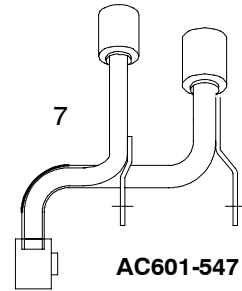
**90° MALE SPRING LOCK
SPRING LOCK**



**TEE, MALE-FEMALE
SPRING LOCK**



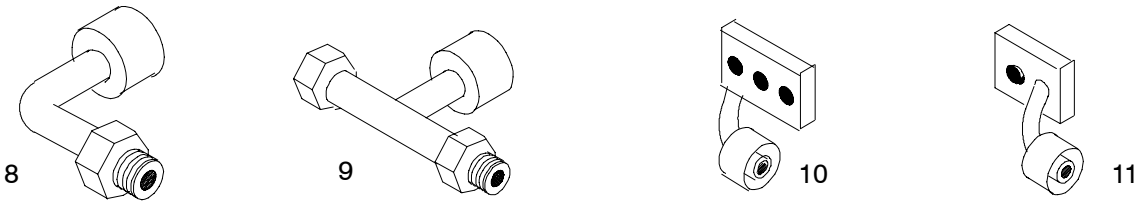
AC303-415



AC601-547

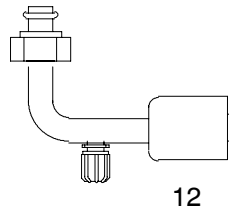
Item	Part Number	Description
4	AC302-403	Fitting, 90° #8 Male Spring-Lock X #8 Hose
	AC302-404	Fitting, 90° #8 MSL X #10 Hose with R12 Access Valve - NS
	AC302-444	Fitting, 90° #8 Male Spring-Lock X #10 Hose
5	AC302-427	Fitting, Tee #8 MSL X #8 FSL X #6 Hose
	AC302-409	Fitting, Tee #8 MSL X #8 FSL X #8 Hose
	AC303-405	Fitting, Tee #10 MSL X #10 FSL X #12 Hose
	AC302-460	Fitting, Tee #10 FSL X #12 Hose X #12 Hose
	AC302-461	Fitting, Tee #12 MSL X #12 Hose X #12 Hose
	AC302-442	Fitting, Tee 90° #10 MSL X #10 FSL X #12 Hose
	AC302-443	Fitting, Tee, 90° #12 MSL X #12 FSL X #12 Hose
6	AC303-415	Fitting, Suction Line, Factory Tie-In, #12 FIO X #12 MIO X #12 MIO
	40-50029-00	Fitting, Suction Line, Factory Tie-In, #12 FIO X #12 MIO X #10 MIO
7	AC601-547	Fitting, Manifold Assembly, with #10 and #12 Hose Connections (7.3 Ford)

4.1.3 FITTINGS, METRIC (CHEVROLET AND DODGE TIE-IN)



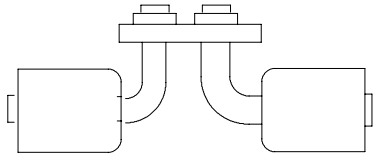
Item	Part Number	Description
N/S	AC302-464	Fitting, Straight, 27mm Female O-Ring X #12 Hose
8	AC302-473	Fitting, 90° 20mm Female O-Ring X #6 Hose
	AC302-431	Fitting, 90° 20mm Female O-Ring X #8 Hose
	AC302-481	Fitting, 90° 20mm Female O-Ring X #10 Hose with Access Port
	AC302-430	Fitting, 90° 20mm Male Insert O-Ring X #10 Hose with Access Port
	AC302-474	Fitting, 90° 24mm Female O-Ring X #10 Hose
9	AC302-433	Fitting, Tee, 20mm Female O-Ring X 20mm Male Insert O-Ring X #8 Hose
	AC302-457	Fitting, Tee, 22mm Female O-Ring X 22mm Male Insert O-Ring X #10 Hose
	AC302-452	Fitting, Tee, 22mm Female O-Ring X 22mm Male Insert O-Ring X #12 Hose
	AC302-429	Fitting, Tee, 27mm Female O-Ring X 27mm Male Insert O-Ring X #12 Hose
N/S	40-62018-01	Fitting, Tee, 20mm Female O-Ring X 20mm M.I. O-Ring X 3/4-16 M.I.O.R
	40-62018-00	Fitting, Tee, 27mm Female O-Ring X 27mm M.I. O-Ring X 7/8-14 M.I.O.R
N/S	AC301-470	Fitting, Block, #6 Hose, (Dodge Condenser)
N/S	AC301-470A	Gasket, use with AC301-470, (Dodge Block)
10	AC302-435	Fitting, Block, #6 Hose with Gasket (1994 Dodge)
11	AC301-491	Fitting, Block, #6 Hose with Gasket (Dodge Receiver/Drier)
N/S	AC302-496	Fitting, Block, #8 Hose with Gasket, (Dodge)

4.1.4 FITTING, BEADLOCK, WITH ACCESS VALVE

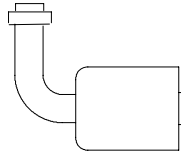


Item	Part Number	Description
12	AC302-494	Fitting, 90°, 1/2 Inch Female O-Ring X #10 Hose (R134a)
	AC302-482	Fitting, 90°, 5/8 Inch Female O-Ring X #10 Hose (R134a)
	AC302-495	Fitting, 90°, 5/8 Inch Female O-Ring X #12 Hose (R134a)
	AC302-483	Fitting, 90°, 3/4 Inch Female O-Ring X #12 Hose (R134a)
	AC301-490	Fitting, 90°, 1/2 Inch Female O-Ring X #8 Hose (R12)
	AC302-402	Fitting, 90°, 1/2 Inch Female O-Ring X #10 Hose (R12)
	AC301-449	Fitting, 90°, 1/2 Inch Female O-Ring X #12 Hose (R12)

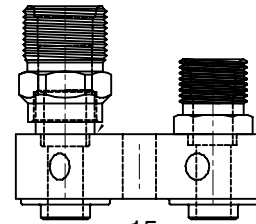
4.1.5 FITTING, A-6 COMPRESSOR, (GM STYLE)



13

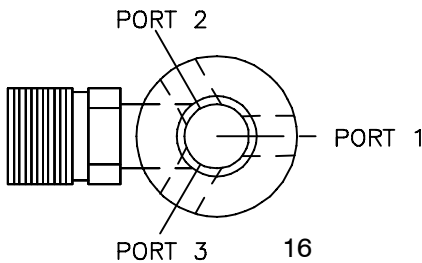


14

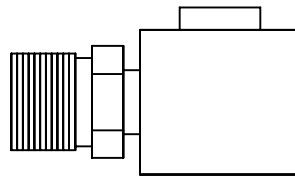


15

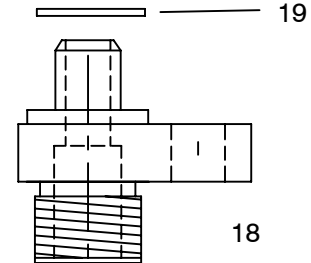
Item	Part Number	Description
13	AC301-488	Fitting, 90°, #8 Hose and #12 Hose, Dual Swivel
14	AC302-498	Fitting, 90°, (Single) X #10 Bead-Loc Hose
	AC302-499	Fitting, 90°, (Single) X #12 Bead-Loc Hose
15	40-62069-01	Fitting, Block, A-6 Style, #10 & #12 M.I.O-Ring (Steel)
	40-62069-02	Fitting, Block, GM Style, #10 M.I.O X #10 M.I.O X #12 M.I.O-Ring, (Steel)
	40-62057-03	Fitting, Block, GM Style, #10 M.I.O X #10 M.I.O. X #12 M.I.O. (Tapped Ports/Steel)
16	40-62033-03	Fitting, Block, GM Style, #8 M.I.O. With Ports #1 & #2, (Steel)
	40-62033-04	Fitting, Block, GM Style, #10 M.I.O. With Ports #1 & #3, (Steel)
	40-62033-05	Fitting, Block, GM Style, #12 M.I.O. With Ports #1 & #3, (Steel)
17	40-62008-03	Fitting, Block, GM Style, #8 M.I.O., (Steel)
	40-62008-04	Fitting, Block, GM Style, #10 M.I.O., (Steel)
	40-62008-05	Fitting, Block, GM Style, #12 M.I.O., (Steel)



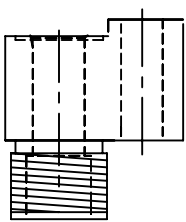
16



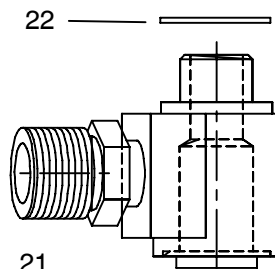
17



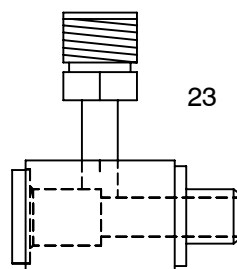
18



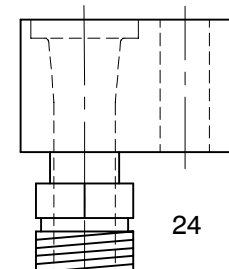
20



21



23

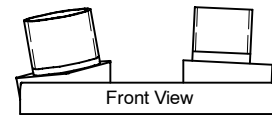
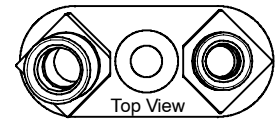
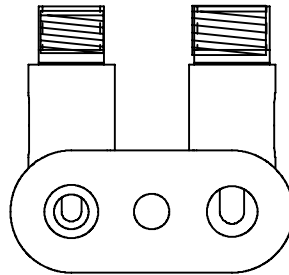
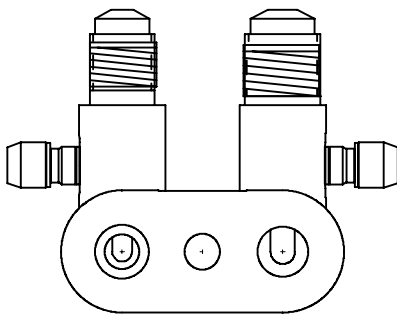
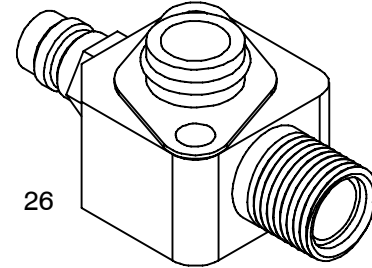
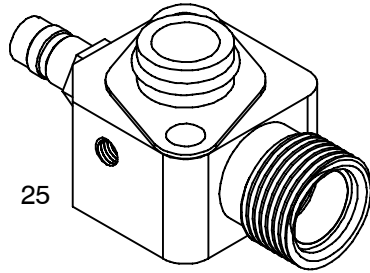


24

18	40-62076-00	Fitting, Block, GM Style, Liquid, #6 M.I.O.
19	58-62121-00	Seal, 2003 GM Fitting Block, .44 I.D.
20	40-62077-00	Fitting, Block, GM Style, Liquid, #6 M.I.O.
21	40-62078-00	Fitting, Block, GM Style, Liquid, #6 M.I.O.
22	58-62121-00	Seal, 2003 GM Fitting Block, .44 I.D.
	58-62121-01	Seal, 2003 GM Fitting Block, .68 I.D.
23	40-62079-00	Fitting, Block, GM Style, Liquid, #6 M.I.O.
24	40-62082-00	Fitting, Block Style, 04 Ford Tie-In, #8 M.I.O.

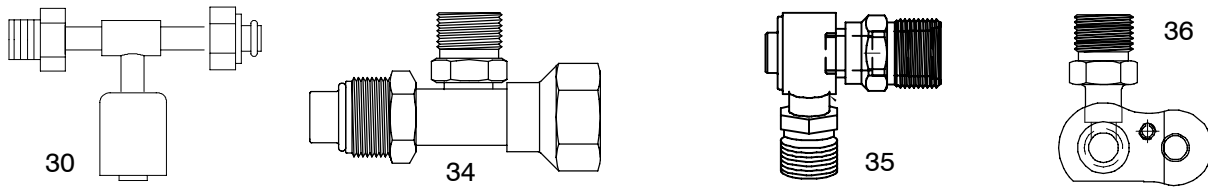
4.1.6 FITTINGS - TM-31 & MISCELLANEOUS

25	40-62068-00	Fitting, Manifold, Compressor, Suction, (TM-31)
26	40-62068-01	Fitting, Manifold, Compressor, Discharge, (TM-31)
27	106-1922	Fitting, Block, Vertical, 3/4 X 7/8 Flare, With Ports
28	106-1922-1	Fitting, Block, Vertical, 3/4 X 7/8 "O" Ring
29	40-50031-00	Fitting, Block, Horizontal, 3/4 X 7/8 "O" Ring



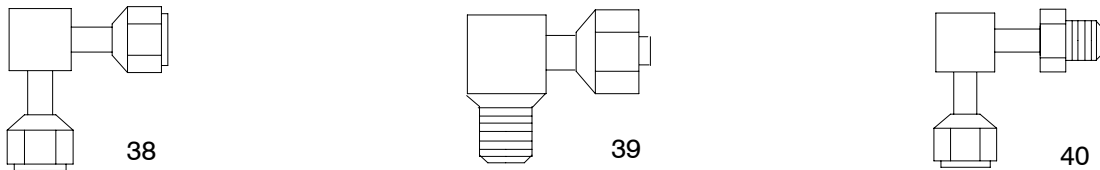
29

4.1.7 FITTINGS, TEE



Item	Part Number	Description
30	AC301-439	Fitting, #10 Hose X #10 Hose X 1/2 Inch Female Flare
	AC301-440	Fitting, #12 Hose X #12 Hose X 5/8 Inch Female Flare
	AC301-468	Fitting, 3/8 inch Female O-Ring X 3/8 Inch Male Insert O-Ring X #6 Hose
	AC302-443	Fitting, 3/8 inch Female O-Ring X 3/8 Inch Male Insert O-Ring X #8 Hose
	AC302-400	Fitting, 1/2 inch Female O-Ring X 1/2 Inch Male Insert O-Ring X #6 Hose
	AC301-495	Fitting, 1/2 inch Female O-Ring X 1/2 Inch Male Insert O-Ring X #8 Hose
	AC302-434	Fitting, 5/8 inch Female O-Ring X 5/8 Inch Male Insert O-Ring X #12 Hose
	AC302-401	Fitting, 3/4 inch Female O-Ring X 3/4 Inch Male Insert O-Ring X #10 Hose
	AC301-494	Fitting, 3/4 inch Female O-Ring X 3/4 Inch Male Insert O-Ring X #12 Hose
31	40-62019-00	Fitting, Tee, #6 M.I.O-Ring X #6 F.O-Ring X #8 M.I.O-Ring
32	40-62019-01	Fitting, Tee, #8 F.O-Ring X #8 M.I.O-Ring X #8 M.I.O-Ring
33	40-62019-02	Fitting, Tee, #12 F.O-Ring X #12 M.I.O-Ring X #12 M.I.O-Ring
34	40-62043-00	Fitting, Tee, #12 M.O-Ring (Swivel Nut) X #12 F.I.O-Ring X #10 F.I.O-Ring
35	40-62058-00	Block, Fitting, #10 M.I.O-Ring X #10 M.I.O-Ring X #12 M.I.O-Ring
36	40-62070-00	Block, Fitting, (Liquid) #6 M.I.O-Ring, (For 2003 Sprinter)
37	40-62071-00	Block, Fitting, (Suction) #10 M.I.O-Ring, (For 2003 Sprinter)

4.1.8 FITTING, SWIVEL UNIONS



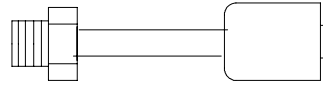
Item	Part Number	Description
38	AC301-441	Fitting, 90°, 1/2 Inch Female Flare X 1/2 inch Female Flare
39	AC302-450	Fitting, 90°, 5/8 Inch Male Flare X 1/2 inch Female O-Ring
40	N/A	Fitting, 90°, 1/2 Inch Female Flare X 5/8 inch Male Flare (AC302-451)
	AC301-452	Fitting, 90°, 1/2 Inch Female Flare X 1/2 inch Male Flare
	AC301-453	Fitting, 90°, 5/8 Inch Female Flare X 5/8 inch Male Flare

4.1.9 FITTING, FLARE TO O-RING

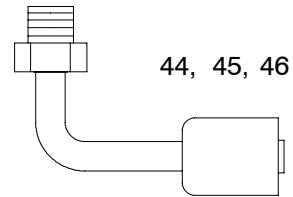


Item	Part Number	Description
41	AC301-459	Fitting, Straight, 3/8 Inch Male O-Ring X 3/8 inch Male Flare
42	AC301-460	Fitting, 90°, 5/8 Inch Male O-Ring X 5/8 inch Female Flare

4.1.10 FITTING, BEADLOCK, MALE INSERT O-RING



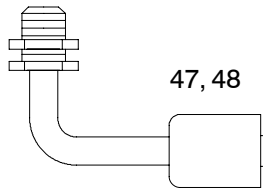
43, 49, 51



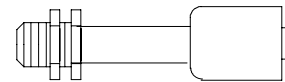
44, 45, 46

Item	Part Number	Description
43	AC302-476	Fitting, Straight, #8 Male Insert O-Ring X #8 Hose
44	AC301-487	Fitting, 90°, 1/2 Inch Male Insert O-Ring X #8 Hose
45	AC301-442	Fitting, 90°, 1/2 Inch Male Insert O-Ring X #10 Hose
46	AC301-475	Fitting, 90°, 5/8 Inch Male Insert O-Ring X #10 Hose

4.1.11 FITTING, BEADLOCK, BULKHEAD



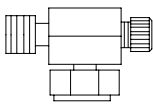
47, 48



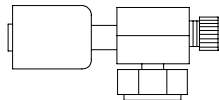
49, 50, 51

47	AC301-436	Fitting, 1/2 Inch Male Flare X #8 Hose, (Bulkhead)
48	AC302-486	Fitting, 5/8 Inch male Flare X #10 Hose, (Bulkhead)
49	40-62013-00	Fitting, Straight, 1/2 Inch Male Insert O-Ring X #8 Hose, (Bulkhead)
50	40-62013-01	Fitting, Straight, 5/8 Inch Male Insert O-Ring X #10 Hose, (Bulkhead)
51	40-62013-02	Fitting, Straight, 5/8 Inch Male Insert O-Ring X #12 Hos, (Bulkhead)

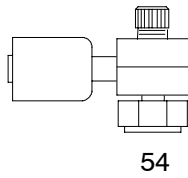
4.1.12 FITTING, TUBE-O, R12 AND R134a



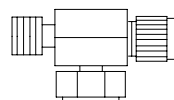
52



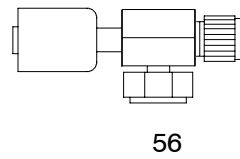
53



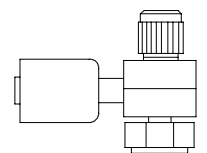
54



55



56



57

Item	Part Number	Description
52	AC301-457	Fitting, Tube-O X 1/2 Inch O-Ring with Access (R12)
	AC301-458	Fitting, Tube-O X 5/8 Inch O-Ring with Access (R12)
53	AC302-424	Fitting, Tube-O X #12 Hose with Access (R12)
	AC302-425	Fitting, Tube-O X #10 Hose with Access (R12)
54	AC302-471	Fitting, Tube-O X #10 Hose with Top Access (R12)
	AC302-472	Fitting, Tube-O X #12 Hose with Top Access (R12)
55	AC302-453	Fitting, Tube-O X 1/2 Inch O-Ring with Access (R134a)
	AC302-454	Fitting, Tube-O X 5/8 Inch O-Ring with Access (R134a)
56	AC303-403	Fitting, Tube-O X #8 Hose with Access (R134a)
57	AC302-466	Fitting, Tube-O X #10 Hose with Top Access (R134a)
	AC302-467	Fitting, Tube-O X #12 Hose with Top Access (R134a)

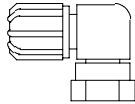
4.1.13 FITTING, ADAPTER AND CAP



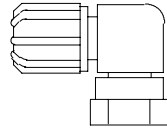
58



59



60



61



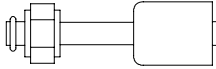
62



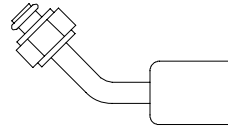
63

Item	Part Number	Description
58	40-60042-01	Fitting, Brass, Straight, (High-Side Tap) R-134a
59	40-00529-00	Fitting, Brass, Straight, (Low-Side Tap) R-134a
60	AC302-441	Fitting, Brass, 90°, (High-Side Tap)
61	AC302-440	Fitting, Brass, 90°, (Low-Side Tap)
N/S	AC302-458	Retrofit Kit-Service Ports
62	40-00520-02	Fitting, Cap, Low-Side (R134a - ATCO)
63	40-00520-03	Fitting, Cap, High-Side (R134a - ATCO)
64	58-60230-00	Fitting, Cap, High-Side, (R134a - Quick-Click)
65	58-60231-00	Fitting, Cap, Low-Side, (R134a - Quick-Click)

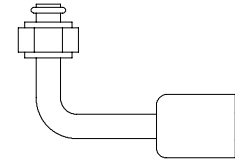
4.1.14 FITTING, BEADLOCK, FEMALE O-RING



66



67



68

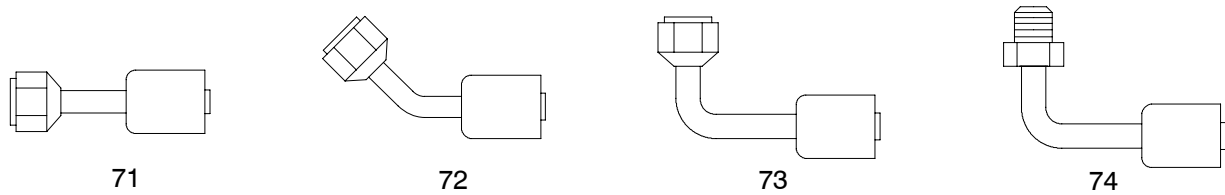
Item	Part Number	Description
66	AC301-463	Fitting, Straight, 3/8 Inch Female O-Ring X #6 Hose
	AC301-464	Fitting, Straight, 3/8 Inch Female O-Ring X #8 Hose
	AC301-482	Fitting, Straight, 1/2 Inch Female O-Ring X #8 Hose
	AC301-447	Fitting, Straight, 1/2 Inch Female O-Ring X #10 Hose
	AC301-483	Fitting, Straight, 5/8 Inch Female O-Ring X #10 Hose
	AC302-459	Fitting, Straight, 5/8 Inch Female O-Ring X #12 Hose
	AC301-497	Fitting, Straight, 3/4 Inch Female O-Ring X #12 Hose
67	AC301-484	Fitting, 45°, 3/8 Inch Female O-Ring X #6 Hose
68	AC301-462	Fitting, 90°, 3/8 Inch Female O-Ring X #6 Hose
	AC301-433	Fitting, 90°, 3/8 Inch Female O-Ring X #8 Hose
	AC302-426	Fitting, 90°, 1/2 Inch Female O-Ring X #6 Hose
	AC301-418	Fitting, 90°, 1/2 Inch Female O-Ring X #8 Hose
	AC301-419	Fitting, 90°, 1/2 Inch Female O-Ring X #10 Hose
	AC301-473	Fitting, 90°, 5/8 Inch Female O-Ring X #10 Hose
	AC302-432	Fitting, 90°, 5/8 Inch Female O-Ring X #12 Hose
	AC302-465	Fitting, 90°, 3/4 Inch Female O-Ring X #12 Hose

4.1.15 FITTING, BEADLOCK, MALE O-RING



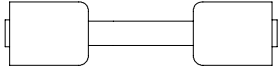
Item	Part Number	Description
69	AC301-423	Fitting, Straight, 3/8 Inch Male O-Ring X #6 Hose
	AC301-465	Fitting, Straight, 3/8 Inch Male O-Ring X #8 Hose
	AC302-475	Fitting, Straight, 1/2 Inch Male O-Ring X #10 Hose
	AC301-421	Fitting, Straight, 5/8 Inch Male O-Ring X #10 Hose
	AC301-435	Fitting, Straight, 5/8 Inch Male O-Ring X #12 Hose
70	AC301-424	Fitting, 90°, 3/8 Inch Male O-Ring X #6 Hose
	AC301-403	Fitting, 90°, 3/8 Inch Male O-Ring X #8 Hose
	AC301-498	Fitting, 90°, 1/2 Inch Male O-Ring X #8 Hose
	AC302-484	Fitting, 90°, 1/2 Inch Male O-Ring X #10 Hose
	AC301-422	Fitting, 90°, 5/8 Inch Male O-Ring X #10 Hose
	AC301-404	Fitting, 90°, 5/8 Inch Male O-Ring X #12 Hose

4.1.16 FITTING, BEADLOCK, FLARE

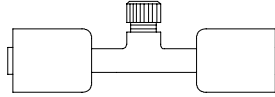


Item	Part Number	Description
71	AC301-428	Fitting, Straight, 3/8 Inch Female Flare X #6 Hose
	AC301-417	Fitting, Straight, 3/8 Inch Female Flare X #8 Hose
	AC301-427	Fitting, Straight, 1/2 Inch Female Flare X #6 Hose
	AC301-400	Fitting, Straight, 1/2 Inch Female Flare X #8 Hose
	AC301-405	Fitting, Straight, 1/2 Inch Female Flare X #10 Hose
	AC301-466	Fitting, Straight, 5/8 Inch Female Flare X #10 Hose
	AC301-456	Fitting, Straight, 5/8 Inch Female Flare X #12 Hose
	AC301-467	Fitting, Straight, 3/4 Inch Female Flare X #12 Hose
72	AC301-438	Fitting, Elbow, 45°, 1/2 Inch Female Flare X #8 Hose
	AC301-496	Fitting, Elbow, 45°, 1/2 Inch Female Flare X #10 Hose
73	AC301-431	Fitting, Elbow, 90°, 3/8 Inch Female Flare X #6 Hose
	AC301-420	Fitting, Elbow, 90°, 3/8 Inch Female Flare X #8 Hose
	AC301-469	Fitting, Elbow, 90°, 1/2 Inch Female Flare X #6 Hose
	AC301-426	Fitting, Elbow, 90°, 1/2 inch Female Flare X #8 Hose
	AC301-406	Fitting, Elbow, 90°, 1/2 Inch Female Flare X #10 Hose
	AC301-425	Fitting, Elbow, 90°, 5/8 Inch Female Flare X #10 Hose
	AC301-407	Fitting, Elbow, 90°, 5/8 Inch Female Flare X #12 Hose
74	AC301-461	Fitting, Elbow, 90°, 3/4 Inch Female Flare X #12 Hose
	AC301-499	Fitting, Elbow, 90°, 3/8 Inch Male Flare X #6 Hose
	AC301-401	Fitting, Elbow, 90°, 1/2 Inch Male Flare X #8 Hose
	AC301-402	Fitting, Elbow, 90°, 5/8 Inch Male Flare X #10 Hose

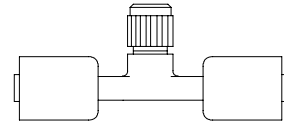
4.1.17 FITTING, BEADLOCK, SPLICERS, STRAIGHT



75



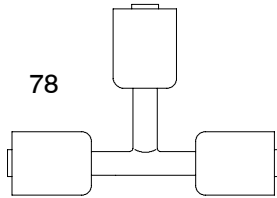
76



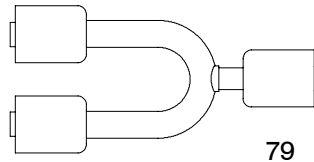
77

Item	Part Number	Description
75	AC301-450	Fitting, Straight, #6 Hose X #6 Hose
	AC301-412	Fitting, Straight, #8 Hose X #8 Hose
	AC301-413	Fitting, Straight, #10 Hose X #10 Hose
	AC301-414	Fitting, Straight, #12 Hose X #12 Hose
	AC301-455	Fitting, Straight, #6 Hose X #8 Hose
	AC301-410	Fitting, Straight, #8 Hose X #10 Hose
	AC301-411	Fitting, Straight, #10 Hose X #12 Hose
	AC301-437	Fitting, Straight, #12 Hose X #16 Hose
	AC302-421	Fitting, Straight, #16 Hose X #16 Hose
76	AC301-474	Fitting, Straight, #6 Hose X #6 Hose, With R12 Access Valve
	AC301-415	Fitting, Straight, #8 Hose X #8 Hose, With R12 Access Valve
	AC301-445	Fitting, Straight, #10 Hose X #10 Hose, With R12 Access Valve
	AC301-446	Fitting, Straight, #12 Hose X #12 Hose, With R12 Access Valve
	AC301-481	Fitting, Straight, #8 Hose X #10 Hose, With R12 Access Valve
77	AC302-437	Fitting, Straight, #10 Hose X #10 Hose, With R134a Access Valve
	AC302-436	Fitting, Straight, #12 Hose X #12 Hose, With R134a Access Valve

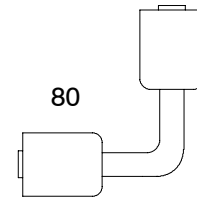
4.1.18 FITTING, BEADLOCK, SPLICERS, OTHER



78



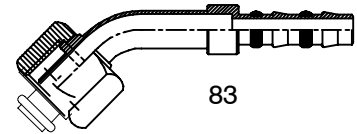
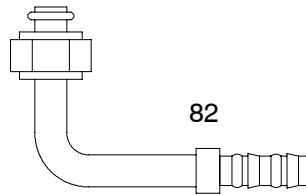
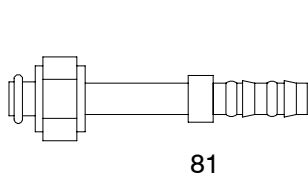
79



80

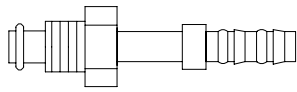
78	AC301-444	Fitting, "T", #6 Hose X #6 Hose X #6 Hose
	AC301-432	Fitting, "T", #8 Hose X #8 Hose X #8 Hose
	AC301-430	Fitting, "T", #10 Hose X #10 Hose X #10 Hose
	AC301-429	Fitting, "T", #12 Hose X #12 Hose X #12 Hose
	AC301-472	Fitting, "T", #6 Hose X #6 Hose X #8 Hose
	AC301-408	Fitting, "T", #8 Hose X #8 Hose X #6 Hose
	AC301-471	Fitting, "T", #8 Hose X #8 Hose X #10 Hose
	AC301-409	Fitting, "T", #12 Hose X #12 Hose X #10 Hose
	AC301-489	Fitting, "T", 5/16 Nylon X 5/16 Nylon X #6 Hose
79	AC301-451	Fitting, "Y", #8 Hose X #8 Hose X #8 Hose
	AC301-434	Fitting, "Y", #10 Hose X #10 Hose X #10 Hose
	AC301-448	Fitting, "Y", #12 Hose X #12 Hose X #12 Hose
80	AC301-485	Fitting, 90°, #8 Hose X #8 Hose
	AC301-476	Fitting, 90°, #12 Hose X #12 Hose

4.1.19 FITTING, QUICK-CLICK, FEMALE, O-RING

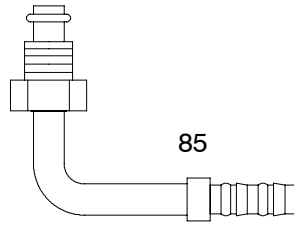


Item	Part Number	Description
81	40-60060-02	Fitting, Straight, 3/8 Inch Female O-Ring X #6 Hose
	40-60060-08	Fitting, Straight, 3/8 Inch Female O-Ring X #8 Hose
	40-60060-03	Fitting, Straight, 1/2 Inch Female O-Ring X #8 Hose
	40-60060-06	Fitting, Straight, 1/2 Inch Female O-Ring X #10 Hose
	40-60060-04	Fitting, Straight, 5/8 Inch Female O-Ring X #10 Hose
	40-60060-07	Fitting, Straight, 5/8 Inch Female O-Ring X #12 Hose
	40-60060-05	Fitting, Straight, 3/4 Inch Female O-Ring X #12 Hose
82	40-60061-02	Fitting, 90°, 3/8 Inch Female O-Ring X #6 Hose
	40-60061-08	Fitting, 90°, 3/8 Inch Female O-Ring X #8 Hose
	40-60061-03	Fitting, 90°, 1/2 Inch Female O-Ring X #8 Hose
	40-60061-06	Fitting, 90°, 1/2 Inch Female O-Ring X #10 Hose
	40-60061-04	Fitting, 90°, 5/8 Inch Female O-Ring X #10 Hose
	40-60061-07	Fitting, 90°, 5/8 Inch Female O-Ring X #12 Hose
	40-60061-05	Fitting, 90°, 3/4 Inch Female O-Ring X #12 Hose
83	40-60050-02	Fitting, 45°, 3/8 Inch Female O-Ring X #6 Hose
	40-60050-03	Fitting, 45°, 1/2 Inch Female O-Ring X #8 Hose
	40-60050-06	Fitting, 45°, 1/2 Inch Female O-Ring X #10 Hose
	40-60050-04	Fitting, 45°, 5/8 Inch Female O-Ring X #10 Hose
	40-60050-07	Fitting, 45°, 5/8 Inch Female O-Ring X #12 Hose
	40-60050-05	Fitting, 45°, 3/4 Inch Female O-Ring X #12 Hose

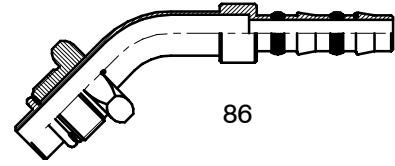
4.1.20 FITTING, QUICK-CLICK, MALE, O-RING



84



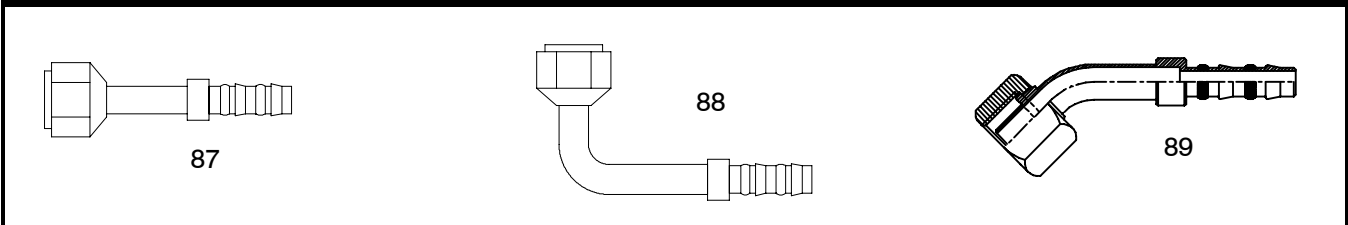
85



86

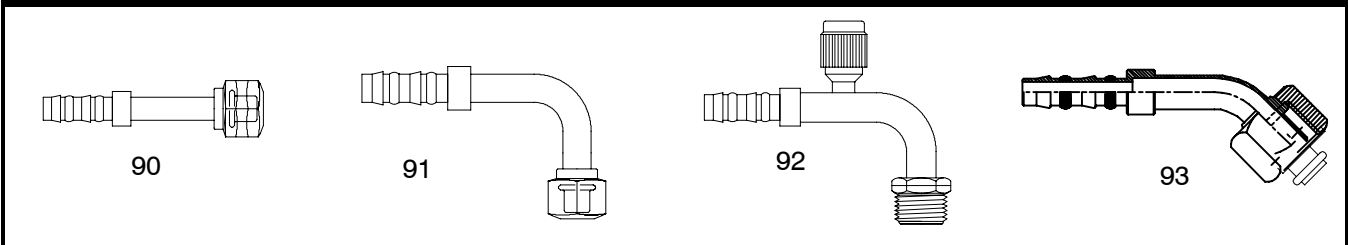
Item	Part Number	Description
84	40-60051-02	Fitting, Straight, 3/8 Inch Male O-Ring X #6 Hose
	40-60051-03	Fitting, Straight, 1/2 Inch Male O-Ring X #8 Hose
	40-60051-04	Fitting, Straight, 5/8 Inch Male O-Ring X #10 Hose
	40-60051-07	Fitting, Straight, 5/8 Inch Male O-Ring X #12 Hose
	40-60051-08	Fitting, Straight, 3/8 Inch Male O-Ring X #8 Hose
85	40-60083-02	Fitting, 90°, 3/8 Inch Male O-Ring X #6 Hose
	40-60083-03	Fitting, 90°, 1/2 Inch Male O-Ring X #8 Hose
	40-60083-04	Fitting, 90°, 5/8 Inch Male O-Ring X #10 Hose
	40-60083-07	Fitting, 90°, 5/8 Inch Male O-Ring X #12 Hose
	40-60083-08	Fitting, 90°, 3/8 Inch Male O-Ring X #8 Hose
86	40-60084-02	Fitting, 45°, 3/8 Inch Male O-Ring X #6 Hose
	40-60084-03	Fitting, 45°, 1/2 Inch Male O-Ring X #8 Hose
	40-60084-04	Fitting, 45°, 5/8 Inch Male O-Ring X #10 Hose
86	40-60084-05	Fitting, 45°, 5/8 Inch Male O-Ring X #12 Hose
	40-60084-06	Fitting, 45°, 3/8 Inch Male O-Ring X #8 Hose
	40-60084-07	Fitting, 45°, 3/4 Inch Male O-Ring X #12 Hose

4.1.21 FITTING, QUICK-CLICK, FEMALE FLARE



87	40-60078-02	Fitting, Straight, 3/8 Inch Female Flare X #6 Hose
	40-60078-03	Fitting, Straight, 1/2 Inch Female Flare X #8 Hose
	40-60078-04	Fitting, Straight, 5/8 Inch Female Flare X #10 Hose
	40-60078-05	Fitting, Straight, 3/4 Inch Female Flare X #12 Hose
	40-60078-06	Fitting, Straight, 1/2 Inch Female Flare X #10 Hose
	40-60078-07	Fitting, Straight, 5/8 Inch Female Flare X #12 Hose
	88	40-60079-02
40-60079-03		Fitting, 90°, 1/2 Inch Female Flare X #8 Hose
40-60079-04		Fitting, 90°, 5/8 Inch Female Flare X #10 Hose
40-60079-05		Fitting, 90°, 3/4 Inch Female Flare X #12 Hose
40-60079-06		Fitting, 90°, 1/2 Inch Female Flare X #10 Hose
40-60079-07		Fitting, 90°, 5/8 Inch Female Flare X #12 Hose
89		40-60080-02
	40-60080-03	Fitting, 45°, 1/2 Inch Female Flare X #8 Hose
	40-60080-04	Fitting, 45°, 5/8 Inch Female Flare X #10 Hose
	40-60080-05	Fitting, 45°, 3/4 Inch Female Flare X #12 Hose
	40-60080-06	Fitting, 45°, 1/2 Inch Female Flare X #10 Hose
	40-60080-07	Fitting, 45°, 5/8 Inch Female Flare X #12 Hose

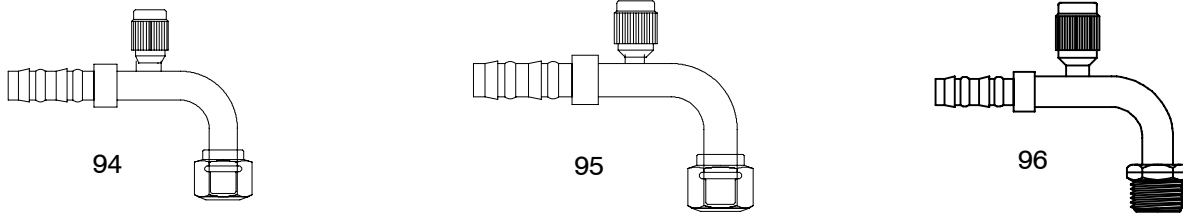
4.1.22 FITTING, QUICK-CLICK, METRIC



90	40-62021-01	Fitting, Straight, 20 mm Female O-Ring X #8 Hose
	40-62021-00	Fitting, Straight, 27 mm Female O-Ring X #12 Hose
91	40-62026-00	Fitting, 90°, 20 mm Female O-Ring X #8 Hose
92	40-62016-00	Fitting, 90°, 20 mm M. I. O-Ring X #10 Hose (R134a High Side Access)
93	40-62045-00	Fitting, 45°, 27 mm Female O-Ring X #12 Hose

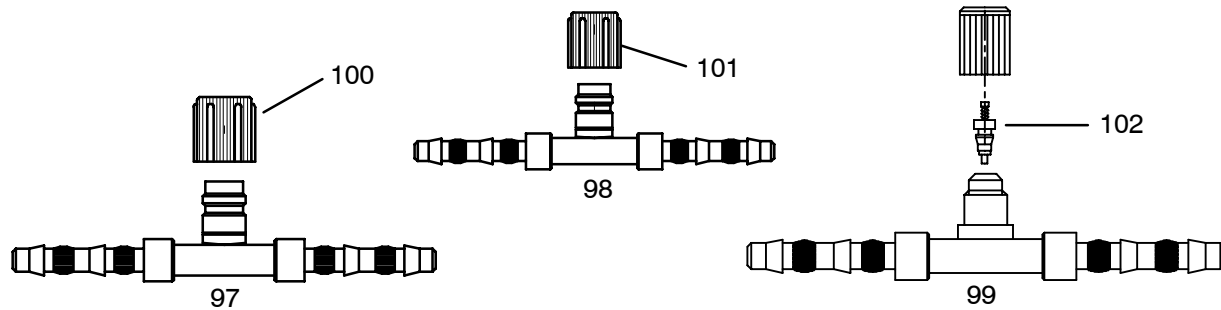
NOTE: QUICK-CLICK FITTING SEAL RINGS ARE NOT A REPLACEABLE ITEM

4.1.23 FITTING, QUICK-CLICK, WITH ACCESS PORTS



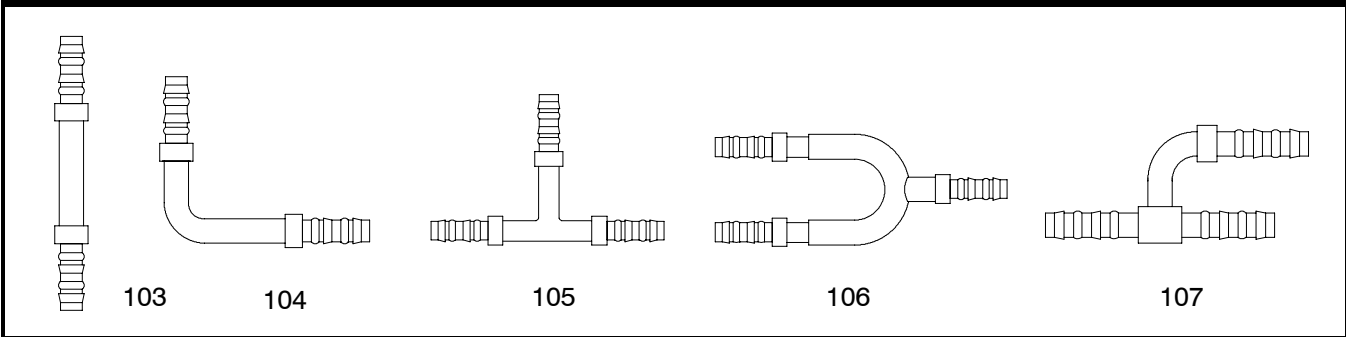
Item	Part Number	Description
94	40-62022-00	Fitting, 90°, 1/2 Inch Female O-Ring X #10 Hose, With High Side Access R134a
95	40-62023-00	Fitting, 90°, 5/8 Inch Female O-Ring X #12 Hose, With Low Side Access R134a
96	40-62016-00	Fitting, 90°, 20 MM Male Insert O-Ring X #10 Hose, With High Side Access R134a

4.1.24 FITTING, QUICK-CLICK, WITH ACCESS PORTS



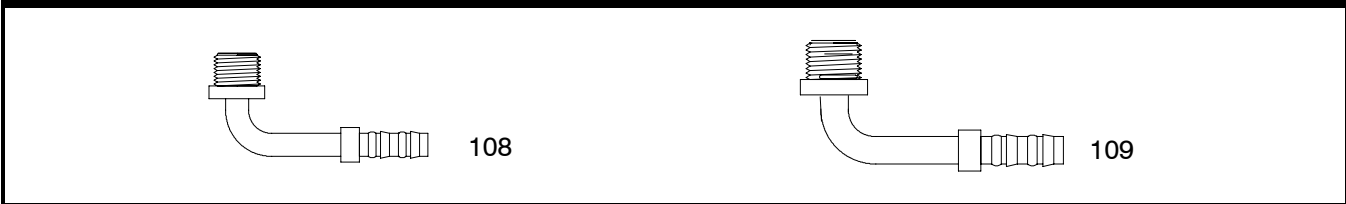
Item	Part Number	Description
97	40-60059-02	Fitting, Straight, #6 X #6 Hose with R134a Access Valve, (High Side)
	40-60059-03	Fitting, Straight, #8 X #8 Hose with R134a Access Valve, (High Side)
	40-60059-04	Fitting, Straight, #10 X #10 Hose with R134a Access Valve, (High Side)
98	40-60058-04	Fitting, Straight, #10 X #10 Hose with R134a Access Valve, (Low Side)
	40-60058-05	Fitting, Straight, #12 X #12 Hose with R134a Access Valve, (Low Side)
99	40-60081-02	Fitting, Straight, #6 X #6 Hose, With 1/4 Flare Schrader Fitting
	40-60081-03	Fitting, Straight, #8 X #8 Hose, With 1/4 Flare Schrader Fitting
	40-60081-04	Fitting, Straight, #10 X #10 Hose, With 1/4 Flare Schrader Fitting
	40-60081-05	Fitting, Straight, #12 X #12 Hose, With 1/4 Flare Schrader Fitting
100	58-60230-00	Cap, Plastic, For Schrader Service Port, R-134a, (High Side)
101	58-60231-00	Cap, Plastic, For Schrader Service Port, R-134a, (Low Side)
102	14-00351-00	Core, Access (Nickel Plated)

4.1.25 FITTING, QUICK-CLICK, SPLICERS



103	40-60086-03	Fitting, Straight, #8 Hose X #8 Hose
	40-60086-04	Fitting, Straight, #10 Hose X #10 Hose
	40-60086-05	Fitting, Straight, #12 Hose X #12 Hose
Item	Part Number	Description
104	40-60137-03	Fitting, 90°, #8 Hose X #8 Hose
	40-60137-04	Fitting, 90°, #10 Hose X #10 Hose
	40-60137-05	Fitting, 90°, #12 Hose X #12 Hose
105	40-62012-00	Fitting, "T", #8 Hose X #8 Hose X #8 Hose
	40-62012-01	Fitting, "T", #12 Hose X #12 Hose #12 Hose
	40-62012-02	Fitting, "T", #10 Hose X #10 Hose X #10 Hose
106	40-62017-00	Fitting, "Y", #8 Hose X #8 Hose X #8 Hose
	40-62017-01	Fitting, "Y" #12 Hose X #12 Hose X #12 Hose
107	40-62027-01	Fitting, "Y", #8 Hose X #8 Hose X #8 Hose
	40-62027-00	Fitting, "Y", #12 Hose X #12 Hose #12 Hose

4.1.26 FITTING, QUICK-CLICK, MALE INSERT O-RING



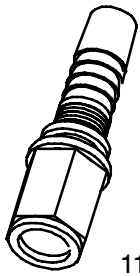
108	40-62020-00	Fitting, 90°, 3/8 inch Male Insert O-Ring X #8 Hose
109	40-62020-01	Fitting, 90°, 1/2 inch Male Insert O-Ring X #10 Hose

4.1.27 FITTING, QUICK-CLICK, 90, TXV, I.H.

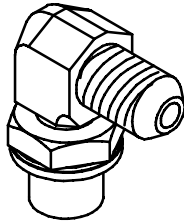


110	40-62025-00	Fitting, 90°, #6 TXV X #8 Hose
111	40-62025-01	Fitting, 90°, #10 TXV X #12 Hose

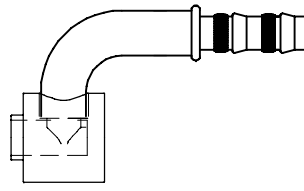
4.1.28 FITTINGS - MISC.:



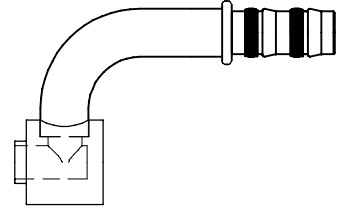
112



113



114

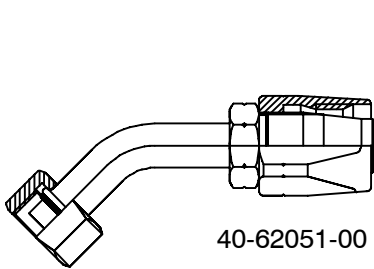


115

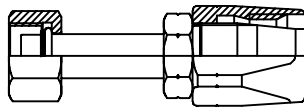
Item	Part Number	Description
112	40-62086-00	Fitting, Hose, #6 Hose x 37 Degree JIC Female
113	40-62087-00	Fitting, O-Ring, 90 Degree, JIC Male x Male M2 ORS
114	40-62088-00	Fitting, 90 Degree, GM BLock To #10 Quick-Click Hose
115	40-62089-00	Fitting, 90 Degree, GM BLock To #12 Quick-Click Hose

NOTE: QUICK-CLICK FITTING SEAL RINGS ARE NOT A REPLACEABLE ITEM

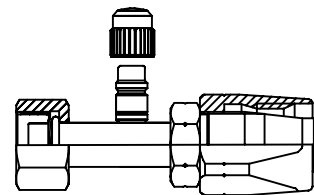
4.1.29 FITTINGS - RE-USABLE - #16 NEWCLIMA HOSE



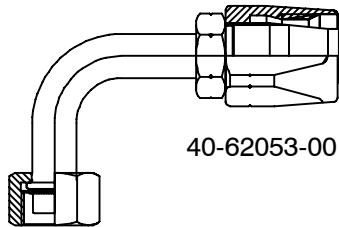
40-62051-00



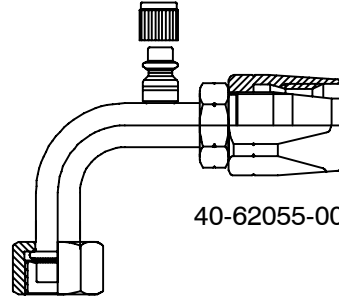
40-62052-00



40-62054-00



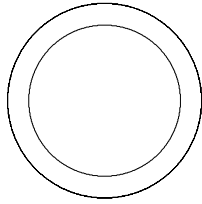
40-62053-00



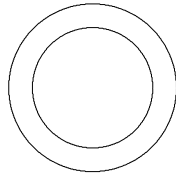
40-62055-00

Item	Part Number	Description
116	40-62051-00	Fitting, 45 Degree, #12 F.O.R. X #16 Newclima Hose (Re-Usable)
117	40-62052-00	Fitting, Straight, #12 F.O.R. X #16 Newclima Hose (Re-Usable)
118	40-62053-00	Fitting, 90 Degree #12 F.O.R. X #16 Newclima Hose (Re-Usable)
119	40-62054-00	Fitting, Straight, #12 F.O.R. X #16 Newclima Hose, W/R134a Low Side Access
120	40-62055-00	Fitting, 90 Degree #12 F.O.R. X #16 Newclima Hose, W/R134a Low Side Access

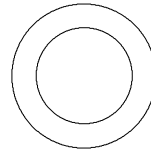
4.1.30 "O"-RINGS, HNBR



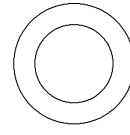
5



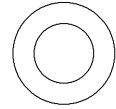
4



3



2



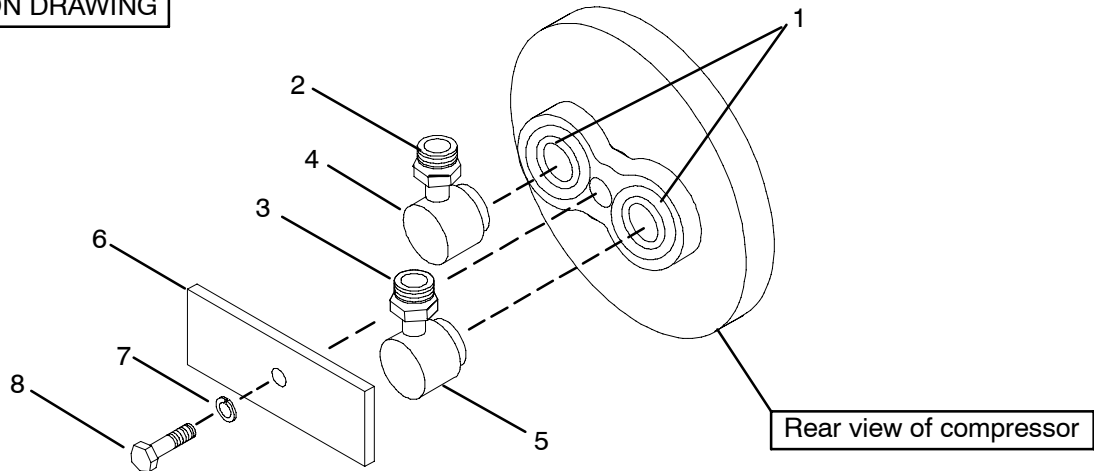
1

Item	Part Number	Description
1	AC801-201	O-Ring, Inch, HNBR, .301 I.D.
2	AC801-202	O-Ring, 1/2 Inch, HNBR, .426 I.D.
3	AC801-203	O-Ring, 5/8 Inch, HNBR, .551 I.D.
4	AC801-207	O-Ring, HNBR, .556 I.D.
5	AC801-217	O-Ring, HNBR, .676 I.D.
6	AC801-222	O-Ring, HNBR, Seltec/Sanden Manifold
7	42-00243-21	O-Ring, HNBR, A-6 Replacement, .796 I.D.

SECTION 4.2 COMPRESSOR FITTING KITS

4.2.1 INSTALLATION INSTRUCTIONS FOR COMPRESSORS WITH GM STYLE PORTS ON REAR

INSTALLATION DRAWING

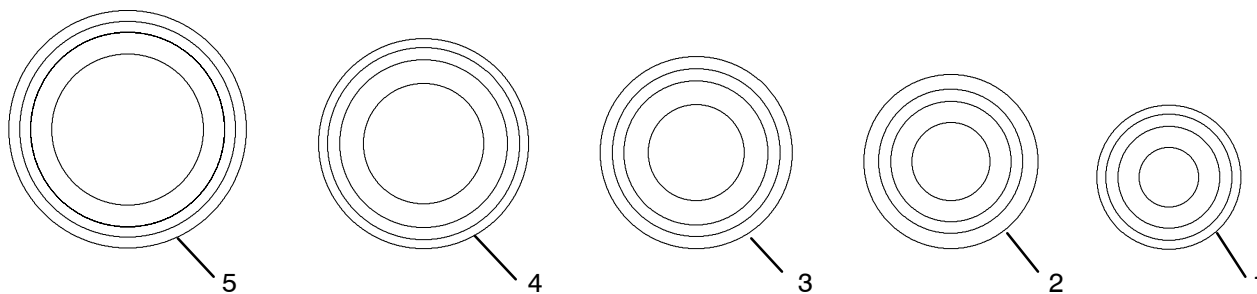


Item	Part Number	Description
1	AC801-222	O-Ring, HNBR, Seltec/Sanden Manifold
	42-00243-21	O-Ring, HNBR, A-6 Replacement, .796 I.D.
2	AC801-202	O-Ring, 1/2 Inch, HNBR, .426 I.D.
3	AC801-203	O-Ring, 5/8 Inch, HNBR, .551 I.D.
4	40-62008-00	Fitting, Block, GM, 90 X #8 M.I.O.
5	40-62008-01	Fitting, Block, GM, 90 X #10 M.I.O.
6	68-62139-00	Plate, Fitting Lock
7	34-00945-10	Washer, Split Lock, 10MM
8	34-62036-50	Bolt, Hex Head, 10MM-1.50P X 50MM Grade 10.9 (A-6 Only)
	34-62036-55	Bolt, Hex Head, 10MM-1.50P X 55MM Grade 10.9 (Seltec & Sanden Only)
4.2.2 FITTING KITS - SANDEN, SELTEC OR A-6 COMPRESSORS KITS ENDING WITH D OR -01		
1	AC301-419	Fitting, 90 Degree, 1/2 Inch Female O-Ring X #10 Beadlock Hose
2	AC302-432	Fitting, 90 Degree, 5/8 Inch Female O-Ring X #12 Beadlock Hose
3	AC302-436	Fitting, Straight, With Access #12 X #12 Beadlock Hose
4	AC302-437	Fitting, Straight, With Access #10 X #10 Beadlock Hose
5	40-62008-03	Fitting, Block, GM, 90 X #8 M.I.O.
6	40-62008-04	Fitting, Block, GM, 90 X #10 M.I.O.
7	68-62139-00	Plate, Fitting Lock
8	34-62036-50	Bolt, Hex Head, 10MM-1.50P X 50MM Grade 10.9 (A-6 Only)
	34-62036-55	Bolt, Hex Head, 10MM-1.50P X 55MM Grade 10.9 (Seltec & Sanden Only)
9	34-00945-10	Washer, Split Lock, 10MM
4.2.3 FITTING KITS - SANDEN, SELTEC OR A-6 COMPRESSORS KITS ENDING WITH E OR -02		
1	AC302-494	Fitting, 90 Degree, 1/2 Inch Female O-Ring X #10 Beadlock Hose W/Access
2	AC302-495	Fitting, 90 Degree, 5/8 Inch Female O-Ring X #12 Beadlock Hose W/Access
3	40-62008-03	Fitting, Block, GM, 90 X #8 M.I.O.
4	40-62008-04	Fitting, Block, GM, 90 X #10 M.I.O.
5	68-62139-00	Plate, Fitting Lock
6	34-62036-50	Bolt, Hex Head, 10MM-1.50P X 50MM Grade 10.9 (A-6 Only)
	34-62036-55	Bolt, Hex Head, 10MM-1.50P X 55MM Grade 10.9 (Seltec & Sanden Only)
7	34-00945-10	Washer, Split Lock, 10MM

4.2.4 FITTING KITS - SANDEN, SELTEC OR A-6 COMPRESSORS KITS ENDING WITH F OR -03		
Item	Part Number	Description
1	AC301-447	Fitting, Straight, 1/2 Inch Female O-Ring X #10 Beadlock Hose
2	AC302-459	Fitting, Straight, 5/8 Inch Female O-Ring X #12 Beadlock Hose
3	AC302-436	Fitting, Straight, With Access #12 X #12 Beadlock Hose
4	AC302-437	Fitting, Straight, With Access #10 X #10 Beadlock Hose
5	40-62008-03	Fitting, Block, GM, 90 X #8 M.I.O.
6	40-62008-04	Fitting, Block, GM, 90 X #10 M.I.O.
7	68-62139-00	Plate, Fitting Lock
8	34-62036-50	Bolt, Hex Head, 10MM-1.50P X 50MM Grade 10.9 (A-6 Only)
	34-62036-55	Bolt, Hex Head, 10MM-1.50P X 55MM Grade 10.9 (Seltec & Sanden Only)
9	34-00945-10	Washer, Split Lock, 10MM
4.2.5 FITTING KITS - SANDEN, SELTEC OR A-6 COMPRESSORS KITS ENDING WITH G OR -04		
1	40-60061-06	Fitting, 90 Degree, 1/2 Inch Female O-Ring X #10 Quick Click Hose
2	40-60061-07	Fitting, 90 Degree, 5/8 Inch Female O-Ring X #12 Quick Click Hose
3	40-62008-03	Fitting, Block, GM, 90 X #8 M.I.O.
4	40-62008-04	Fitting, Block, GM, 90 X #10 M.I.O.
5	68-62139-00	Plate, Fitting Lock
6	34-62036-50	Bolt, Hex Head, 10MM-1.50P X 50MM Grade 10.9 (A-6 Only)
	34-62036-55	Bolt, Hex Head, 10MM-1.50P X 55MM Grade 10.9 (Seltec & Sanden Only)
7	34-00945-10	Washer, Split Lock, 10MM
8	40-60058-05	Fitting, Splicer With Access, #12 X #12 Quick Click Hose
9	40-60059-04	Fitting, Splicer With Access, #10 X #10 Quick Click Hose
10	34-60019-04	Clamp, Module 10
11	34-60019-05	Clamp, Module 12
4.2.6 FITTING KITS - SANDEN, SELTEC OR A-6 COMPRESSORS KITS ENDING WITH H OR -05		
1	40-62008-03	Fitting, Block, GM, 90 X #8 M.I.O.
2	40-62008-04	Fitting, Block, GM, 90 X #10 M.I.O.
3	68-62139-00	Plate, Fitting Lock
4	34-62036-50	Bolt, Hex Head, 10MM-1.50P X 50MM Grade 10.9 (A-6 Only)
	34-62036-55	Bolt, Hex Head, 10MM-1.50P X 55MM Grade 10.9 (Seltec & Sanden Only)
5	34-00945-10	Washer, Split Lock, 10MM
6	40-62022-00	Fitting, 90 Degree, 1/2 Inch Female O-Ring X #10 Quick Click Hose W/Access
7	40-62023-00	Fitting, 90 Degree, 5/8 Inch Female O-Ring X #12 Quick Click Hose W/Access
8	34-60019-04	Clamp, Module 10
9	34-60019-05	Clamp, Module 12
4.2.7 FITTING KITS - SANDEN, SELTEC OR A-6 COMPRESSORS KITS ENDING WITH I OR -06		
1	40-60060-06	Fitting, Straight, 1/2 Inch Female O-Ring X #10 Quick Click Hose
2	40-60060-07	Fitting, Straight, 5/8 Inch Female O-Ring X #12 Quick Click Hose
3	40-60058-05	Fitting, Splicer With Access, #12 X #12 Quick Click Hose
4	40-60059-04	Fitting, Splicer With Access, #10 X #10 Quick Click Hose
5	40-62008-03	Fitting, Block, GM, 90 X #8 M.I.O.
6	40-62008-04	Fitting, Block, GM, 90 X #10 M.I.O.
7	68-62139-00	Plate, Fitting Lock
8	34-62036-50	Bolt, Hex Head, 10MM-1.50P X 50MM Grade 10.9 (A-6 Only)
	34-62036-55	Bolt, Hex Head, 10MM-1.50P X 55MM Grade 10.9 (Seltec & Sanden Only)
9	34-00945-10	Washer, Split Lock, 10MM
10	34-60019-04	Clamp, Module 10
11	34-60019-05	Clamp, Module 12

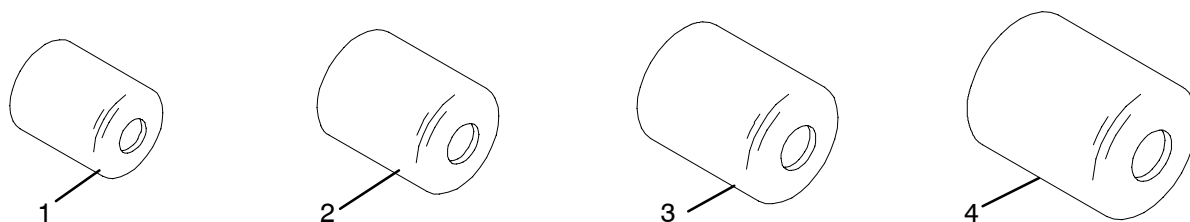
SECTION 4.3 REFRIGERANT HOSE AND CLAMPS

4.3.1 REFRIGERANT HOSE - BARRIER



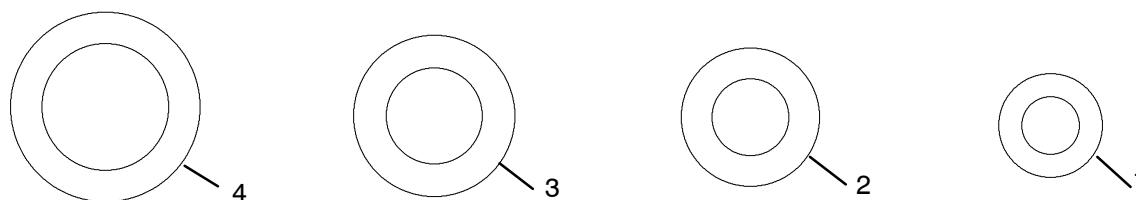
Item	Part Number	Description
1	AC301-100F50	Hose, Double Braid, Barrier, #6, (5/16 Inch ID X 3/4 Inch OD)
2	AC301-101F50	Hose, Double Braid, Barrier, #8, (13/32 Inch ID X 29/32 Inch OD)
3	AC301-102F50	Hose, Double Braid, Barrier, #10, (1/2 Inch ID X 1 Inch OD)
4	AC301-103F50	Hose, Double Braid, Barrier, #12, (5/8 Inch ID X 1-3/32 Inch OD)
5	NLA	Hose, Double Braid, Barrier, #16, (7/8 Inch ID X 1-3/8 Inch OD) R-12 (AC301-104)

4.3.2 FERRULES - (BARRIER TYPE HOSE CLAMPS)



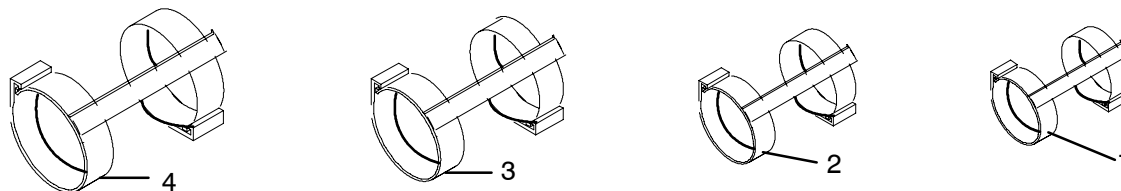
1	AC701-216	Ferrule, #6, Long
2	AC701-213	Ferrule, #8, Long
3	AC701-214	Ferrule, #10, Long
4	AC701-215	Ferrule, #12, Long

4.3.3 REFRIGERANT HOSE - QUICK-CLICK



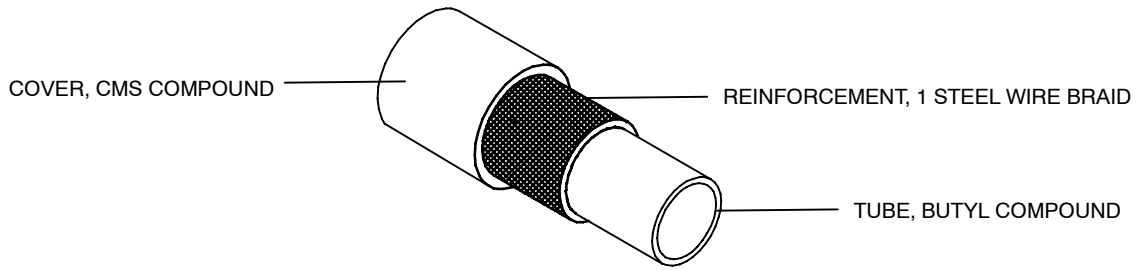
1	58-60115-02F50	Hose, Ecofrigo, #6, 5/16 Inch, (8 MM ID X 16 MM OD), 50 Foot Length
2	58-60115-03F50	Hose, Ecofrigo, #8, 13/32 Inch, (10.5MM ID X 18.8MM OD), 50 Foot Length
3	58-60115-04F50	Hose, Ecofrigo, #10, 1/2 Inch, (12.7MM ID X 21.5MM OD), 50 Foot Length
4	58-60115-05F50	Hose, Ecofrigo, #12, 5/8 Inch, (16.1MM ID X 24.1MM OD), 50 Foot Length

4.3.4 HOSE CLAMPS - QUICK-CLICK



1	34-60019-02	Clamp, Quick-Click, #6
2	34-60019-03	Clamp, Quick-Click, #8
3	34-60019-04	Clamp, Quick-Click, #10
4	34-60019-05	Clamp, Quick-Click, #12

4.3.5 REFRIGERANT HOSE, NEWCLIMA



Item	Part Number	Description
1	58-60502-01F60	Newclima Hose, #4 x 60 Foot Spool
2	58-60502-02F60	Newclima Hose, #6 x 60 Foot Spool
3	58-60502-03F60	Newclima Hose, #8 x 60 Foot Spool
4	58-60502-04F60	Newclima Hose, #10 x 60 Foot Spool
5	58-60502-05F60	Newclima Hose, #12 x 60 Foot Spool
6	58-60502-06F60	Newclima Hose, #16 x 60 Foot Spool
7	58-60502-07F60	Newclima Hose, #20 x 60 Foot Spool
8	58-60502-08F60	Newclima Hose, #24 x 60 Foot Spool

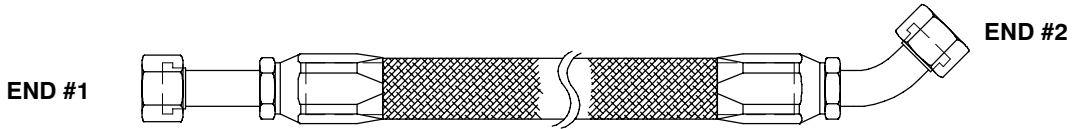


FIG. #1

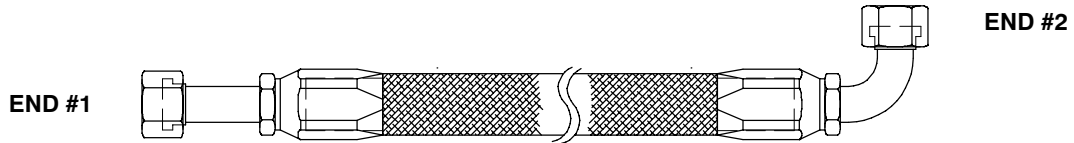


FIG. #2



FIG. #3

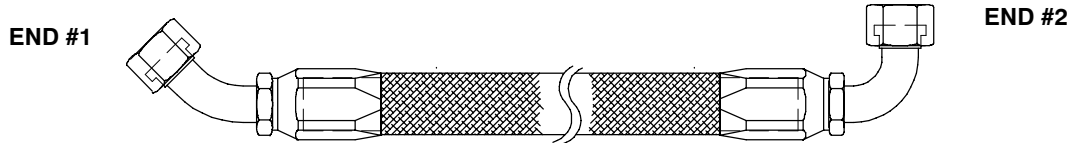


FIG. #4

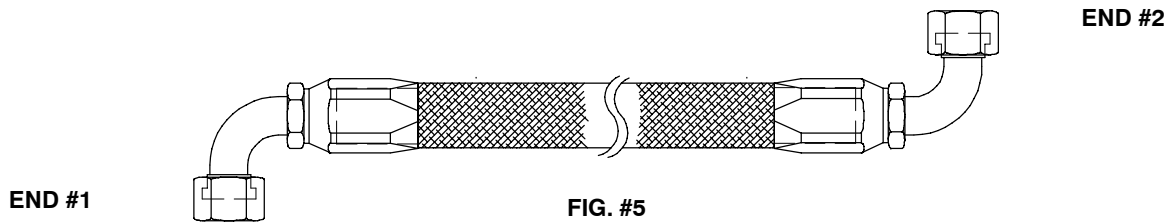


FIG. #5

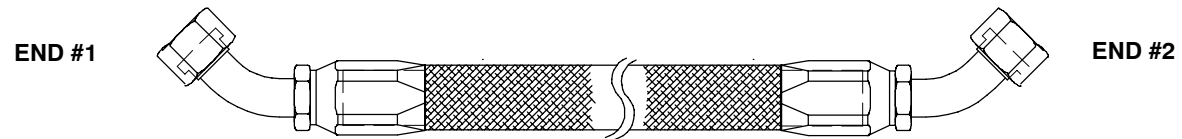


FIG. #6

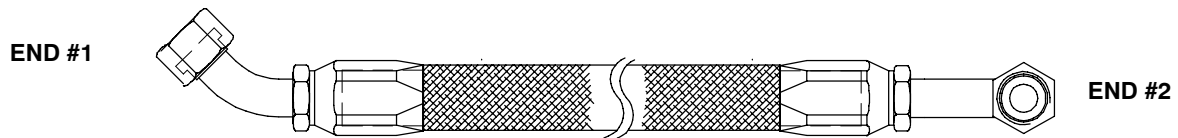
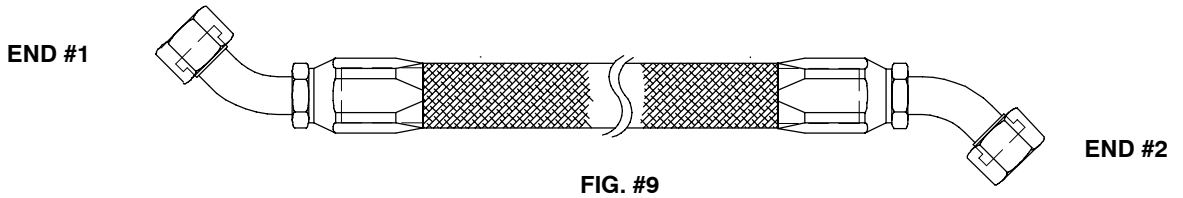
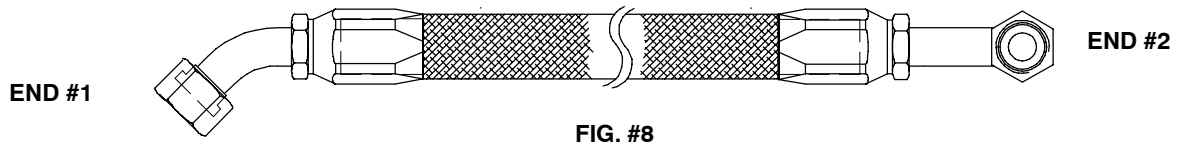


FIG. #7

4.3.6 REFRIGERANT HOSE ASSEMBLIES (NEWCLIMA) 58-62017 - Continued:



DASH NO.	END #1 FITTING DESCRIPTION	END #2 FITTING DESCRIPTION	HOSE DESCRIPTION	LENGTH INCHES	FIG. NO.
-00	ORS Straight 1-11/16-12 Thread 40-60011-07	ORS 90 Degree 1-11/16-12 Thread 40-60021-07	NEWCLIMA #20 58-60502-07	57.50	FIG.-2
-01	ORS Straight 1-7/16-12 Thread 40-60011-06	ORS Straight 1-7/16-12 Thread 40-60011-06	NEWCLIMA #16 58-60502-06	50.00	FIG.-3
-02	ORS Straight 1-11/16-12 Thread 40-60011-07	ORS 90 Degree 1-11/16-12 Thread 40-60021-07	NEWCLIMA #20 58-60502-07	90.00	FIG.-2
-03	ORS Straight 1-7/16-12 Thread 40-60011-06	ORS 45 Degree 1-7/16-12 Thread 40-60022-06	NEWCLIMA #16 58-60502-07	288.00	FIG.-1
-04	ORS Straight 1-7/16-12 Thread 40-60011-06	ORS 45 Degree 1-7/16-12 Thread 40-60022-06	NEWCLIMA #16 58-60502-06	31.00	FIG.-1
-05	ORS Straight 1-11/16-12 Thread 40-60011-07	ORS 45 Degree 1-11/16-12 Thread 40-60022-07	NEWCLIMA #20 58-60502-07	27.00	FIG.-1
-06	ORS Straight 1-11/16-12 Thread 40-60011-07	ORS 90 Degree 1-11/16-12 Thread 40-60021-07	NEWCLIMA #20 58-60502-07	33.00	FIG.-2
-07	ORS Straight 1-11/16-12 Thread 40-60011-07	ORS 90 Degree 1-11/16-12 Thread 40-60021-07	NEWCLIMA #20 58-60502-07	72.00	FIG.-2
-08	ORS Straight 1-7/16-12 Thread 40-60011-06	ORS 90 Degree 1-7/16-12 Thread 40-60021-06	NEWCLIMA #16 58-60502-06	384.00	FIG.-2
-09	ORS Straight 1-7/16-12 Thread 40-60011-06	ORS 90 Degree 1-7/16-12 Thread 40-60021-06	NEWCLIMA #16 58-60502-06	37.00	FIG.-2
-10	ORS Straight 1-11/16-12 Thread 40-60011-07	ORS 45 Degree 1-11/16-12 Thread 40-60022-07	NEWCLIMA #20 58-60502-07	33.00	FIG.-1

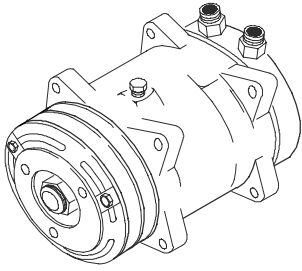
4.3.6 REFRIGERANT HOSE ASSEMBLIES (NEWCLIMA) 58-62017 - Continued:

DASH NO.	END #1 FITTING DESCRIPTION	END #2 FITTING DESCRIPTION	HOSE DESCRIPTION	LENGTH INCHES	FIG. NO.
-11	ORS Straight 1-14 Thread 40-60011-04	ORS 45 Degree 1-14 Thread 40-60022-04	NEWCLIMA #10 58-60502-04	60.00	FIG.-1
-12	ORS Straight 1-14 Thread 40-60011-04	ORS 45 Degree 1-14 Thread 40-60022-04	NEWCLIMA #10 58-60502-04	276.00	FIG.-1
-13	ORS Straight 1-7/16-12 Thread 40-60011-06	ORS 90 Degree 1-7/16-12 Thread 40-60021-06	NEWCLIMA #16 58-60502-06	38.00	FIG.-2
-14	ORS Straight 1-11/16-12 Thread 40-60011-07	ORS 90 Degree 1-11/16-12 Thread 40-60021-07	NEWCLIMA #20 58-60502-07	36.00	FIG.-2
-15	ORS Straight 1-11/16-12 Thread 40-60011-07	ORS 45 Degree 1-11/16-12 Thread 40-60022-07	NEWCLIMA #20 58-60502-07	35.00	FIG.-1
-16	ORS Straight 1-7/16-12 Thread 40-60011-06	ORS 90 Degree 1-7/16-12 Thread 40-60021-06	NEWCLIMA #16 58-60502-06	63.00	FIG.-2
-17	ORS Straight 2-12 Thread 40-60011-08	ORS 45 DEgree 2-12 Thread 40-60022-08	NEWCLIMA #24 58-60502-08	35.00	FIG.-1
-18	ORS Straight 1-7/16-12 Thread 40-60011-06	ORS 90 DEgree 1-7/16-12 Thread 40-60021-06	NEWCLIMA #16 58-60502-06	170.00	FIG.-2
-19	ORS Straight 1-14 Thread 40-60011-04	ORS 90 Degree 1-14 Thread 40-60021-04	NEWCLIMA #10 58-60502-04	74.00	FIG.-2
-20	ORS 90 Degree 1-14 Thread 40-60021-04	ORS 45 Degree 1-14 Thread 40-60022-04	NEWCLIMA #10 58-60502-04	22.00	FIG.-4
-21	ORS 90 Degree 1-7/16-12 Thread 40-60021-06	ORS 90 Degree 1-7/16-12 Thread 40-60021-06	NEWCLIMA #16 58-60502-06	33.00	FIG.-5
-22	ORS 45 Degree 1-11/16-12 Thread 40-60022-07	ORS 45 Degree 1-11/16-12 Thread 40-60022-07	NEWCLIMA #20 58-60502-07	26.00	FIG.-6
-23	ORS 90 Degree 1-11/16-12 Thread 40-60021-07	ORS 90 Degree 1-11/16-12 Thread 40-60021-07	NEWCLIMA #20 58-60502-07	105.00	FIG.-5
-24	ORS Straight 1-11/16-12 Thread 40-60011-07	ORS 90 Degree 1-11/16-12 Thread 40-60021-07	NEWCLIMA #20 58-60502-07	30.00	FIG.-2
-25	ORS 45 Degree 1-11/16-12 Thread 40-60022-07	ORS 90 Degree 1-11/16-12 Thread 40-60021-07	NEWCLIMA #20 58-60502-07	35.00	FIG.-7
-26	ORS 45 Degree 1-7/16-12 Thread 40-60022-06	ORS 90 Degree 1-7/16-12 Thread 40-60021-06	NEWCLIMA #16 58-60502-06	35.00	FIG.-8
-27	ORS Straight 1-7/16-12 Thread 40-60011-06	ORS 90 Degree 1-7/16-12 Thread 40-60021-06	NEWCLIMA #16 58-60502-06	54.00	FIG.-2
-28	ORS Straight 1-11/16-12 Thread 40-60011-07	ORS 90 Degree 1-11/16-12 Thread 40-60021-07	NEWCLIMA #20 58-60502-07	44.00	FIG.-2

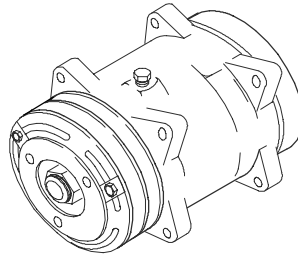
4.3.6 REFRIGERANT HOSE ASSEMBLIES (NEWCLIMA) 58-62017 - Continued:

DASH NO.	END #1 FITTING DESCRIPTION	END #2 FITTING DESCRIPTION	HOSE DESCRIPTION	LENGTH INCHES	FIG. NO.
-29	ORS Straight 1-11/16-12 Thread 40-60011-07	ORS 90 Degree 1-11/16-12 Thread 40-60021-07	NEWCLIMA #20 58-60502-07	40.00	FIG.-2
-30	ORS Straight 2-12 Thread 40-60011-08	ORS 45 Degree 2-12 Thread 40-60022-08	NEWCLIMA #24 58-60502-08	31.00	FIG.-1
-31	ORS Straight 2-12 Thread 40-60011-08	ORS 45 Degree 2-12 Thread 40-60022-08	NEWCLIMA #24 58-60502-08	41.00	FIG.-1
-32	ORS Straight 1-11/16-12 Thread 40-60011-07	ORS Straight 1-11/16-12 Thread 40-60011-07	NEWCLIMA #20 58-60502-07	30.00	FIG.-3
-33	ORS 45 Degree 2-12 Thread 40-60022-08	ORS 45 Degree 2-12 Thread 40-60022-08	NEWCLIMA #24 58-60502-08	38.00	FIG.-9
-34	ORS Straight 1-7/16-12 Thread 40-60011-06	ORS 90 Degree 1-7/16-12 Thread 40-60021-06	NEWCLIMA #16 58-60502-06	59.00	FIG.-2
-35	ORS Straight 1-11/16-12 Thread 40-60011-07	ORS 45 Degree 1-11/16-12 Thread 40-60022-07	NEWCLIMA #20 58-60502-07	33.00	FIG.-1
-36	ORS Straight 1-7/16-12 Thread 40-60011-06	ORS 90 Degree 1-7/16-12 Thread 40-60021-06	NEWCLIMA #16 58-60502-06	46.00	FIG.-2
-37	ORS Straight 1-7/16-12 Thread 40-60011-06	ORS 45 Degree 1-7/16-12 Thread 40-60022-06	NEWCLIMA #16 58-60502-06	312.00	FIG.-1
-38	ORS Straight 1-11/16-12 Thread 40-60011-07	ORS 90 Degree 1-11/16-12 Thread 40-60021-07	NEWCLIMA #20 58-60502-07	132.00	FIG.-2
-39	ORS Straight 1-14 Thread 40-60011-04	ORS 90 Degree 1-14 Thread 40-60021-04	NEWCLIMA #10 58-60502-04	312.00	FIG.-2

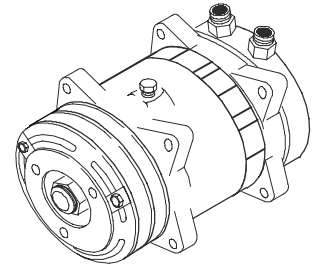
SECTION 5 - COMPRESSORS



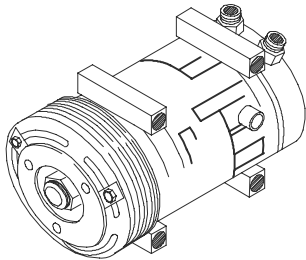
(2)'A' GR. VERT. FL



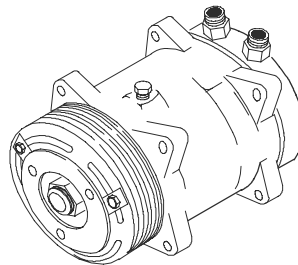
(2)'A' GR. HOR. TUBE-O



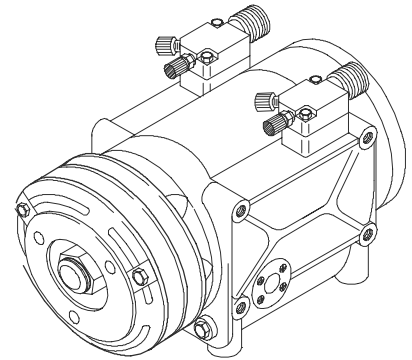
(2)'A' GR. VERT. O-RING



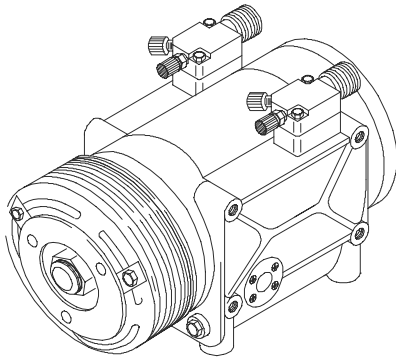
(6) GR. POLY-V
PAD MT. VERT. O-RING



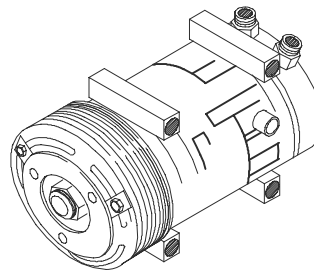
(7) GR. POLY-V
VERT. O-RING



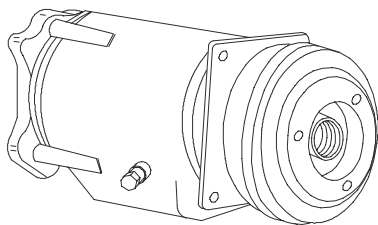
TM-31 (2) 'A' GROOVE



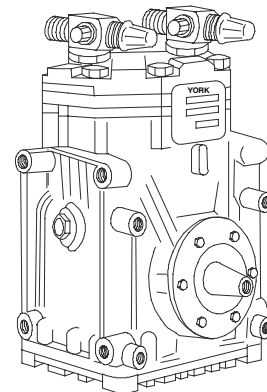
TM-31 (8) GROOVE POLY-V



FORD (8) GR. POLY-V



A-6



YORK

5.1 SANDEN, SD-508, (R12)	
Part Number	Description
AC501-249A	Compressor, SD-508, 12 VDC, (7) Gr. Poly-V, Horizontal Tube-O (9570)
N/A	Compressor, SD-508, 12 VDC, (1) "B" Gr., Horizontal O-Ring (9590) AC501-229A
5.2 SANDEN, SD-709, (R12)	
N/A	Compressor, SD-709, (2) "A" Gr., 12 VDC, Horizontal Tube-O, (7402) AC501-224A
N/A	Compressor, SD-709, (2) "A" Gr., 12 VDC, Vertical O-Ring, (7409) AC501-225A
N/A	Compressor, SD-709 (2) "A" Gr., 24 VDC, Vertical O-Ring AC501-262A
AC501-226A	Compressor, SD-709, (6) Gr. Poly-V, Pad Mt, Vertical O-Ring, (7416)
N/A	Compressor, SD-709, (6) Gr. Poly-V, 12 VDC, Pad Mt, Horizontal Tube-O AC501-230A
AC501-252A	Compressor, SD-709, (6) Gr. Poly-V, 12 VDC, Vertical Tube-O (7427)
AC501-259A	Compressor, SD-709, (6) Gr. Poly-V, 12 VDC, Horizontal Tube-O
N/A	Compressor, SD-709, (8) Gr. Poly-V, Pad Mt, Horizontal O-Ring (7730) (AC501-263A)
5.3 SANDEN, SD-709, (R-134a)	
AC501-280A	Compressor, SD-709, (8) Gr. Poly-V, 12 VDC, Pad Mt., H.O-Ring, (7730) (S/S to AC501-298A)
5.4 SANDEN, SD-709 PARTS	
Part Number	Description
AC501-239	Field Coil, Clutch, 12 VDC, SD-709 and SD-7H15
AC501-236	Field Coil, Clutch, 24 VDC, SD-709 and SD-7H15
AC501-234	Head, Cylinder, With Gasket, Vertical O-Ring, SD-709
AC501-256	Head, Cylinder, With Gasket, Horizontal Tube-O, SD-709
AC501-261	Head, Cylinder, With Gasket, Vertical Tube-O, SD-709
AC501-269	Gasket, Cylinder Head, SD-709
AC501-246	Clutch Assembly, (2) "A" Groove, 12 VDC, SD-709
AC501-247	Clutch Assembly, (6) Groove, 12 VDC, Poly-V, SD-709
AC501-257	Kit, Seal, SD-709 (R-22)
5.5 SANDEN, SD-510, (R12)	
17-31270-00	Compressor, SD-510, 12 VDC, (2) "A" Gr., Vertical Flow, (9103) (501-200A)
AC501-215A	Compressor, SD-510, 24 VDC, (2) "A" Groove, Vertical Flow, (9105)
AC501-216	Compressor, SD-510, 12 VDC, (2) "A" Gr., Horizontal Tube-O, (9125)
AC501-248	Compressor, SD-510, 12 VDC, (2) "A" Gr., Vertical O-Ring, (9137)
AC501-223A	Compressor, SD-510, 12 VDC, (7) Gr., Vertical O-Ring, (9663)
5.6 SD-510 SANDEN PARTS	
AC501-206	Field Coil, Clutch, 12 VDC, SD-510,
AC501-232	Field Coil, Clutch, 24 VDC, SD-510
AC501-212	Head, Cylinder, With Gasket, SD-510, Vertical Flow
AC501-207	Clutch Assembly, (2) "A" Gr., 12 VDC, SD-510, 132 MM
5.7 SANDEN, SD-7H15, (R134a)	
AC501-282A	Compressor, SD-7H15, (2) "A" Gr.132mm, Pad Mt., Vert. O-Ring, 12 VDC, (4626)
AC501-289A	Compressor, SD-7H15, (8) Gr. Poly-V, H.Tube-O, (7822), 90 Fittings, 12 VDC
N/A	Compressor, SD-7H15, (8) Gr. Poly-V, H.Tube-O, (7822), Straight Fitting, 12 VDC AC501-289B
AC501-298A	Compressor, SD-7H15, (8) Gr. Poly-V, 119mm, Pad Mt, Hor. O-Ring, 12 VDC, W/Fittings
5.8 SD-7H15 SANDEN PARTS	
AC501-285	Head, Cylinder, With Gasket, Horizontal O-Ring, SD-7H15
AC501-286	Head, Cylinder, With Gasket, Vertical O-Ring, SD-7H15
AC501-284	Clutch, Assembly, (2) "A" Groove, SD-7H15, 132 mm, 12VDC, (Includes Coil)
AC501-283	Clutch, Assembly, (8) Groove Poly-V, 119mm, SD-7H15/SD709, (Without Coil)
THE LETTER "A" OR "B" AT END OF THE PART # (EX. AC501-224A) MEANS THAT THE COMPRESSOR IS SUPPLIED WITH FITTINGS AND O-RINGS	

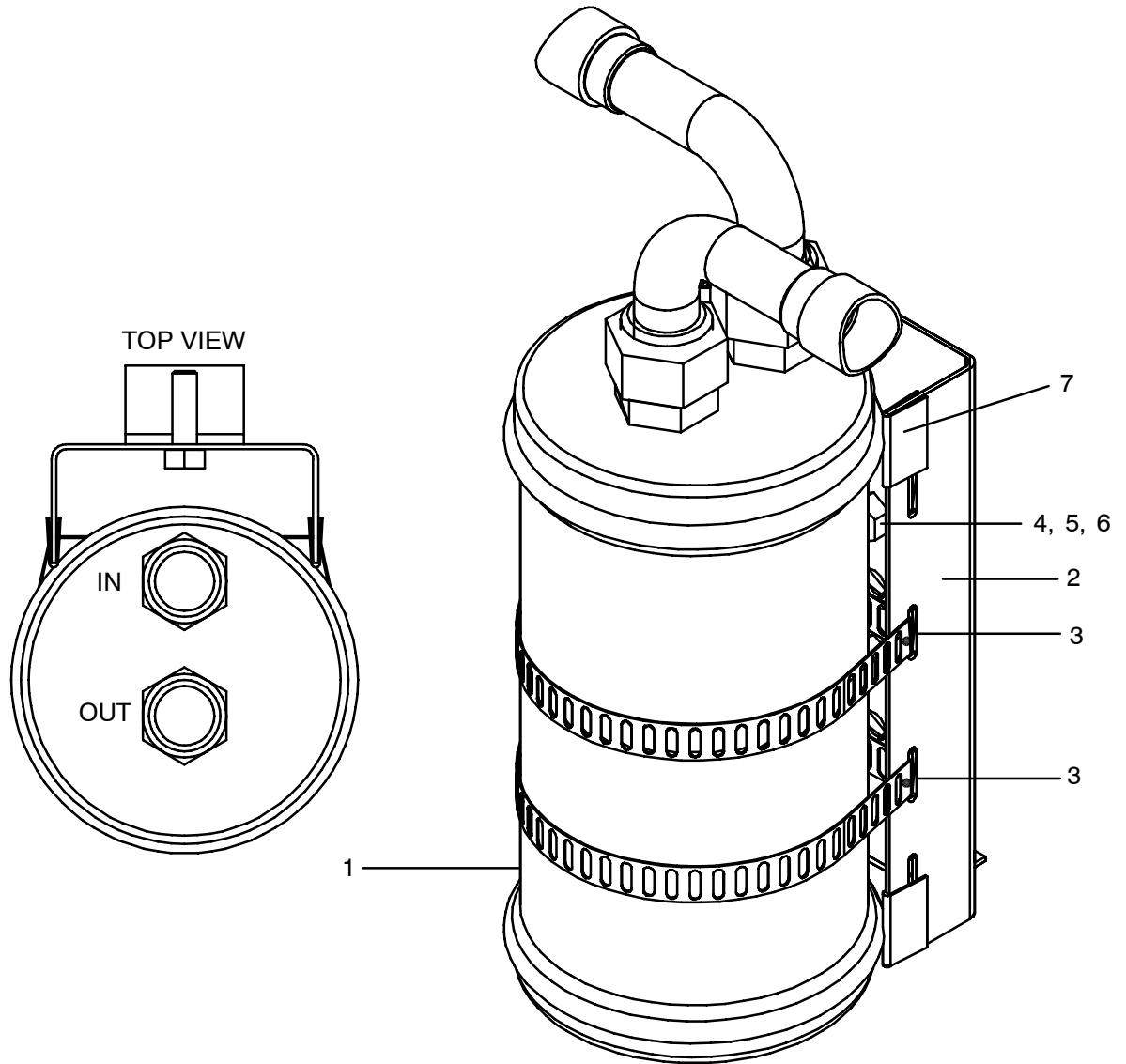
5.9 SELTEC, TM-15, (R12)	
AC501-270A	Compressor, TM-15, (2) "A" Gr., 12 VDC, Horizontal Tube-O
AC501-271A	Compressor, TM-15, (2) "A" Gr., 12 VDC, Vertical O-Ring
N/A	Compressor, TM-15, (6) Gr. Poly-V, 12 VDC, Vertical O-Ring, Pad Mount (AC501-272A)
AC501-273A	Compressor, TM-15, (8) Gr. Poly-V, 12 VDC, Vertical O-Ring
5.10 SELTEC, TM-15, (R134a)	
AC501-266A	Compressor, TM-15, (2) "A" Gr., 12 VDC, Horizontal Tube-O
AC501-267A	Compressor, TM-15, (2) "A" Gr., (125mm), 12 VDC, Vertical O-Ring
AC501-275A	Compressor, TM-15, (2) "A" Gr., 24 VDC, Vertical O-Ring
AC501-268A	Compressor, TM-15, (6) Gr. Poly-V, 12 VDC, Pad Mt., Vertical O-Ring
N/A	Compressor, TM-15, (7) Gr., Poly-V, 12 VDC, Vertical Tube-O, 90 Ftgs. (AC501-260A)
N/A	Compressor, TM-15, (7) Gr., Poly-V, 12 VDC, Vertical Tube-O, Str. Ftgs. (AC501-260B)
AC502-208A	Compressor, TM-15, (8) Gr. Poly-V, 12 VDC, Horizontal Tube-O W/Ftgs.
AC502-209A	Compressor, TM-15, (8) Gr. Poly-V, 12 VDC, Vertical Tube-O W/Ftgs
AC502-215A	Compressor, TM-15, (2) "A" Gr., 125 mm, 12 VDC, (Without Manifold)
5.11 SELTEC, TM-16, (R134a)	
AC502-210	Compressor, TM-16, (8) Gr., Poly-V, 12 VDC, Vertical O-Ring, Monolithic Head
AC502-220	Compressor, TM-16, (2) "A" Gr., 12 VDC, Vert.O-Ring, Monolithic Head (125MM)
18-00074-35	Compressor, TM-16, (8) Gr., Poly-V, 12 VDC, Pad Mount
18-00074-36	Compressor, TM-16, (2) "A" Gr., 12 VDC, Pad Fittings
108-1921SV	Compressor, TM-16, (8) Grv., Poly-V, 12 VDC, Vertical "O" Ring, With Oil POE (22C)
5.12 SELTEC, TM-21HX, (R134a)	
18-10123-02	Compressor, TM-21-HX, (2) "A" Grv., 12 VDC, GM Pad Fitting
18-10123-03	Compressor, TM-21-HX, (2) "A" Grv., 24 VDC, GM Pad Fitting
18-10123-04	Compressor, TM-21-HX, (8) Grv., Poly-V, 12 VDC, GM Pad Fitting
18-10123-05	Compressor, TM-21-HX, (8) Grv., Poly-V, 24 VDC, GM Pad Fitting
50-50074-00	Clutch, 12 VDC, Poly-V 8-Groove, 141 MM
50-50075-00	Clutch, 12 VDC, 2 A Groove, 145 MM
50-50076-00	Coil, Clutch, 12VDC
5.13 SELTEC, TM-15/16 PARTS (Replaces DK-15 Diesel Kiki Parts)	
AC501-291	Clutch, Assembly, TM-15, (8) Gr. Poly-V, 12 VDC
AC501-292	Clutch, Assembly, TM-15, (2) "A" Gr., (125mm) 12 VDC
50-60135-00	Clutch, Assembly, TM-15/16, (2) "A" Gr., (135mm) 12 VDC
50-60136-00	Clutch, Assembly, TM-15/16, (2) "A" Gr., (135mm) 24 VDC
50-60234-00	Clutch, Assembly, TM-15/16, (6) Grv. Poly-V, 12 VDC
50-60235-00	Clutch, Assembly, TM-15/16, (6) Grv. Poly-V, 24 VDC
42-60023-00	O-Rings For Bolt On Manifold, TM-08 Thru TM-16
17-31252-00	Clutch, Variable, AB Groove, 12 VDC (159MM)
17-31254-00	Shaft Seal
17-31307-00	Coil, Clutch, 12 VDC, (TM-15/16) 4 Inch O.D.
17-13108-00	Coil, Clutch, 24 VDC, (TM-15/16)
105-6121	Valve, Pressure Relief, (500 PSI)
THE LETTER "A" OR "B" AT END OF THE PART # (EX. AC501-224A) MEANS THAT THE COMPRESSOR IS SUPPLIED WITH FITTINGS AND O-RINGS	

5.14 SELTEC, TM-26, (R12)	
AC501-218	Compressor, TM-26, (2) "A" Gr., 12 VDC, Horiz. Flow - S/S to 17-31244-00 (TM-31)
AC501-218A	Compressor, TM-26, (2) "A" Gr., 12 VDC, Horiz. Flow - S/S to 17-31244-00 (TM-31)
AC501-240A	Compressor, TM-26, (2) "B" Gr., 12 VDC, Horiz. Flow - S/S to 17-31246-00 (TM-31)
AC501-217A	Compressor, TM-26, (2) "B" Gr., 24 VDC, Horiz. Flow - S/S to 17-31247-00 (TM-31)
5.15 SELTEC, TM-26, (R134a)	
AC501-277A	Compressor, TM-26, (2) "A" Gr., 12 VDC, Horizontal O-Ring (S/S To 17-31244-00)
AC501-277B	Compressor, TM-26, (2) "A" Gr., 12 VDC, Horizontal O-Ring, (Str. Ftgs.) (S/S To 17-31244-00)
N/A	Compressor, TM-26, (2) "A" Gr., 24 VDC, Horizontal Flow (AC501-279A)
N/A	Compressor, TM-26, (2) "B" Gr., 24 VDC, Horizontal Flow, (Str. Ftgs) AC502-205A
AC502-213A	Compressor, TM-26, (8) Gr. Poly-V, 12 VDC, Horizontal O-Ring (S/S To 17-31248-00)
N/A	Compressor, TM-26, (2) "B" Gr., 12 VDC, Horizontal Flow (AC502-217A)
5.16 SELTEC, TM-26 PARTS	
AC501-219	Field Coil, Clutch, TM-26, 12 VDC
AC501-220	Field Coil, Clutch, TM-26, 24 VDC
AC501-238	Clutch, Assembly, TM-26, (6) Gr. Poly-V, 12 VDC
AC501-221	Pulley, Clutch, (2) "A" Groove, With (Armature) Plate
AC501-222	Pulley, Clutch, (2) "B" Groove, With (Armature) Plate
AC501-253	Shaft Seal,Kit, Carbon Type
AC301-817	Pipe Plug, Pressure Switch Ports, (1/8-28)
AC051-1173	Clutch, Assembly, (8) Gr. Poly-V, With (Armature) Plate, (No Coil)
5.17 SELTEC, TM-31, (R134a)	
17-31244-00	Compressor, TM-31, (2) "A" Gr., 12 VDC, Horizontal O-Ring, Pad Mount
17-31245-00	Compressor, TM-31, (2) "A" Gr., 24 VDC, Horizontal O-Ring, Bracket Mt.
17-31246-00	Compressor, TM-31, (2) "B" Gr., 12 VDC, Horizontal O-Ring, Pad Mount
17-31247-00	Compressor, TM-31, (2) "B" Gr., 24 VDC, Horizontal O-Ring, Pad Mount
17-31248-00	Compressor, TM-31, (8) Gr. Poly-V, 12 VDC, Horizontal O-Ring, Pad Mt.
17-31249-00	Compressor, TM-31, (8) Gr. Poly-V, 24 VDC, Horizontal O-Ring, Pad Mt.
5.18 SELTEC, TM-31 PARTS	
17-31253-00	Clutch Assembly, TM-31, (2) "A" Gr., 158mm, 5 Eye, 12 VDC
17-31260-00	Clutch Assembly, TM-31, (2) "B" Gr., 158mm, 5 Eye, 12 VDC,
17-31261-00	Seal, Shaft, TM-31
17-31262-00	Clutch Assembly, TM-31, (8) Gr. Poly-V, 158mm, 5 Eye, 12 VDC
17-31263-00	Clutch Assembly, TM-31, (8) Gr. Poly-V, 158mm, 5 Eye, 24 VDC
17-31264-00	Coil, Clutch, TM-31, 12 VDC
17-31265-00	Coil, Clutch, TM-31, 24 VDC
17-31266-00	Clutch Assembly, TM-31, (2) "A" Gr., 158mm, 5 Eye, 24 VDC
17-31267-00	Clutch Assembly, TM-31, (2) "B" Gr., 158mm, 5 Eye, 24 VDC
THE LETTER "A" OR "B" AT END OF THE PART # (EX. AC501-224A) MEANS THAT THE COMPRESSOR IS SUPPLIED WITH FITTINGS AND O-RINGS	

5.19 ALMA, A-6, (R12)	
N/A	Compressor, A-6, (1) "A" Gr., 12 VDC (AC501-233A)
AC501-244A	Compressor, A-6, (2) "A" Gr., 12 VDC
N/A	Compressor, A-6, (2) "A" Gr., 24 VDC (AC501-254A)
N/A	Compressor, A-6, (1) "B" Gr., 24 VDC (AC501-264A)
5.20 ALMA, A-6, (R134a)	
AC502-203	Compressor, A-6, (2) "A" Gr., 12 VDC
AC502-204	Compressor, A-6, (2) "A" Gr., 24 VDC
AC502-216	Compressor, A-6, (1) "A" Gr., 12 VDC
18-00073-00	Compressor, A-6, 6 Groove Poly-V, 12 VDC
18-00073-01	Compressor, A-6, 8 Groove Poly-V, 12 VDC
5.21 ALMA, A-6 PARTS	
50-50061-00	6 Groove Poly-V Pulley & Bearing, 5.5 Inch O.D.
50-50062-00	Clutch Armature (Driver) & Key
50-50063-00	12 Volt Coil
50-50066-00	5 Inch Pulley & Bearing, With 1 "A" Groove
50-50067-00	24 Volt Coil
50-50069-00	Pulley, Clutch, 8 Groove Poly-V, 4.81 Inch OD, W/Bearings and Retainer
50-50070-00	Clutch Assembly, 8 Groove Poly-V, 12 VDC, 4.81 Inch O.D.
50-50072-00	Clutch Assembly, 6 Groove Poly-V, 12 VDC, 5.5 Inch O.D.
5.22 YORK COMPRESSORS & PARTS	
AC501-201A	Compressor, York, EF-210, (2) "A" Gr., 12 VDC, Horizontal Flow
AC501-241	Compressor, York, SC-206RM, (2) "A" Gr., 12 VDC, Horizontal Flow
AC501-242	Compressor, York, SC-206RM, (6) Gr. Poly-V, 12 VDC, Horizontal Flow
17-31200-01	Compressor, 10.3 CID, (Less Service Valves) Can Be Used For Standby Or Road. Setup For Use With Flanged Valves (210)
17-31200-02	Compressor, 8.7 CID, (Less Service Valves) Can Be Used For Road Only Setup For Use With Roto-Lock Valves (208)
17-31200-03	Compressor, 6.11 CID, (Less Service Valves) Can Be Used For Road Only Setup For Use With Roto-Lock Valves (210)
18-60002-03SV	Compressor, 10.3 CID, (Less Service Valves) Can Be Used For Standby Or Road. Setup For Use With Roto-Lock Valves (210)
50-50002-00	Clutch Assembly, (7 Inch OD Pulley) TRC, TRE, TRS, (Road Application Only)
50-50001-00	Clutch Assembly, (6 Inch OD Pulley)
17-31207-00	Shaft Seal Assembly, EF-210, SC-206, SC-209, SC-210
AC501-209	Gasket, Valve Plate, EF-210
17-31205-00	Teflon Ring, (For Use With Rotolock Valves)
17-21003-00	Gasket, Service Valves, (For Use With Old Style Flanged Valves)
42-01159-00	O-Rings, (For Use With New Style Flanged Valves)
17-31202-00	Suction Service Valve (Rotolock)
920088	Suction Service Valve, (Flanged)
17-31203-00	Discharge Service Valve, (Rotolock)
920183	Discharge Service Valve, (Flanged)
920107	Cylinder Head Gasket
920108	Valve Plate Gasket
920490	Key, Shaft
THE LETTER "A" OR "B" AT END OF THE PART # (EX. AC501-224A) MEANS THAT THE COMPRESSOR IS SUPPLIED WITH FITTINGS AND O-RINGS	

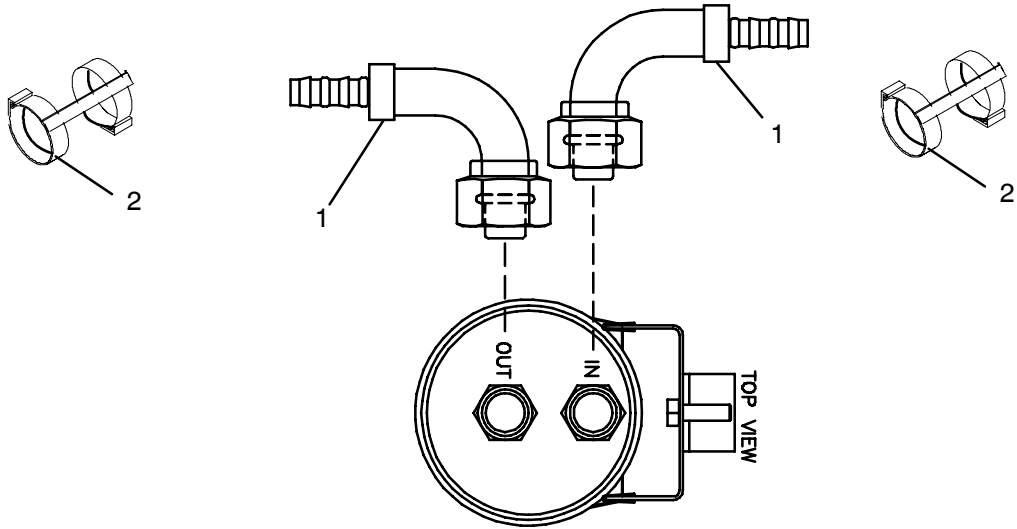
5.23 SANDEN, SD7H15-SHD, (R134a)	
18-00093-00	Compressor, SD-7H15-SHD, (2) "A" Grv. 125mm, 3/4 In. X 7/8 In. Vert. O-Ring, 12 VDC
18-00093-01	Compressor, SD-7H15-SHD, (2) "A" Grv. 125mm, GM Pad Fitting, 12 VDC
18-00093-02	Compressor, SD-7H15-SHD, (8) Gr. Poly-V, 3/4 In. X 7/8 In. Vert. O-Ring, 12 VDC
18-00093-03	Compressor, SD-7H15-SHD, (8) Gr. Poly-V, GM Pad Fitting, 12 VDC
18-00093-04	Compressor, SD-7H15-SHD, (8) Gr. Poly-V, 1 In.-14 Horiz. Tube O-Ring, 12 VDC
18-00093-05	Compressor, SD-7H15-SHD, (8) Gr. Poly-V, 3/4 In. X 7/8 In. Vert. O-Ring, 12 VDC
18-00093-06	Compressor, SD-7H15-SHD, (8) Gr. Poly-V, 3/4 In. X 7/8 In. Vert. O-Ring, 24 VDC
18-00093-07	Compressor, SD-7H15-SHD, (2) "A" Grv. 125mm, 3/4 In. X 7/8 In. Vert. O-Ring, 12 VDC
18-00093-08	Compressor, SD-7H15-SHD, (2) "A" Grv. 125mm, 3/4 In. X 7/8 In. Vert. O-Ring, 24 VDC
18-00093-09	Compressor, SD-7H15-SHD, (8) Grv. Poly-V, GM Pad Fitting, 12 VDC
18-00093-10	Compressor, SD-7H15-SHD, (8) Grv. Poly-V, GM Pad Fitting, 24 VDC
18-00093-11	Compressor, SD-7H15-SHD, (2) "A" Grv. 125 mm, GM Pad Fitting, 12 VDC
18-00093-12	Compressor, SD-7H15-SHD, (2) "A" Grv. 125 mm, GM Pad Fitting, 24 VDC
18-00093-13	Compressor, SD-7H15-SHD, (8) Poly-V. GM Pad Fitting, 12 VDC
18-00093-14	Compressor, SD-7H15-SHD, (2) "A" Grv. 125 mm, GM Pad Fitting, 12 VDC
18-00093-15	Compressor, SD-7H15-SHD, (2) "A" Grv. 125 mm, GM Pad Fittings W/Connections, 12 VDC
5.24 FORD, (R12)	
N/A	Compressor, Ford, FS-6 Take-Off, 12 VDC (AC501-235)
N/A	Compressor, Ford, 5.9L., 6BT, (8) Gr. Poly-V, 12 VDC, With Fittings (AC502-214A)
N/A	Clutch, (8) Gr., Poly-V, Ford, 5.9L., 6BT (AC502-212)
5.25 OIL - COMPRESSOR	
46-50004-00	ISO 150 PAG For Alma Products A6 Compressors Using R-134a (Quart)
46-50005-00	ISO 100 PAG (Quart)
46-50006-00	ISO 50 PAG For Seltec/Valeo/Tama/ICE/Zexel TM Series Compressors For R-134a (Quart)
46-50007-00	POE For 05G/K Series Compressors In Bus Applications For R-134a (Quart)

5.26 SUCTION LINE ACCUMULATOR KITS - COMMON PARTS (98-62790)



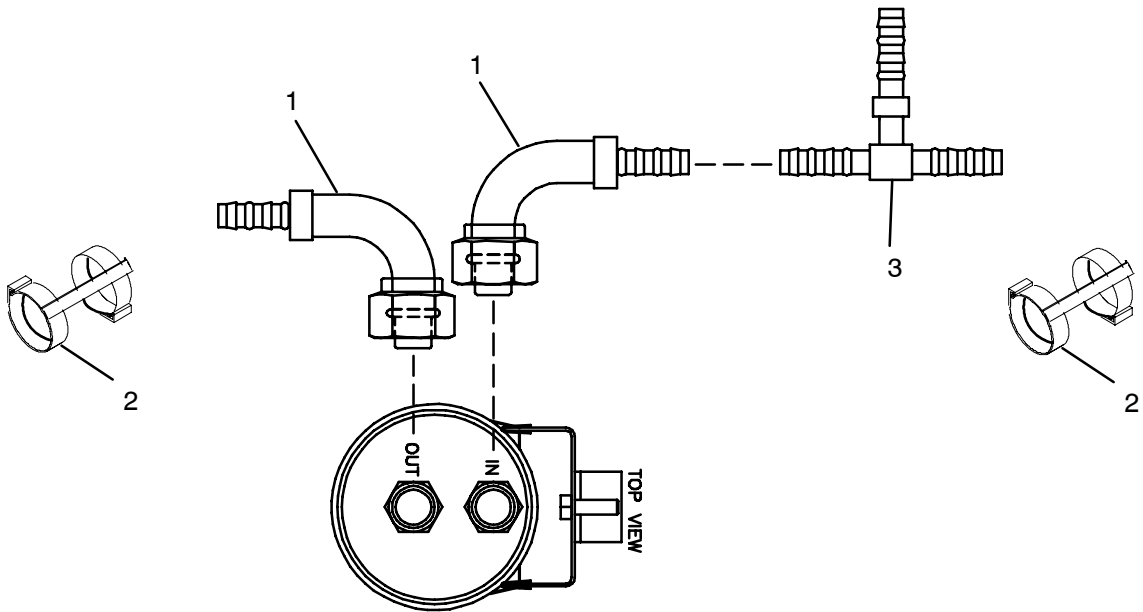
Item	Part Number	Description	Qty
1	65-62004-00	Accumulator, Suction Line	1
2	68-63588-00	Bracket, Accumulator, Painted	1
3	44-00045-30	Clamp, Accumulator	2
4	34-00615-08	Screw, Cap, Hex Head, 5/16-18 X 1.00 Inch Long, Grade 8	2
5	34-00588-12	Washer, PLain, 5/16	4
6	34-00361-12	Nut, Self Locking, 5/16-18	2
7	AC801-415	Gasket, Trimlock, Black X Foot	2

5.27 SUCTION LINE ACCUMULATOR KIT - SINGLE EVAPORATOR #12 HOSE (76-62258-00)



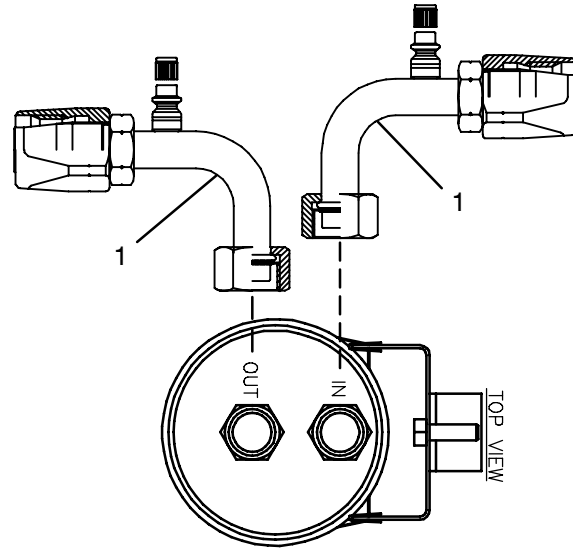
Item	Part Number	Description	Qty
1	40-60061-05	Fitting, Hose, 90 Degree, #12	2
2	34-60019-05	Clamp, Hose, #12	2

5.28 SUCTION LINE ACCUMULATOR KIT - DUAL EVAPORATOR #12 HOSE (76-62258-01)



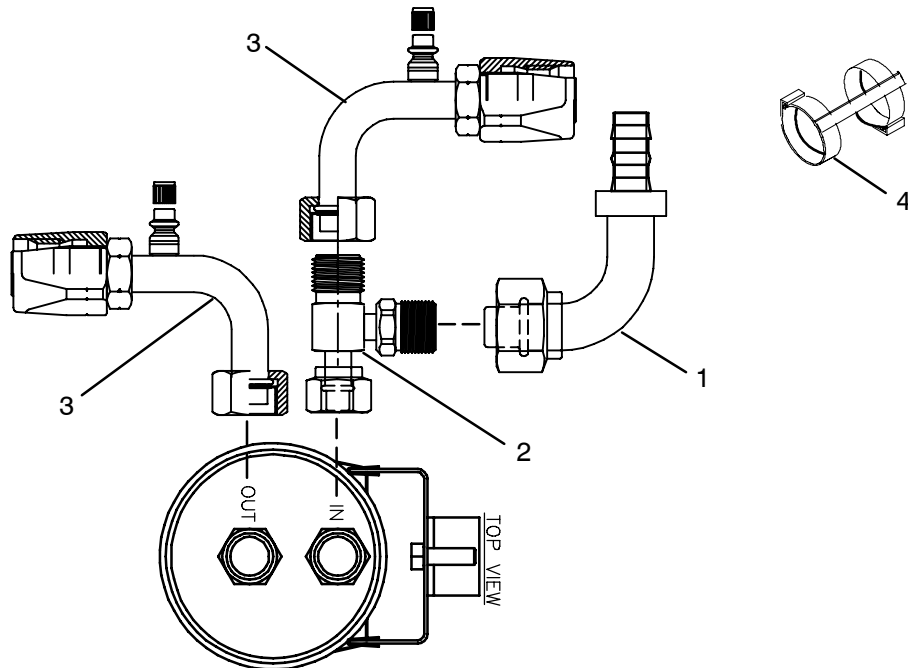
Item	Part Number	Description	Qty
1	40-60061-05	Fitting, Hose, 90 Degree, #12	2
2	34-60019-05	Clamp, Hose, #12	5
3	40-62012-01	Fitting, Tee, Hose, #12	1

5.29 SUCTION LINE ACCUMULATOR KIT - SINGLE EVAPORATOR #16 & #12 HOSE (76-62258-02)



Item	Part Number	Description	Qty
1	40-62055-00	Fitting, Hose, 90 Degree, #12 F.O.R. X #16 Hose, W/R-134a Low Side Access	1

5.30 SUCTION LINE ACCUMULATOR KIT - DUAL EVAPORATOR #16 & #12 HOSE (76-62258-03)



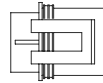
Item	Part Number	Description	Qty
1	40-60061-05	Fitting, Hose, 90 Degree, #12	1
2	40-62019-02	Fitting, Tee, #12 F.O.R. X #12 M.I.O. X #12 M.I.O.	1
3	40-62055-00	Fitting, Hose, 90 Degree, #12 F.O.R. X #16 Hose, W/R-134a Low Side Access	2
4	34-60019-05	Clamp, Hose, #12	1

SECTION 6 - ELECTRICAL

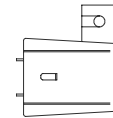
6.1 FUSE AND FUSE HOLDERS



AC201-114

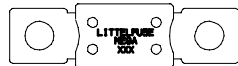


AC201-125

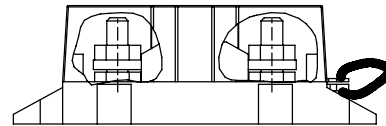


AC201-124

Part Number	Description
AC201-104	Fuse, 3AG, 2AMP, 250 VDC
AC201-115	Fuse, 20 AMP, Type AGC, 32 VDC, (Use With AC201-114)
AC201-116	Fuse, 30 AMP, Type AGC, 32 VDC, (Use With AC201-114)
22-02336-06	Fuse, 15 AMP, ATC, (Use With AC201-124)
22-02336-00	Fuse, 30 AMP, ATC, (Use With AC201-124)
22-50078-23	Fuse Cover, (Use With AC201-125)
22-50078-22	Fuse Holder, ATC, (Use With AC201-124)
AC201-103	Fuse Holder, Panel Mount
AC201-114	Fuse Holder, Inline,Crimp, (30 AMP Maximum)
AC201-126	Terminal, Fuse, (Use With AC201-125)

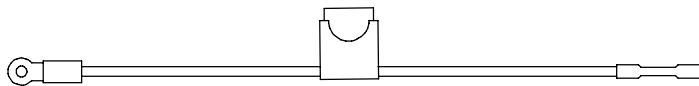


22-02336-15 or 31

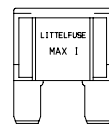


22-01800-00

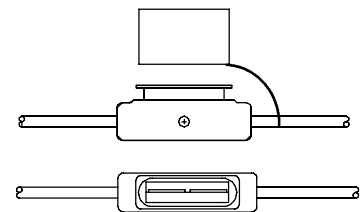
22-62119-00	Assembly, Fuse Holder, 10 AMP
22-62119-01	Assembly, Fuse Holder, 15 AMP
22-62119-02	Assembly, Fuse Holder, 20 AMP
22-02336-04	Fuse, 10 AMP
22-02336-06	Fuse, 14 AMP
22-02336-01	Fuse, 20 AMP
22-62110-00	Fuse Holder, With Cover, (In-Line Maxi Type)
22-01800-00	Fuse Holder, 100/150 AMP, With Cover
22-02336-15	Fuse, 150 AMP
22-02336-31	Fuse, 100 AMP
22-02336-17	Fuse, 60 AMP



22-62119

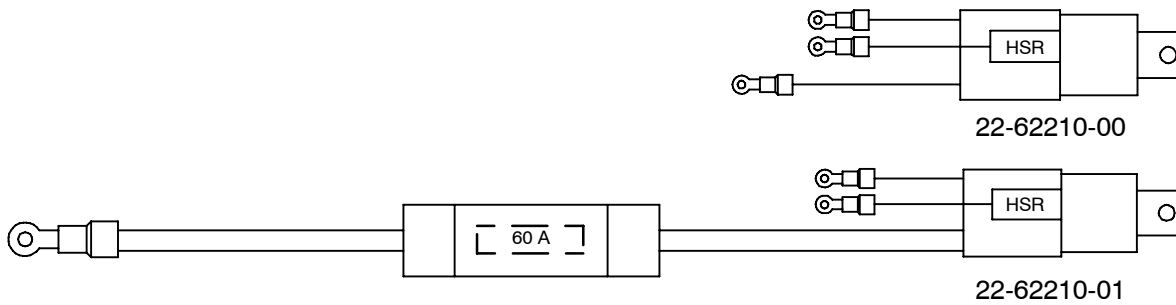


22-02336-17



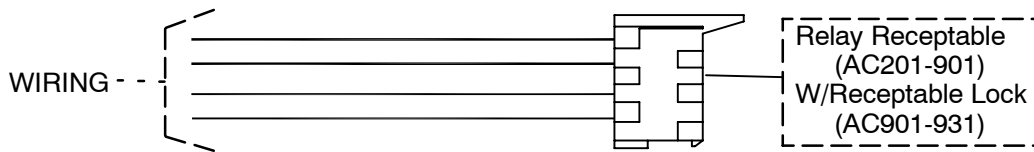
22-62110-00

6.2 RELAY ASSEMBLIES



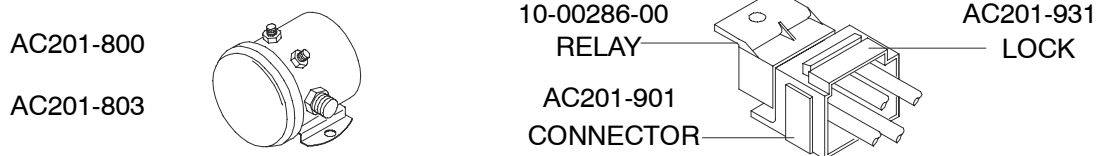
Part Number	Description
22-62210-00	Relay Assembly, High Speed, 70 Amp
22-62210-01	Relay Assembly, High Speed, 70 Amp, With Fuse Holder
22-50078-18	Connector, Relay
22-62110-00	Fuse Holder, With Cover
22-02336-17	Fuse, 60 Amp
10-00328-00	Relay, 70 Amp

6.3 CONNECTOR ASSEMBLIES



Part Number	Description
AC201-922	Connector Assembly, High Speed Relay
22-62238-00	Connector Assembly, Medium Speed Relay
22-62238-01	Connector Assembly, Low Speed Relay
22-62238-02	Connector Assembly, Clutch Relay
22-62238-03	Connector Assembly, Condenser Relay

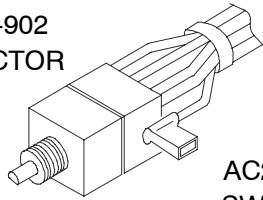
6.4 RELAYS - SOLENOIDS



Part Number	Description
AC201-800	Contactora, Solenoid, 12 VDC, 70 AMP
AC201-801	Relay, 5 Prong, 12 VDC, 30 AMP
AC201-803	Contactora, Solenoid, 24 VDC, 50 AMP
AC201-804	Relay, 5 Prong, 24 VDC, 30 AMP
AC201-805	Solenoid, Choke, 12VDC
AC201-812	Contactora, Relay, 12 VDC, 20/30 AMP
10-00286-00	Relay, 4 Prong, 12 VDC, 40 AMP, With Bracket (Siemens)
10-00286-03	Relay, 5 Prong, 12 VDC, 30 AMP, With Bracket (Siemens or Bosch)
10-00286-08	Relay, 5 Prong, 24 VDC, 20 AMP, With Bracket (Bosch)
10-00286-09	Relay, 5 Prong, 24 VDC, 40 AMP, No Bracket (Siemens)
10-00286-12	Relay, 5 Prong, 24 VDC, 40 AMP, No Bracket (Bosch)
10-00286-14	Relay, 5 Prong, 12 VDC, 50 AMP, With Bracket (Bosch)
10-00286-15	Relay, 5 Prong, 12 VDC, 40 AMP, With Bracket (Tyco)

6.5 SWITCHES

AC201-902
CONNECTOR

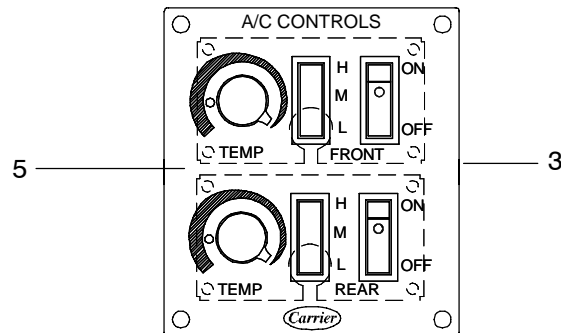
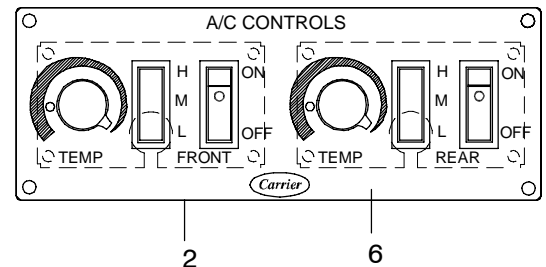
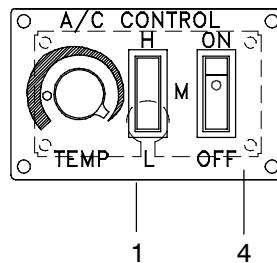
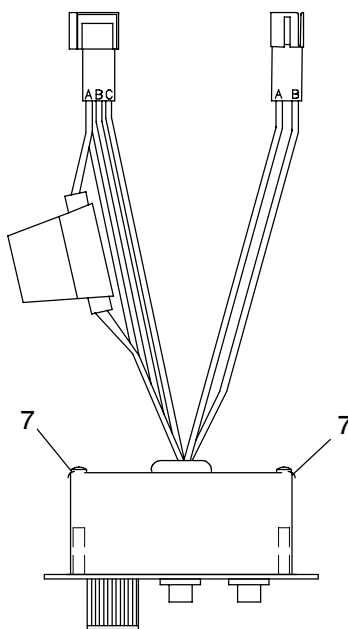


AC201-305
SWITCH

NOTE:
USE AC201-902 CONNECTOR
WITH AC201-305

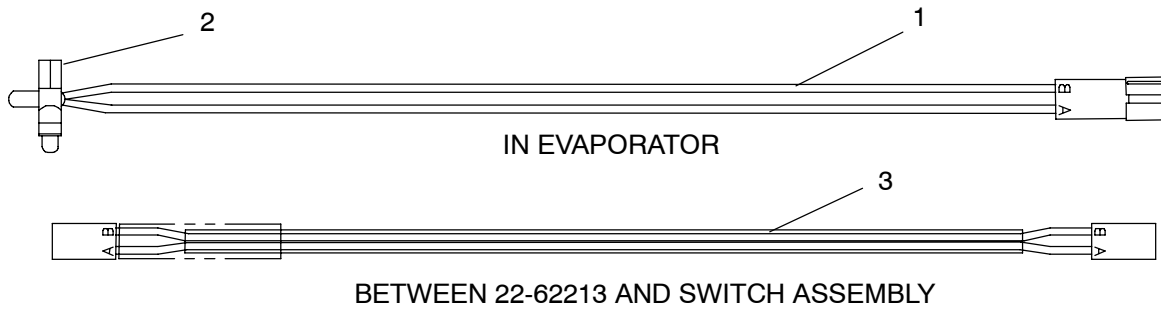
Part Number	Description
AC201-301	Switch, Toggle, DPDT, (ON-OFF-ON)
AC201-302	Switch, Toggle, SPDT, (ON-OFF-MOM)
AC201-303	Switch, Toggle, SPST, (OFF-MOM)
AC201-304	Switch, Toggle, SPST, (ON-OFF)
AC201-306	Switch, Toggle, SPDT, (MOM-OFF-MOM)
AC201-310	Switch, Toggle, DPDT, (ON-OFF)
AC201-305	Switch, Rotary, Heavy Duty, (Double Nuts)
AC201-315	Switch, Starter Lockout, (DM Series)
AC201-308	Nut, Hex, High Shoulder

6.6 SWITCH ASSEMBLIES - TEMPCON



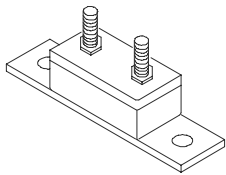
Item	Part Number	Description	Qty
1	22-62212-00	Switch Assembly, Tempcon, (Single)	1
2	22-62212-01	Switch Assembly, Tempcon, (Dual, Horizontal)	1
3	22-62212-02	Switch Assembly, Tempcon, (Dual, Vertical)	1
4	68-63540-00	Plate, Face (4 x 2.50)	1
5	68-63644-00	Plate, Face (4.38 x 4.88)	1
6	68-63644-01	Plate, Face (7.50 x 2.75)	1
7	68-63547-00	Cover, Back	2

6.7 SENSOR ASSEMBLY (KITS)



Part Number		Description	
N/S	22-62217-00	Kit, Sensor Control, Temcon - Includes:	1
1	22-62213-00	...Sensor Assembly, Temcon (13 Inch)	1
N/S	68-63559-00	...Bracket, Sensor	1
N/S	58-00065-48	...Grommet, .25 ID x .44 OD	1
N/S	98-62677-00	...Installation Drawing	1
N/S	AC701-300	...Wire Tie, 6 Inch white	1
1	22-62213-01	Sensor Assembly, Temcon (46 Inch)	1
2	58-62155-00	Clip, Standoff Lock	1
3	22-62214-30	Cable Assembly, Shielded, Temcon, Florida Control (360 Inches)	1
	22-62214-58	Cable Assembly, Shielded, Temcon, Florida Control (696 Inches)	1

6.8 CIRCUIT BREAKER



CIRCUIT BREAKER COLOR CODE

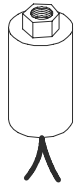
20 AMP - YELLOW DOT
 30 AMP - GREEN DOT
 40 AMP - RED DOT
 50 AMP - WHITE DOT

CIRCUIT BREAKER IDENTIFICATION

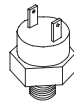
	TYPE III - MANUAL RESET-RESETS WHEN EXTERNAL BUTTON IS PUSHED.
	TYPE II - RESETS WHEN OVERCURRENT IS CORRECTED OR REMOVED.
	TYPE I - AUTOMATIC RESET CYCLES CONTINUOUSLY.

Part Number	Description
AC201-109	Circuit Breaker, 0.5 AMP, Manual Reset
AC201-110	Circuit Breaker, 6 AMP, Manual Reset
AC201-121	Circuit Breaker, 20 Amp, Type I
AC201-100	Circuit Breaker, 20 Amp, Type II
AC201-105	Circuit Breaker, 20 AMP, Manual Reset, Type III
AC201-113	Circuit Breaker, 20 Amp, Thermal Reset, (Panel Mount)
AC201-101	Circuit Breaker, 30 Amp, Type II
AC201-106	Circuit Breaker, 30 AMP, Manual Reset, Type III
AC201-119	Circuit Breaker, 40 Amp, Type I
AC201-112	Circuit Breaker, 40 AMP, Manual Reset, Type III
AC201-102	Circuit Breaker, 50 Amp, Type II
AC201-107	Circuit Breaker, 50 AMP, Manual Reset, Type III
AC201-122	Circuit Breaker, 50 Amp, Heavy Duty

6.9 PRESSURE SWITCHES



AC201-400



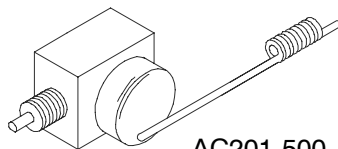
AC201-402



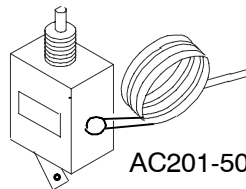
AC201-404

Part Number	Description
AC201-400	Switch, High, Female, 350-250 PSI, (GEN-I & GEN-II)
AC201-408	Switch, High, Female, 400-300 PSI
AC201-414	Switch, High, Female, 400-300 PSI, (GEN III & GEN 4)
AC201-413	Switch, High, Female, 425-325 PSI
AC201-401	Switch, Low, Female, Female O-Ring, GEN I
AC201-404	Switch, Low, Female, 10-25 PSI, (GEN I & GEN II)
AC201-412	Switch, Low, Female, 10-25 PSI, (GEN III & GEN 4)
AC201-409	Switch, Low, Female, 40-80 PSI
AC201-410	Switch, Low, Female, 60 PSI
AC201-402	Switch, Low, Male, (Receiver Drier)
AC201-403	Switch, Oil Pressure, (DM Series)

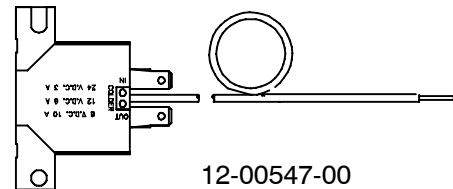
6.10 THERMOSTATS



AC201-500



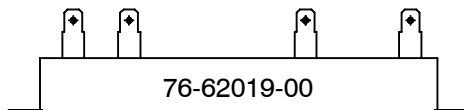
AC201-501



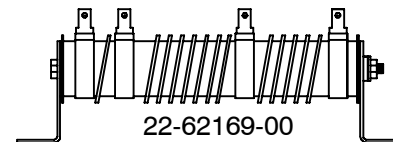
12-00547-00

AC201-500	Thermostat, Air, (With 2 Nuts)
AC201-501	Thermostat, Coil, Insert, (With 2 Nuts)
22-62007-00	Temperature Selector Assembly
12-00547-00	Thermostat, Non-Adjustable, Gen 5

6.11 DIODES-LIGHTS-RESISTORS



76-62019-00

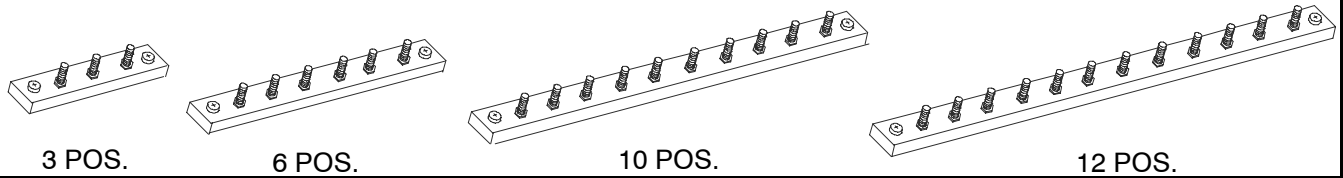


22-62169-00

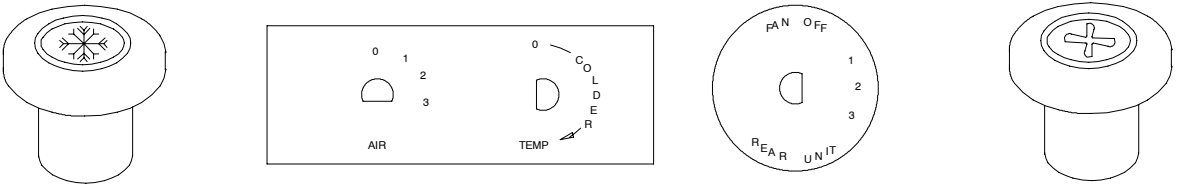
Part Number	Description
AC201-606	Buzzer, Mini, 12VDC
AC201-600	Diode, Inline, 6 AMP
AC201-603	Bulb, Lamp
AC201-602	Lampholder
AC201-604	Lens, Red
AC201-601	Light, LED, Red, 12 VDC
AC201-616	Light, LED, Red, 24 VDC
AC201-605	Light, Service
AC201-609	Resistor, 1.6 OHM, 3 Post
AC201-610	Resistor, 2.5 OHM, (For AC401-200 Blower Assembly)
AC201-623	Resistor, 1 OHM, With Bracket, (For AC401-205 Blower Assembly)
76-62019-00	Resistor, Kit, 1.8 OHM, 4 Post, GEN 4 Evaporators, (AC201-611)
22-62169-00	Resistor, 0.815 OHM, 220 Watt, 4 Post, Gen V Evaporators, (3 Speed)

6.12 GAUGES-SENDERS	
AC201-700	Hourmeter, Round
AC201-701	Voltmeter, Round
AC201-702	Gauge, Oil Pressure, Round (Cummins)
AC201-708	Gauge, Oil Pressure, Round, (Florida Specs.-Cummins)
AC201-709	Gauge, Oil Pressure, Round, (Kubota)
AC201-706	Gauge, Temperature Switch, Round, (Diesel Engine) (Includes: 3/8 Inch NPT Adapter)
AC201-707	Gauge, Temperature Switch, Round, (Gas Engine)
AC201-703	Sender, Oil Pressure, (Florida Specs.-Cummins)

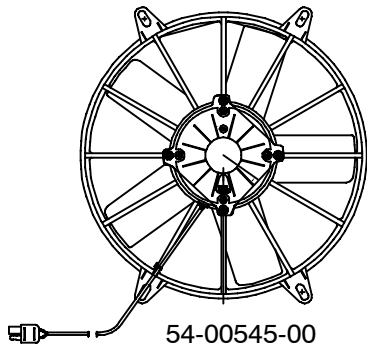
6.13 TERMINAL BOARDS



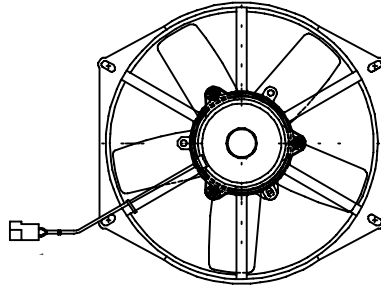
	3 POS.	6 POS.	10 POS.	12 POS.
22-01334-00	Terminal Board, 3 Position, 300 VDC, 30 Amp			
22-01334-01	Terminal Board, 4 Position, 300 VDC, 30 Amp			
22-01334-02	Terminal Board, 5 Position, 300 VDC, 30 Amp			
22-01334-03	Terminal Board, 6 Position, 300 VDC, 30 Amp			
22-01334-04	Terminal Board, 7 Position, 300 VDC, 30 Amp			
22-01334-05	Terminal Board, 8 Position, 300 VDC, 30 Amp			
22-01334-06	Terminal Board, 9 Position, 300 VDC, 30 Amp			
22-01334-07	Terminal Board, 10 Position, 300 VDC, 30 Amp			
22-01334-08	Terminal Board, 11 Position, 300 VDC, 30 Amp			
22-01334-09	Terminal Board, 12 Position, 300 VDC, 30 Amp			
22-01334-10	Terminal Board, 13 Position, 300 VDC, 30 Amp			
22-01334-11	Terminal Board, 14 Position, 300 VDC, 30 Amp			
22-01334-12	Terminal Board, 15 Position, 300 VDC, 30 Amp			
22-01334-13	Terminal Board, 16 Position, 300 VDC, 30 Amp			

6.14 HARNESS, ELECTRICAL	
AC201-904	Harness, With Connectors, EM-14, (GEN I)
AC201-905	Harness, Condenser Motor
AC201-910	Harness, Condenser, Black Jacket, (Gen IV)
AC201-921	Harness, Evaporator, Gray X Ft.
AC201-930	Harness, Evaporator, Blue X Ft.
22-62101-00	Cable, Evaporator, Gen 5 - GSA, Orange Jacket
22-62102-00	Cable, Evaporator, Gen 5 - GSA, White Jacket, (EM-3)
22-62103-00	Cable, Condenser, Gen 5 - GSA, Red Jacket
6.15 CONNECTORS, ELECTRICAL	
AC201-901	Connector, Relay Socket, (Use With AC201-931)
AC201-902	Harness With Connector, Fan Speed Switch, (Use With AC201-305)
AC201-928	Stud, Feed-Thru, (DM Series)
AC201-931	Lock, Packard, (Use With AC201-901)
AC201-946	Block, Junction, Stud-Type, 3/8-16
6.16 TIES, CABLE	
AC701-300	Tie, Cable, 6 inch, White
AC701-301	Tie, Cable, 15 inch, White
AC701-303	Tie, Cable, Mount
6.17 KNOBS AND SWITCHPLATES	
	
AC202-303	
AC202-301	
AC202-302	
AC202-300	
Part Number	Description
AC202-305	Cover, Dressing Nut
AC202-300	Knob, Fan, Rubber
AC202-304	Knob, Pointer, Black, With White Line, (EM-21)
AC202-303	Knob, Snowflake, Rubber
AC202-307	Nut, Hex, Fan Speed Switch
AC202-306	Guard, Switch
AC202-301	Plate, Switch, Rectangular
AC202-302	Plate, Switch, Round, (Rear Fans)
58-62152-00	Plate, Switch, Thermostat
6.18 READING LIGHTS	
22-62054-00	Reading Light, Dual Bulb, 12 VDC, (Gray)

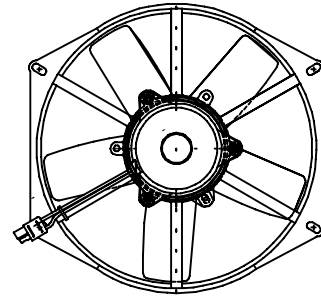
6.19 FAN BLADES AND FAN ASSEMBLIES



54-00545-00



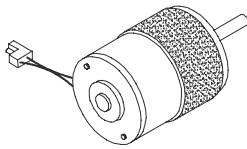
54-00545-01



54-00545-02

AC401-100	Blade, Fan, 10 inch, 35, Condenser
N/A	Blade, Fan, 14 inch, Plastic, (Power Pak DM-1 & DM-2) (AC401-102)
AC401-110	Assembly, Fan, Condenser, 11 inch, 12 VDC, (GEN III And GEN 4) Includes:
54-50080-00Motor, Fan, 12 VDC
44-50024-00Clip, Fan Blade
AC401-112	Blade, Fan, Condenser, (CM-8 And CM-13)
CM205-197	Assembly, Fan, Condenser, 11 inch, 24 VDC, (GEN III And GEN 4)
54-00545-00	Assembly, Fan, Condenser, 11 inch, 24 VDC, (SPAL)
54-00545-01	Assembly, Fan, Condenser, 11 inch, 24 VDC, (MPC)
54-00545-02	Assembly, Fan, Condenser, 11 inch, 12 VDC, (MPC)
54-00545-03	Assembly, Fan, Condenser, 11 inch, 12 VDC, Fused, GSA, (Gen 4)

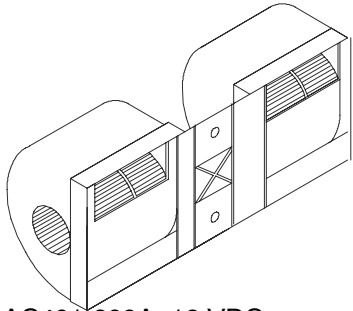
6.20 MOTORS



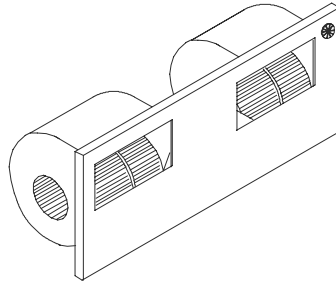
AC501-102 (12 VDC)
AC501-103A, (24 VDC)

AC501-102A	Motor, Condenser, 12 VDC, 2-1/2 Diameter With Gasket
AC501-103A	Motor, Condenser, 24 VDC, 2-1/2 Diameter With gasket
AC501-122	Motor, Evaporator, 12 VDC, (EM-10 & EM-17) - Includes:
22-50091-00Brush, Motor
04-50023-00Bearing, Motor
AC501-123	Motor, Evaporator, 12 VDC, (CM-6 And CM-13)
54-50080-00	Motor, Condenser, (Replacement for AC401-110)

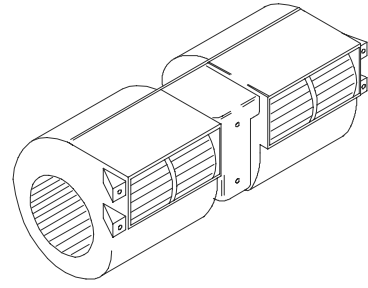
6.21 BLOWER ASSEMBLIES



AC401-200A, 12 VDC
AC401-201A, 24 VDC



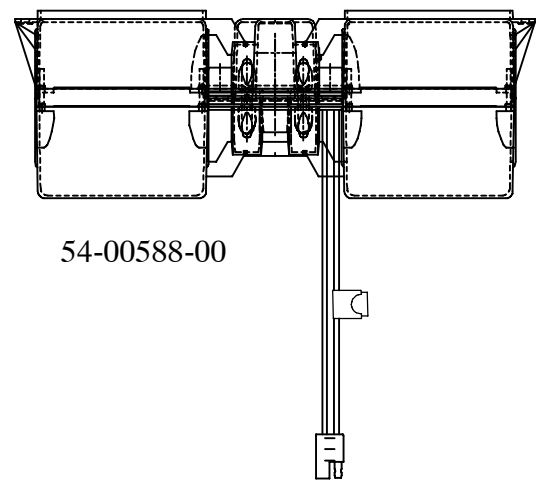
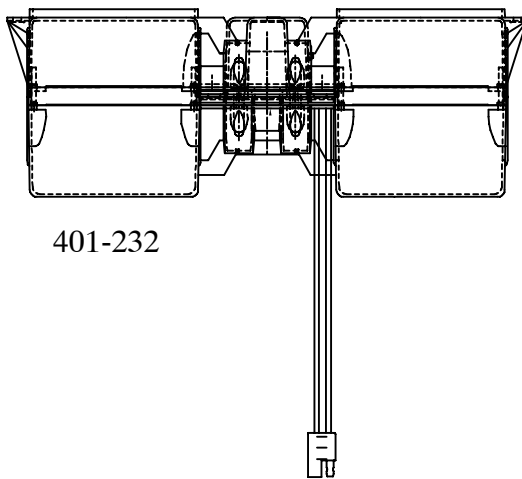
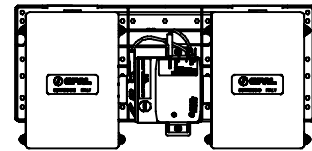
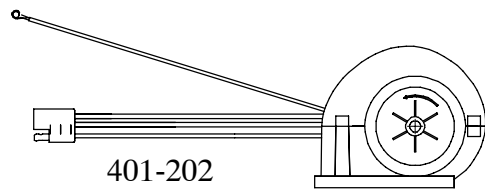
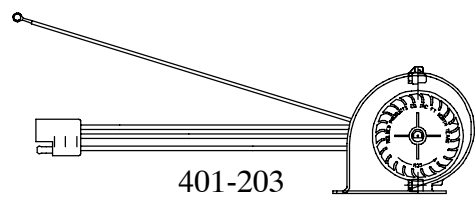
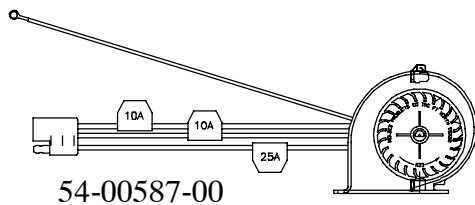
CM205-004RO
24 VDC



AC401-209A, 12 VDC
AC401-210A, 24 VDC

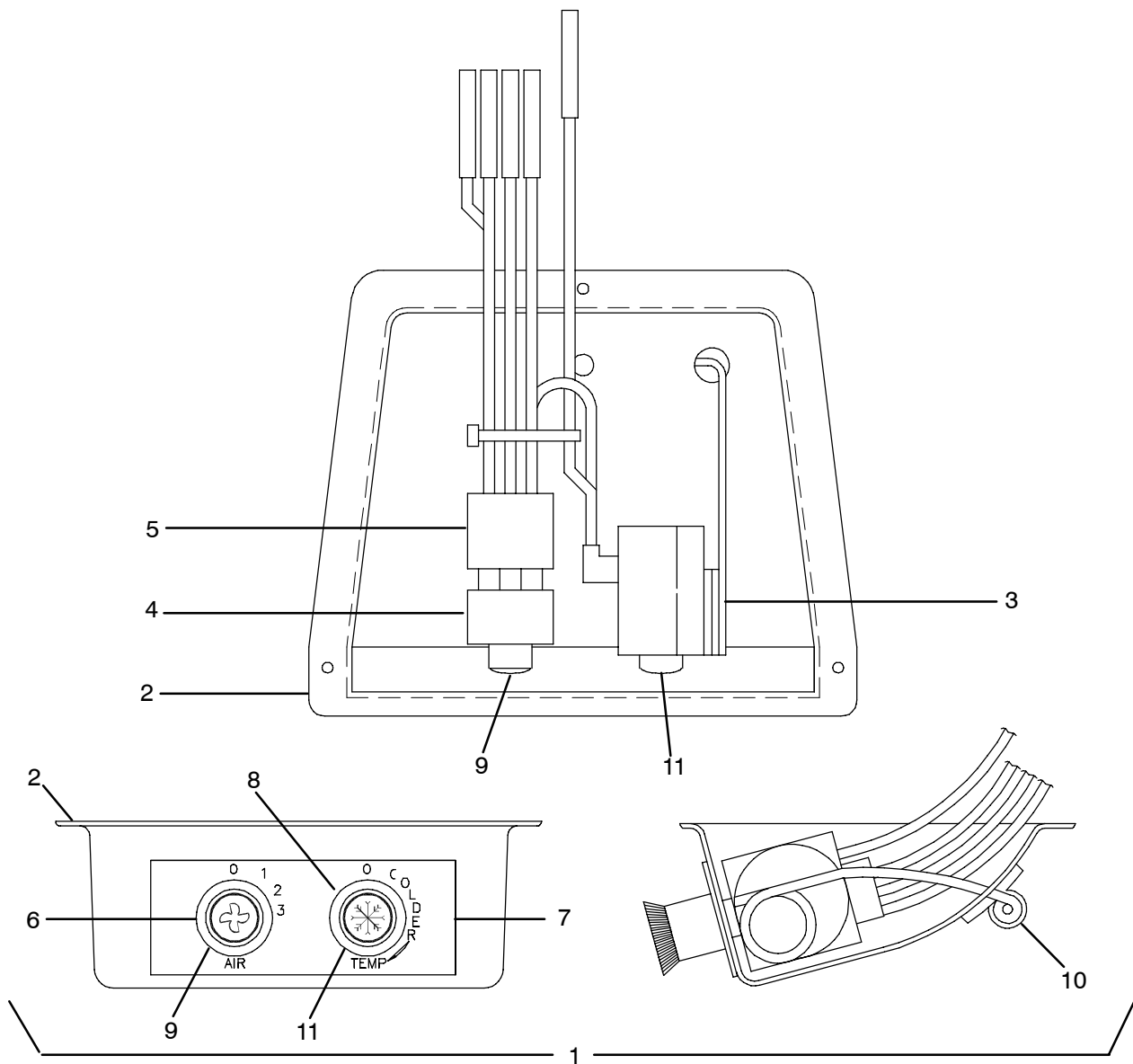
Part Number	Description
AC401-200A	Assembly, Blower, Dual, 12 VDC, GEN I Replacement Kit
AC401-201A	Assembly, Blower, Dual, 24 VDC, GEN I Replacement Kit
AC401-204	Assembly, Blower, Dual, 24 VDC, GEN II, (EM-14)
CM205-004RO	Assembly, Blower, Dual, 24 VDC, (EM-21 / EM-22 / EM-30)
AC401-209A	Assembly, Blower, Dual, 12 VDC, GEN II, (EM-1 / EM-2 / EM-3 / EM-6)
AC401-210A	Assembly, Blower, Dual, 24 VDC, GEN II, (EM-1 / EM-2 / EM-3 / EM-6)
AC401-214	Clip, Mounting, Use With 401-200
AC401-215	Blower Wheel, (EM-10)
AC401-216	Blower Housing, (EM-10)
AC401-217	Venturi Ring, (EM-10)
AC401-218	Assembly, Blower, Dual, 12 VDC, (EM-30)
AC401-219	Blower Housing, EM-10, Driver's Side
AC401-220	Blower Wheel, EM-10, Driver's Side
AC401-221	Assembly, Blower, Dual, 12 VDC, GEN III, (EM-1 / EM-2 / EM-3 / EM-6)
AC401-222	Assembly, Blower, Dual, 12 VDC, GEN III, (EM-1 / EM-2 / EM-3 / EM-6)
AC401-228	Assembly, Blower, Dual, 12 VDC, GEN III, (EM-14)
AC401-229	Assembly, Blower, Dual, 24 VDC, GEN III, (EM-14)
AC040-074	Assembly, Blower, Dual, 12 VDC, (EM-21) (Also Replacement Number AC401-202)
AC040-075	Assembly, Blower, Dual, 24 VDC, (EM-21) (Superseded by CM205-004RO)

6.21 BLOWER ASSEMBLIES - Continued



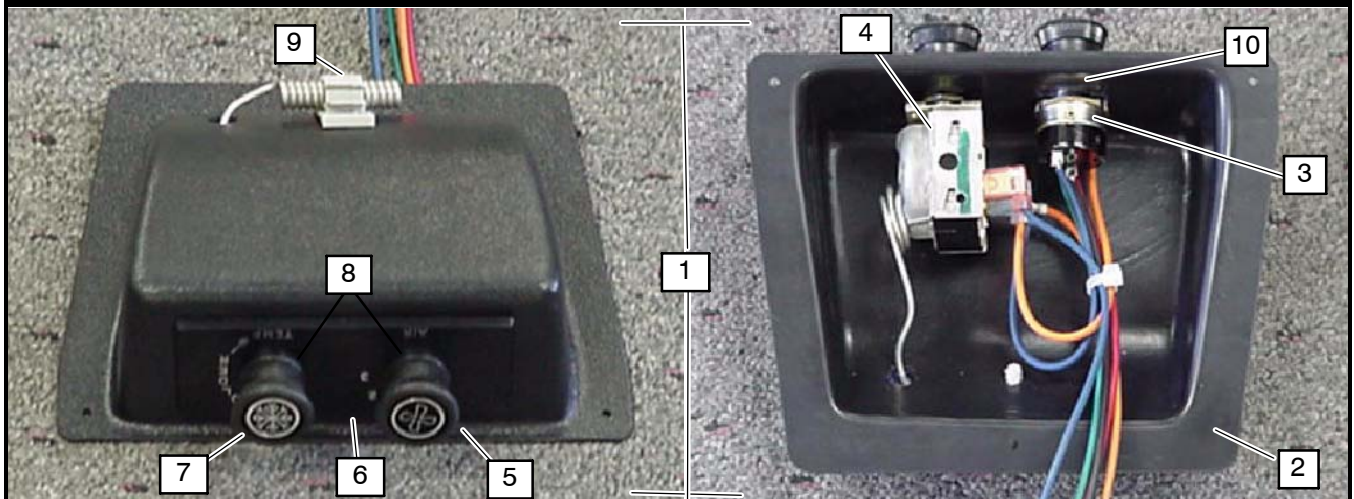
Part Number	Description
AC401-202	Fan & Motor Assembly, 12 VDC, EM-21 & EM-22
AC401-203	Fan & Motor Assembly, 12 VDC, GEN II, EM-14
AC401-232	Fan & Motor Assembly, 24 VDC, GEN 4, (EM-1 / EM-2 / EM-3 / EM-6)
AC401-233	Fan & Motor Assembly, 24 VDC, GEN 4, (EM-1 / EM-2 / EM-3 / EM-6)
54-00587-00	Fan & Motor Assembly, 12 VDC, Fused, Gen 4, GSA, (EM-14)
54-00588-00	Fan & Motor Assembly, 12 VDC, Fused, Gen 4, GSA
54-00606-00	Fan & Motor Assembly, 12 VDC, Permanent Magnet, IW-7

6.22 DRIVERS CONTROL PANEL (GEN 1 THROUGH GEN 4)



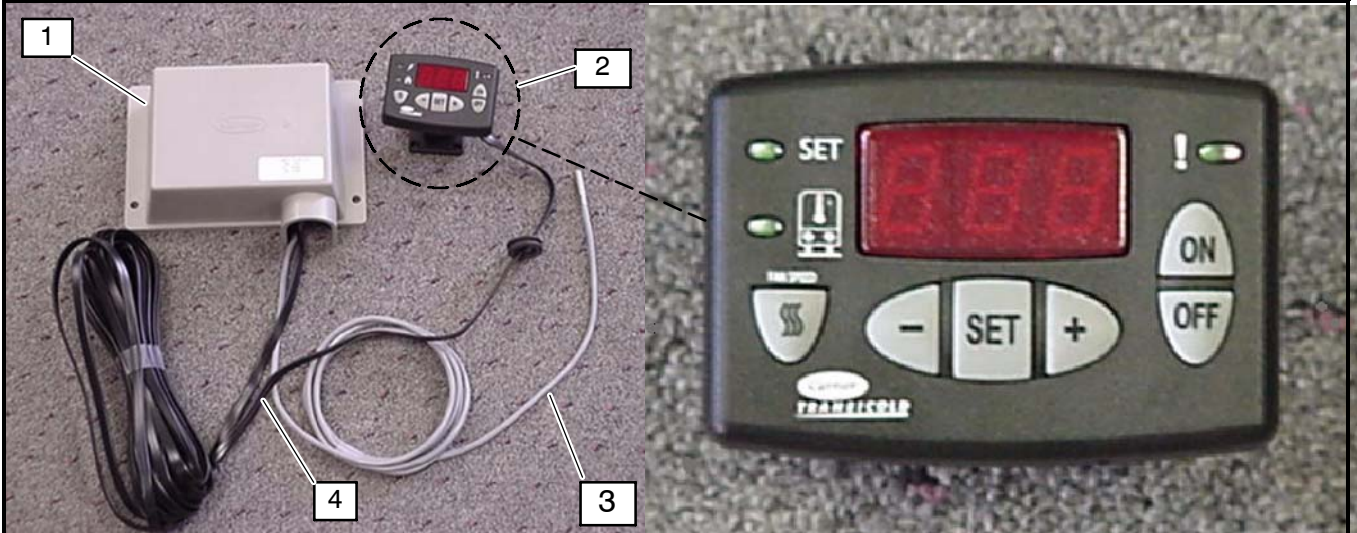
Item	Part Number	Description	Qty
1	AC010-006	Assembly, Drivers Control Panel, Consisting Of:	1
2	AC010-204Housing, Control Panel, Black, (Cover)	1
3	AC201-500Thermostat, With Double Nut	1
4	AC201-305Switch, Fan Speed	1
5	AC201-902Harness, With 5 Position Connector, (Fan Speed Switch)	1
6	AC202-300Knob, Fan	1
7	AC202-301Nameplate, plastic, Black	1
8	AC202-303Knob, Snowflake	1
9	AC202-305Nut, Cover, Dressing	2
10	AC701-206Clamp, Thermostat Coil	1
11	AC202-307Nut, Hex, 7/16-28 Thread	2
12	77-62135-00	Kit, Drivers Control Panel, (Items 3 through 11)	1

6.23 DRIVERS CONTROL PANEL GEN-5



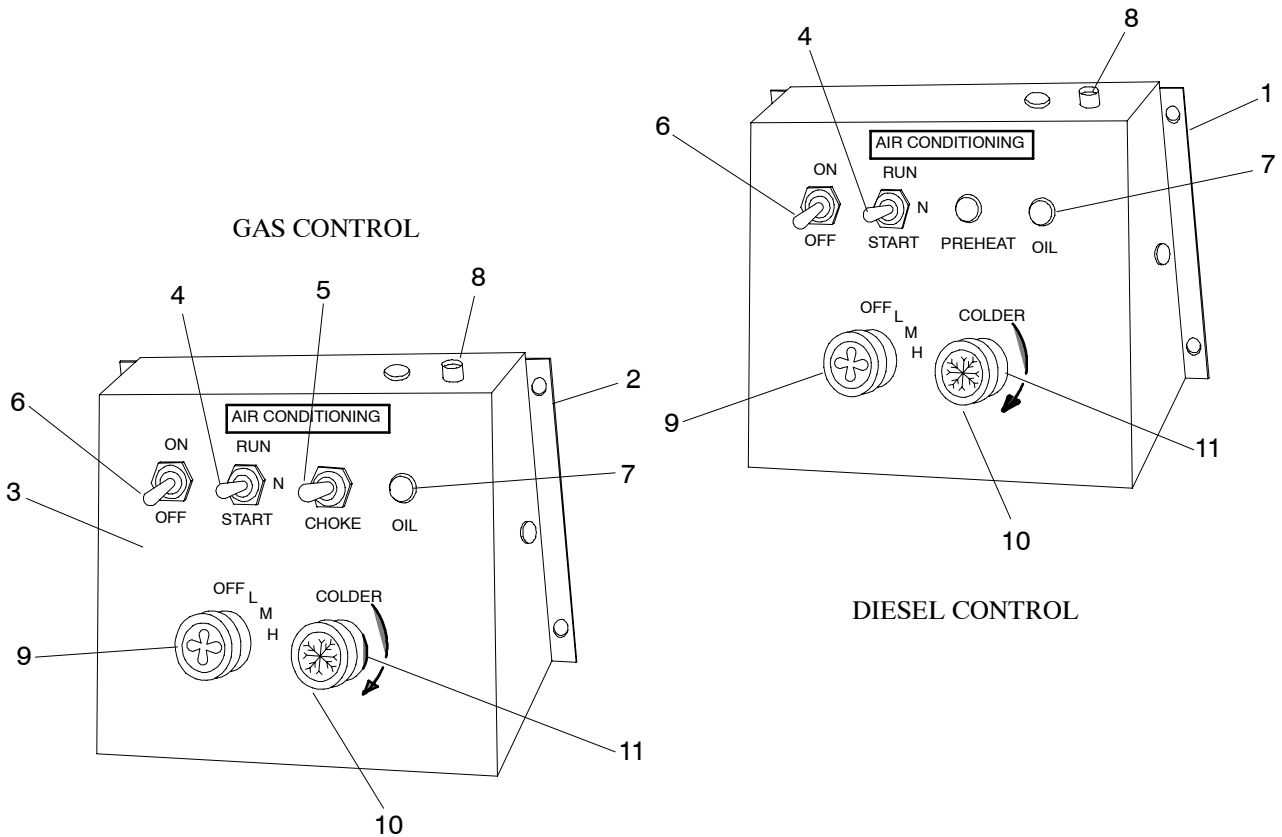
Item	Part Number	Description	Qty
1	91-62016-00	Assembly, Drivers Control Panel, Consisting Of:	1
2	AC010-204Housing, Control Panel, Black	1
3	22-62131-00Switch, Fan Speed	1
4	AC201-500Thermostat, Control With Double Nut	1
5	AC202-300Knob, Fan	1
6	AC202-301Switchplate, Control Panel, Plastic, Black	1
7	AC202-303Knob, Snowflake	1
8	AC302-305Nut, Cover	2
9	AC701-206Clamp, Thermostat Coil	1
10	AC202-307 Nut, Hex, (Fan Speed Switch)	2

6.24 DRIVERS CONTROL PANEL, (TOTAL CONTROL)



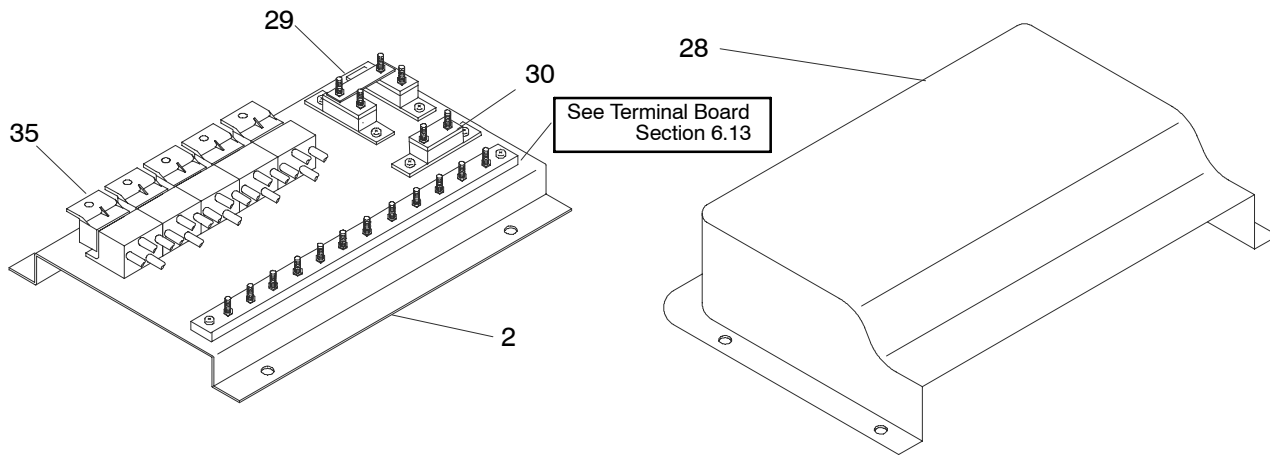
Item	Part Number	Description	Qty
1	12-00567-00	Module, Logic	1
2	12-00570-00	Cab Command	1
3	12-00512-02	Sensor, Thermistor, (50 Ft.)	1
	12-00512-00	Sensor, Thermistor, (6.9 Ft.)	1
4	22-60551-07	Cable, Cab Command, (52 Ft.)	1
	22-60551-06	Cable, Cab Command, (42 Ft.)	1
	22-60168-04	Cable, Cab Command, (32 Ft.)	1
	22-60168-03	Cable, Cab Command, (15 Ft.)	1
N/S	76-62139-00	Sensor Kit, Replacement, Includes:	1
	12-00512-08 Sensor, Thermistor (5 Ft.)	1
	22-01451-00 Butt Splice Connector, Insulated, (16-22 AWG)	2

6.25 DRIVERS CONTROL PANEL, POWER PACKS



Item	Part Number	Description	Qty
1	AC063-032	Weldment, Drivers Control, (Diesel)	1
2	AC061-198	Weldment, Drivers control, (Gas)	1
3	AC060-208	Nameplate (Gas)	1
N/S	AC201-108	Resistor, 40 Ohm, 2 Amp, (Gas/Diesel)	1
4	AC201-302	Switch, Toggle, SPDT, (ON-OFF-MOM), (Gas/Diesel)	1
5	AC201-303	Switch, Toggle, SPST, (OFF-MOM), (Gas)	1
6	AC201-304	Switch, Toggle, SPST, (ON-OFF), (Gas/Diesel)	1
N/S	AC201-305	Switch, Fan Speed, (Gas/Diesel)	1
N/S	AC201-500	Thermostat, Air, (Gas/Diesel)	1
7	AC201-601	Light, LED, Red, (Gas/Diesel)	1
8	AC201-607	Lampholder, (Gas/Diesel)	1
N/S	AC201-608	Lamp, Bulb, (Gas/Diesel)	1
N/S	AC201-912	Harness, With 9 Circuit Connector, (Gas/Diesel)	1
N/S	AC201-918	Harness, With 3 Circuit Connector, (Gas/Diesel)	1
9	AC202-300	Knob, Fan, Rubber, (Gas/Diesel)	1
10	AC202-303	Knob, Snowflake, Rubber, (Gas/Diesel)	1
11	AC202-305	Nut, Cover, (Gas/Diesel)	2
N/S	AC701-206	Clamp, thermostat, (Gas/Diesel)	1
N/S	AC801-511	Plug, For 7/16 inch Hole, (Gas)	2

6.26 CONTROL PANEL - AC-340 THROUGH AC-866

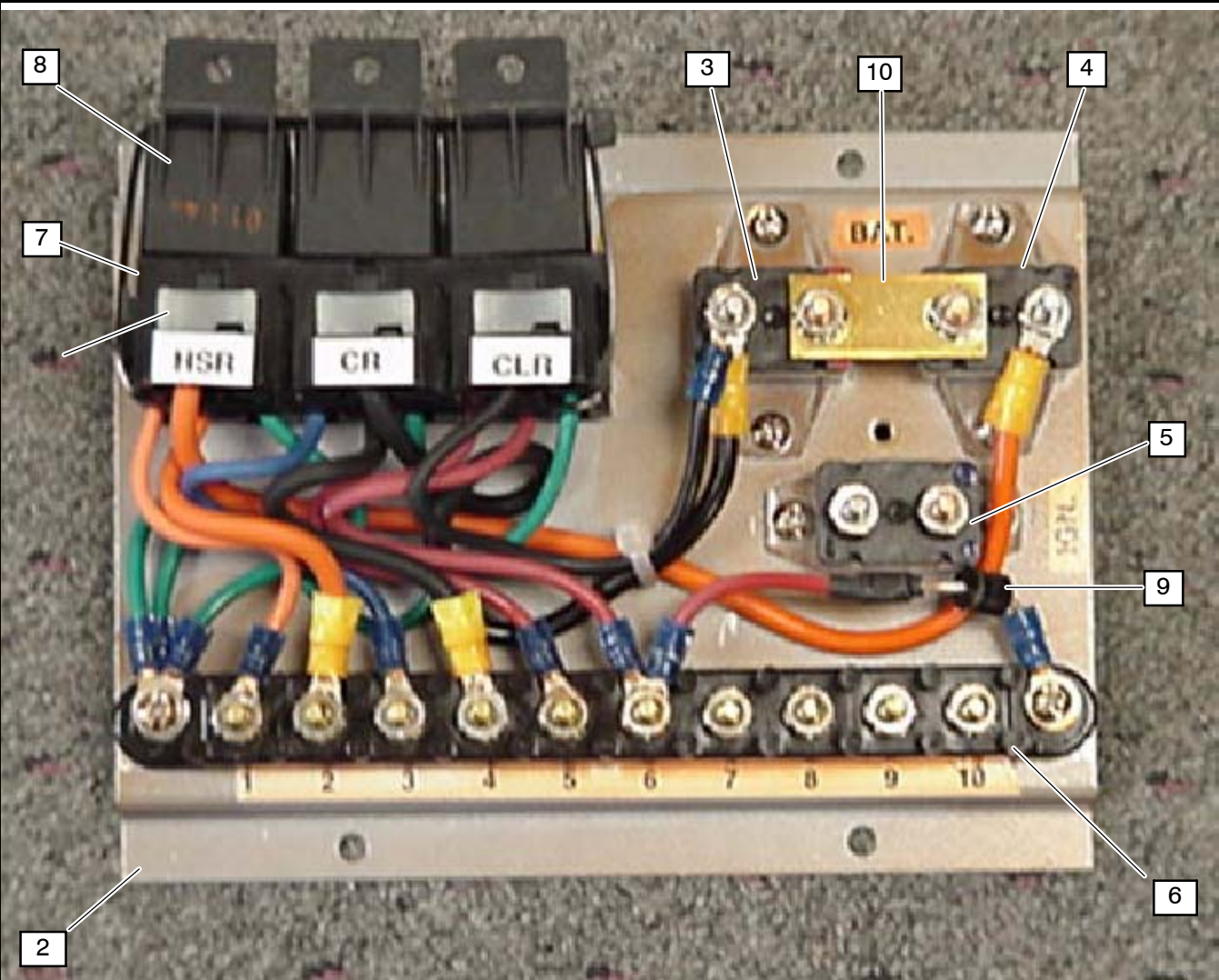


Item	Part Number	Description	Qty
1	AC010-218	Channel, Mounting, Electrical Components, (AC-340 To Ac-663)	A/R
2	AC021-155	Channel, Mounting, Electrical Components, (AC-862 & AC-863)	A/R
3	AC010-223	Assembly, Electrical Panel, #2, AC-552, AC-553, With CLR	A/R
4	AC010-292	Assembly, Electrical Panel, #2, AC-552, AC-553, With CLR, (24 VDC)	A/R
5	AC010-225	Assembly, Electrical Panel, #4, AC-442, AC-444, With CLR	A/R
6	AC010-296	Assembly, Electrical Panel, #4, AC-552, AC-553, With CLR, (24 VDC)	A/R
7	AC010-227	Assembly, Electrical Panel, #6, AC-340, With CLR	A/R
8	AC010-229	Assembly, Electrical Panel, #8, AC-862, AC-863, With CLR	A/R
9	AC010-332	Assembly, Electrical Panel, #8, AC-862, AC-863, With CLR, (24 VDC)	A/R
10	AC010-236	Assembly, Electrical Panel, #9, AC-663, With CLR	A/R
11	AC010-298	Assembly, Electrical Panel, #9, AC-663, With CLR, (24 VDC)	A/R
12	AC010-260	Assembly, Electrical Panel, #11, AC-552, AC-553, With CLR & MSR	A/R
13	AC010-262	Assembly, Electrical Panel, #12, AC-643, With CLR	A/R
14	AC010-312	Assembly, Electrical Panel, AC-866	A/R
15	AC010-378	Assembly, Electrical Panel, AC-862, AC-863, With 2 CLR	A/R
16	AC010-479	Assembly, Electrical Panel, AC-862, AC-863, With 2 CLR & LSR	A/R
17	AC010-560	Assembly, Electrical Panel, GEN 4, #2, AC-552, AC-553, With CLR	A/R
18	AC010-561	Assembly, Electrical Panel, GEN 4, #4, AC-442, AC-444, With CLR	A/R
19	AC010-562	Assembly, Electrical Panel, GEN 4, #2, AC-552/553, With CLR, (24 VDC)	A/R
20	AC010-563	Assembly, Electrical Panel, GEN 4, #6, ,AC-340, With CLR	A/R
21	AC010-564	Assembly, Electrical Panel, GEN 4, #12, AC-643, With CLR	A/R
22	AC010-565	Assembly, Electrical Panel, GEN 4, #11, AC-552/553, With CLR & MSR	A/R
23	AC010-566	Assembly, Electrical Panel, GEN 4, AC-662, AC-663, With CLR	A/R
24	AC010-567	Assembly, Electrical Panel, GEN 4, AC-662, AC-663, With CLR, (24VDC)	A/R
25	AC010-568	Assembly, Electrical Panel, GEN 4 ,AC-862, AC-863, With CLR	A/R
26	AC010-569	Assembly, Electrical Panel, GEN 4, AC-862/863, With CLR, (24 VDC)	A/R
27	AC010-570	Assembly, Electrical Panel, GEN 4, AC-862/863, With 2 CLR	A/R
28	AC011-083	Cover, Electrical Panel	A/R
29	AC021-156	Buss Bar, Brass	A/R
30	AC201-100	Circuit Breaker, 20 AMP, (Type II)	A/R

6.26 CONTROL PANEL - AC-340 THROUGH AC-866 - Continued:

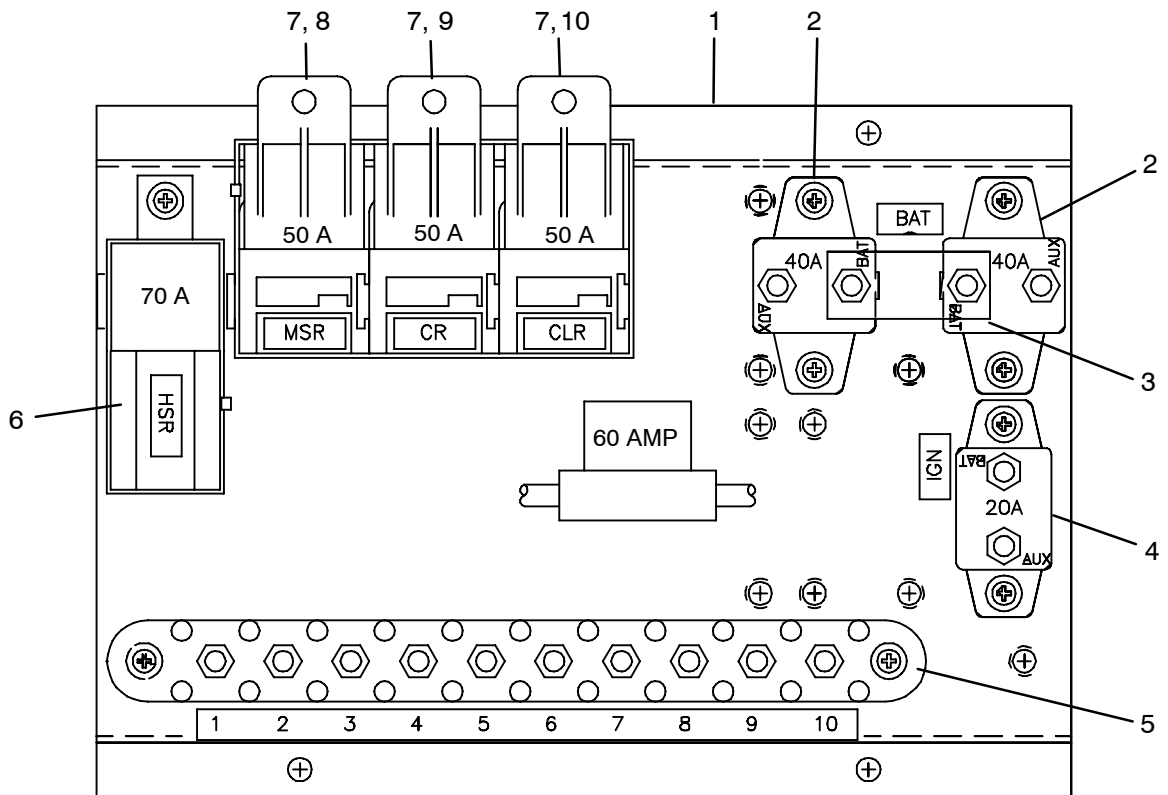
Item	Part Number	Description	Qty
31	AC201-105	Circuit Breaker, 20 AMP, Manual	A/R
32	AC201-106	Circuit Breaker, 30 AMP, Manual	A/R
33	AC201-112	Circuit Breaker, 40 AMP, Manual	A/R
34	AC201-107	Circuit Breaker, 50 AMP, Manual	A/R
35	10-00286-14	Relay, 4 Prong, 12 VDC, 40 AMP	A/R
36	10-00301-00	Relay, 5 Prong, 24 VDC, 10/20 AMP	A/R
37	10-00328-00	Relay, 4 Prong, 12 VDC, 70 AMP	A/R
38	AC201-922	Connector, High Speed Relay	A/R
39	AC201-923	Connector, Condenser Relay	A/R
40	AC201-924	Connector, Clutch Relay	A/R
41	AC201-926	Connector, Medium Speed Relay	A/R

6.27 CONTROL PANEL, STANDARD, GEN V



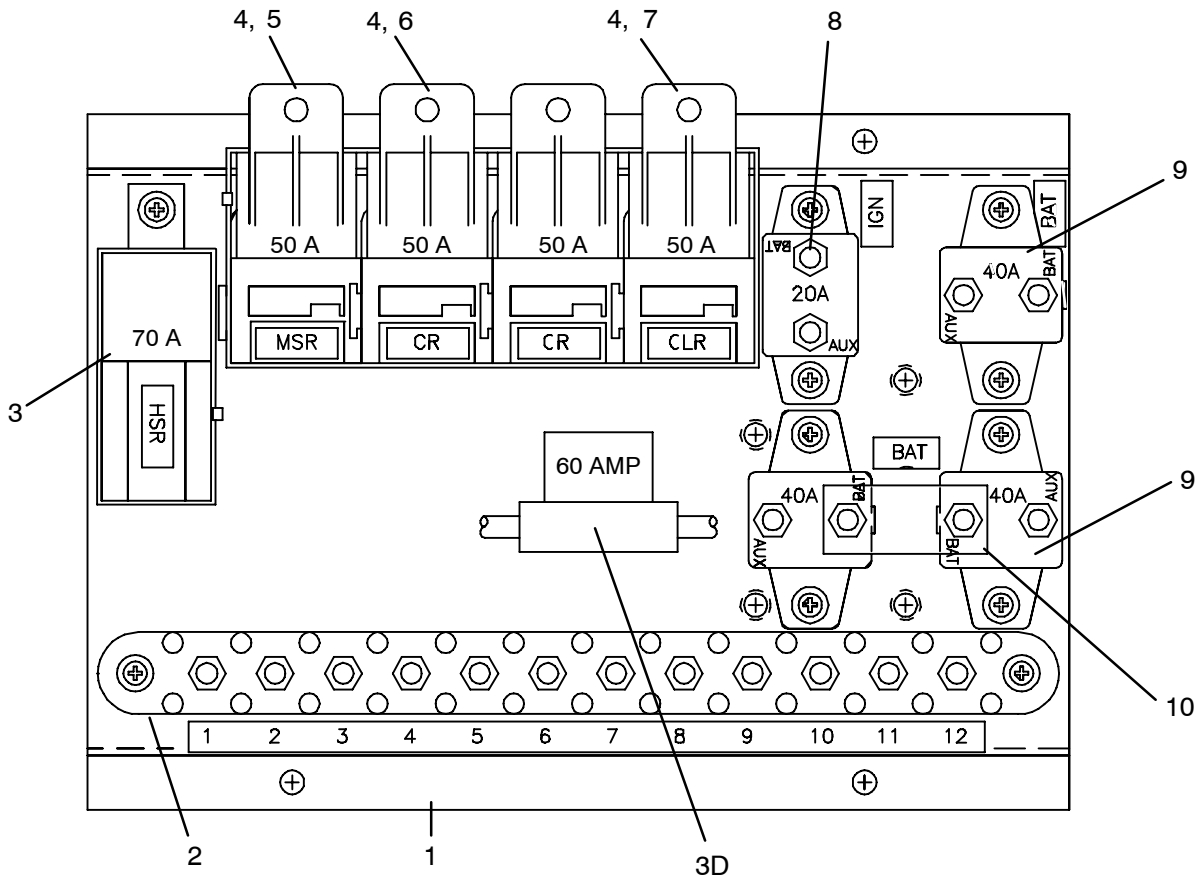
Item	Part Number	Description	Qty
1	91-62015-00	Panel Assembly, Electrical, 12 VDC, (GenV) Shown Above, Includes:	1
2	AC010-218Channel, Mounting, Electrical Components	1
3	AC201-112Breaker, Circuit, 40 Amp	1
4	AC201-107Breaker, Circuit, 50 Amp	1
5	22-50245-00Breaker, Circuit, 10 Amp	1
6	22-01334-07Board, Terminal, 10 position	1
7	AC201-922Connector, /Lock Assembly, Relay, With Wiring (HSR) - Includes:	1
7A	AC201-901Connector, Relay	1
7B	AC201-931Lock, Connector, Relay	1
7	22-62238-02Connector, /Lock Assembly, Relay, With Wiring (CR) - Includes:	1
7A	AC201-901Connector, Relay	1
7B	AC201-931Lock, Connector, Relay	1
7	22-62238-03Connector, /Lock Assembly, Relay, With Wiring (CLR) - Includes:	1
7A	AC201-901Connector, Relay	1
7B	AC201-931Lock, Connector, Relay	1
8	10-00286-14Relay, 40 Amp, 12 VDC	3
9	AC201-600Diode, 6 Amp, 200 VDC	1
10	AC021-156Buss Bar	1

6.28 CONTROL PANEL, AC663



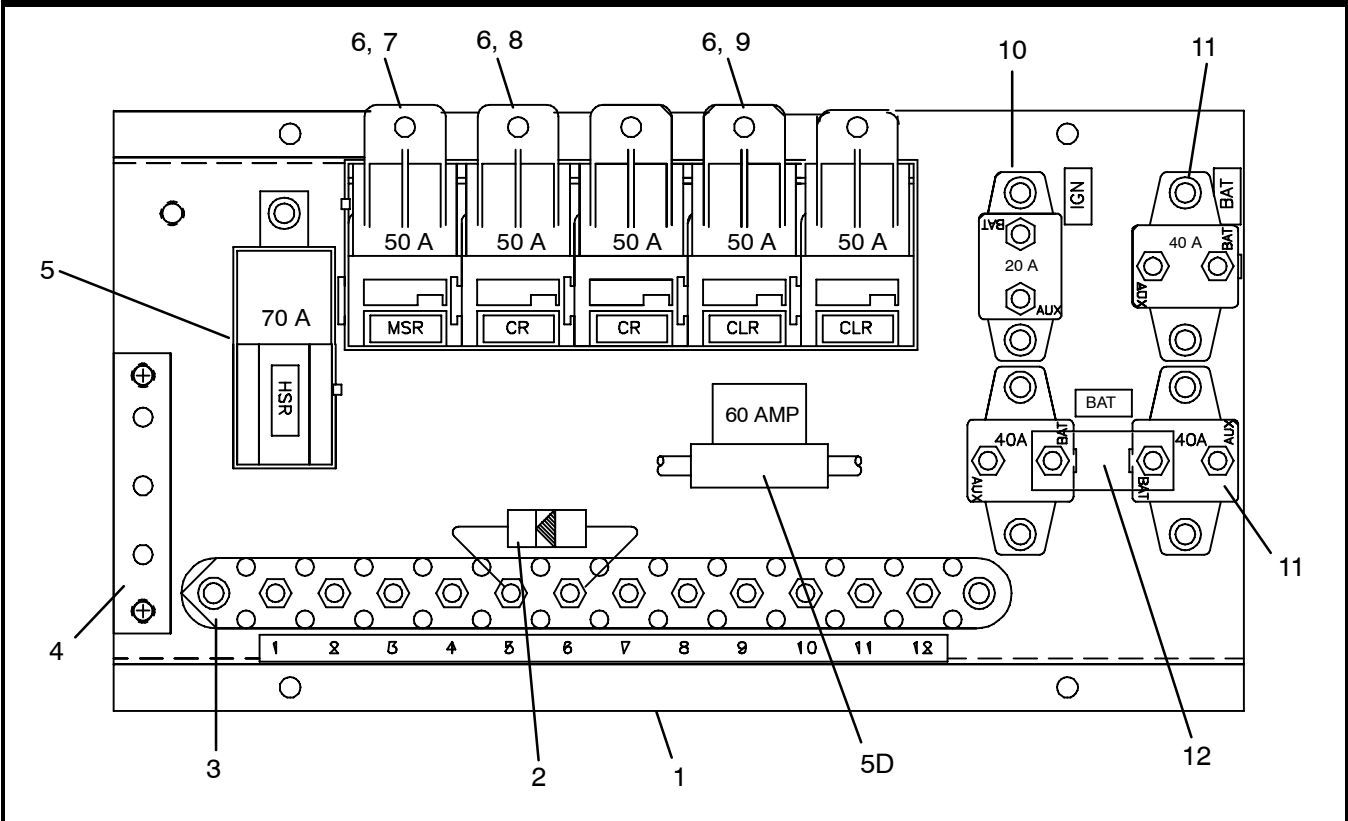
Item	Part Number	Description	Qty
-	91-62017-00	Panel Assembly, Electrical, AC663, 12 VDC, (Shown Above), Includes:	1
1	AC021-155Channel, Mounting, Electrical Components	1
2	AC201-112Breaker, Circuit, 40 Amp	2
3	AC021-156 BussBar	1
4	AC201-100Breaker, Circuit, 20 Amp	1
5	22-01334-07Board, Terminal, 10 Position	1
6	22-62210-01Relay/Connector Assembly, With Wiring & Fuse - Includes:	1
6A	10-00328-00Relay, 70 Amp, 12 VDC	1
6B	22-50078-18Connector, Relay	1
6C	22-62110-00Holder, Fuse, Inline, With Cover	1
6D	22-02336-17Fuse, 60 Amp	1
6E	AC901-513Label, HSR (High Speed Relay)	1
7	10-00286-14Relay, 50 Amp, 12 VDC	3
8	22-62238-00Connector/Lock Assembly, Relay, With Wiring (MSR) - Includes:	1
8A	AC201-901Connector, Relay	1
8B	AC201-931Lock, Connector, Relay	1
9	22-62238-02Connector/Lock Assembly, Relay, With Wiring (CR) - Includes:	1
9A	AC201-901Connector, Relay	1
9B	AC201-931Lock, Connector, Relay	1
10	22-62238-03Connector/Lock Assembly, Relay, With Wiring (CLR) - Includes:	1
10A	AC201-901Connector, Relay	1
10B	AC201-931Lock, Connector, Relay	1

6.29 CONTROL PANEL, AC863, 12 VDC



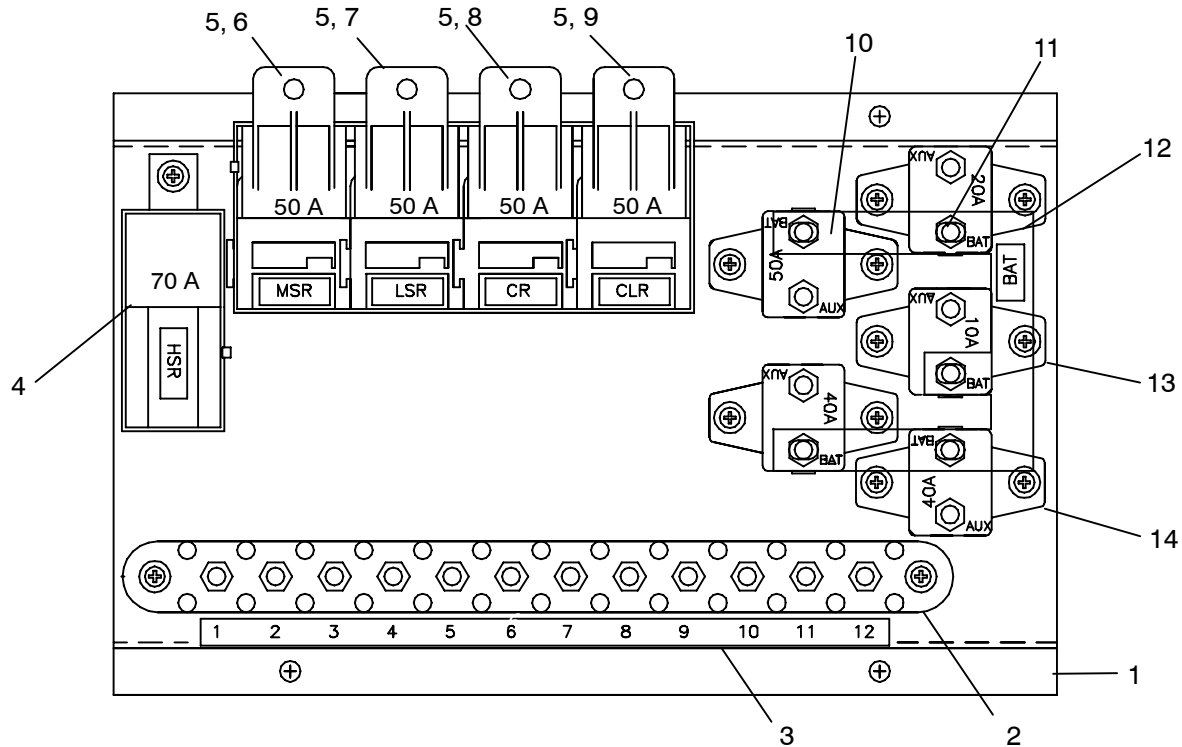
Item	Part Number	Description	Qty
-	91-62018-00	Panel Assembly, Electrical, AC863, 12 VDC, (Shown Above), Includes:	1
1	AC021-155Channel, Mounting, Electrical Components	1
2	AC201-927Board, Terminal, 12 position	1
3	22-62210-01Relay/Connector Assembly, With Wiring & Fuse - Includes:	1
3A	10-00328-00Relay, 70 Amp, 12 VDC	1
3B	22-50078-18Connector, Relay	1
3C	22-62110-00Holder, Fuse, INline, With Cover	1
3D	22-02336-17Fuse, 60 Amp	1
3E	AC901-513Label, HSR (High Speed Relay)	1
4	10-00286-14Relay, 50 Amp, 12 VDC	4
5	22-62238-00Connector/Lock Assembly, Relay, With Wiring (MSR) - Includes:	1
5A	AC201-901Connector, Relay	1
5B	AC201-931Lock, Connector, Relay	1
6	22-62238-02Connector/Lock Assembly, Relay, With Wiring (CR) - Includes:	2
6A	AC201-901Connector, Relay	1
6B	AC201-931Lock, Connector, Relay	1
7	22-62238-03Connector/Lock Assembly, Relay, With Wiring (CLR) - Includes:	1
7A	AC201-901Connector, Relay	1
7B	AC201-931Lock, Connector, Relay	1
8	AC201-100Breaker, Circuit, 20 Amp	1
9	AC201-112Breaker, Circuit, 40 Amp	3
10	AC021-156Bar, Buss	1

6.30 CONTROL PANEL, AC863 - (2) CL



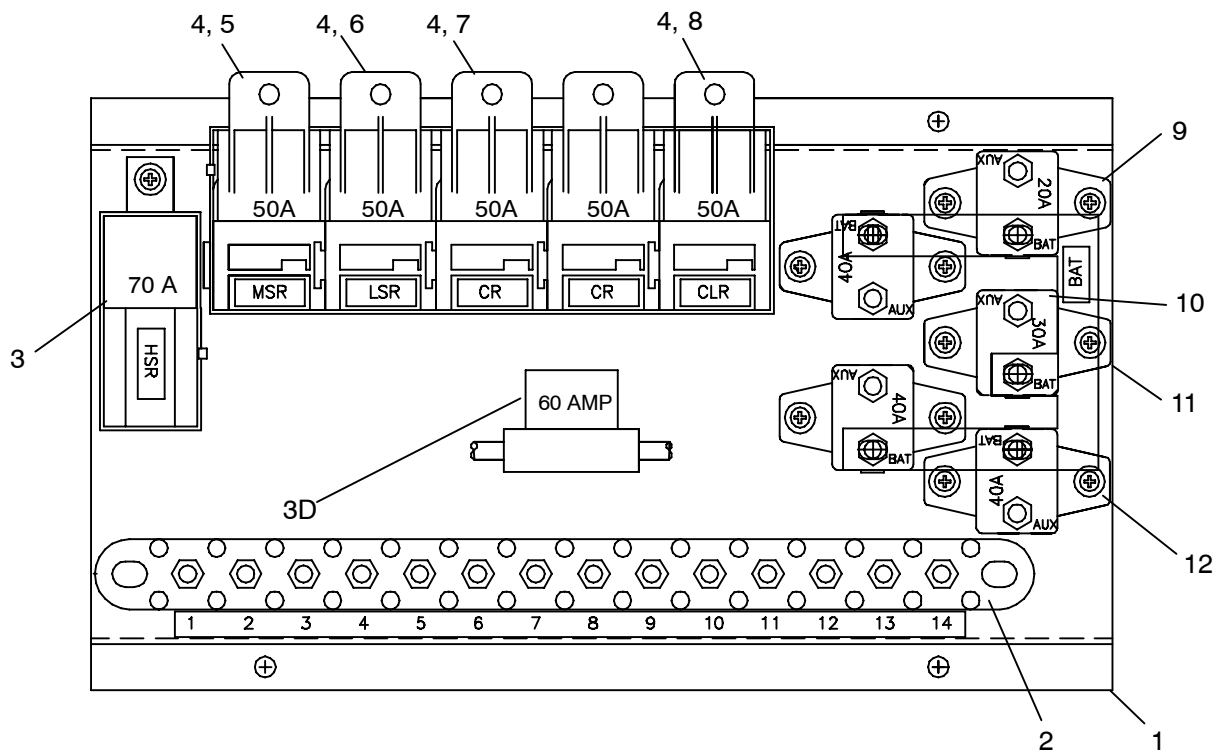
Item	Part Number	Description	Qty
-	91-62019-00	Panel Assembly, Electrical, AC863, 12 VDC, (Shown Above), Includes:	1
1	AC021-270Channel, Mounting, Electrical Components	1
2	AC201-600Diode, 6 Amp, 200 VDC	1
3	22-01334-09Board, Terminal, 12 position	1
4	22-01334-00Board, Terminal, 3 position	1
5	22-62210-01Relay/Connector Assembly, With Wiring & Fuse - Includes:	1
5A	10-00328-00Relay, 70 Amp, 12 VDC	1
5B	22-50078-18Connector, Relay	1
5C	22-62110-00Holder, Fuse, INline, With Cover	1
5D	22-02336-17Fuse, 60 Amp	1
5E	AC901-513Label, HSR (High Speed Relay)	1
6	10-00286-14Relay, 50 Amp, 12 VDC	5
7	22-62238-00Connector/Lock Assembly, Relay, With Wiring (MSR) - Includes:	1
7A	AC201-901Connector, Relay	1
7B	AC201-931Lock, Connector, Relay	1
8	22-62238-02Connector/Lock Assembly, Relay, With Wiring (CR) - Includes:	2
8A	AC201-901Connector, Relay	1
8B	AC201-931Lock, Connector, Relay	1
9	22-62238-03Connector/Lock Assembly, Relay, With Wiring (CLR) - Includes:	2
9A	AC201-901Connector, Relay	1
9B	AC201-931Lock, Connector, Relay	1
10	AC201-100Breaker, Circuit, 20 Amp	1
11	AC201-112Breaker, Circuit, 40 Amp	3
12	AC021-156Buss Bar	1

6.31 CONTROL PANEL, GSA



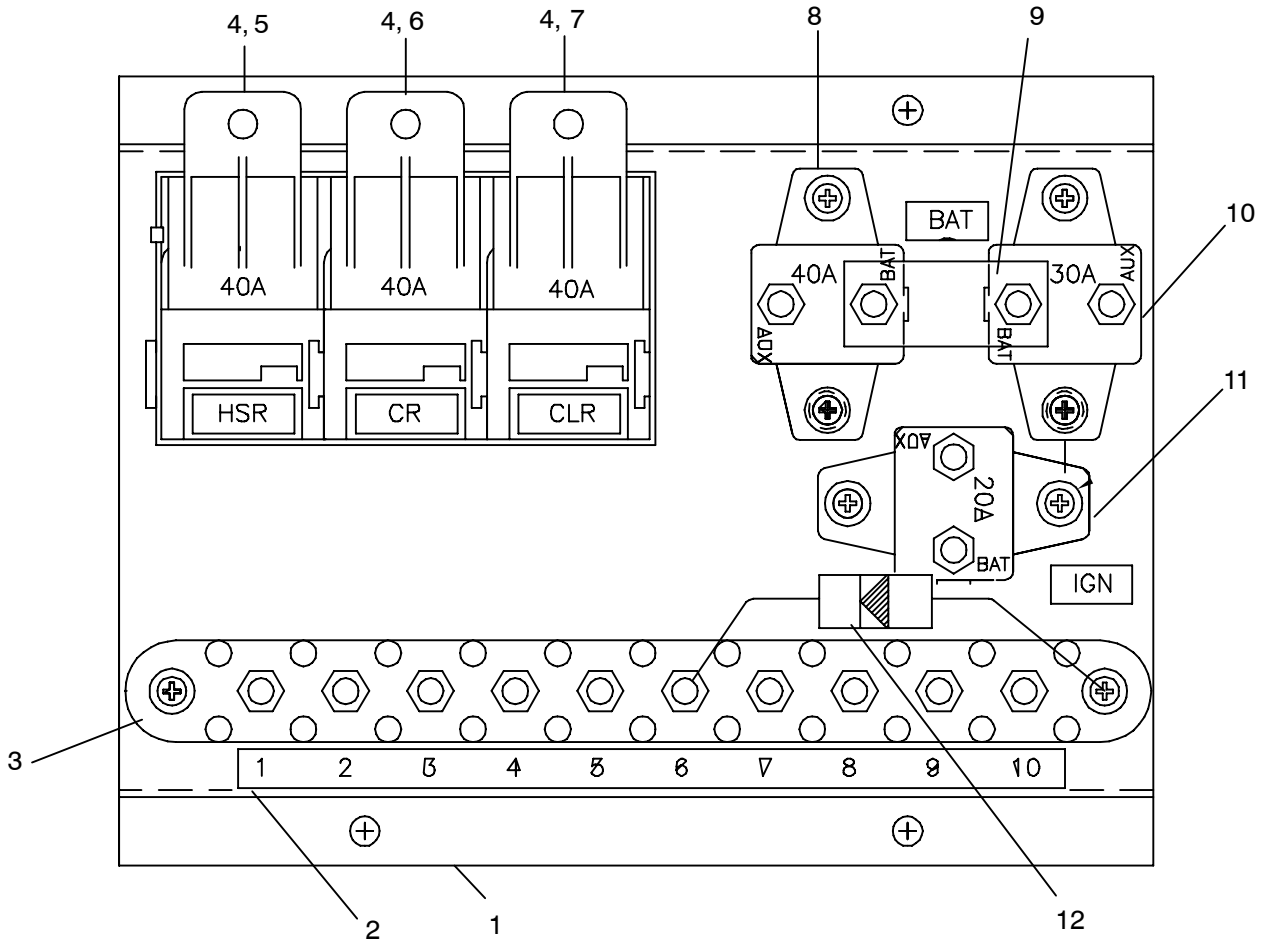
Item	Part Number	Description	Qty
-	91-62022-00	Panel Assembly, Electrical, GSA, 12 VDC, (Shown Above), Includes:	1
1	68-62828-00Channel, Mounting, Electrical Components	1
2	22-01334-09Board, Terminal, 12 position	1
3	AC901-517Label, Terminal Board, 12 Position	1
4	22-62210-01Relay/Connector Assembly, With Wiring & Fuse - Includes:	1
4A	10-00328-00Relay, 70 Amp, 12 VDC	1
4B	22-50078-18Connector, Relay	1
4C	AC901-513Label, HSR (High Speed Relay)	1
5	10-00286-14Relay, 50 Amp, 12 VDC	5
6	22-62238-00Connector/Lock Assembly, Relay, With Wiring (MSR) - Includes:	1
6A	AC201-901Connector, Relay	1
6B	AC201-931Lock, Connector, Relay	1
7	22-62238-01Connector/Lock Assembly, Relay, With Wiring (LSR) - Includes:	1
7A	AC201-901Connector, Relay	1
7B	AC201-931Lock, Connector, Relay	1
8	22-62238-02Connector/Lock Assembly, Relay, With Wiring (CR) - Includes:	1
8A	AC201-901Connector, Relay	1
8B	AC201-931Lock, Connector, Relay	1
9	22-62238-03Connector/Lock Assembly, Relay, With Wiring (CLR) - Includes:	1
9A	AC201-901Connector, Relay	1
9B	AC201-931Lock, Connector, Relay	1
10	AC201-107Breaker, Circuit, 50 Amp, Manual Reset	1
11	AC201-105Breaker, Circuit, 20 Amp, Manual Reset	1
12	68-62860-00Buss Bar	1
13	AC201-105-1Breaker, Circuit, 10 Amp, Manual Reset	1
14	AC201-112Breaker, Circuit, 40 Amp, Manual Reset	2

6.32 CONTROL PANEL, EM-3 GSA



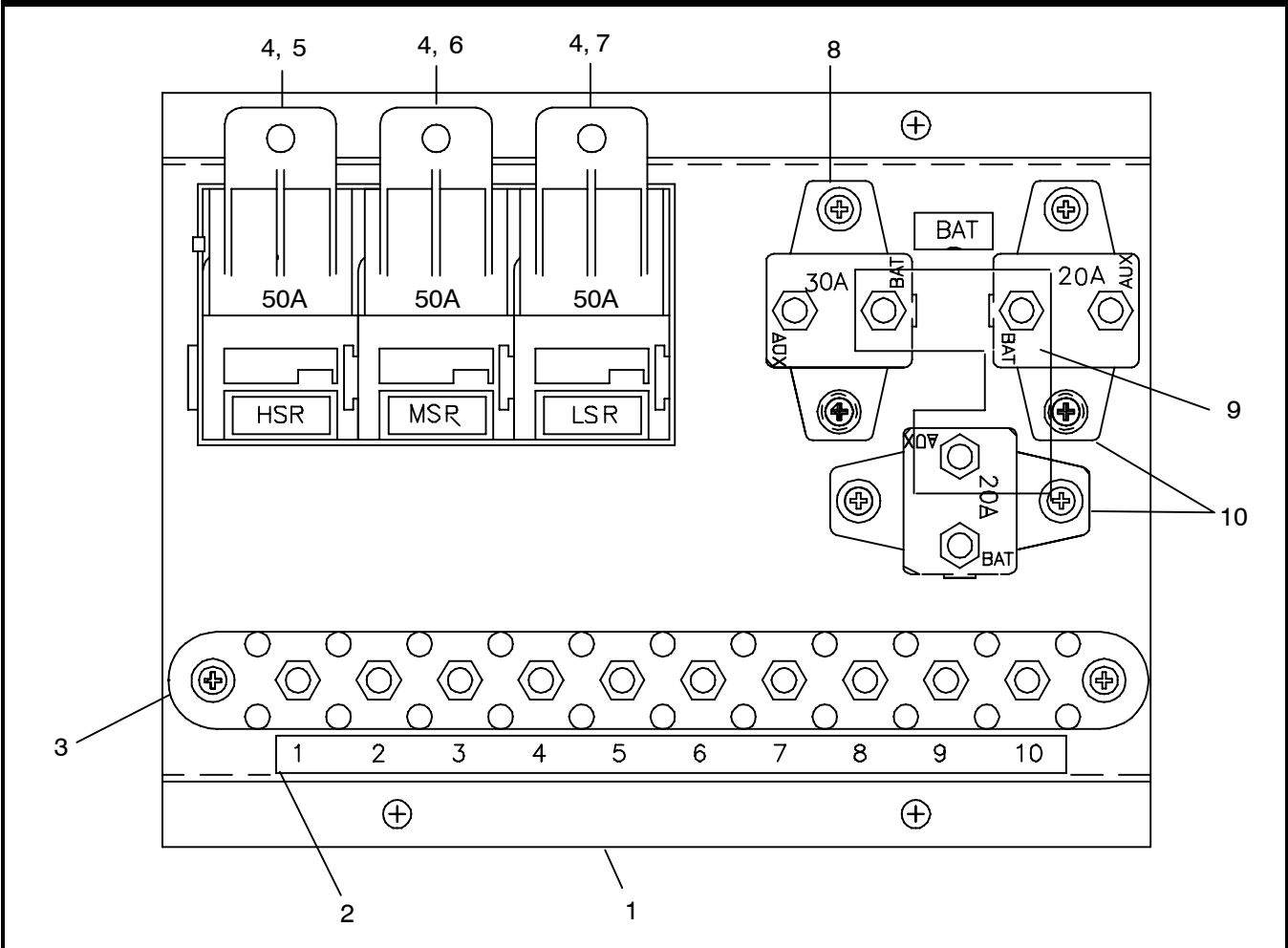
Item	Part Number	Description	Qty
-	91-62023-00	Panel Assembly, Electrical, EM-3, GSA 12 VDC, (Above), Includes:	1
1	68-62850-00Channel, Mounting, Electrical Components	1
2	22-01344-11Board, Terminal, 14 position	1
3	22-62210-01Relay/Connector Assembly, With Wiring & Fuse - Includes:	1
3A	10-00328-00Relay, 70 Amp, 12 VDC	1
3B	22-50078-18Connector, Relay	1
3C	22-62110-00Holder, Fuse, Inline, With Cover	1
3D	22-02336-17Fuse, 60 Amp	1
3E	AC901-513Label, HSR (High Speed Relay)	1
4	10-00286-14Relay, 50 Amp, 12 VDC	5
5	22-62238-00Connector/Lock Assembly, Relay, With Wiring (MSR) - Includes:	1
5A	AC201-901Connector, Relay	1
5B	AC201-931Lock, Connector, Relay	1
6	22-62238-01Connector/Lock Assembly, Relay, With Wiring (LSR) - Includes:	1
6A	AC201-901Connector, Relay	1
6B	AC201-931Lock, Connector, Relay	1
7	22-62238-02Connector/Lock Assembly, Relay, With Wiring (CR) - Includes:	2
7A	AC201-901Connector, Relay	1
7B	AC201-931Lock, Connector, Relay	1
8	22-62238-03Connector/Lock Assembly, Relay, With Wiring (CLR) - Includes:	1
8A	AC201-901Connector, Relay	1
8B	AC201-931Lock, Connector, Relay	1
9	AC201-105Breaker, Circuit, 20 Amp, Manual Reset	1
10	68-62860-00Buss Bar	1
11	AC201-106Breaker, Circuit, 30 Amp, Manual Reset	1
12	AC201-112Breaker, Circuit, 40 Amp, Manual Reset	3

6.33 CONTROL PANEL, AC553, 24VDC, GEN V



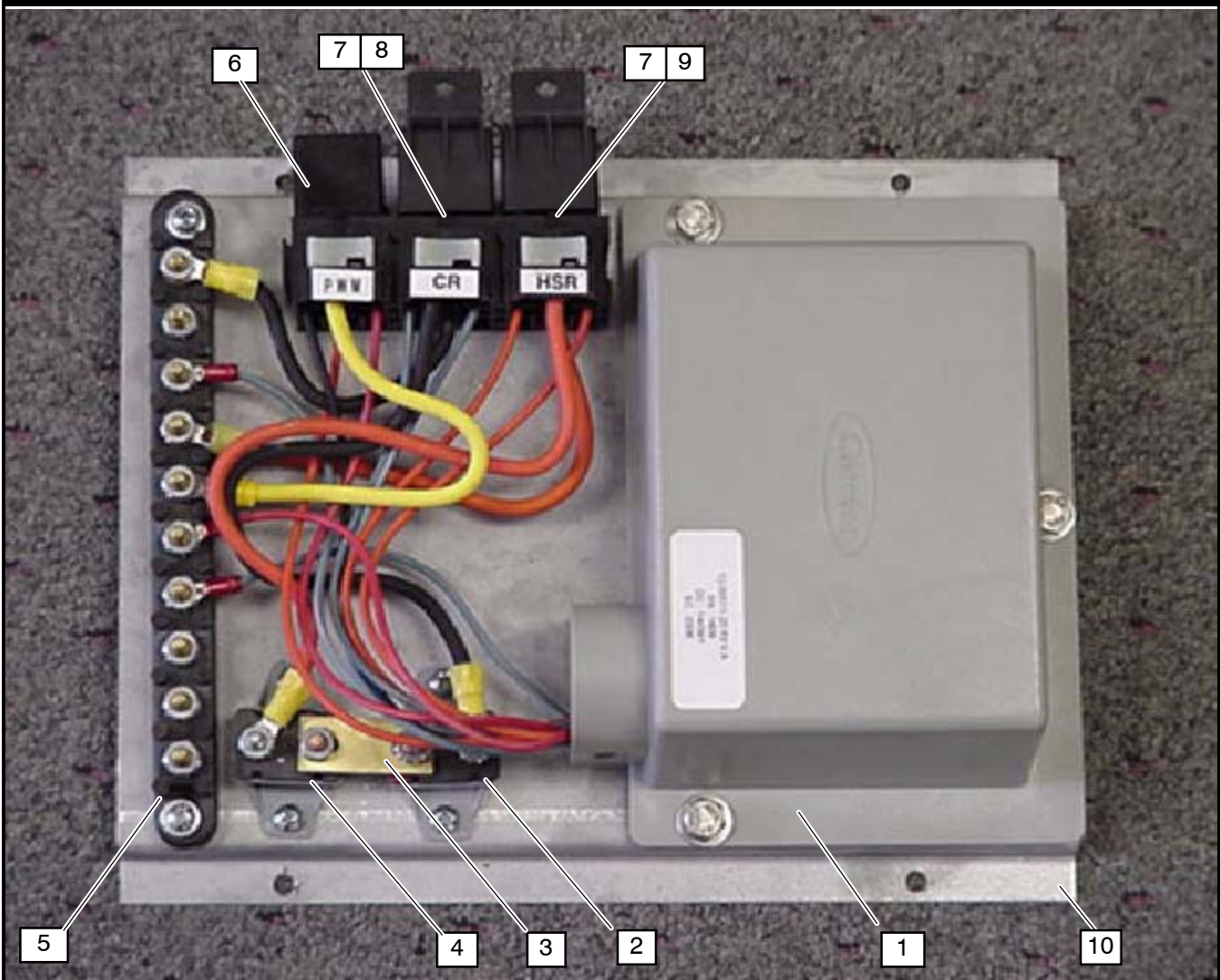
Item	Part Number	Description	Qty
-	91-62025-00	Panel Assembly, Electrical, AC553, 24 VDC, (Shown Above) Includes:	1
1	AC010-218Channel, Mounting, Electrical Components	1
2	AC901-514Label, Terminal Board, 10 Position	1
3	22-01334-07Board, Terminal, 10 position	1
4	10-00286-09Relay, 40 Amp, 12 VDC	3
5	AC201-922Connector/Lock Assembly, Relay, With Wiring (HSR) - Includes:	1
5A	AC201-901Connector, Relay	1
5B	AC201-931Lock, Connector, Relay	1
6	22-62238-02Connector/Lock Assembly, Relay, With Wiring (CR) - Includes:	1
6A	AC201-901Connector, Relay	1
6B	AC201-931Lock, Connector, Relay	1
7	22-62238-03Connector/Lock Assembly, Relay, With Wiring (CLR) - Includes:	1
7A	AC201-901Connector, Relay	1
7B	AC201-931Lock, Connector, Relay	1
8	AC201-112Breaker, Circuit, 40 Amp, Manual Reset	1
9	AC021-156 Buss, Bar	1
10	AC201-106Breaker, Circuit, 30 Amp, Manual Reset	1
11	AC201-105Breaker, Circuit, 20 Amp, Manual Reset	1
12	AC201-600Diode, 6 Amp, 200 VDC	1

6.34 CONTROL PANEL, GSA TIE-IN



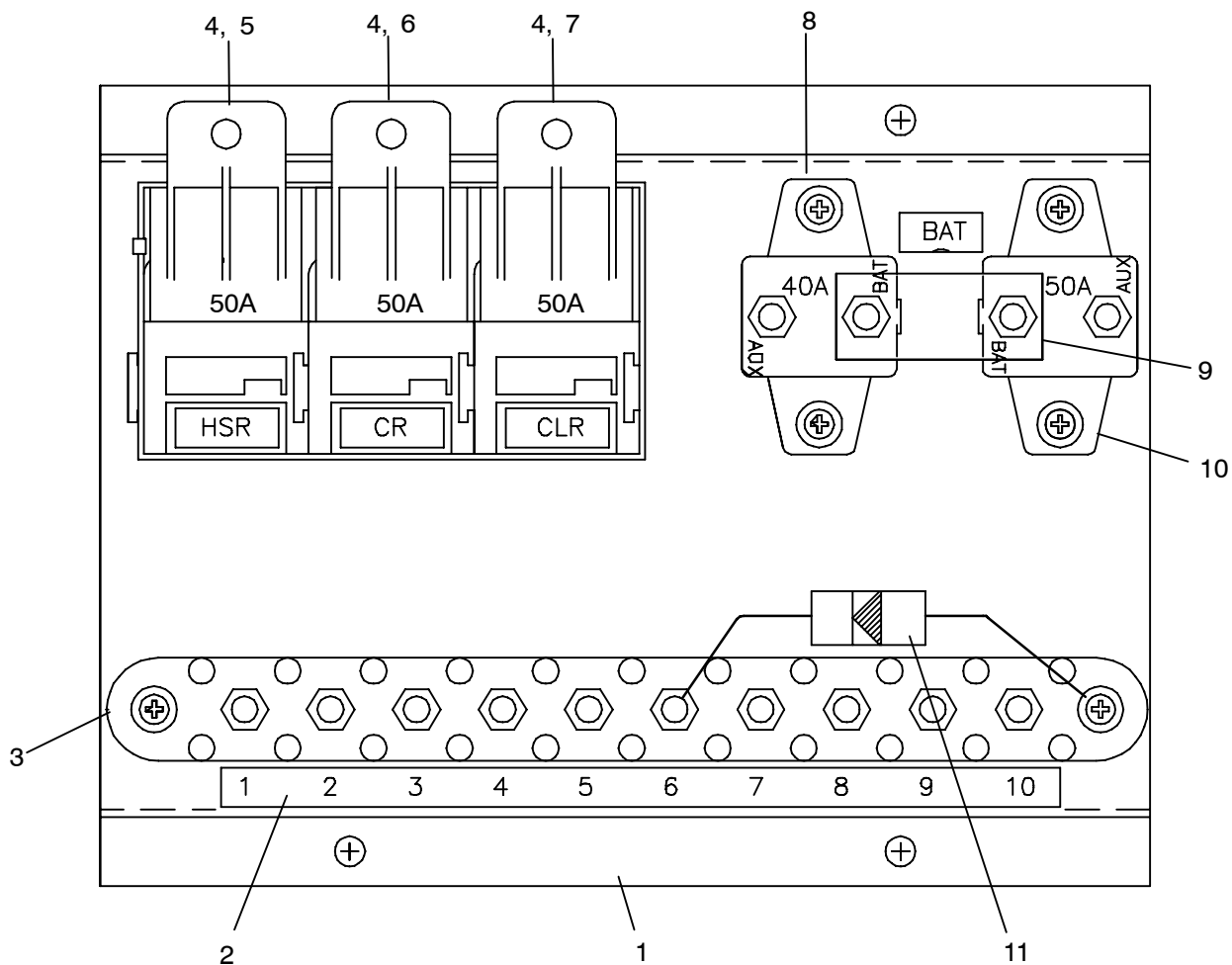
Item	Part Number	Description	Qty
-	91-62027-00	Panel Assembly, Electrical, GSA Tie-In, 12 VDC, (Above), Includes:	1
1	AC010-218Channel, Mounting, Electrical Components	1
2	AC901-514Label, Terminal Board, 10 Position	1
3	22-01334-07Board, Terminal, 10 position	1
4	10-00286-14Relay, 50 Amp, 12 VDC	3
5	AC201-922Connector/Lock Assembly, Relay, With Wiring (HSR) - Includes:	1
5A	AC201-901Connector, Relay	1
5B	AC201-931Lock, Connector, Relay	1
6	22-62238-00Connector/Lock Assembly, Relay, With Wiring (MSR) - Includes:	1
6A	AC201-901Connector, Relay	1
6B	AC201-931Lock, Connector, Relay	1
7	22-62238-01Connector/Lock Assembly, Relay, With Wiring (LSR) - Includes:	1
7A	AC201-901Connector, Relay	1
7B	AC201-931Lock, Connector, Relay	1
8	AC201-106Breaker, Circuit, 30 Amp, Manual Reset	1
9	68-62908-00Buss Bar	1
10	AC201-105Breaker, Circuit, 20 Amp, Manual Reset	2

6.35 CONTROL PANEL, TOTAL CONTROL, GEN V (OPTIONAL)



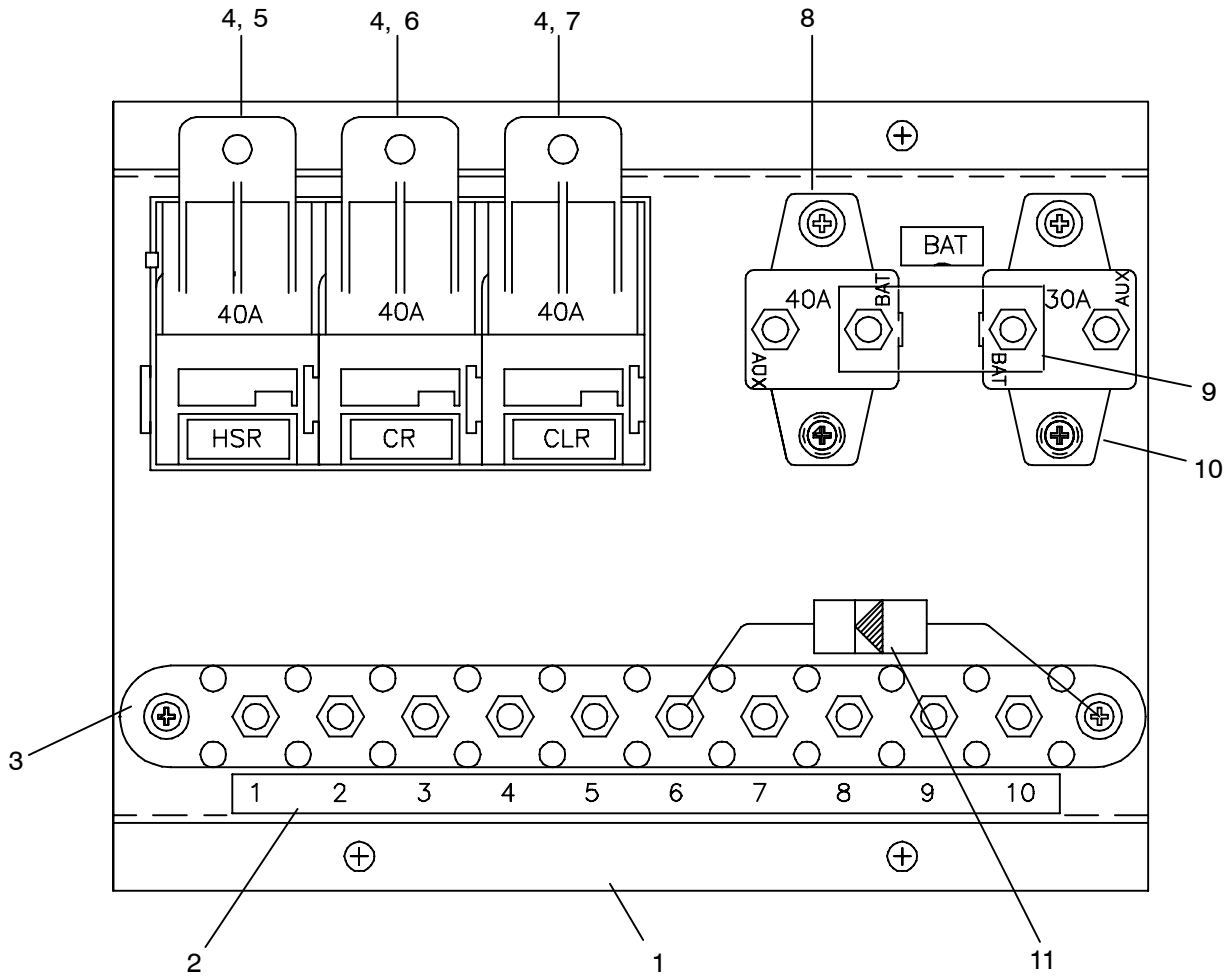
Item	Part Number	Description	Qty
-	91-62028-00	Assembly Panel, Total Control, EM-1, (GenV) Shown Above, Includes:	1
1	12-00567-00Module, Logic	1
2	AC201-112Breaker, Circuit, 40 Amp,	1
3	AC021-156 Buss Bar	1
4	AC201-107Breaker, Circuit, 50 Amp	1
5	22-01334-07Board, Terminal, 10 position	1
6	10-00444-00Relay, Filter, PWM, (Pulse With Modulation)	1
7	AC201-806Relay, 30 Amp, (Condenser & High Speed)	2
8	AC201-922Connector/Lock Assembly, Relay, With Wiring (HSR) - Includes:	1
8A	AC201-901Connector, Relay	1
8B	AC201-931Lock, Connector, Relay	1
9	22-62238-02Connector/Lock Assembly, Relay, With Wiring (CR) - Includes:	1
9A	AC201-901Connector, Relay	1
9B	AC201-931Lock, Connector, Relay	1
10	68-62923-00Channel, Mounting, Control Panel	1

6.36 CONTROL PANEL, EM WITH CM, 12VDC, GEN V



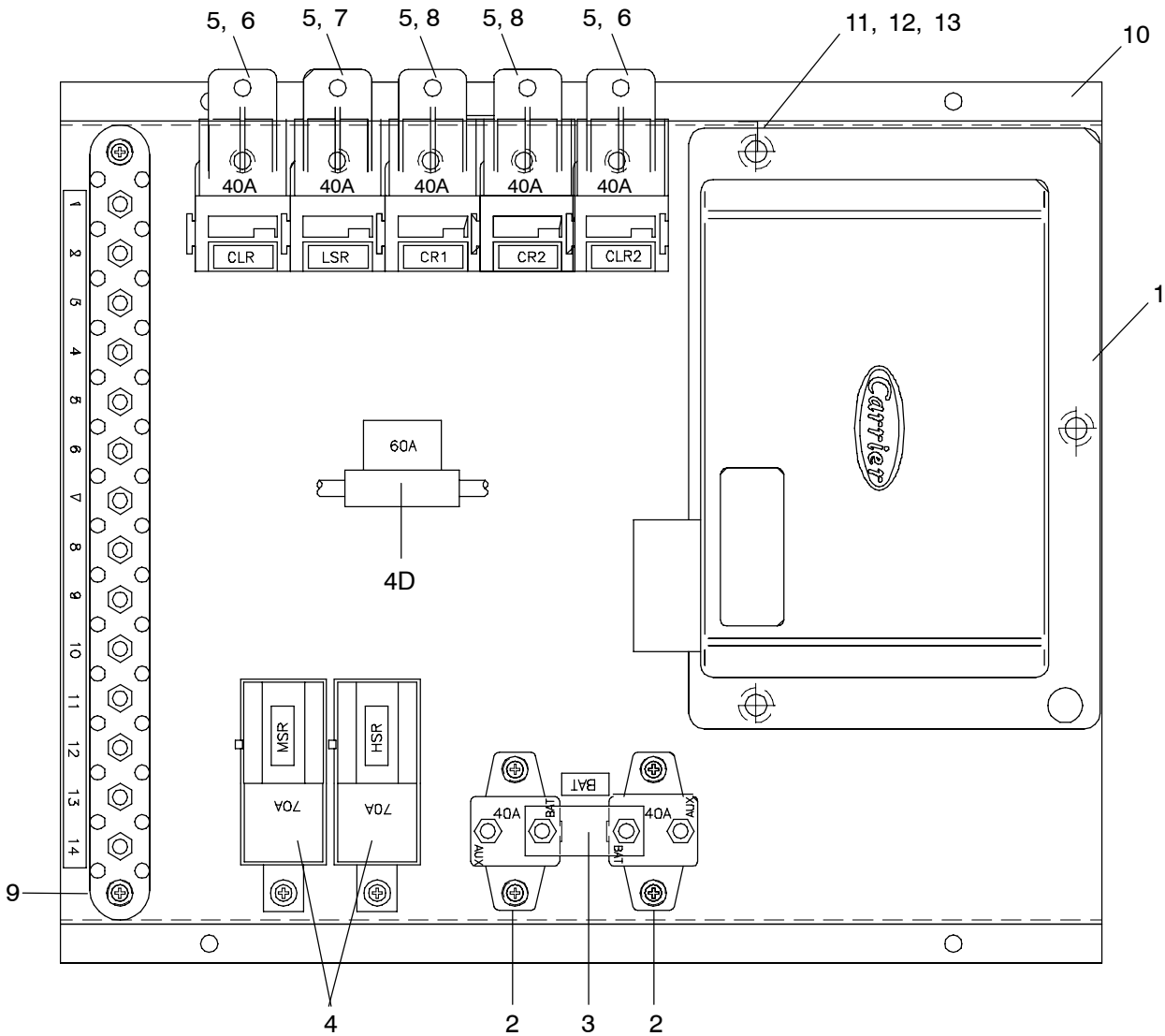
Item	Part Number	Description	Qty
-	91-62030-00	Panel Assy., Electrical, EM With CM, GEN V, 12 VDC, (Above). Includes:	1
1	AC010-218Channel, Mounting, Electrical Components	1
2	AC901-514Label, Terminal Board, 10 Position	1
3	22-01334-07Board, Terminal, 10 position	1
4	10-00286-14Relay, 50 Amp, 12 VDC	3
5	AC201-922Connector/Lock Assembly, Relay, With Wiring (HSR) - Includes:	1
5A	AC201-901Connector, Relay	1
5B	AC201-931Lock, Connector, Relay	1
6	22-62238-02Connector/Lock Assembly, Relay, With Wiring (CR) - Includes:	1
6A	AC201-901Connector, Relay	1
6B	AC201-931Lock, Connector, Relay	1
7	22-62238-03Connector/Lock Assembly, Relay, With Wiring (CLR) - Includes:	1
7A	AC201-901Connector, Relay	1
7B	AC201-931Lock, Connector, Relay	1
8	AC201-112Breaker, Circuit, 40 Amp, Manual Reset	1
9	AC021-156Buss Bar	1
10	AC201-107Breaker, Circuit, 50 Amp, Manual Reset	1
11	AC201-600Diode, 6 Amp, 200 VDC	1

6.37 CONTROL PANEL, EM WITH CM, 24VDC, GEN V



6.37 CONTROL PANEL, EM WITH CM, 24VDC, GEN V - Continued			
Item	Part Number	Description	Qty
-	91-62031-00	Panel Assembly, Electrical, EM With CM, 24 VDC, (Above), Includes:	1
1	AC010-218Channel, Mounting, Electrical Components	1
2	AC901-514Label, Terminal Board, 10 Position	1
3	22-01334-07Board, Terminal, 10 position	1
4	10-00286-09Relay, 40 Amp, 24 VDC	3
5	AC201-922Connector/Lock Assembly, Relay, With Wiring (HSR) - Includes:	1
5A	AC201-901Connector, Relay	1
5B	AC201-931Lock, Connector, Relay	1
6	22-62238-02Connector/Lock Assembly, Relay, With Wiring (CR) - Includes:	1
6A	AC201-901Connector, Relay	1
6B	AC201-931Lock, Connector, Relay	1
7	22-62238-03Connector/Lock Assembly, Relay, With Wiring (CLR) - Includes:	1
7A	AC201-901Connector, Relay	1
7B	AC201-931Lock, Connector, Relay	1
8	AC201-112Breaker, Circuit, 40 Amp, Manual Reset	1
9	AC021-156Buss, Bar	1
10	AC201-106Breaker, Circuit, 30 Amp, Manual Reset	1
11	AC201-600Diode, 6 Amp, 200 VDC	1

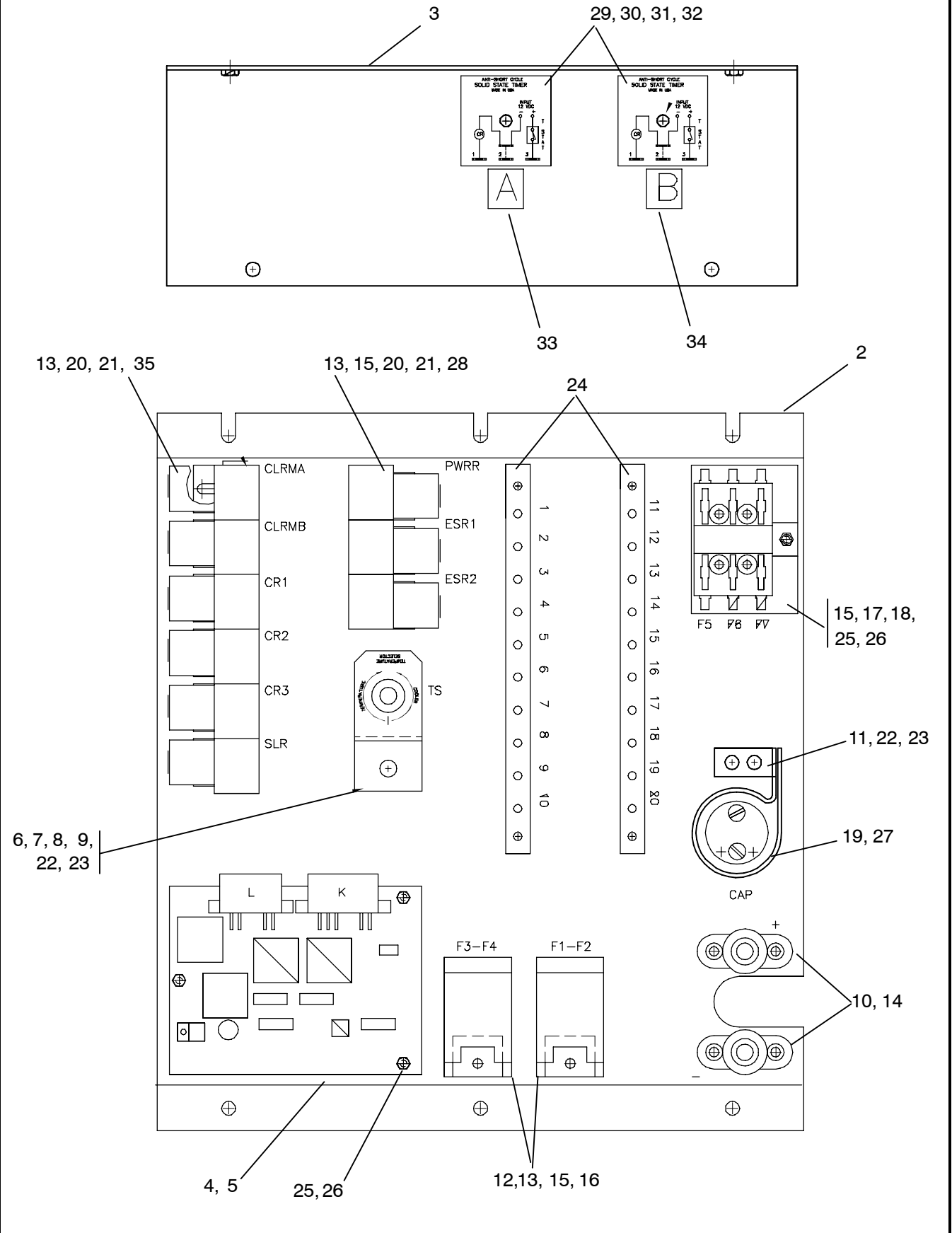
6.38 PANEL ASSEMBLY, TOTAL CONTROL, EM-3, GEN 4



Item	Part Number	Description	Qty
-	91-62032-00	Panel Assembly, Total Control, EM-1, (GenV) Shown Above, Includes:	1
1	12-00567-00Module, Logic	1
2	AC201-112Breaker, Circuit, 40 Amp, Manual Reset	2
3	AC021-156Buss Bar	1
4	22-62210-01Relay/Connector Assembly, With Wiring & Fuse - Includes:	1
4A	10-00328-00Relay, 70 Amp, 12 VDC	1
4B	22-50078-18Connector, Relay	1
4C	22-62110-00Holder, Fuse, INline, With Cover	1
4D	22-02336-17Fuse, 60 Amp	1
4E	AC901-513Label, HSR (High Speed Relay)	1
5	AC201-806Relay, 40 Amp, 12 VDC	5
6	22-62238-02Connector/Lock Assembly, Relay, With Wiring (CLR) - Includes:	2
6A	AC201-901Connector, Relay	1
6B	AC201-931Lock, Connector, Relay	1

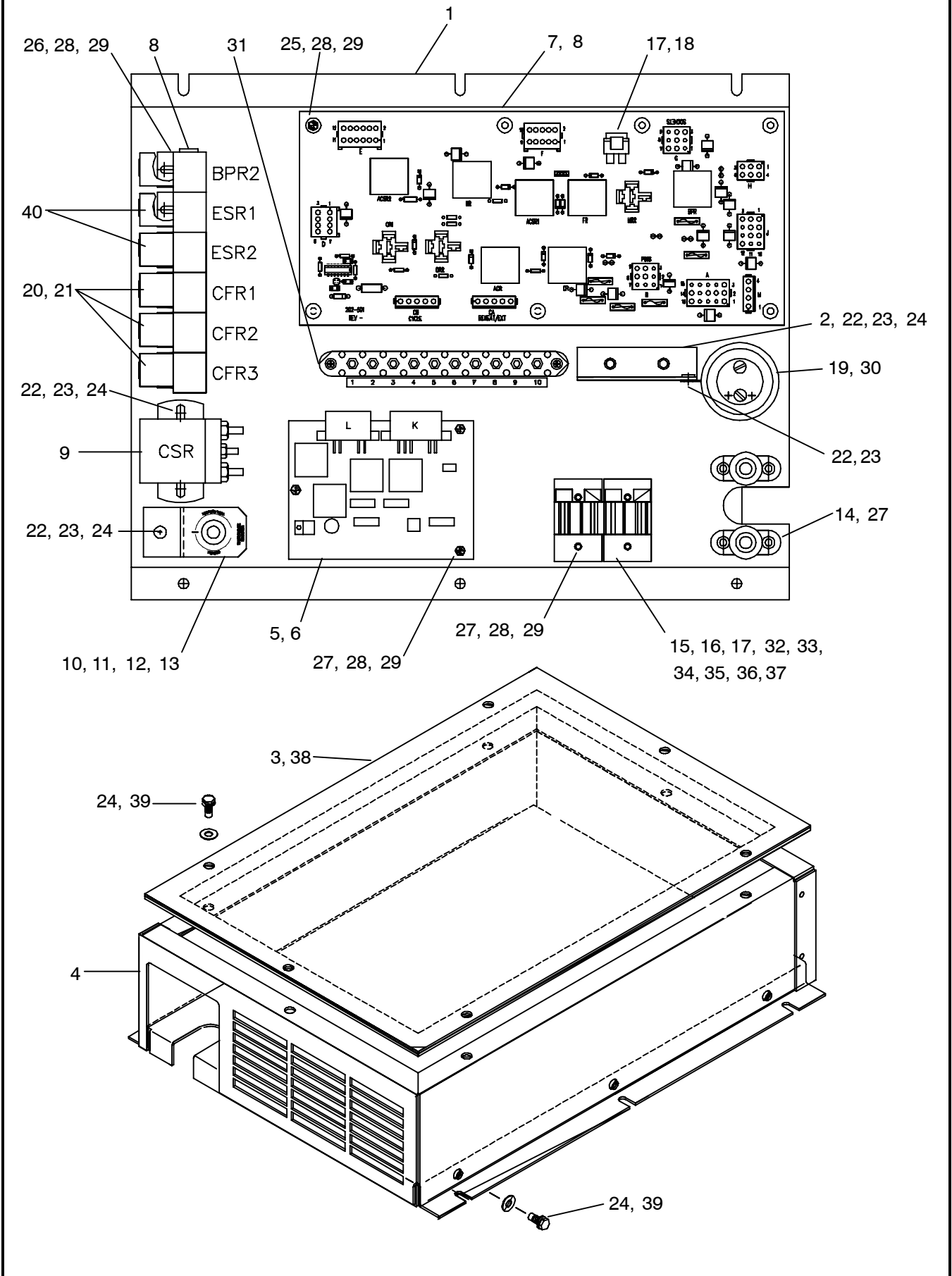
6.38 CONTROL ELECTRICAL PANEL, TOTAL CONTROL, EM-3, (GEN 4) - Continued			
Item	Part Number	Description	Qty
7	22-62238-01Connector/Lock Assembly, Relay, With Wiring (LSR) - Includes:	1
7A	AC201-901Connector, Relay	1
7B	AC201-931Lock, Connector, Relay	1
8	22-62238-02Connector/Lock Assembly, Relay, With Wiring (CR) - Includes:	2
8A	AC201-901Connector, Relay	1
8B	AC201-931Lock, Connector, Relay	1
9	22-01334-11Board, Terminal, 14 Position	1
10	68-62969-00Channel, Mounting, Electrical Panel	1
11	34-00655-06Bolt, Hex Head, 1/4-20 X 3/4 Inch	3
12	34-00663-11Washer, Split Lock, 1/4 Inch	3
13	34-00662-11Washer, Flat, 1/4 Inch	3

6.39 CONTROL PANEL, EM-17 SPLIT, KR-4D, (24 VDC)



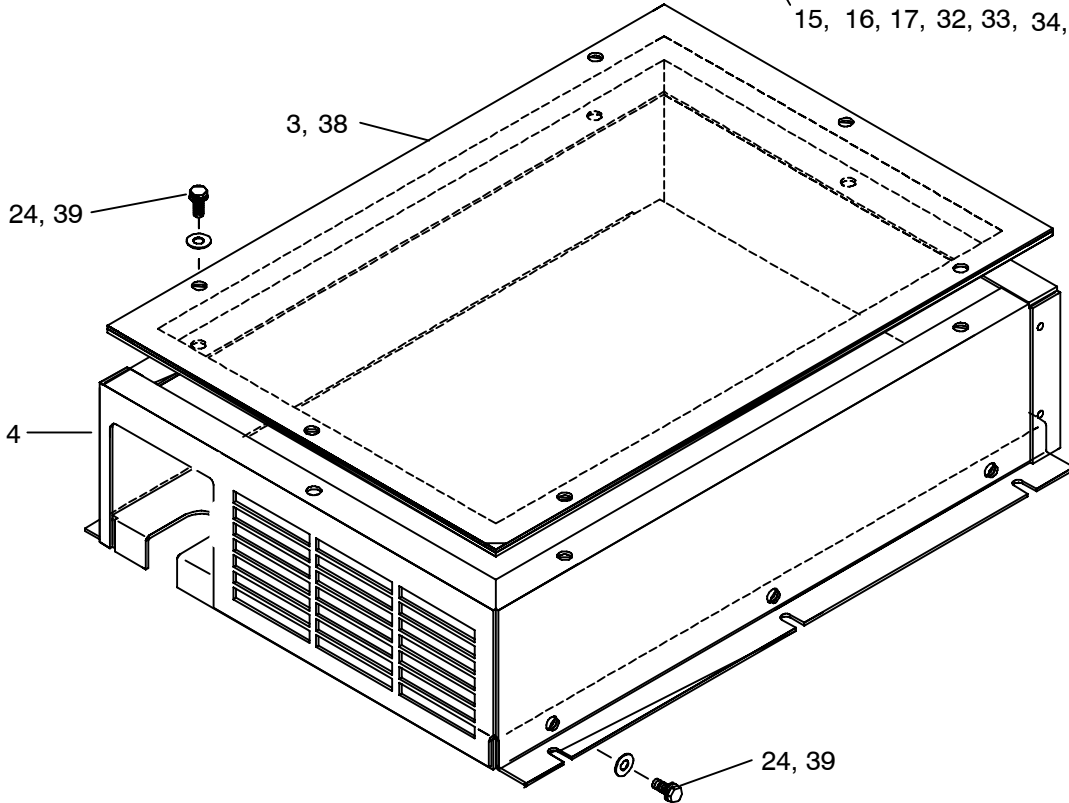
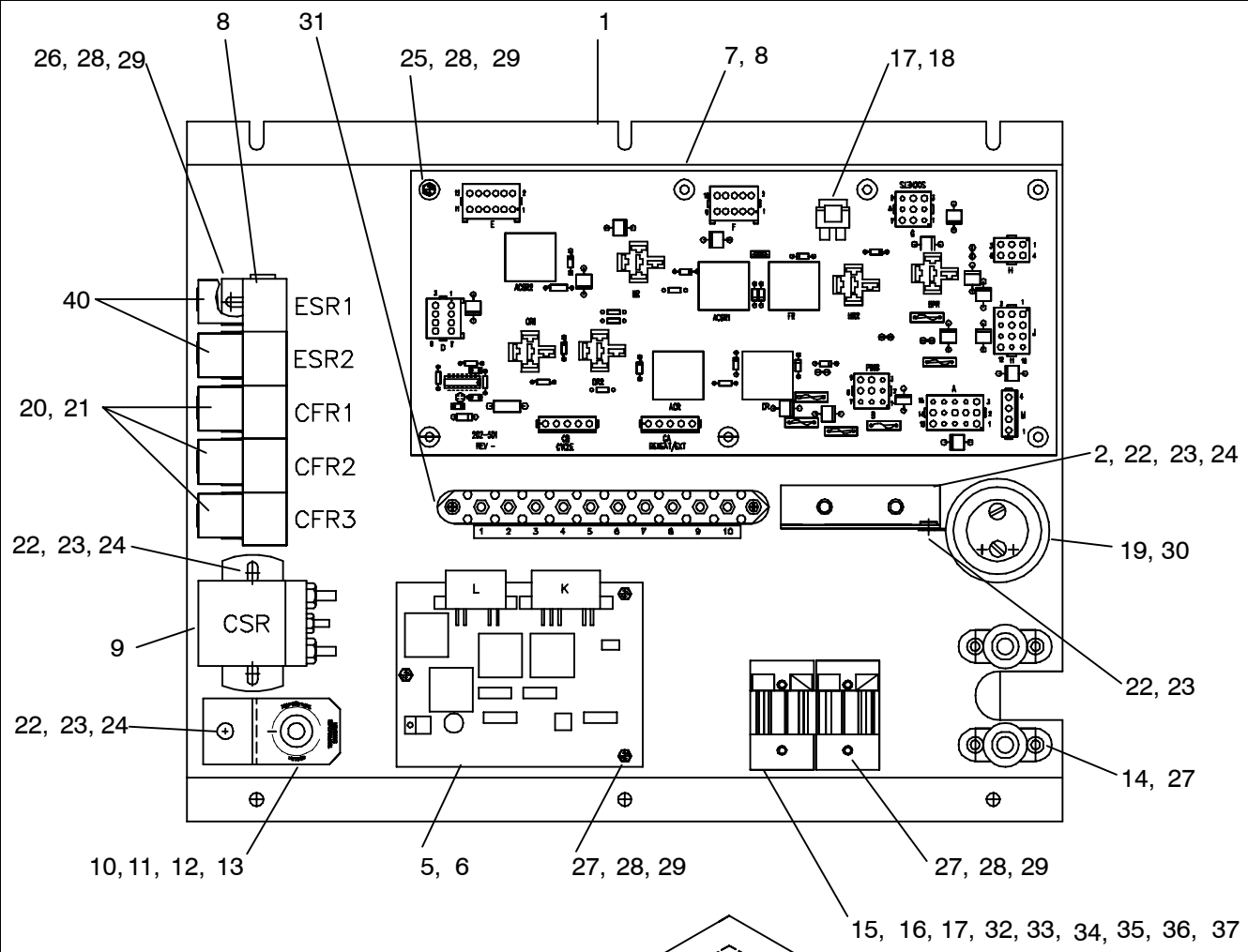
6.39 CONTROL PANEL, EM-17 SPLIT, KR-4D, (24 VDC) - Continued:			
Item	Part Number	Description	Qty
1	91-62035-00	Assembly Panel, EM-17 Split, KR-4D, (24 VDC) - (Above), Includes:	1
2	68-62292-00Panel, Control, EM-17 Split, (Painted)	1
N/S	68-62293-00Panel, Cover, EM-17 Electrical Panel, (Painted)	1
3	68-62294-00Bracket, Electrical Panel, EM-17, (Painted)	1
4	AC201-514Controller, Temp-4 Relay, W/O Box	1
5	AC201-508Return Air Probe	1
6	68RM55-1031Label, Temperature selector	1
7	10-00311-00Temperature Selector	1
8	10-00312-00Knob, Temperature Selector	1
9	68RM35-1098PPlate, Switch, New Flyer, (Painted)	1
10	22-50098-91AStud-Type, Junction Block, (3/8-16)	2
11	68-62297-00Bracket, Capacitor, (Painted)	1
12	22-01828-00Fuse Holder (For 22-02336-16)	4
13	66U1-5371Screw, Hex head Slotted, #08-32 X 1/2 Inch, Stainless Steel	11
14	34-06132-02Screw, pan Head, Phillips, #08-32 X 1/2 Inch, Plated	4
15	34-00662-08Washer, Flat, #08 Stainless Steel	18
16	22-02336-16Fuse, 40 Amp, (Use With Fuse Holder 22-01828-00)	4
17	22-01827-01Fuse Holder, 6 PC. Common Ground, (For AC201-123)	1
18	22-02336-06Fuse, 15 Amp, (ATC)	3
19	AC201-634Capacitor, 50 VDC, 18,000 Micro F.	1
20	AC201-901Connector, Relay Socket	10
21	AC201-931Lock, Packard Connector	10
22	34-00655-04Bolt, Hex Head, 1/4-20 X 1/2 Inch, Stainless Steel	14
23	34-00663-11Washer, Split-Lock, 1/4 Inch, Stainless Steel	14
24	22-01334-07Terminal Board, 10 Position	2
25	66U1-5371-12Screw, Hex Head, Slotted, #08-32 X 1/2 Inch, Stainless Steel	7
26	34-00663-08Washer, Split-Lock, #8 Stainless Steel	7
27	AC701-228Clamp, Insulated, 1-7/8 Inch	1
28	10-00286-03Relay, 12 VDC, 30 Amp	3
29	10-00436-01Lockout, Timer, 24 VDC	2
30	34-00662-11Washer, Flat, 1/4 Inch, Stainless Steel	4
31	34-00655-10Bolt, Hex Head, 1/4-20 X 1-1/4 Inch, Stainless Steel	2
32	34-00361-11Nut, Hex, Lock, (ESNA), 1/4-20 Stainless Steel	2
33	62-62030-00Label, A	1
34	62-62030-01Label, B	1
N/S	AC701-300Tyrap, 6 Inch, White	30
35	10-00286-09Relay,	6

6.40 CONTROL PANEL, EM-17 & CM-5, (WITH HEAT)



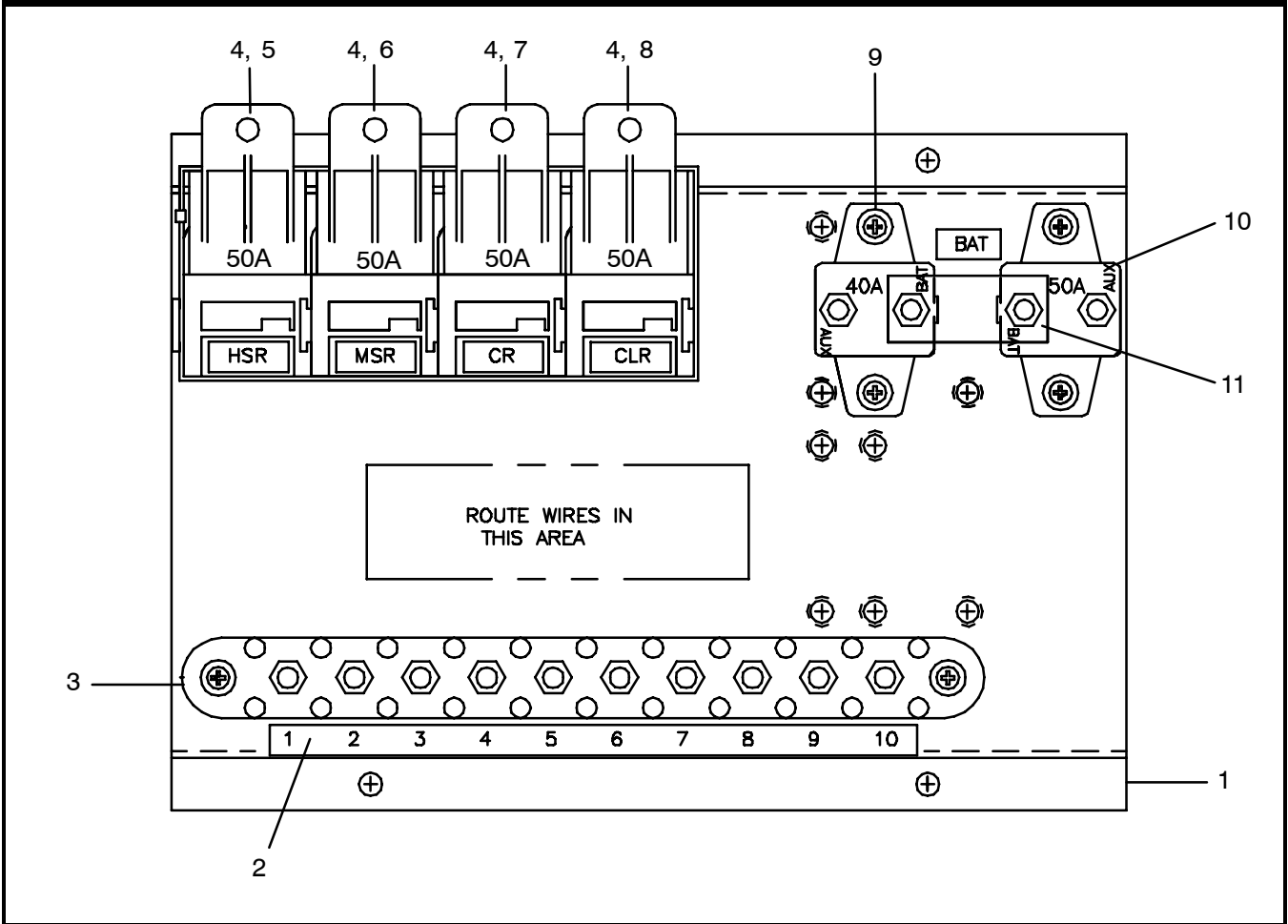
6.40 CONTROL PANEL, EM-17 & CM-5, (WITH HEAT) - Continued:			
Item	Part Number	Description	Qty
-	91-62011-01	Assembly, Panel, EM-17 With CM-5, (With Heat), Above, Includes:	1
1	68-62088-00Panel, Control, EM-17, (Painted)	1
2	68-62417-00Bracket, Electrical Panel, EM-17, (Painted)	1
3	68-62569-00PLate, EM-17 Control Box	1
4	79-62027-00Assembly, Panel, EM-17 Control Box, (Painted)	1
5	AC201-514Controller, Temp-4 Relay, W/O Box	1
6	AC201-508Return Air Probe	1
7	AC202-501Relay Board, Fused	1
8	10-00286-09Relay, Single Pole, Double Throw, (24 VDC)	13
9	10-00300-02Solenoid, Normally Open (N.O.), 28 VDC	1
10	68RM55-1031Label, Temperature selector	1
11	10-00311-00Temperature Selector	1
12	10-00312-00Knob, Temperature Selector	1
13	68RM35-1098PPlate, Switch, New Flyer, (Painted)	1
14	AC201-946Stud-Type, Junction Block, (3/8-16)	2
15	22-02336-16Fuse, 40 Amp, (Use With Fuse Holder 22-01828)	2
16	22-02336-17Fuse, 60 Amp, (Use With Fuse Holder 22-01828)	1
17	22-02336-06Fuse, 15 Amp, (ATC)	6
18	22-01449-00Clip, Fuse	1
19	AC201-634Capacitor, 50 VDC, 18,000 Micro F.	1
20	AC201-901Connector, Relay Socket	4
21	AC201-931Lock, Packard Connector	4
22	34-00655-04Bolt, Hex Head, 1/4-20 X 1/2 Inch, Stainless Steel	6
23	34-00663-11Washer, Split-Lock, 1/4 Inch, Stainless Steel	6
24	34-00662-11Washer, Flat, 1/4 Inch, Stainless Steel	18
25	66U1-5371-12Screw, Hex Head, Slotted, #08-32 X 1 Inch, Stainless Steel	10
26	66U1-5371Screw, Hex Head, Slotted, #08-32 X 1/2 Inch, Stainless Steel	6
27	AC54AB102Screw, pan Head, Phillips, #08-32 X 1/2 Inch, Plated	8
28	34-00663-08Washer, Split-Lock, #8 Stainless Steel	20
29	34-00662-08Washer, Flat, #08 Stainless Steel	20
30	AC701-228Clamp, Insulated, 1-7/8 Inch	1
31	22-01334-07Terminal Board, 10 Position	1
32	22-62036-00Fuse Holder, 7 Position	1
33	22-62037-00Maxifuse Holder, 4 Position	1
34	22-62038-00Mounting Bracket, (Fuse Holder)	2
35	22-62039-01Secondary Lock, (22-62036-00)	12
36	22-62039-02Secondary Lock, (22-62037-00)	6
37	22-62040-00Locking Wedge, (Fuse Holder)	2
38	42-62021-00Gasket, Plate, EM-17 Control Box	1
39	34-50040-00Bolt, Hex With Split Lock washer, 1/4-20 X 5/8 Inch, Stainless Steel	12
N/S	AC701-300Tyrap, 6 Inch, White	30
40	22-62216-00Connector/Lock Assembly, RElay, With Wiring (ESR) - Includes:	2
40A	AC201-901Connector, Relay	1
40B	AC201-931Lock, Connector, Relay	1

6.41 CONTROL PANEL, EM-17 & CM-5



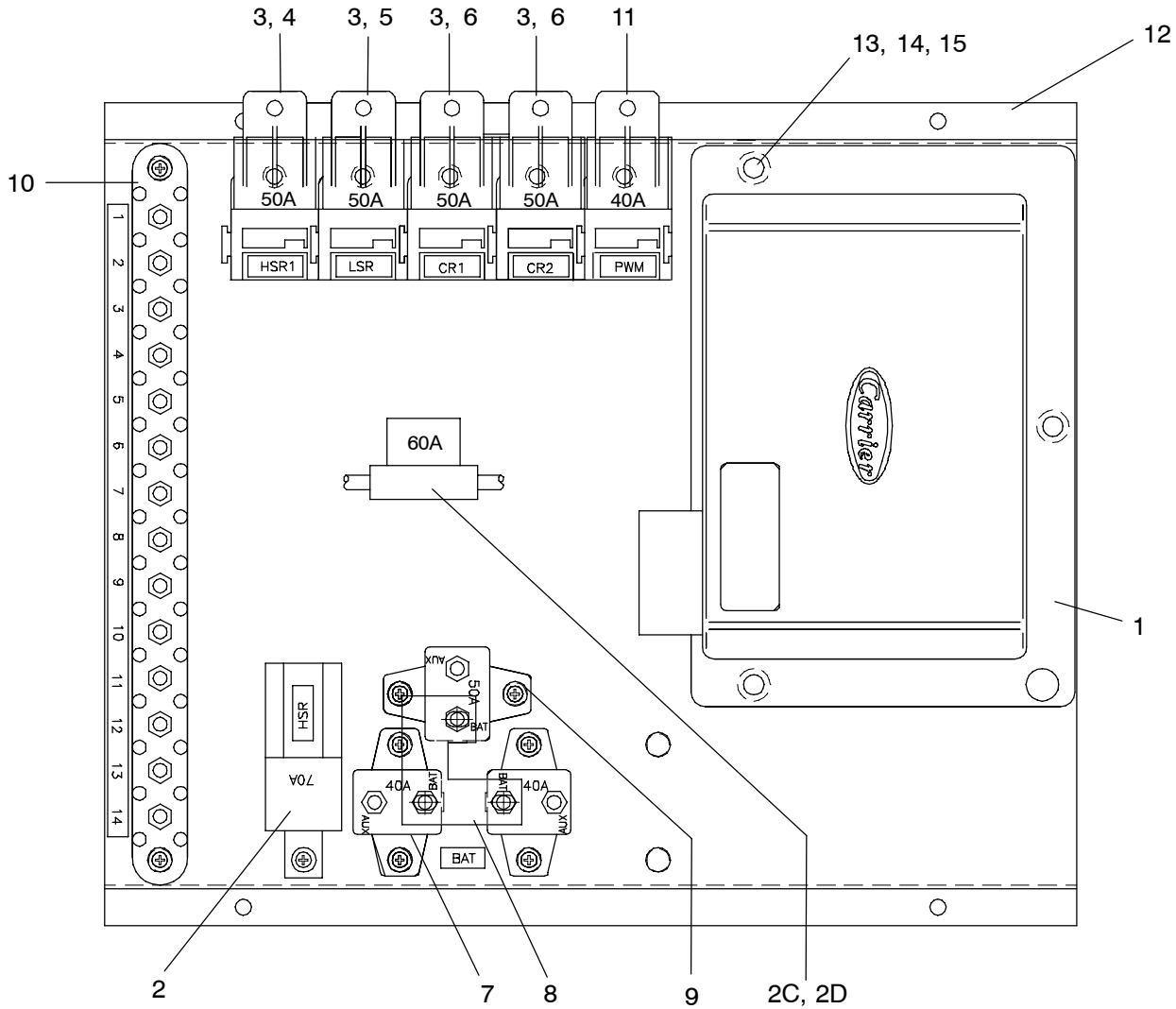
6.41 CONTROL PANEL, EM-17 & CM-5 - Continued:			
Item	Part Number	Description	Qty
-	91-62011-00	Assembly, Panel, EM-17 With CM-5, Shown Above, Includes:	1
1	68-62088-00Panel, Control, EM-17, (Painted)	1
2	68-62417-00Bracket, Electrical Panel, EM-17, (Painted)	1
3	68-62569-00PLate, EM-17 Control Box	1
4	79-62027-00Assembly, Panel, EM-17 Control Box, (Painted)	1
5	AC201-514Controller, Temp-4 Relay, W/O Box	1
6	AC201-508Return Air Probe	1
7	AC202-501Relay Board, Fused	1
8	10-00286-09Relay, Singke Pole, Double Throw, (24 VDC)	10
9	10-00300-02Solenoid, Normally Open (N.O.), 28 VDC	1
10	68RM55-1031Label, Temperature selector	1
11	10-00311-00Temperature Selector	1
12	10-00312-00Knob, Temperature Selector	1
13	68RM35-1098PPlate, Switch, New Flyer, (Painted)	1
14	AC201-946Stud-Type, Junction Block, (3/8-16)	2
15	22-02336-16Fuse, 40 Amp, (Use With Fuse Holder 22-01828)	2
16	22-02336-17Fuse, 60 Amp, (Use With Fuse Holder 22-01828)	1
17	22-02336-06Fuse, 15 Amp, (ATC)	6
18	22-01449-00Clip, Fuse	1
19	AC201-634Capacitor, 50 VDC, 18,000 Micro F.	1
20	AC201-901Connector, Relay Socket	3
21	AC201-931Lock, Packard Connector	3
22	34-00655-04Bolt, Hex Head, 1/4-20 X 1/2 Inch, Stainless Steel	6
23	34-00663-11Washer, Split-Lock, 1/4 Inch, Stainless Steel	6
24	34-00662-11Washer, Flat, 1/4 Inch, Stainless Steel	18
25	66U1-5371-12Screw, Hex Head, Slotted, #08-32 X 1 Inch, Stainless Steel	10
26	66U1-5371Screw, Hex Head, Slotted, #08-32 X 1/2 Inch, Stainless Steel	5
27	AC54AB102Screw, pan Head, Phillips, #08-32 X 1/2 Inch, Plated	8
28	34-00663-08Washer, Split-Lock, #8 Stainless Steel	19
29	34-00662-08Washer, Flat, #08 Stainless Steel	19
30	AC701-228Clamp, Insulated, 1-7/8 Inch	1
31	22-01334-07Terminal Board, 10 Position	1
32	22-62036-00Fuse Holder, 7 Position	1
33	22-62037-00Maxifuse Holder, 4 Position	1
34	22-62038-00Mounting Bracket, (Fuse Holder)	2
35	22-62039-01Secondary Lock, (22-62036-00)	12
36	22-62039-02Secondary Lock, (22-62037-00)	6
37	22-62040-00Locking Wedge, (Fuse Holder)	2
38	42-62021-00Gasket, Plate, EM-17 Control Box	1
39	34-50040-00Bolt, Hex With Split Lock washer, 1/4-20 X 5/8 Inch, Stainless Steel	12
N/S	AC701-300Tyrap, 6 Inch, White	30
40	22-62216-00Connector/Lock Assembly, Relay, With Wiring (ESR) - Includes:	2
40A	AC201-901Connector, Relay	1
40B	AC201-931Lock, Connector, Relay	1

6.42 PANEL, CONTROL, 3-SPEED OPTION, (GEN 5)



6.42 PANEL, CONTROL, 3-SPEED OPTION, (GEN 5) - Continued			
Item	Part Number	Description	Qty
-	91-62040-00	Panel Assembly, Electrical, 3-Speed Option, Gen V, - Includes:	1
1	AC021-155Channel, Mounting, Electrical Components	1
2	AC901-514Label, Terminal Board, 10 Position	1
3	22-01334-07Board, Terminal, 10 Position	1
4	10-00286-14Relay, 50 Amp, 12 VDC	4
5	AC201-922Connector/Lock Assembly, Relay, With Wiring (HSR) - Includes:	1
5A	AC201-901Connector, Relay	1
5B	AC201-931Lock, Connector, Relay	1
6	22-62238-00Connector/Lock Assembly, Relay, With Wiring (MSR) - Includes:	2
6A	AC201-901Connector, Relay	1
6B	AC201-931Lock, Connector, Relay	1
7	22-62238-02Connector/Lock Assembly, Relay, With Wiring (CR) - Includes:	2
7A	AC201-901Lock, Connector, Relay	1
7B	AC201-931Lock, Connector, Relay	1
8	22-62238-03Connector/Lock Assembly, Relay, With Wiring (CLR) - Includes:	2
8A	AC201-901Lock, Connector, Relay	1
8B	AC201-931Lock, Connector, Relay	1
9	AC201-112Breaker, Circuit, 40 Amp, Manual Reset	1
10	AC201-107Breaker, Circuit, 50 Amp, Manual Reset	1
11	AC021-156Buss Bar	1

6.43 PANEL ASSEMBLY, (GEN 5), EM-3, TOTAL CONTROL

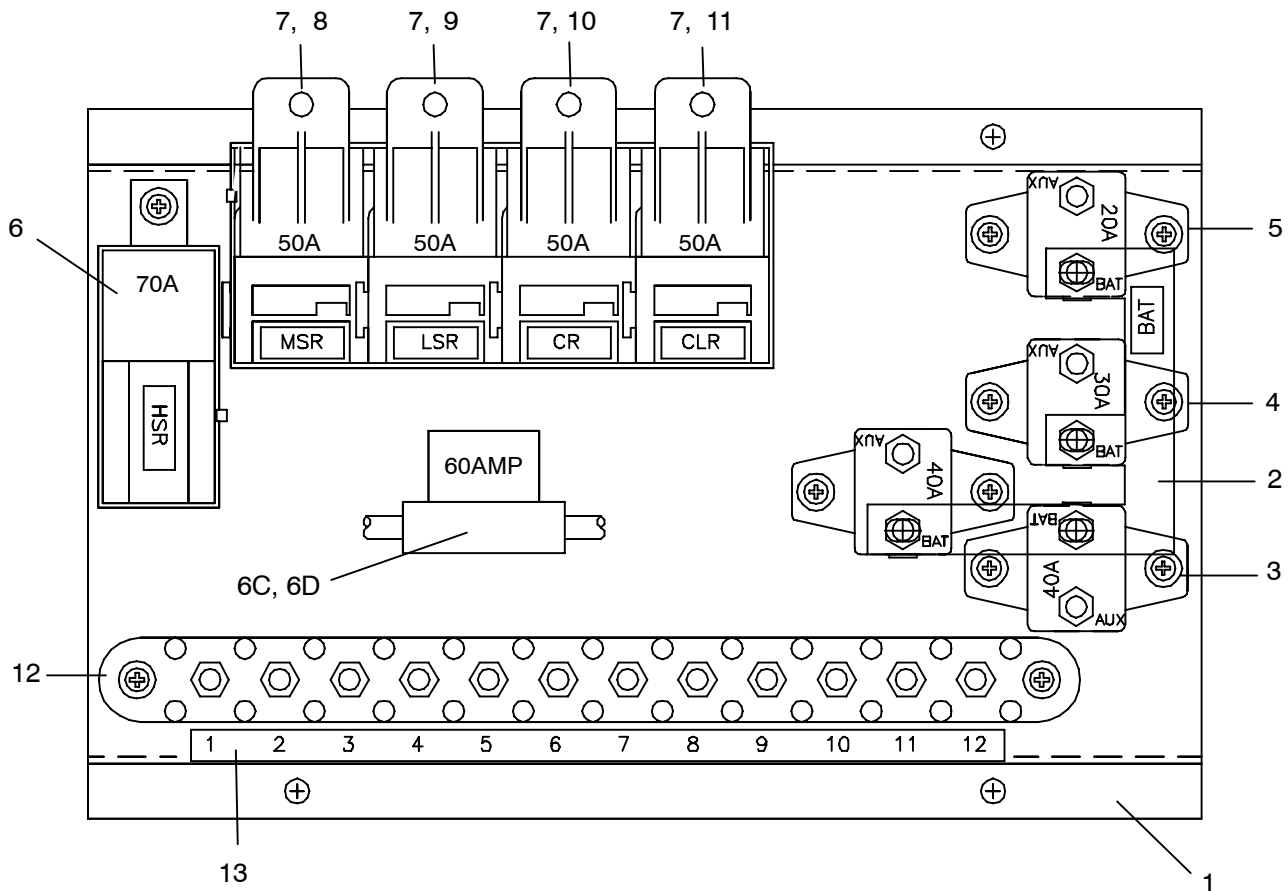


Item	Part Number	Description	Qty
-	91-62041-00	Panel Assembly, Total Control, EM-3, (GenV) Shown Above, Includes:	1
1	12-00567-00Module, Logic	1
2	22-62210-01Relay/Connector Assembly, With Wiring & Fuse - Includes:	1
2A	10-00328-00Relay, 70 Amp, 12 VDC	1
2B	22-50078-18Connector, Relay	1
2C	22-62110-00Holder, Fuse, Inline, With Cover	1
2D	22-02336-17Fuse, 60 AMP	1
2E	AC901-513Label, HSR (High Speed Relay)	1
3	10-00286-14Relay, 50 Amp	4
4	AC201-922Connector/Lock Assembly, Relay, With Wiring (HSR) - Includes:	1
4A	AC201-901Connector, Relay	1
4B	AC201-931Lock, Connector, Relay	1
5	22-62238-01Connector/Lock Assembly, Relay, With Wiring (LSR) - Includes:	2
5A	AC201-901Connector, Relay	1
5B	AC201-931Lock, Connector, Relay	1

6.43 PANEL ASSEMBLY, (GEN 5), EM-3, TOTAL CONTROL - Continued:

Item	Part Number	Description	Qty
6	22-62238-02Connector/Lock Assembly, Relay, With Wiring (CR) - Includes:	2
6A	AC201-931Lock, Connector, Relay	1
6B	AC201-931Lock, Connector, Relay	1
7	AC201-112Breaker, Circuit, 40 Amp, Manual Reset	2
8	68-62908-00Buss Bar	1
9	AC201-107Breaker, Circuit, 50 Amp, Manual Reset	1
10	22-01334-11Board, Terminal, 14 Position	1
11	10-00444-00Relay, Filter, PWM	1
12	68-62969-00Channel, Mounting, Electrical Panel	1
13	34-00655-06Bolt, Hex Head, 1/4-20 X 3/4 Inch	3
14	34-00663-11Washer, Split Lock, 1/4 Inch	3
15	34-00662-11Washer, Flat, 1/4 Inch	3

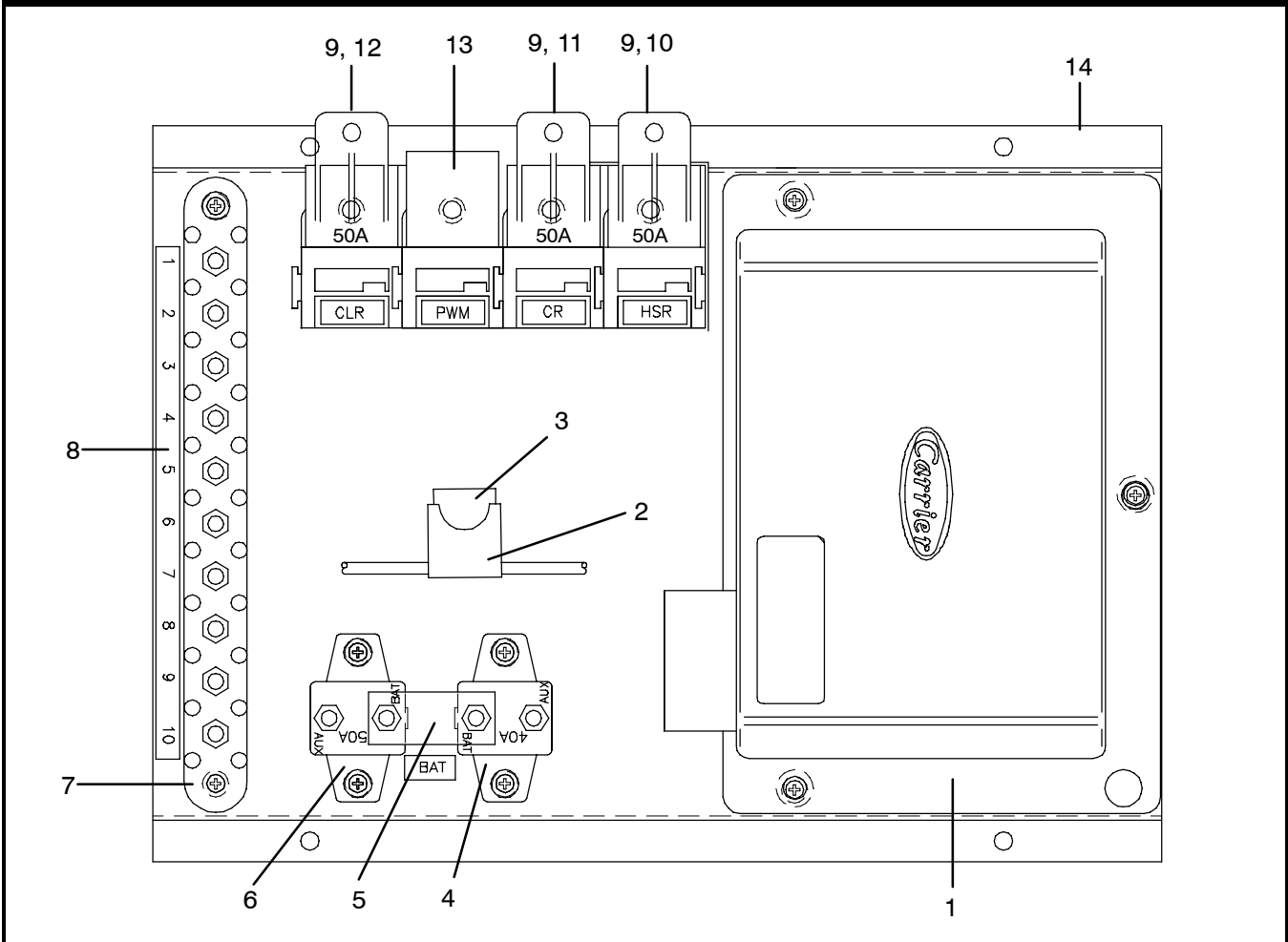
6.44 PANEL ASSEMBLY, ELECTRICAL, EM-3 WITH (1) CM, 3-SPEED OPTION, (GEN 5)



Item	Part Number	Description	Qty
-	91-62046-00	Panel Assembly, Electrical, EM-3 With (1) CM, GenV - Includes:	1
1	68-62828-00Channel, Mounting, Electrical Panel	1
2	68-62860-01Buss Bar	1
3	AC201-112Breaker, Circuit, 40 Amp, Manual Reset	2
4	AC201-106Breaker, Circuit, 30 Amp, Manual Reset	1
5	AC201-105Breaker, Circuit, 20 Amp, Manual Reset	1
6	22-62210-01Relay/Connector Assembly, With Wiring & Fuse - Includes:	1
6A	10-00328-00Relay, 70 Amp, 12 VDC	1
6B	22-50078-18Connector, Relay	1
6C	22-62110-00Holder,Fuse, In-Line With Cover	1
6D	22-02336-17Fuse, 60 AMP	1
6E	AC901-513Label, HSR, (High Speed Relay)	1
7	10-00286-14Relay, 50 Amp, 12 VDC	4
8	22-62238-00Connector/Lock Assembly, Relay, With Wiring (MSR) - Includes:	1
8A	AC201-901Connector, Relay	1
8B	AC201-931Lock, Connector, Relay	1
9	22-62238-01Connector/Lock Assembly, Relay, With Wiring (LSR) - Includes:	1
9A	AC201-901Connector, Relay	1
9B	AC201-931Lock, Connector, Relay	1
10	22-62238-02Connector/Lock Assembly, Relay, With Wiring (CR) - Includes:	1
10A	AC201-901Connector, Relay	1
10B	AC201-931Lock, Connector, Relay	1

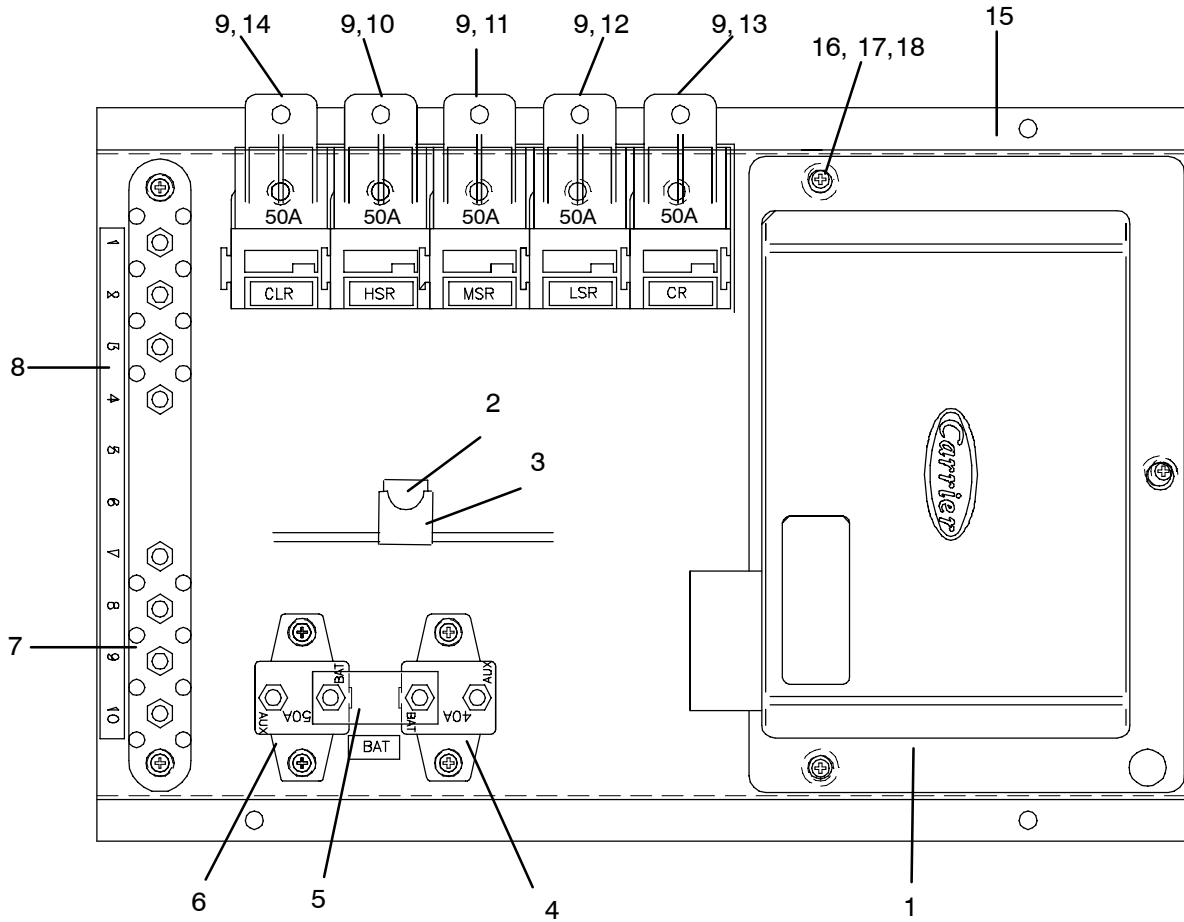
6.44 PANEL ASSEMBLY, ELECTRICAL, EM-3 WITH (1) CM, 3-SPEED OPTION, (GEN 5)			
Item	Part Number	Description	Qty
11	22-62238-03Connector/Lock Assembly, Relay, With Wiring (CLR) - Includes:	1
11A	AC201-901Connector, Relay	1
11B	AC201-931Lock, Connector, Relay	1
12	22-01334-09Board, Terminal, 12 Position	1
13	AC901-517Label, Terminal Board, 12 Position	1

6.45 CONTROL PANEL, GEN 5, TOTAL CONTROL



6.45 CONTROL PANEL, GEN 5, TOTAL CONTROL - Continued			
Item	Part Number	Description	Qty
-	91-62047-00	Panel Assembly, Total Control, EM-1, (GenV) Shown Above, Includes:	1
1	12-00567-00Module, Logic	1
2	22-02338-02Fuse Holder, With Fuse (Includes Item 3)	1
3	22-02336-04Fuse, 5 AMP	1
4	AC201-112Breaker, Circuit, 40 Amp, Manual Reset	1
5	AC021-156Buss Bar	1
6	AC201-107Breaker, Circuit, 50 Amp, Manual Reset	1
7	22-01334-07Board, Terminal, 10 Position	1
8	AC901-514Label, Terminal Board, 10 Position	1
9	10-00286-14Relay, 50 Amp	3
10	AC201-922Connector/Lock Assembly, Relay, With Wiring (HSR) - Includes:	1
10A	AC201-901Connector, Relay	1
10B	AC201-931Lock, Connector, Relay	1
11	22-62238-02Connector/Lock Assembly, Relay, With Wiring (CR) - Includes:	1
11A	AC201-901Connector, Relay	1
11B	AC201-931Lock, Connector, Relay	1
12	22-62238-03Connector/Lock Assembly, Relay, With Wiring (CLR) - Includes:	1
12A	AC201-901Connector, Relay	1
12B	AC201-931Lock, Connector, Relay	1
13	10-00444-00Relay, Filter, PWM	1
14	68-62968-00Channel, Mounting, Electrical Panel	1

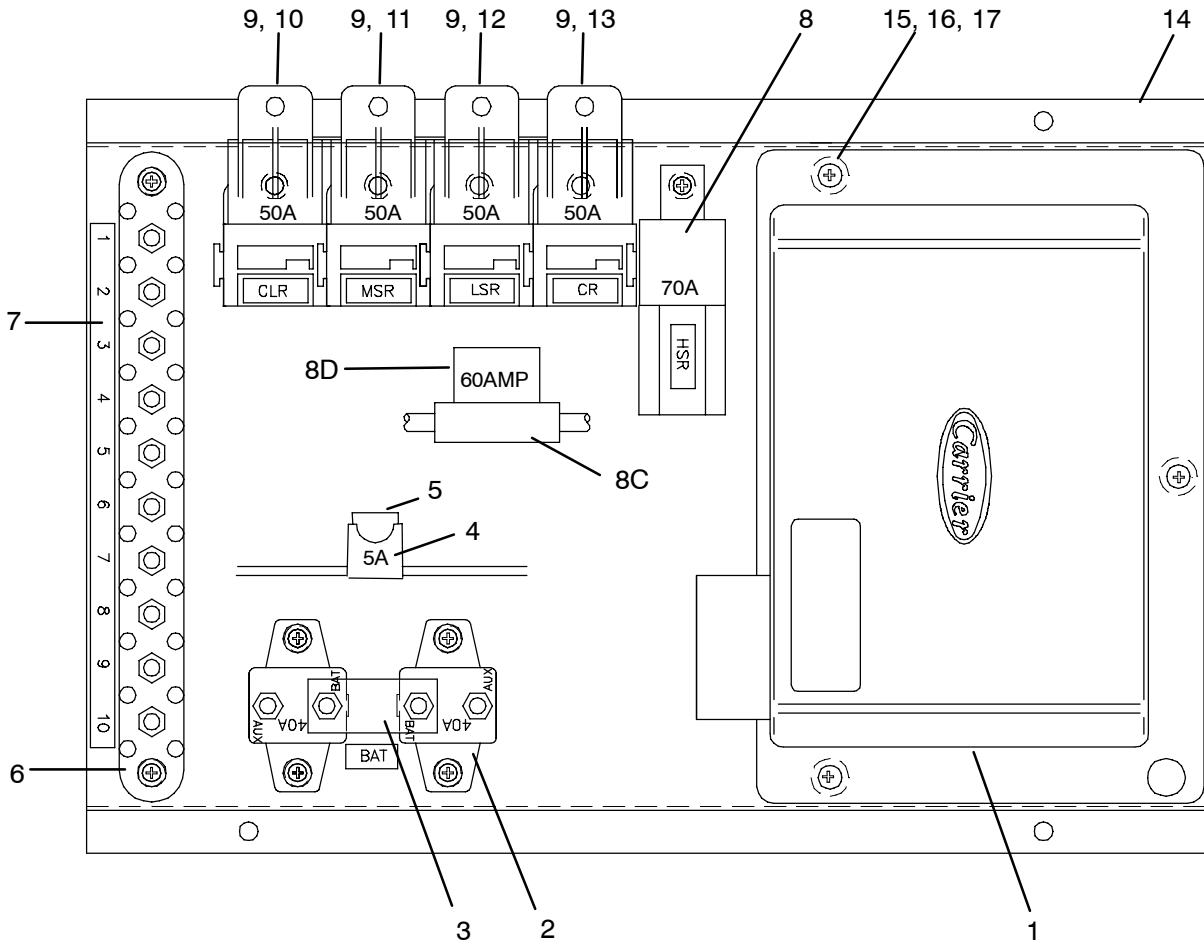
6.46 CONTROL PANEL, GEN 4, TOTAL CONTROL



Item	Part Number	Description	Qty
-	91-62048-00	Panel Assembly, Total Control, Gen 4, Shown Above, Includes:	1
1	12-00567-00Module, Logic	1
2	22-02338-02Fuse Holder, With Fuse, (Includes Item 3)	1
3	22-02336-04Fuse, 5 Amp	1
4	AC201-112Breaker, Circuit, 40 Amp, Manual Reset	1
5	AC021-156Buss Bar	1
6	AC201-107Breaker, Circuit, 50 Amp, Manual Reset	1
7	22-01334-07Board, Terminal, 10 Position	1
8	AC901-514Label, Terminal Board, 10 Position	1
9	10-00286-14Relay, 50 Amp	5
10	AC201-922Connector/Lock Assembly, Relay, With Wiring (HSR) - Includes:	1
10A	AC201-901Connector, Relay	1
10B	AC201-931Lock, Connector, Relay	1
11	22-62238-00Connector/Lock Assembly, Relay, With Wiring (MSR) - Includes:	1
11A	AC201-901Connector, Relay	1
11B	AC201-931Lock, Connector, Relay	1
12	22-62238-01Connector/Lock Assembly, Relay, With Wiring (LSR) - Includes:	1
12A	AC201-901Connector, Relay	1
12B	AC201-931Lock, Connector, Relay	1

6.46 CONTROL PANEL, GEN 4, TOTAL CONTROL - Continued:			
Item	Part Number	Description	Qty
13	22-62238-02Connector/Lock Assembly, Relay, With Wiring (CR) - Includes:	1
13A	AC201-901Connector, Relay	1
13B	AC201-931Lock, Connector, Relay	1
14	22-62238-03Connector/Lock Assembly, Relay, With Wiring (CLR) - Includes:	1
14A	AC201-901Connector, Relay	1
14B	AC201-931Lock, Connector, Relay	1
15	68-63262-00Channel, Mounting, Electrical Panel	1
16	34-00655-06Bolt, Hex Head, 1/4-20 X 3/4 Inch	3
17	34-00663-11Washer, Split Lock, 1/4 Inch	3
18	34-00662-11Washer, Flat, 1/4 Inch	3

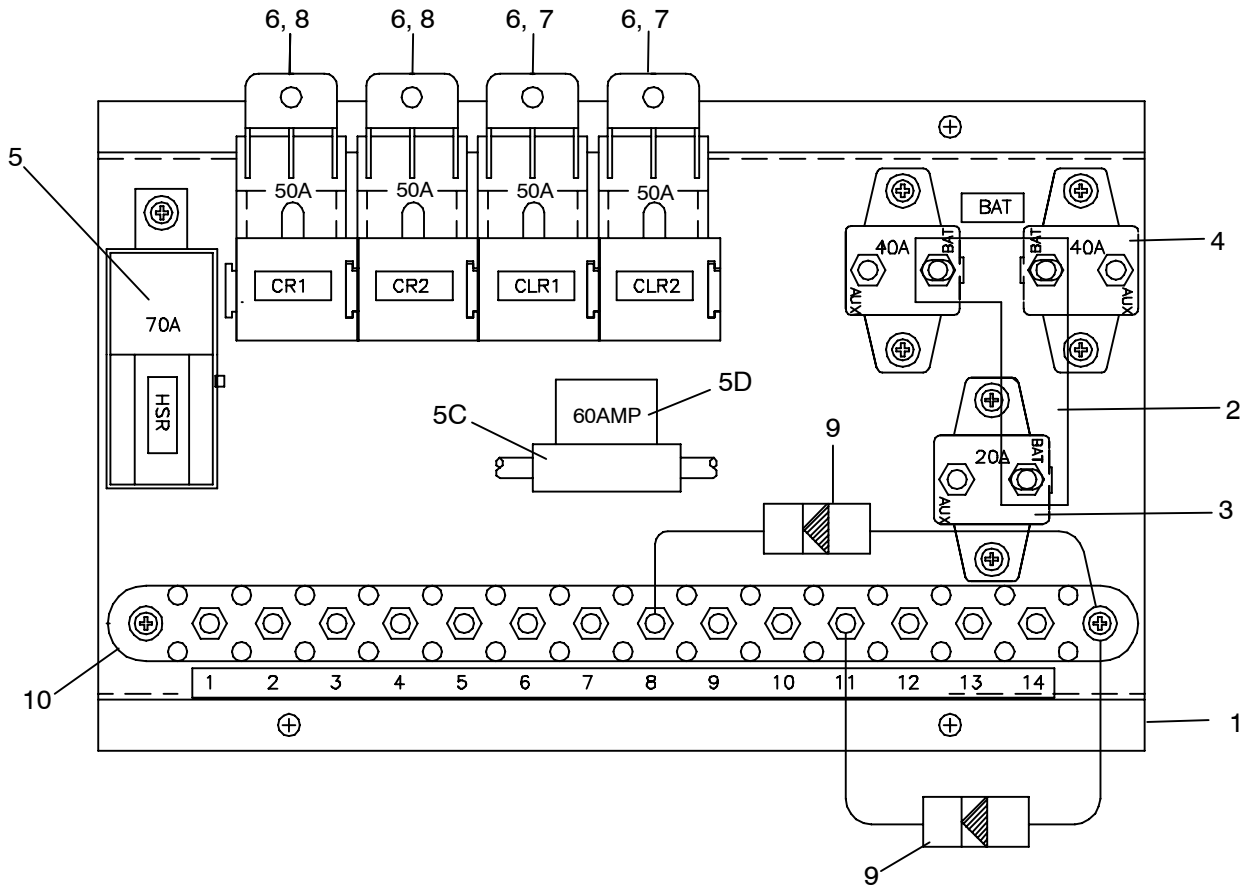
6.47 PANEL ASSEMBLY, GEN 4, TOTAL CONTROL, EM-3 WITH (1) CM



Item	Part Number	Description	Qty
-	91-62049-00	Panel Assembly, GEN 4, Total Control, EM-3 With (1) CM - Includes:	1
1	12-00567-00Module, Logic	1
2	AC201-112Breaker, Circuit, 40 Amp, Manual Reset	2
3	AC021-156Buss Bar	1
4	22-02338-02Fuse Holder, With Fuse (Includes Item 5)	1
5	22-02336-04Fuse, 5 Amp	1
6	22-01334-07Board, Terminal, 10 Position	1
7	AC901-514Label, Terminal Board, 10 Position	1
8	22-62210-01Relay/Connector Assembly, With Wiring & Fuse - Includes:	1
8A	10-00328-00Relay, 70 Amp, 12 VDC	1
8B	22-50078-18Connector, Relay	1
8C	22-62110-00Holder,Fuse, In-Line With Cover	1
8D	22-02336-17Fuse, 60 AMP	1
8E	AC901-513Label, HSR, (High Speed Relay)	1
9	10-00286-14Relay, 50 Amp, 12 VDC	4
10	22-62238-03Connector/Lock Assembly, Relay, With Wiring (CLR) - Includes:	1
10A	AC201-901Connector, Relay	1
10B	AC201-931Lock, Connector, Relay	1

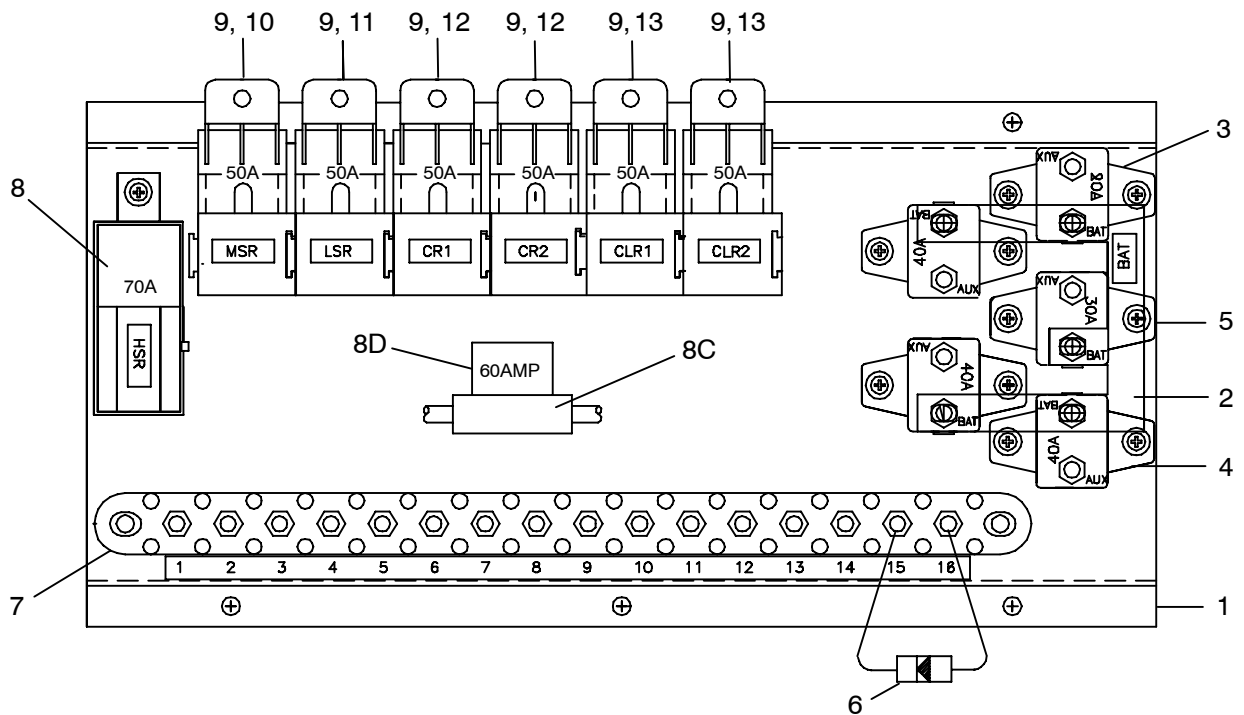
6.47 CONTROL PANEL, GEN 4, TOTAL CONTROL, EM-3 WITH 1 CM - Continued:			
Item	Part Number	Description	Qty
11	22-62238-00Connector/Lock Assembly, Relay, With Wiring (MSR) - Includes:	1
11A	AC201-901Connector, Relay	1
11B	AC201-931Lock, Connector, Relay	1
12	22-62238-01Connector/Lock Assembly, Relay, With Wiring (LSR) - Includes:	1
12A	AC201-901Connector, Relay	1
12B	AC201-931Lock, Connector, Relay	1
13	22-62238-02Connector/Lock Assembly, Relay, With Wiring (CR) - Includes:	1
13A	AC201-931Lock, Connector, Relay	1
13B	AC201-901Connector, Relay	4
14	68-63262-00Channel, Mounting, Electrical Panel	1
15	34-00655-06Bolt, Hex Head, 1/4-20 X 3/4 Inch	3
16	34-00663-11Washer, Split Lock, 1/4 Inch	3
17	34-00662-11Washer, Flat, 1/4 Inch	3

6.48 CONTROL PANEL, EM-3, GEN V, VARIABLE SPEED



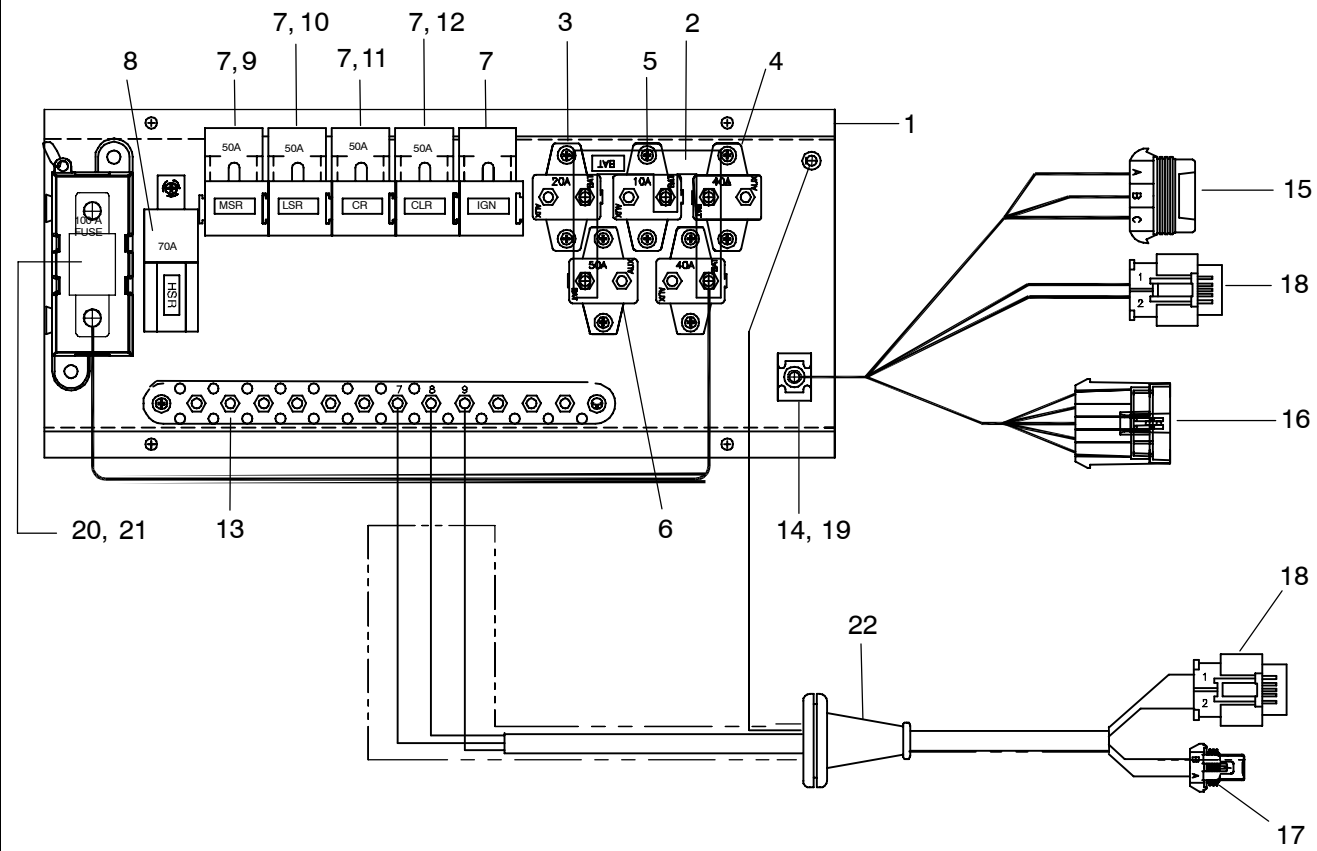
Item	Part Number	Description	Qty
-	91-62051-00	Panel Assembly, EM-3, (GenV) Shown Above, Includes:	1
1	68-63304-00Channel, Mounting, Electrical Panel	1
2	68-63129-00Buss Bar	1
3	AC201-105Breaker, Circuit, 20 Amp, Manual Reset	1
4	AC201-112Breaker, Circuit, 40 Amp, Manual Reset	2
5	22-62210-01Relay/Connector Assembly, With Wiring & Fuse - Includes:	1
5A	10-00328-00Relay, 70 Amp, 12 VDC	1
5B	22-50078-18Connector, Relay	1
5C	22-62110-00Holder,Fuse, In-Line With Cover	1
5D	22-02336-17Fuse, 60 AMP	1
5E	AC901-513Label, HSR, (High Speed Relay)	1
6	10-00286-14Relay, 50 Amp	4
7	22-62238-03Connector/Lock Assembly, Relay, With Wiring (CLR) - Includes:	2
7A	AC201-901Connector, Relay	1
7B	AC201-931Lock, Connector, Relay	1
8	22-62238-02Connector/Lock Assembly, Relay, With Wiring (CR) - Includes:	2
8A	AC201-931Lock, Connector, Relay	1
8B	AC201-901Connector, Relay	1
9	AC201-600Diode, In-Line, 6 Amp	2
10	22-01334-11Junction Block (14) , #10-32 Studs	1

6.49 CONTROL PANEL, EM-3, GEN 5, THREE SPEED



Item	Part Number	Description	Qty
-	91-62052-00	Panel Assembly, EM-3, (GenV) Shown Above, Includes:	1
1	68-63308-00Channel, Mounting, Electrical Panel	1
2	68-62860-00Buss Bar, Brass	1
3	AC201-105Breaker, Circuit, 20 Amp, Manual Reset	1
4	AC201-112Breaker, Circuit, 40 Amp, Manual Reset	3
5	AC201-106Breaker, Circuit, 30 Amp, Manual Reset	1
6	AC201-600Diode, In-Line, 6 Amp	1
7	22-01334-13Terminal Block (16) , #10-32 Studs	1
8	22-62210-01Relay/Connector Assembly, With Wiring & Fuse - Includes:	1
8A	10-00328-00Relay, 70 Amp, 12 VDC	1
8B	22-50078-18Connector, Relay	1
8C	22-62110-00Holder,Fuse, In-Line With Cover	1
8D	22-02336-17Fuse, 60 AMP	1
8E	AC901-513Label, HSR, (High Speed Relay)	1
9	10-00286-14Relay, 50 Amp, 12 VDC	6
10	22-62238-00Connector/Lock Assembly, Relay, With Wiring (MSR) - Includes:	1
10A	AC201-901Connector, Relay	1
10B	AC201-931Lock, Connector, Relay	1
11	22-62238-01Connector/Lock Assembly, Relay, With Wiring (LSR) - Includes:	1
11A	AC201-901Connector, Relay	1
11B	AC201-931Lock, Connector, Relay	1
12	22-62238-02Connector/Lock Assembly, Relay, With Wiring (CR) - Includes:	2
12A	AC201-931Lock, Connector, Relay	1
12B	AC201-901Connector, Relay	1
13	22-62238-03Connector/Lock Assembly, Relay, With Wiring (CLR) - Includes:	2
13A	AC201-901Connector, Relay	1
13B	AC201-931Lock, Connector, Relay	1

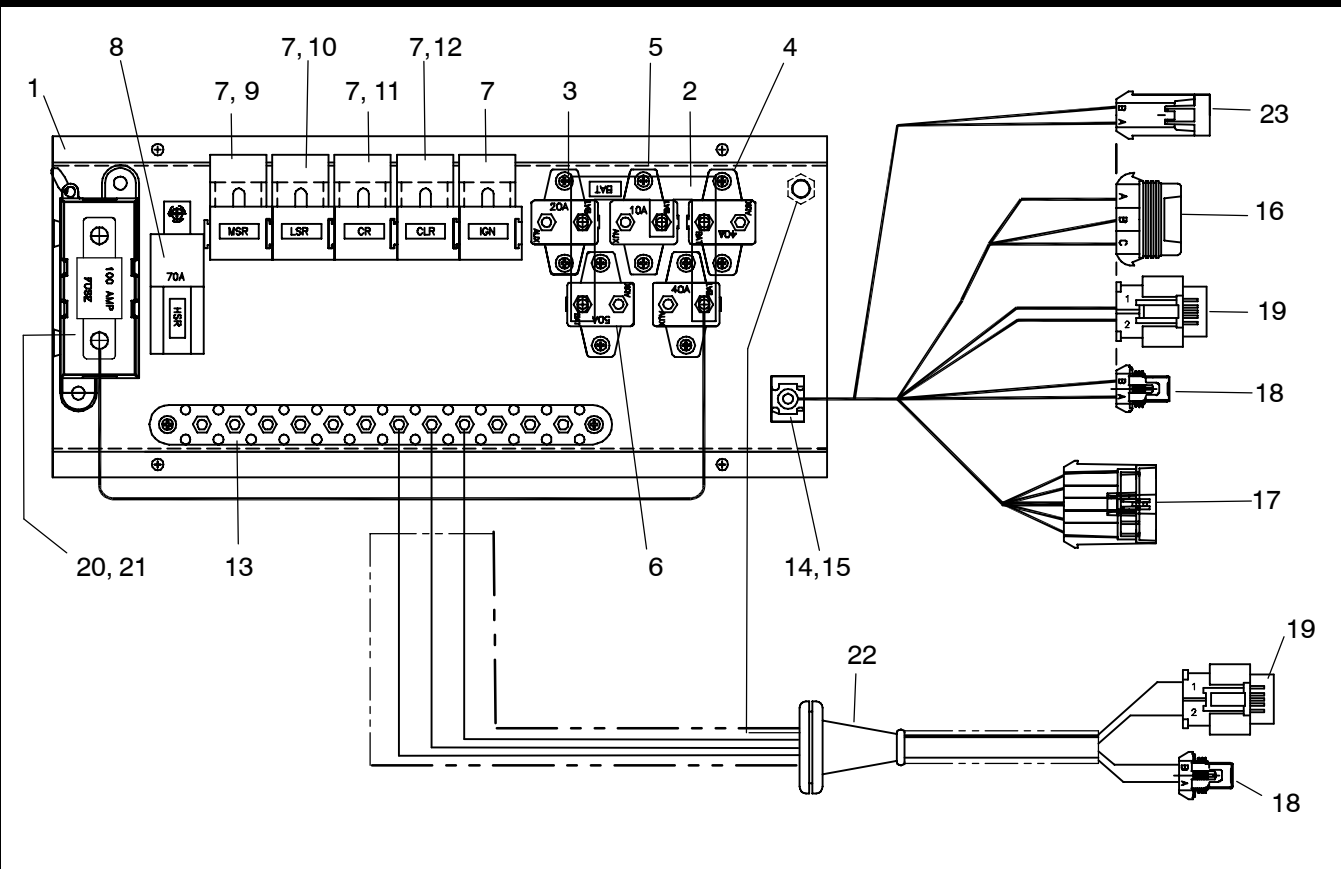
6.50 CONTROL PANEL, THOMAS C2, (1) EM-1/2/7, (1) CM



Item	Part Number	Description	Qty
-	91-62056-00	Panel Assembly, Total Control, EM-1, (GenV) Shown Above, Includes:	1
1	68-63473-00Panel Assembly, Electrical	1
2	68-62860-00Buss Bar, Brass	1
3	AC201-105Breaker, Circuit, 20 Amp, Manual Reset	1
4	AC201-112Breaker, Circuit, 40 Amp, Manual Reset	2
5	AC201-105-1Breaker, Circuit, 10 Amp, Manual Reset	1
6	AC201-107Breaker, Circuit, 50 Amp, Manual Reset	1
7	10-00286-14Relay, 50 Amp, 12 VDC	5
7A	AC201-901Connector, Relay, Ignition	1
7B	AC201-931Lock, Connector, Relay, Ignition	1
8	22-62210-00Relay/Connector Assembly, With Wiring - Includes:	1
8A	10-00328-00Relay, 70 Amp, 12 VDC	1
8B	22-50078-18Connector, Relay	1
8C	AC901-513Label, HSR (High Speed Relay)	1
9	22-62238-00Connector/Lock Assembly, Relay, With Wiring (MSR) - Includes:	1
9A	AC201-901Connector, Relay	1
9B	AC201-931Lock, Connector, Relay	1
10	22-62238-01Connector/Lock Assembly, Relay, With Wiring (LSR) - Includes:	1
10A	AC201-901Connector, Relay	1
10B	AC201-931Lock, Connector, Relay	1
11	22-62238-02Connector/Lock Assembly, Relay, With Wiring (CR) - Includes:	1
11A	AC201-931Lock, Connector, Relay	1
11B	AC201-901Connector, Relay	1
12	22-62238-03Connector/Lock Assembly, Relay, With Wiring (CLR) - Includes:	1

6.50 CONTROL PANEL, THOMAS C2, (1) EM-1/2/7, (1) CM - Continued			
Item	Part Number	Description	Qty
12A	AC201-901Connector, Relay	1
12B	AC201-931Lock, Connector, Relay	1
13	22-01334-09Terminal Block , 12 Positions	1
14	AC701-303Wire Tie, Cable Mount	1
15	22-50078-87Connector, Female, 3 Pin, Black	1
16	22-50078-45Connector, Male, 10 Pin, Black	1
17	22-50078-73Connector, Female, 2 Pin, Black	1
18	22-50098-71Connector, Female, 2 Pin, Black	2
19	AC701-300Wire Tie, Self-Locking, 6 Inches	1
20	22-01800-00Holder, Fuse, Mega Fuse, With Cover	1
21	22-02336-31Fuse, 100 Amp	1
22	58-62153-00Grommet, Cord Guard	1

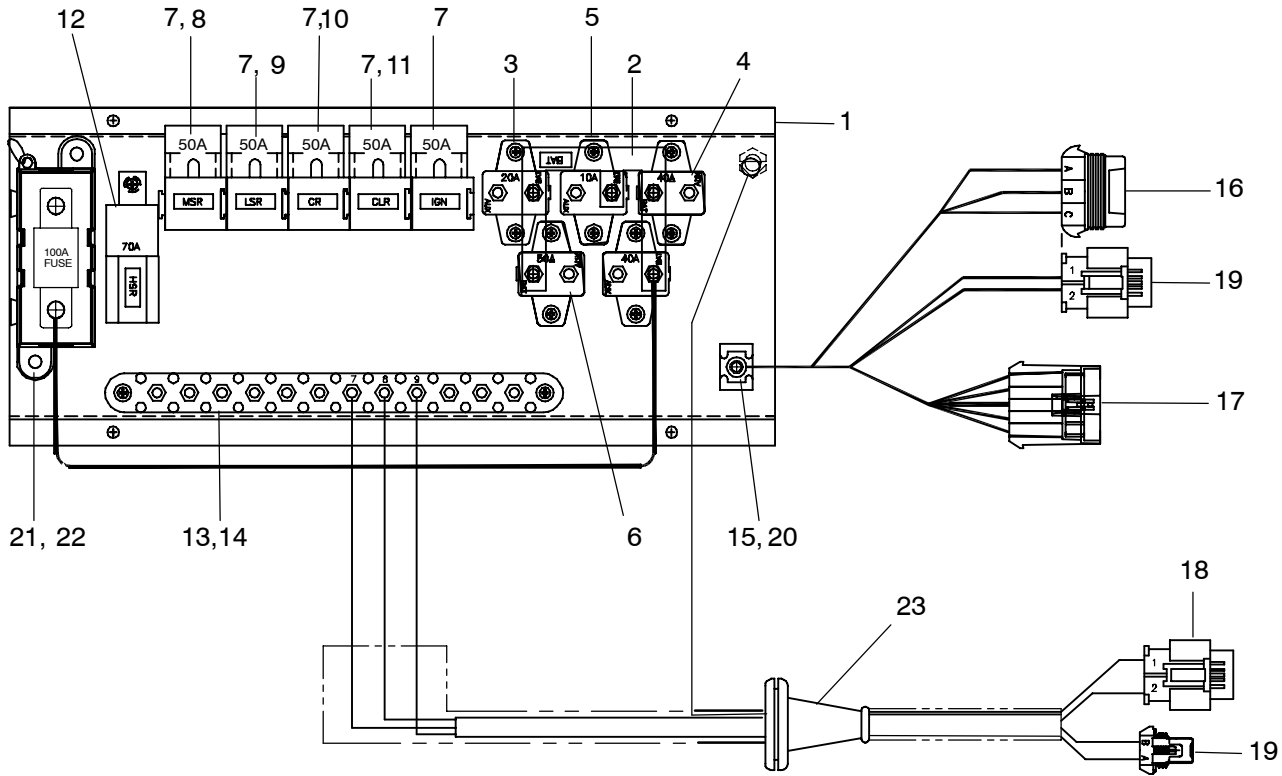
6.51 CONTROL PANEL, THOMAS C2, (1) EM-1/2/7, (1) CM WITH DASH AIR



Item	Part Number	Description	Qty
-	91-62057-00	Panel Assembly, Total Control, EM-1, (GenV) Shown Above, Includes:	1
1	68-63473-00Panel Assembly, Electrical	1
2	68-62860-00Buss Bar, Brass	1
3	AC201-105Breaker, Circuit, 20 Amp, Manual Reset	1
4	AC201-112Breaker, Circuit, 40 Amp, Manual Reset	2
5	AC201-105-1Breaker, Circuit, 10 Amp, Manual Reset	1
6	AC201-107Breaker, Circuit, 50 Amp, Manual Reset	1
7	10-00286-14Relay, 50 Amp, 12 VDC	5
7A	AC201-901Connector, Relay, Ignition	5
7B	AC201-931Lock, Connector, Ignition	5
8	22-62210-00Relay/Connector Assembly, With Wiring & Fuse - Includes:	1
8A	10-00328-00Relay, 70 Amp, 12 VDC	1
8B	22-50078-18Connector, Relay	1
8C	AC901-513Label, HSR (High Speed Relay)	1
9	22-62238-00Connector/Lock Assembly, Relay, With Wiring (MSR) - Includes:	1
9A	AC201-901Connector, Relay	1
9B	AC201-931Lock, Connector, Relay	1
10	22-62238-01Connector/Lock Assembly, Relay, With Wiring (LSR) - Includes:	1
10A	AC201-901Lock, Connector, Relay	1
10B	AC201-931Lock, Connector, Relay	1
11	22-62238-02Connector/Lock Assembly, Relay, With Wiring (CR) - Includes:	1
11A	AC201-931Lock, Connector, Relay	1
11B	AC201-901Connector, Relay	1

6.51 CONTROL PANEL, THOMAS C2, (1) EM-1/2/7, (1) CM WITH DASH AIR - Continued			
Item	Part Number	Description	Qty
12	22-62238-03Connector/Lock Assembly, Relay, With Wiring (CLR) - Includes:	1
12A	AC201-901Connector, Relay	1
12B	AC201-931Lock, Connector, Relay	1
13	22-01334-09Terminal Block, 12 Positions	1
14	AC701-303Wire Tie, Cable Mount	1
15	AC701-300Wire Tie, Self-Locking, 6 Inches	1
16	22-50078-87Connector, Female, 3 Pin, Black	1
17	22-50078-45Connector, Male, 10 Pin, Black	1
18	22-50078-73Connector, Female, 2 Pin, Black	2
19	22-50098-71Connector, Female, 2 Pin, Black	2
20	22-01800-00Holder, Fuse, Mega Fuse, With Cover	1
21	22-02336-31Fuse, 100 Amp	1
22	58-62153-00Grommet, Cord Guard	1
23	22-50078-72Connector, Male	1

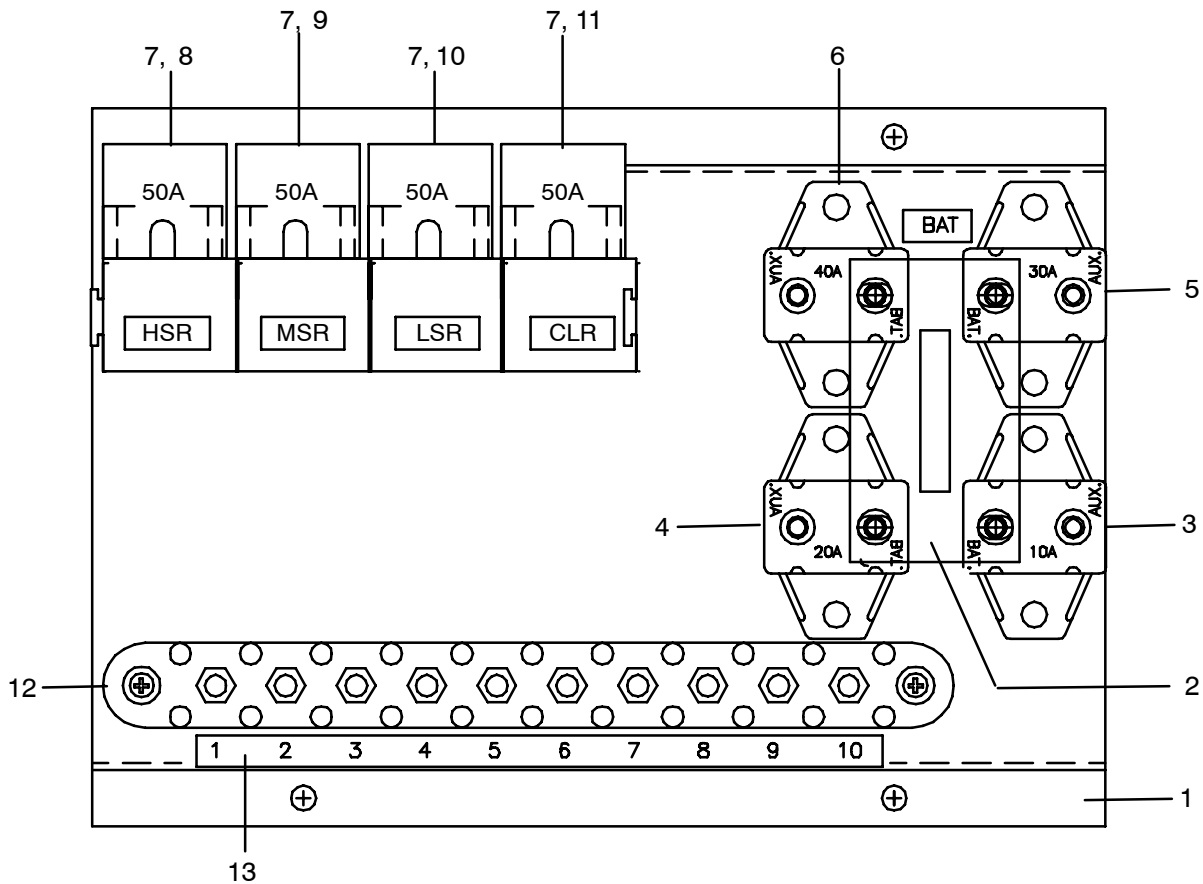
6.52 CONTROL PANEL, THOMAS C2, (1) EM-3, (1) CM-3



Item	Part Number	Description	Qty
-	91-62058-00	Panel Assembly, Total Control, EM-1, (GenV) Shown Above, Includes:	1
1	68-63473-00Panel Assembly, Electrical	1
2	68-62860-00Buss Bar, Brass	1
3	AC201-105Breaker, Circuit, 20 Amp, Manual Reset	1
4	AC201-112Breaker, Circuit, 40 Amp, Manual Reset	2
5	AC201-105-1Breaker, Circuit, 10 Amp, Manual Reset	1
6	AC201-107Breaker, Circuit, 50 Amp, Manual Reset	1
7	10-00286-14Relay, 50 Amp, 12 VDC	5
7A	AC201-901Connector, Relay, Ignition	1
7B	AC201-931Lock, Connector, Relay, Ignition	1
7C	AC901-513Label, HSR (High Speed Relay)	1
8	22-62238-00Connector/Lock Assembly, Relay, With Wiring (MSR) - Includes:	1
8A	AC201-901Connector, Relay	1
8B	AC201-931Lock, Connector, Relay	1
9	22-62238-01Connector/Lock Assembly, Relay, With Wiring (LSR) - Includes:	1
9A	AC201-901Connector, Relay	1
9B	AC201-931Lock, Connector, Relay	1
10	22-62238-02Connector/Lock Assembly, Relay, With Wiring (CR) - Includes:	1
10A	AC201-901Connector, Relay	1
10B	AC201-931Lock, Connector, Relay	1
11	22-62238-03Connector/Lock Assembly, Relay, With Wiring (CLR) - Includes:	1
11A	AC201-901Connector, Relay	1
11B	AC201-931Lock, Connector, Relay	1

6.52 CONTROL PANEL, THOMAS C2, (1) EM-3, (1) CM-3 - Continued			
Item	Part Number	Description	Qty
12	22-62210-00Relay/Connector Assembly, With Wiring & Fuse - Includes:	1
12A	10-00328-00Relay, 70 Amp, 12 VDC	1
12B	22-50078-18Connector, Relay	1
12C	AC901-513Label, HSR (High Speed Relay)	1
13	22-01334-09	Terminal Block , (12) 10-32 Studs	1
14	AC901-517	Label, Terminal Block	1
15	AC701-303	Wire Tie, Cable Mount	1
16	22-50078-87	Connector, Female, 3 Pin, Black	1
17	22-50078-45	Connector, Male, 10 Pin, Black	1
18	22-50078-73	Connector, Female, 2 Pin, Black	1
19	22-50098-71	Connector, Female, 2 Pin, Black	2
20	AC701-300	Wire Tie, Self-Locking, 6 Inches	1
21	22-01800-00	Holder, Fuse, Mega Fuse, With Cover	1
22	22-02336-31	Fuse, 100 Amp	1
23	58-62153-00	Grommet, Cord Guard	1

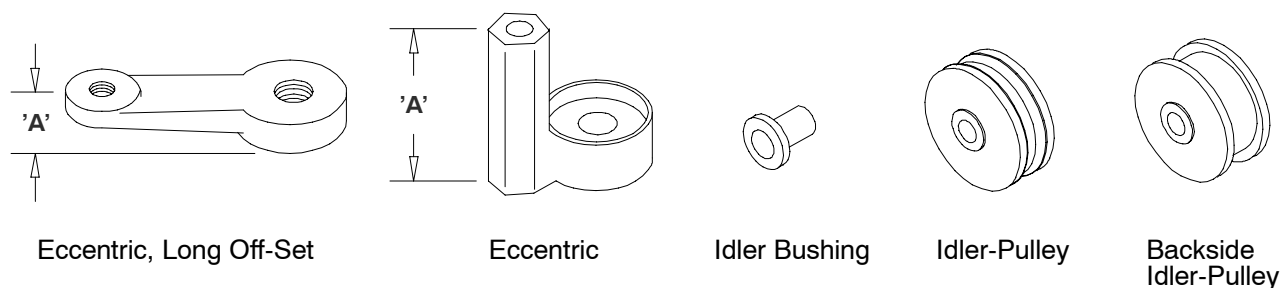
6.53 CONTROL PANEL, THOMAS C2, (1) EM-3, (1) CM-3



Item	Part Number	Description	Qty
-	91-62070-00	Panel Assembly, Electrical, EM-3, 3-Speed, GenV - Includes:	1
1	AC201-155Channel Assembly, Mounting, Electrical Components	1
2	68-63625-00Buss Bar, Brass	1
3	AC201-105-1Breaker, Circuit, 10 Amp, Manual Reset	1
4	AC201-105Breaker, Circuit, 20 Amp, Manual Reset	1
5	AC201-106Breaker, Circuit, 30 Amp, Manual Reset	1
6	AC201-112Breaker, Circuit, 40 Amp, Manual Reset	1
7	10-00286-14Relay, 50 Amp, 12 VDC	4
8	AC201-922Connector/Lock Assembly, Relay, With Wiring (HSR) - Includes:	1
8A	AC201-901Connector, Relay	1
8B	AC201-931Lock, Connector, Relay	1
9	22-62238-00Connector/Lock Assembly, Relay, With Wiring (MSR) - Includes:	1
9A	AC201-901Connector, Relay	1
9B	AC201-931Lock, Connector, Relay	1
10	22-62238-01Connector/Lock Assembly, Relay, With Wiring (LSR) - Includes:	1
10A	AC201-901Connector, Relay	1
10B	AC201-931Lock, Connector, Relay	1
11	22-62238-03Connector/Lock Assembly, Relay, With Wiring (CLR) - Includes:	1
11A	AC201-901Connector, Relay	1
11B	AC201-931Lock, Connector, Relay	1
12	22-01334-07Junction Block, With (10) 10-32 Studs	1
13	22-01334-07Label, Terminal Block, 10 Position	1

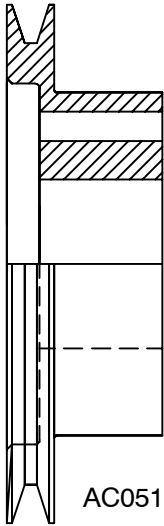
SECTION 7 - MOUNT KITS

7.1 BUSHINGS - IDLERS - ECCENTRICS - FAN SPACERS

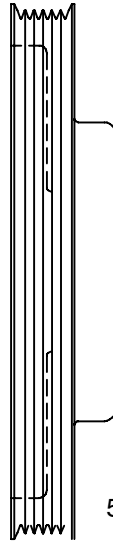


Part Number	Description
48-62018-01	Eccentric, "A" Dimension, 3/4 inch, Long Offset (AC601-525)
48-62016-01	Eccentric, "A" Dimension, 1-1/8 inch (AC601-505)
48-62018-00	Eccentric, "A" Dimension, 1-3/16 inch, Long Offset (AC601-522)
48-62016-07	Eccentric, "A" Dimension, 1-1/4 inch, Center Hole Tapped (AC601-527)
48-62016-08	Eccentric, "A" Dimension, 1-1/4 inch, Thru Center Hole (AC601-537)
48-62016-00	Eccentric, "A" Dimension, 1-1/2 inch (AC601-502)
48-62016-06	Eccentric, "A" Dimension, 1-9/16 inch (No Longer Available) (AC601-515)
48-62016-02	Eccentric, "A" Dimension, 1-5/8 inch (AC601-506)
48-62016-03	Eccentric, "A" Dimension, 1-3/4 inch (AC601-509)
48-62016-04	Eccentric, "A" Dimension, 1-7/8 inch (AC601-510)
48-62016-05	Eccentric, "A" Dimension, 2 inch (AC601-511)
48-62018-02	Eccentric, "A" Dimension 3/4 Inch, Long Off-Set, (Drilled Thru) (AC601-525-1)
AC601-534	Eccentric, Spacer, 1 inch
AC601-519	Bushing, Idler, 3/8 inch Bolt
AC601-508	Bushing, Idler, 7/16 inch Bolt
AC601-520	Bushing, Idler, 1/2 inch Bolt
48-62013-00	Bushing, Idler, 8MM Bolt
AC601-545	Bushing, Idler, Double Bearing, 10mm
AC601-535	Bushing, Compressor Ear, (Direct Mount)
AC601-500	Idler, Kit, Single Groove, 3-3/4 inch Diameter
N/A	Idler, Kit, Double Groove, 3-3/4 inch Diameter AC601-501
AC601-542	Idler, Pulley, Backside, 2-7/8 inch Diameter
AC601-528	Idler, Pulley, Backside, Single, 3-1/4 inch Diameter
AC051-586	Idler, Pulley, Backside, Dual, 3-5/8 inch Diameter
AC601-538	Idler, Pulley, Single, "A" Groove, 3-3/4 inch Diameter
50-62051-00	Idler, Pulley, Poly V, 6-Groove, Single, 3-1/4 inch Diameter
AC601-539	Spacer, Fan, 3/4 inch, 4 Holes, (2-1/2 inch Bore Center)
AC601-540	Spacer, Fan, 1 inch, 4 Holes, (2-1/2 inch Bore Center)
AC601-541	Spacer, Fan, 5/8 inch, 6BT With Electric Clutch
AC601-548	Spacer, Fan, 1 inch, 6CTA, 8.3 Cummins
AC601-524	Bolt, Shoulder, Single Bearing Idler
AC601-523	Arm, Adjusting, Straight
AC601-518	Water, Engine Outlet, (460 Add-On)
AC601-547	Manifold Assembly, Ford, 7.3 Liter, (Seltec)

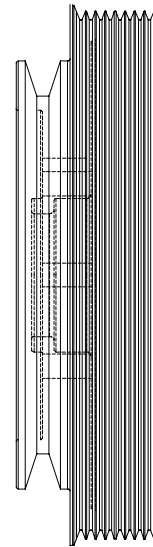
7.2 PULLEYS



AC051-1285P



50-62014-00





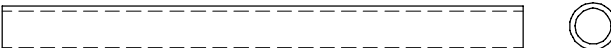

50-62029-00

Part Number	Description
AC601-315	Pulley, Crank, Dual "A" Groove, (Chevy 366 & 427)
AC601-301	Pulley, Crank, 3 "A" Groove, (Chevy 6.2L)
AC601-338	Pulley, Water Pump, 3 "A" Groove, 6.2L, (7/16 Inch Diameter Holes)
AC601-328	Pulley, Crank, Single "A" Groove, (Cummins 6BT)
AC601-336	Pulley, Crank, Dual "B" Groove, (Cummins 6BT)
AC601-327	Pulley, Water Pump, Single "A" Groove, (Cummins 6BT & 6CT)
AC601-342	Pulley, Crank, Single Groove, (Dodge 360)
AC051-886P	Pulley, Crank, Dual "A" Groove, (CAT 3116)
AC051-212	Pulley, Crank, Single "A" Groove, (Chevy 350)
AC051-1114P	Pulley, Crank, Dual "A" Groove, Add-On, (DT 408 & 466)
AC051-1285P	Pulley, Crank, Single "A" Groove, Add-On, (97 Ford 6.8L)
AC051-409	Pulley, Crank, Single "A" Groove, Add-On, (Ford 7.3L)
AC051-1176P	Pulley, Crank, Formed Steel, Add-On, (95/97 Ford 7.3)
AC051-1116P	Pulley, Crank, Dual "A" Groove, Add-On, (94 I.H. T444E)
AC051-1110P	Pulley, Crank, 6 Groove Poly-V, Add-On, 6.75 Inch Diameter, (I.H. T444E)
AC051-1111P	Pulley, Water Pump, Backside, Add-On, (I.H. 444E)
AC051-1112P	Pulley, Water Pump, Backside, (I.H. 444E)
AC053-098P	Pulley, Crank, Dual "B" Groove, (CAT 3116-ADM)
AC053-011P	Pulley, Crank, Pulley, Crank, Dual 5V Groove, (CAT 3108)
AC053-450P	Pulley, Crank, Dual "B" Groove, (6CT-ADM)
AC053-062P	Pulley, Crank, Dual "B" Groove, (Cummins 6CTA-ADM)
50-62014-00	Pulley, Crank, 6 Groov Poly-V, 8.5 Inch Diameter, (I.H. 444E)
50-62029-00	Pulley, Fan-Hub Add-On, 8 Groove Poly-V & "A" Groove, Painted Black, (Mercedes)

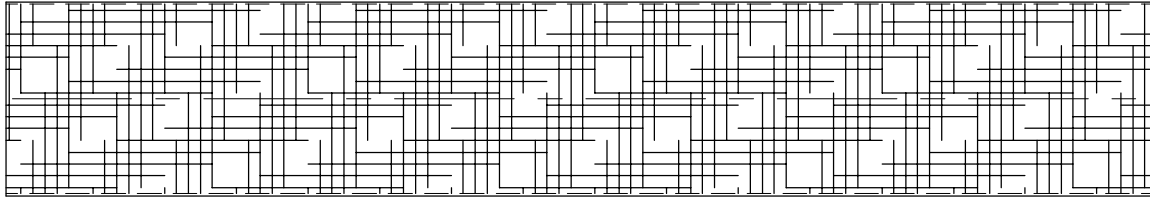
7.3 HOSE, MISCELLANEOUS

Part Number	Description
AC301-215	Hose, Air Cleaner, 2 inch ID X FT.
AC301-206	Hose, Duct, 2 Inch ID X 6 Foot (Section)
AC301-205	Hose, Duct, 2-1/2 Inch ID X 6 Foot (Section)
AC301-222	Hose, Duct, Flexible Metal, 5 Inch ID (I.H. 7.3L Skat)
AC301-201	Hose, Fuel, 1/4 Inch ID X Foot
AC301-210	Hose, Fuel, 3/16 Inch X Foot
AC301-209	Hose, Fuel, 5/16 Inch X Foot
AC301-218	Hose, Heater, 5/8 Inch ID X Foot
AC301-224	Hose, Heater, 3/4 Inch ID X Foot
AC301-214	Hose, Heater, 1 Inch ID X Foot
AC301-233	Hose, Radiator, 3/4 Inch 90 Degree
AC301-243	Hose, Radiator, 1 Inch 90 Degree
AC301-216	Hose, Radiator, 1-1/4 Inch ID
AC301-217	Hose, Radiator, 1-3/8 Inch ID
AC301-202	Hose, Radiator, 1-1/2 Inch ID
AC301-208	Hose, Radiator, 1-1/2 Inch ID
AC301-235	Hose, Radiator, 1-1/2 Inch ID X Foot
AC301-220	Hose, Radiator, 1-1/2 Inch ID
AC301-211	Hose, Radiator, 1-3/4 Inch ID
AC301-242	Hose, Radiator, 2 Inch ID X 3-1/2 Inch
AC301-221	Hose, Radiator, 2 Inch ID X 3 Foot
AC301-241	Hose, Radiator, 2-1/4 Inch ID X 4 Inches
AC301-223	Hose, Radiator
AC301-228	Hose, Radiator
AC301-219	Hose, Radiator, 88 Ford 460, Add-On
AC301-238	Hose, Silicone, 5/8 Inch ID X Foot
AC301-227	Hose, Silicone, 3/4 Inch ID X Foot
AC301-230	Tubing, Air Brake PFT, 1/4 Inch OD X Foot
AC301-231	Tubing, Air Brake PFT, 3/8 Inch OD X Foot
AC301-229	Tubing, Air Brake PFT, 1/2 Inch OD X Foot

7.4 CONDENSATE VALVE & DRAIN HOSE

 <p>AC301-200</p>	 <p>AC301-204</p>
 <p>AC301-239</p>	 <p>AC301-240</p>
Part Number	Description
AC301-204	Hose, Condensate Valve, 1 Inch X 3 inch Long, GEN I, GEN II & GEN 5 (Kazoo)
AC301-240	Hose, Condensate Valve, 1-1/4 Inch X 3 inch Long, GEN III & GEN 4 (Kazoo)
AC301-200	Hose, Drain, 1/2 Inch ID X 50 Feet Long, (GEN I, GEN II & GEN 5)
AC301-239	Hose, Drain, 5/8 Inch ID X 50 Feet Long, (GEN III & GEN 4)

7.5 INSULATION TUBE, (HEAT)

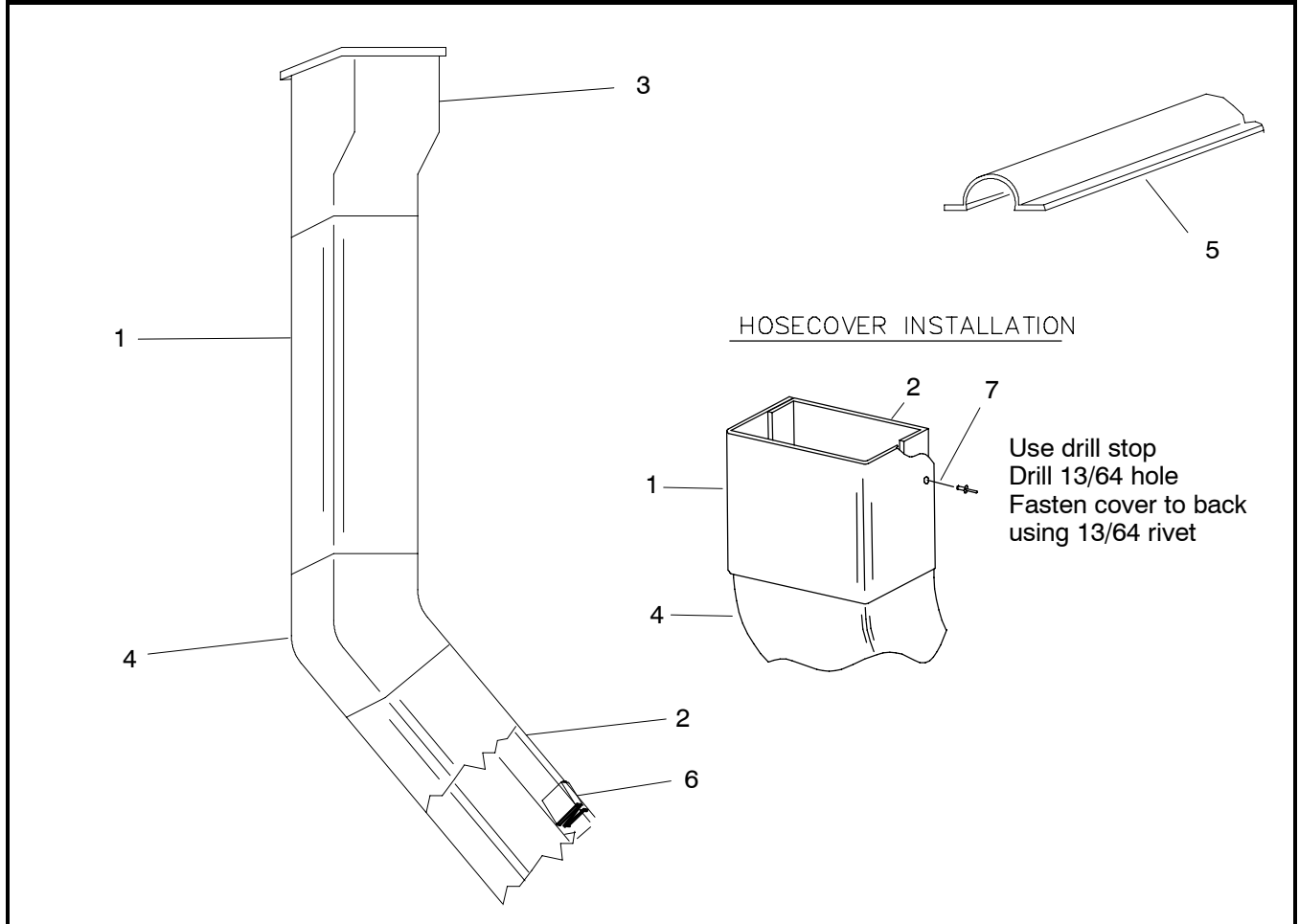


For protecting refrigerant hose in engine compartment or any other high heat areas

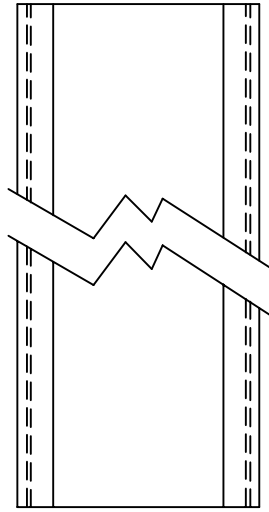
58-62062-00	Tube, Insulation, (Fyrejacket), 2 Inch I.D X 24 Inch, Fiberglass With Silicone Rubber
58-62062-01	Tube, Insulation, (Fyrejacket), 2 Inch I.D X 48 Inch
58-62062-02	Tube, Insulation, (Fyrejacket), 2 Inch I.D X 72 Inch
58-62062-10	Tube, Insulation, (Fyrejacket), 2 Inch I.D X 1200 Inch
58-62030-00	Tube, Insulation, 2 Inch I.D X 24 Inches, Fiberglass With Aluminum Foil

SECTION 8 - MISCELLANEOUS

8.1 HOSECOVERS AND ACCESSORIES



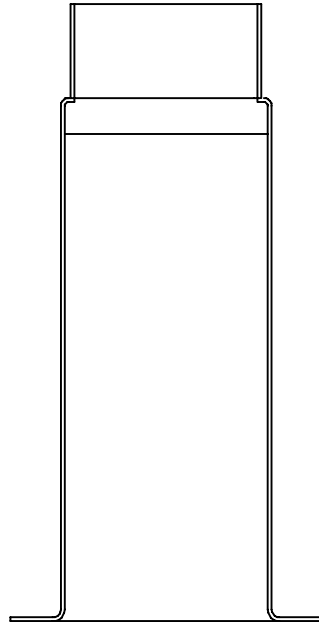
Item	Part Number	Description
1	N/A	Hosecover, Vinyl Coated, 36 inch, (Beige - AC010-007)
	AC010-007-1	Hosecover, Vinyl Coated, 36 inch, (White)
	AC010-007-2	Hosecover, Vinyl Coated, 36 inch, (Gray)
	N/A	Hosecover, Vinyl Coated, 47 inch, (Beige - AC011-030)
	AC011-030-1	Hosecover, Vinyl Coated, 47 inch, (White)
	AC011-030-2	Hosecover, Vinyl Coated, 47 inch, (Gray)
2	AC010-008	Hosecover, Back, 36 inch
	AC011-031	Hosecover, Back, 47 inch
3	AC011-032	Hosecover, Transition, (Beige)
	AC011-032-1	Hosecover, Transition, (White)
	AC011-032-2	Hosecover, Transition, (Gray)
4	N/A	Hosecover, Elbow. 60°, (Beige - AC011-049)
	AC011-049-1	Hosecover, Elbow. 60°, (White)
	AC011-049-2	Hosecover, Elbow. 60°. (Gray)
5	AC011-077	Hosecover, Drain Line, 48 inch, Beige
	AC011-077-1	Hosecover, Drain Line, 48 inch, White
	AC011-077-2	Hosecover, Drain Line, 48 inch, Gray
6	AC701-103	Clip, Tinnerman, S-Type, (Hosecover)
7	AC701-401	Rivet, Pop, Steel, (SD62BS)



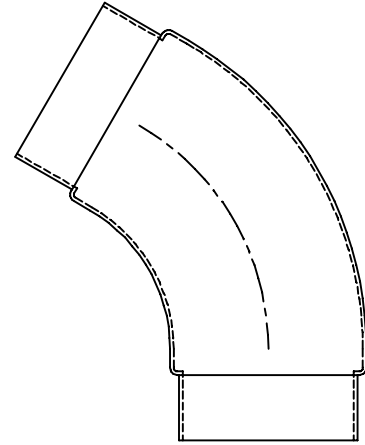
1



TOP VIEW



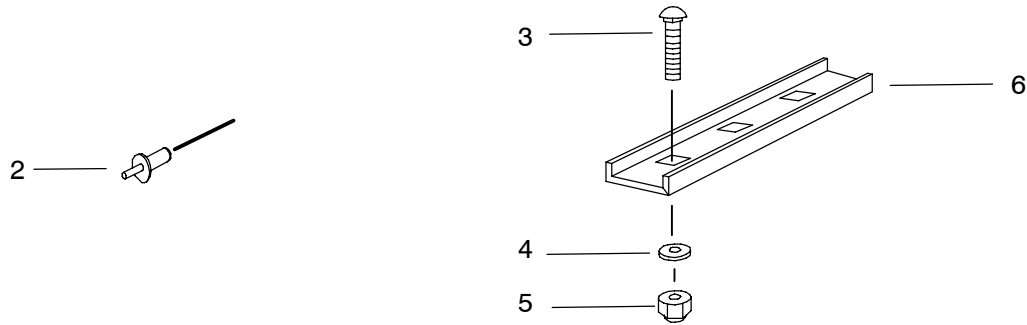
2



3

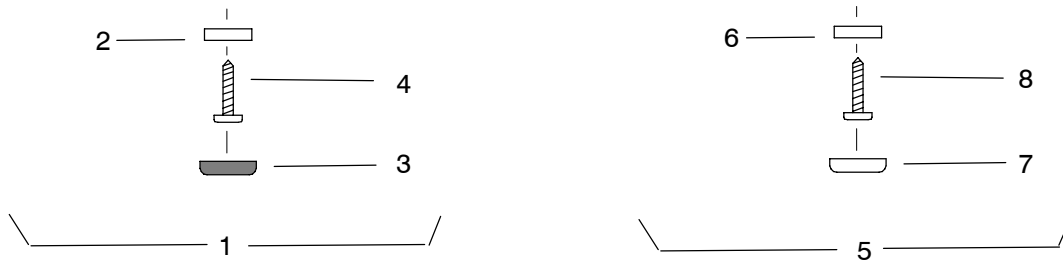
Item	Part Number	Description
1	58-01384-00	Hosecover, 2 Piece, Gray
	58-01384-01	Hosecover, 2 Piece, White
2	58-01383-00	Hosecover, Transition, Gray
	58-01383-01	Hosecover, Transition, White
3	58-01382-00	Corner Cover, 90 Degree Elbow, Gray
	58-01382-01	Corner Cover, 90 Degree Elbow, White

8.3 HARDWARE KIT, EVAPORATOR MOUNTING TO CHANNELS, (REAR)



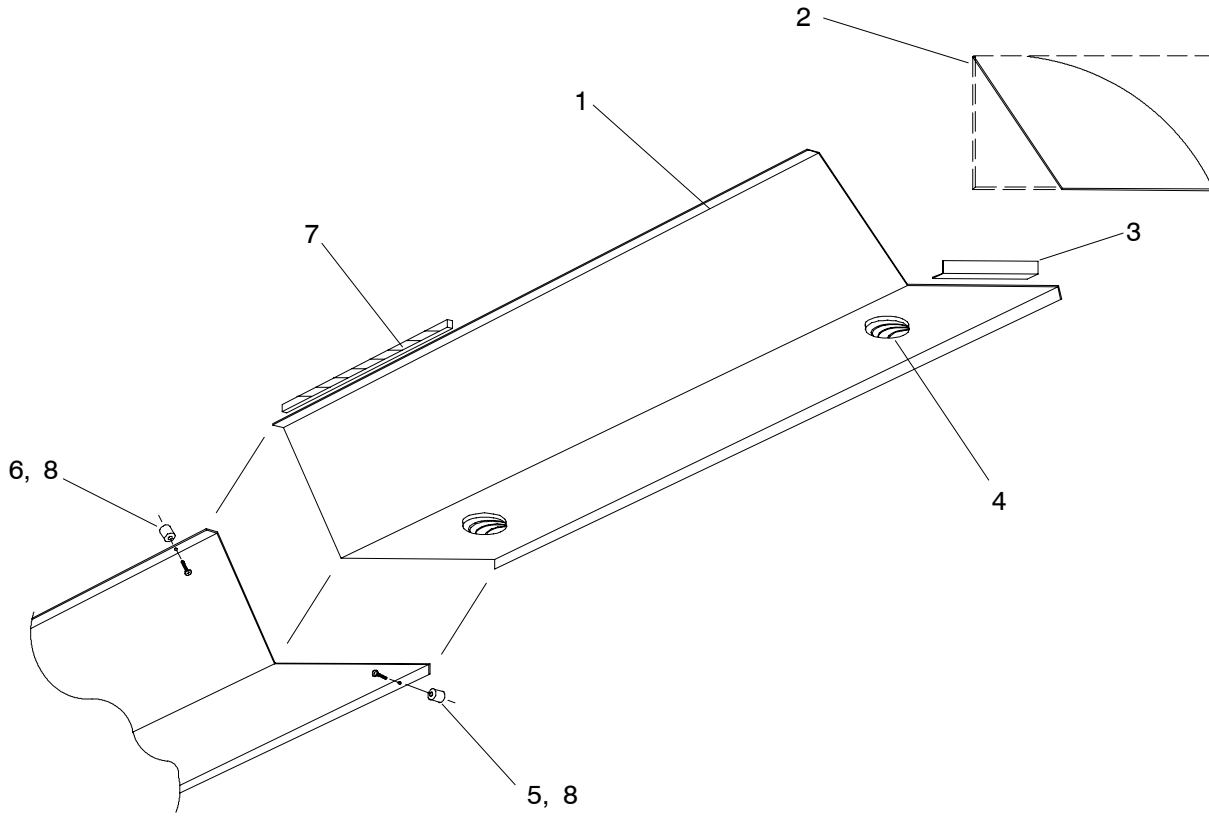
Item	Part Number	Description	
1	76-62103-01	Hardware Kit, Unit Mounting To Channels, Includes:	1
2	AC701-403 Rivet, Pop, 1/8-Steel	3
3	34-01310-01 Bolt, Carriage, Round Head, 3/8-16 X 4 Inches, Zinc plated	4
4	34-00588-13 Washer, Flat, 3/8 Inch, Zinc Plated	4
5	34-00361-13 Nut, Hex, Lock, 3/8-16, Zinc Plated	4
6	AC020-009	Channel, Mounting, 3/16 X 30 Inches Long	2
	AC021-360	Channel, Mounting, 3/16 X 15.75 Inch, (Model 77-62112-80 & -82 Only)	2

8.4 HARDWARE KIT, EVAPORATOR COVER MOUNTING, (REAR AND SIDE MOUNT)



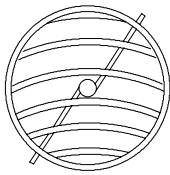
Item	Part Number	Description	
1	76-62103-00	Hardware Kit, Cover Mounting To Unit, Gray, Includes:	1
2	AC801-529 Washer, Snap Cap	8
3	AC801-532 Snap Cap, Gray	8
4	34-62046-00 Screw, Pan Head, Phillips, #10 X 5/8 Inch, AB, Black	8
5	76-62103-04	Hardware Kit, Cover Mounting To Unit, White, Includes:	1
6	AC801-529 Washer, Snap Cap	8
7	AC801-531 Snap Cap, White	8
8	34-50044-00 Screw, Pan Head, Phillips, #10 X 5/8 Inch, AB, Black	8

8.5 CORNER DUCTING

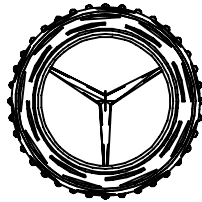


Item	Part Number	Description
1	AC011-001	Duct Section, Vinyl Coated Metal, Beige, (6 Foot Section)
	AC011-001-2	Duct Section, Vinyl Coated Metal, Gray, (6 Foot Section)
2	AC011-006	Air Block, End Cap, Vinyl Coated Metal, Beige
	AC011-006-2	Air Block, End Cap, Vinyl Coated Metal, Gray
3	AC011-018	Angle, End Cap Mounting
4	AC401-301	Grill, 3 Inch, Round, (Tour Style)
5	AC801-309	Spacer, Nylon, Bottom, 1/4 Inch, (Transit Style)
6	AC801-310	Spacer, Nylon, Top, 3/8 Inch, (Transit Style)
7	AC801-401	Gasket, Foam, 3/16 Inch X 3/8 Inch X Foot
8	34-50046-00	Screw, Pan Head Phillips, #10 X 3/4 Inch, Self Drilling, SST

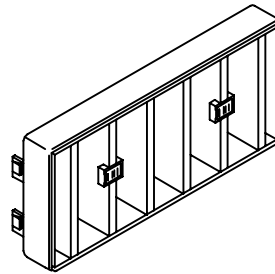
8.6 LOUVERS



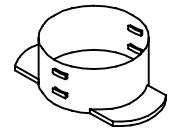
AC401-300



58-01379-00



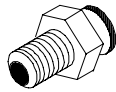
AC401-314



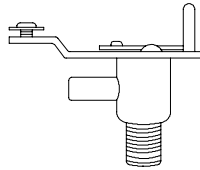
AC401-307

Part Number	Description
AC401-300	Grill, Round, 2 inch
AC401-301	Grill, Round, 3 inch
AC401-302	Louver, With Bezel - Black, 2 Inch X 1-1/2 Inch
58-01386-00	Ball Louver - 2-1/2 Inch Black, With Hose Back
AC401-306	Mounting Ring, Black - 2-1/4 Inch I.D.
AC401-307	Hose Adapter - 2-1/2 Inch
AC401-308	Louver, With Bezel - Black, 3 Inch X 7 Inch
AC401-309	Louver, Ball, 2 inch
AC401-310	Hose Connector - 2 Inch X 2-1/2 Inch
58-01379-00	Ball Louver, 2 Inch Black (Triple Vane) With 2.5 Inch Hose Adapter & Lock Ring
AC401-312	Louver Assembly With 2-1/2 Adapter, (401-313)
AC401-313	Louver Cover, (401-312)
AC401-314	Louver With Bezel - Black, 3-1/4 Inch X 7-3/4 Inch
AC401-315	Louver, With Bezel, Black, 1-1/2 inch X 4-3/4 inch
AC401-320	Louver, EM-1-2-3-6-14 (Gen III & GEN 4)
AC401-322	Adapter, Hose, 2 inch
AC401-323	Adapter, Hose, 3 inch

8.7 REFRIGERATION COMPONENTS



Valve, Air Vent



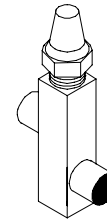
Valve -
Heat Control



Core -
Access Valve



Valve Body

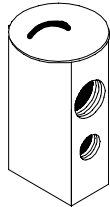


Shut-Off Valve

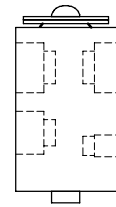
Part Number	Description
40-00081-00	Valve, Air Vent, 1/8 Inch MPT, Brass
AC101-408	Valve, Discharge, 5/8I Inch OD Tube
AC101-405	Valve, Drain Cock, 1/8 Inch MPT
AC101-406	Valve, Drain Cock, 1/4 Inch MPT
AC101-403	Valve, Water Service, Hand Operated
AC101-400	Valve, Heat Control, Cable Operated, (EM-21)
AC101-412	Valve, Refrigerant, 1/2 Inch Flare X 1/2 Inch Flare
AC101-415	Valve, Refrigerant, Angle, 1/2 Inch Flare X 1/2 Inch Flare
AC101-429	Valve, Shutoff, 1/2 Inch Flare X 1/2 Inch Flare
AC101-430	Valve, Shutoff, 1/2 Inch Female Flare X 1/2 Inch Male Flare O-Ring
AC101-428	Valve, Shutoff, 1/2 Inch Female Flare O-Ring X 1/2 Inch Male O-Ring
AC101-441	Valve, Shutoff, 5/8 inch Female O-Ring X 5/8 Inch Male O-Ring
EP32UZ232	Valve, Shutoff, 5/8 Inch Solder
AC101-404	Valve, Solenoid, 12 VDC, Refrigerant
AC101-401	Valve, Solenoid, 12 VDC, Water Service
AC101-407	Valve, Suction, 7/8 Inch OD Tube
AC101-425	Valve, 4-Way, Toggle, (Pivot Base)
AC101-426	Regulator, With Gauge, (Use with AC101-427)
AC101-427	Bracket, Regulator, (Use with AC101-426)
40-00190-00	Valve Body, 1/4 Inch MFL X 1/8 Inch MPT
17-13010-00	Fitting Access, 1/8 Inch MPT X 1/4 Inch Flare, With Schrader, Brass - Includes:
DD19CA061	...Cap, Seal, Flare, 1/4 Inch
14-00351-00	...Core, Access Valve (Nickel Plated)

8.8 THERMAL EXPANSION VALVE, BLOCK

R-12
VALVE

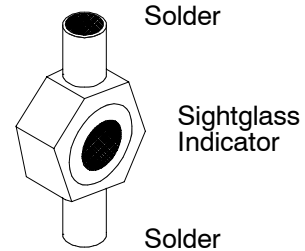
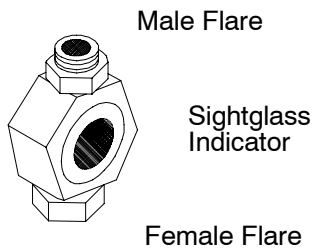


R-134A
VALVE
14-00301



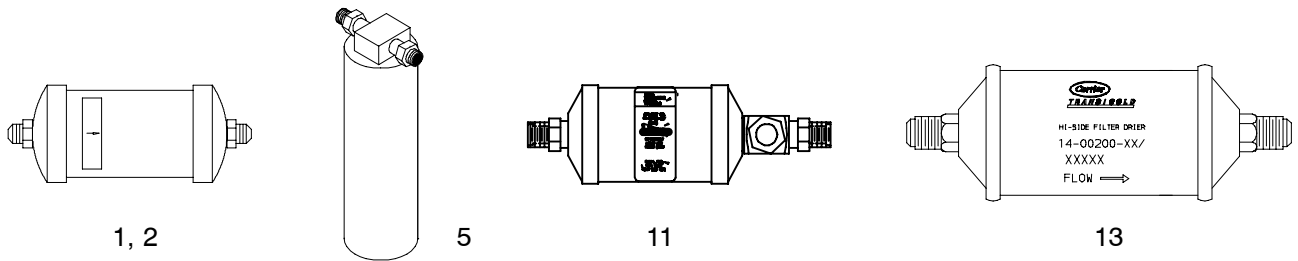
AC101-100	Thermal Expansion Valve, Block, R12
AC040-076	Thermal Expansion Valve, Block, R12, (EM-21)
AC101-103	Thermal Expansion Valve, Block, R22
14-00301-03	Thermal Expansion Valve, Block, R134a (GEN III, GEN 4 & GEN 5)
AC040-103	Thermal Expansion Valve, Block, R134a, (EM-21)
AC101-101	Thermal Expansion Valve, 3/8 Inch Flare X 1/2 Inch Flare
AC101-102	Thermal Expansion Valve, 3/8 Inch O-Ring X 1/2 Inch O-Ring
AC101-108	Thermal Expansion Valve, 4 Ton, Externally Equalized, R12 / R134a

8.9 SIGHTGLASSES



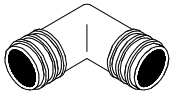
Part Number	Description
AC101-200	Sightglass Indicator. 1/2 Inch Male Flare X 1/2 Inch Female Flare (GEN 4)
AMI1SS3	Sightglass Indicator. 3/8 Inch Solder X 3/8 Inch Solder (AC101-201)
KM43AG301	Sightglass Indicator. 5/8 Inch Solder X 5/8 Inch Solder
AC101-202	Sightglass, Bullseye, 7/8-14 Thread (GEN III)
AC101-203	Sightglass, Moisture Indicator, 7/8-14 Thread (GEN 4 - GEN-V)

8.10 DRIERS

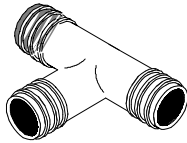


Item	Part Number	Description
1	AC101-303	Filter Drier, 16 Cubic Inch, 1/2 Inch Flare
2	AC101-312	Filter Drier, 16 Cubic Inch, 1/2 Inch Flare-O, (GEN 4)
3	N/A	Receiver Drier, 3/8 Inch Flare (AC101-301)
4	AC101-302	Receiver Drier, 3/8 Inch O-Ring, With Low Pressure Switch
5	AC101-311	Receiver Drier, 3/8 Inch Male O-Ring X 3/8 Inch Male O-Ring
6	AC101-304	Receiver Drier, Push-On, #8 Hose
7	AC101-305	Receiver Drier, Push-On, #6 Hose
8	AC101-307	Receiver Tank, (RF Series)
9	AC101-310	Receiver, Vertical, (CM-8)
10	AC101-306	Filter, Suction, 5/8 Inch Flare
11	14-00288-00	Filter Drier/Sightglass, 16 Cubic Inch, 1/2 Inch MO-R, (With Moisture Indicator)
12	14-00288-01	Filter Drier/Sightglass, 16 Cubic Inch, 1/2 Inch MO-R, (Without Moisture Indicator)
13	14-00200-00	Filter Drier, 41 Cubic Inch, 5/8 Inch Flare
14	14-00320-00	Filter Drier, 41 Cubic Inch, 3/4 ORS (IN) X 5/8 ORS (OUT)

8.11 PLASTIC FITTINGS



PLASTIC DRAIN ELBOW



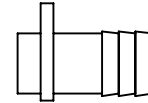
PLASTIC DRAIN TEE



NYLON SPLICER



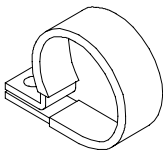
MPT TO BARB



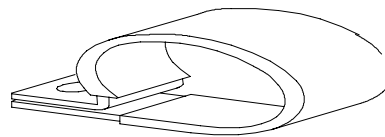
Drain Pan Nipple

AC301-900	Fitting, Plastic, Drain Elbow, 90°, 1/2 Inch OD
AC301-901	Fitting, Plastic, Drain Tee, 1/2 Inch OD
AC301-902	Fitting, Plastic, Drain Tube, Straight, 1/2 Inch OD, Anti-Slip
AC301-903	Fitting, Plastic, Heater, "Y", 5/8 OD or 3/4 Inch OD
AC301-904	Fitting, Plastic, Drain Tube, 90°, 1/2 inch OD, (EM-14)
AC301-905	Elbow, Nylon, 90°, 1/4 Inch MPT, X 1/2 Inch Hose
AC301-907	Fitting, Plastic, Drain Tee, 5/8 Inch OD, (GEN III & GEN 4)
AC301-908	Fitting, Nylon, Drain Elbow, 90°, 5/8 Inch OD, (GEN III & GEN 4)
AC301-908-5	Fitting, Nylon, Drain Elbow, 90°, 1 Inch OD, (Blue Bird)
40-00541-00	Fitting, Hose, Plastic, 1 Inch MPT X 1 Inch "Barb", (Black)
40-00541-01	Fitting, Hose, Plastic, 3/4 Inch MPT X 1 Inch "Barb", (Black)
40-00541-02	Fitting, Hose, Plastic, 3/4 Inch MPT X 1 Inch "Barb", (White)
58-62142-02	Fitting, Splicer, Nylon, 1/2 Inch OD
58-62142-03	Fitting, Splicer, Nylon, 5/8 Inch OD
58-01380-00	Fitting, Hose, Nylon "Y", 5/8-3/4 Inch, Barbed (Black)
58-62159-00	Tube, Plastic, Drain Pans, GEN 5

8.12 INSULATED CLAMPS



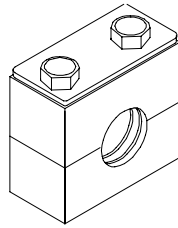
INSULATED CLAMP



INSULATED CLAMP - DOUBLE HOSE

Part Number	Description
34-00373-01	Clamp, Insulated, 1/4 Inch ID, Black
34-00373-03	Clamp, Insulated, 3/8 Inch ID, Black
34-00373-05	Clamp, Insulated, 1/2 Inch ID, Adel
AC701-201	Clamp, Insulated, 5/8 Inch ID, Adel
AC701-221	Clamp, Insulated, 3/4 Inch ID, Adel
44-00337-08	Clamp, Insulated, 7/8 Inch ID, Adel
AC701-223	Clamp, Insulated, 1 Inch ID, Adel
AC701-224	Clamp, Insulated, 1-1/8 Inch ID, Adel
AC701-245	Clamp, Insulated, 1-1/4 Inch ID, Black
AC701-230	Clamp, Insulated, 1-1/2 Inch ID, Black
AC701-263	Clamp, Insulated, Heavy Duty, 1-1/2 Inch ID, Black
AC701-246	Clamp, Insulated, 1-3/8 Inch ID, Black
AC701-227	Clamp, Insulated, 1-3/4 Inch ID, Black
34-00373-27	Clamp, Insulated, 1-7/8 Inch ID, Black
AC701-233	Clamp, Insulated, Double, 5/8 Inch OD, Tube
AC701-226	Clamp, Insulated, Double Hose, Black

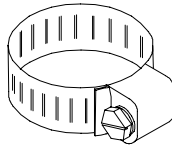
8.13 STAUFF CLAMPS



STAUFF CLAMP

AC701-248	Clamp, Stauff, 5/8 Inch OD Tube
AC701-242	Clamp, Stauff, 3/4 Inch OD Tube
AC701-244	Clamp, Stauff, 7/8 Inch OD Tube
AC701-241	Clamp, Stauff, 1-1/8 Inch OD Tube
AC701-240	Clamp, Stauff, 1-3/8 Inch OD Tube
AC701-254	Clamp, Stauff, 1-3/8 Inch OD Tube, High Temperature

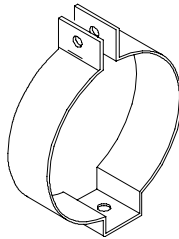
8.14 HOSE CLAMPS



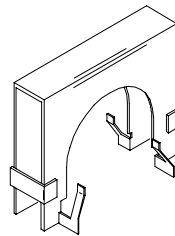
HOSE CLAMP

Part Number	Description
AC701-205	Clamp, Drain Hose
AC701-207	Clamp, #16 Hose
AC701-211	Clamp, Hose, Mini, 7/32 Inch to 5/8 Inch Diameter
AC701-234	Clamp, Hose, 1/2 Inch to 1-1/4 Inch Diameter
AC701-229	Clamp, Hose, 1-1/8 Inch to 3 Inch Diameter
AC701-210	Clamp, Hose, 1-5/16 Inch to 2-1/4 Inch Diameter
AC701-247	Clamp, Hose
AC701-269	Clamp, Hose, 2-1/16 Inch to 3 Inch, Stainless Steel;, (GEN III / GEN 4)

8.15 MISCELLANEOUS CLAMPS



Filter Drier Mounting Clamp



Spring-Lock Clip

AC701-251	Clip, Spring Lock, #8
AC701-252	Clip, Spring Lock, #10
AC701-253	Clip, Spring Lock, #12
AC701-235	Clamp, Lock, #6 to #12 Hose
AC701-243	Clamp, Conduit, 3 Inch, Stainless Steel
AC701-208	Clamp, Filter Drier Mounting, (GEN I & II)
AC701-212	Clamp, Muffler, 1-1/2 Inch
AC701-231	Clamp, One Hole Strap, 2 Inch ID, (CM-9)
AC701-274	Clamp, Slotted, 3/8 Inch Conduit, (GEN III & GEN 4)
AC701-206	Clamp, Thermostat Coil
AC701-237	Connector, Romex, 1/2 Inch

PART NUMBER INDEX

PART NO.	PAGE NO.	PART NO.	PAGE NO.	PART NO.	PAGE NO.
02-62001-01	169, 174	10-00286-14	224, 239, 240,	106-1922-1	191
04-50023-00	78, 79, 230		241, 242, 243,	108-1921SV	215
08-50017-00	88		244, 245, 247,	12-00299-01	79
08-50018-00	145		249, 261, 262,	12-00299-02	78
08-62005-00	128		264, 267, 268,	12-00299-09	78
08-62006-00	78, 79		270, 272, 273,	12-00299-11	128
08-62029-00	150		274, 276, 278,	12-00299-18	78
08-62029-01	150		280	12-00334-02	78
08-62031-00	13, 17, 91	10-00300-00	128	12-00334-03	78
08-62031-01	27, 31	10-00300-02	257, 259	12-00512-00	236
08-62031-02	53, 57	10-00301-00	239	12-00512-02	236
08-62033-00	85	10-00311-00	255, 257,	12-00512-08	236
08-62035-00	121		259	12-00533-00	12, 26, 57
08-62035-01	124	10-00312-00	255, 257,	12-00547-00	13, 17, 27, 30,
08-62036-00	139, 143		259		31, 45, 53, 57,
08-62037-00	45	10-00317-01	144		91, 95, 99, 101,
08-62038-00	155	10-00328-00	239, 241, 242,		109, 115, 117,
08-62038-01	155		243, 244, 245,		227
08-62045-00	115		252, 262, 264,	12-00567-00	236, 248, 252,
08-62045-01	108		270, 272, 273,		262, 267, 268,
08-62046-00	158		274, 276, 279		270
08-62046-01	158	10-00436-01	255	12-00570-00	236
08-62056-00	95, 99, 101	10-00444-00	248, 263, 267	12-01132-00	128
08-62057-00	170	10-50067-00	88	12-50139-00	88
08-62057-01	165	10-50068-00	88	12-50140-00	88
08-62059-00	9, 25	10-50069-00	88	14-00024-07	128
08-62060-00	9, 25	10-60-03-026	147	14-00026-04	150, 155, 159
08-62061-00	51	10-60-03-027	147	14-00029-04	143, 155
08-62062-00	51	10-60-03-028	147	14-00029-09	159
08-62063-00	75, 77	10-60-03-029	147	14-00150-14	85
08-62064-00	75, 77	10-60-15-080	147, 149	14-00150-50	85
08-62065-00	67	10-60-22-023	149	14-00200-00	130, 291
08-62066-00	67	10-60-22-033	149	14-00288-00	121, 124, 127,
10-00286-00	224	10-60-22-048	149		133, 136, 165,
10-00286-03	224, 255	10-60-71-003	147		170, 291
10-00286-08	224	10-63-01-010	149	14-00288-01	291
10-00286-09	224, 246, 251,	10-63-01-013	147		
	255, 257, 259	105-6121	215		
10-00286-12	224	106-1922	191		

PART NUMBER INDEX

PART NO.	PAGE NO.	PART NO.	PAGE NO.	PART NO.	PAGE NO.
14-00301-03	4, 5, 7, 9, 13, 17, 23, 24, 25, 27, 31, 37, 40, 43, 45, 47, 49, 51, 53, 57, 65, 67, 72, 73, 75, 77, 88, 91, 95, 99, 101, 108, 115, 117, 290	17-31249-00	216	18-60002-03SV	217
		17-31252-00	215	20-44-1659	180
		17-31253-00	216	21-03-51-025	147, 149
		17-31254-00	215	21-10-01-001	147, 149
		17-31258-00	215	22-00118-02	166, 171
		17-31260-00	216	22-01292-03	169, 174
		17-31261-00	216	22-01334-00	228, 243
		17-31262-00	216	22-01334-01	228
		17-31263-00	216	22-01334-02	228
14-00320-00	150, 155, 159, 291	17-31264-00	216	22-01334-03	228
		17-31265-00	216	22-01334-04	228
14-00351-00	108, 115, 200, 290	17-31266-00	216	22-01334-05	228
		17-31270-00	214	22-01334-06	228
14-01032-01	131, 155, 159	17-31307-00	215	22-01334-07	228, 240, 241, 246, 247, 248, 249, 251, 255, 257, 259, 261, 267, 268, 270, 280
14-01042-08	144	17-40034-00	35		
14-01104-37	79	17-40034-05	21, 61, 67, 77	22-01334-08	228
14-01104-39	78	18-00073-00	217	22-01334-09	228, 243, 244, 265, 275, 277, 279
14-01105-00	137	18-00073-01	217		
14-50047-00	78	18-00074-35	215	22-01334-10	228
14-50097-00	88	18-00074-36	215	22-01334-11	228, 253, 263, 272
14-50098-00	88	18-00093-00	218		
15-07-12-001	149	18-00093-01	218	22-01334-12	228
15-07-12-002	147	18-00093-02	218	22-01334-13	228, 273
17-10812-00	144	18-00093-03	218	22-01344-11	245
17-13010-00	290	18-00093-04	218	22-01449-00	257, 259
17-13108-00	215	18-00093-05	218	22-01451-00	169, 174, 236
17-21003-00	217	18-00093-06	218	22-01566-00	161
17-31200-01	217	18-00093-07	218	22-01584-00	78
17-31200-02	217	18-00093-08	218	22-01585-00	161
17-31200-03	217	18-00093-09	218	22-01585-02	145
17-31202-00	217	18-00093-10	218	22-01585-04	161
17-31203-00	217	18-00093-11	218	22-01800-00	223, 275, 277, 279
17-31205-00	147, 149, 217	18-00093-12	218		
17-31207-00	217	18-00093-14	218	22-01827-01	255
17-31244-00	216	18-00093-15	218	22-01828-00	255
17-31245-00	216	18-10123-02	215		
17-31246-00	216	18-10123-03	215		
17-31247-00	216	18-10123-04	215		
17-31248-00	216	18-10123-05	215		

PART NUMBER INDEX

PART NO.	PAGE NO.	PART NO.	PAGE NO.	PART NO.	PAGE NO.
22-02336-00	223	22-50078-73	275, 277, 279	22-62119-02	223
22-02336-01	223	22-50078-87	275, 277, 279	22-62127-00	69
22-02336-04	223, 267, 268, 270	22-50091-00	78, 79, 230	22-62131-00	235
22-02336-06	128, 223, 255, 257, 259	22-50098-71	275, 277, 279	22-62141-00	26, 30
22-02336-15	223	22-50098-91A	255	22-62141-01	46, 53, 57
22-02336-16	255, 257, 259	22-50245-00	240	22-62142-00	85
22-02336-17	223, 241, 242, 243, 245, 252, 257, 259, 262, 264, 270, 272, 273	22-50341-00	88	22-62143-00	91
22-02336-23	161, 168, 173	22-50342-00	88	22-62148-00	139
22-02336-24	161, 168, 173	22-50343-00	145	22-62153-00	161
22-02336-31	223, 275, 277, 279	22-60168-03	236	22-62163-00	139, 143
22-02338-02	168, 173, 267, 268, 270	22-60168-04	236	22-62168-00	12, 16, 26, 30, 45, 53, 57
22-02338-03	161, 168, 173	22-60551-06	236	22-62168-01	12, 16
22-02392-03	161	22-60551-07	236	22-62169-00	13, 17, 27, 31, 46, 53, 57, 227
22-02393-00	161	22-62002-00	95, 99, 109, 117	22-62175-00	115
22-02393-01	161	22-62007-00	227	22-62204-00	45
22-02394-00	161	22-62011-00	43, 51	22-62210-00	274, 276, 279
22-02394-01	145, 161	22-62022-00	69	22-62210-01	241, 242, 243, 244, 245, 252, 262, 264, 270, 272, 273
22-02567-00	85	22-62036-00	257, 259	22-62212-00	225
22-05-15-100	147, 149	22-62037-00	257, 259	22-62212-01	225
22-05-15-305	147, 149	22-62038-00	257, 259	22-62212-02	225
22-50030-00	78	22-62039-01	257, 259	22-62213-00	226
22-50078-18	241, 242, 243, 244, 245, 252, 262, 264, 270, 272, 273, 274, 276, 279	22-62039-02	257, 259	22-62213-01	226
22-50078-22	128, 223	22-62040-00	257, 259	22-62214-30	226
22-50078-23	128, 223	22-62052-00	121, 173	22-62214-58	226
22-50078-45	275, 277, 279	22-62053-00	124, 168	22-62216-00	257, 259
22-50078-58H	145	22-62054-00	229	22-62217-00	226
22-50078-72	277	22-62099-00	12, 16, 26, 30, 45, 53, 57	22-62238-00	241, 242, 243, 244, 245, 247, 264, 268, 271, 273, 274, 276, 278, 280
		22-62100-00	12, 16	22-62238-01	244, 245, 247, 253, 262, 264, 268, 271, 273, 274, 276, 278, 280
		22-62101-00	229		
		22-62102-00	229		
		22-62103-00	229		
		22-62109-00	95, 97, 101		
		22-62110-00	223, 241, 242, 243, 245, 252, 262, 264, 270, 272, 273		
		22-62119-00	223		
		22-62119-01	223		

PART NUMBER INDEX

PART NO.	PAGE NO.	PART NO.	PAGE NO.	PART NO.	PAGE NO.
22-62238-02	240, 241, 242, 243, 244, 245, 246, 248, 249, 251, 252, 253, 261, 263, 264, 267, 269, 271, 272, 273, 274, 276, 278	34-00361-11	69, 125, 130, 255	34-00662-11	91, 95, 99, 101, 117, 139, 143, 253, 255, 257, 259, 263, 269, 271
22-62238-03	240, 241, 242, 243, 244, 245, 246, 249, 251, 261, 265, 267, 269, 270, 272, 273, 274, 277, 278, 280	34-00361-12	219	34-00662-12	111, 117
22-62240-00	99, 101	34-00361-13	9, 15, 20, 25, 29, 34, 41, 46, 55, 60, 67, 77, 287	34-00663-08	255, 257, 259
22-62243-00	160, 161	34-00361-17	184, 185, 186	34-00663-11	117, 125, 130, 253, 255, 257, 259, 263, 269, 271
22-62243-01	160, 161	34-00363-13	21, 35, 61, 67, 77	34-00663-12	111, 117
24-02-11-153	147	34-00366-13	67, 77	34-00666-11	117
24-02-11-201	149	34-00368-11	166, 169, 171, 174	34-00666-12	130
24-04-02-005	147, 149	34-00368-12	130, 155, 159	34-00667-61	91, 95, 99, 101
24-06-01-026	147, 149	34-00368-13	21, 35, 61, 67, 77	34-00677-10	130
28-02-05-013	147, 149, 150	34-00373-01	292	34-00733-00	91, 95, 99, 101, 108, 115, 117, 143
28-02-10-015	147, 150	34-00373-03	292	34-00733-05	85, 101
28-23-01-024	147, 149	34-00373-05	292	34-00792-06	111
28-02-10-015-01	149	34-00373-07	155, 159	34-00792-08	117, 131
32-10-10-500	147, 149	34-00373-27	292	34-00792-12	130
32-13-05-001	147, 149	34-00482-05	12, 17, 27, 31, 45, 53, 57	34-00917-08	91, 95, 96, 99, 101, 103, 111, 113, 117
32-15-11-005	147, 149	34-00588-11	169, 174	34-00917-12	97, 99, 102, 104, 105, 107, 113
32-23-26-236	147, 149	34-00588-12	155, 159, 219	34-00917-20	113
32-24-01-010	147, 149	34-00588-13	9, 15, 20, 25, 29, 34, 41, 55, 60, 287	34-00928-09	156, 159, 161, 162, 163
32-24-01-013	147, 149, 153	34-00615-08	219	34-00928-12	85
32-24-01-016	147, 149, 153	34-00655-04	255, 257, 259	34-00928-14	170
32-24-01-034	147, 149	34-00655-06	253, 263, 269, 271	34-00944-06	155, 159, 161, 162, 163
32-24-01-039	147, 149	34-00655-10	255	34-00945-06	155, 159, 161, 162, 163
34-00300-06	166, 171	34-00655-12	91, 95, 99, 101, 117	34-00945-10	204, 205
34-00300-08	169, 174	34-00655-22	130	34-00946-06	155, 159, 161, 162, 163
34-00303-04	155, 159	34-00655-24	131		
34-00309-08	125	34-00662-08	255, 257, 259		

PART NUMBER INDEX

PART NO.	PAGE NO.	PART NO.	PAGE NO.	PART NO.	PAGE NO.
34-00967-60	156, 159	34-50058-00	140	34-62047-01	172
34-01099-02	96, 102, 103	34-50059-00	109	34-62050-04,	95, 99, 117, 143
34-01146-04	156, 159	34-50060-00	77	34-62051-05	95, 99, 101, 108,
34-01151-04	155, 159	34-50068-00	287		115
34-01197-16	155, 159	34-60002-06	156	34-62055-00	117
34-01266-20	155, 159, 163	34-60019-02	206	34-00829-11	167, 172
34-01279-17	184, 185, 186	34-60019-03	206	38-00558-00	62, 63, 64, 65,
34-01295-18	169, 174	34-60019-04	205, 206		67
34-01310-00	20, 34, 60, 67, 77	34-60019-05	205, 206, 220, 221	38-00564-00	12
34-01310-01	7, 9, 11, 15, 24, 25, 29, 55	34-60095-46	159	38-00564-01	27, 31
34-01310-02	21, 35, 61, 67, 77	34-62011-00	91, 95, 96, 97, 99, 101, 139, 141, 143, 144, 167, 168, 173	38-00564-02	57
34-06051-101	162, 163	34-62015-00	150	38-00564-03	45
34-06051-104	155, 159, 162, 163	34-62016-00	156, 159, 162, 163	38-00564-50	12, 17
34-06088-00	159	34-62017-00	161	38-00564-51	27, 31
34-06088-01	70	34-62019-00	14, 18, 28, 32, 35, 45, 54, 59, 61, 93, 96, 102, 103, 104, 105, 107, 118	38-00564-52	53, 57
34-06121-03	155, 159	34-62020-00	14, 18, 28, 32, 35, 45, 54, 59, 61, 93, 96, 102, 103, 104, 105, 107, 118	38-00564-53	45
34-06121-04	155, 159			38-00564-60	12, 17
34-06132-02	255			38-00564-61	27, 31
34-06169-01	14, 18, 28, 32, 35, 45, 54, 59, 61, 93, 96, 102, 103, 104, 105, 107, 118			38-00564-62	53, 57
34-06212-12	125, 130			38-00564-63	45
34-06212-13	131			38-00564-70	13, 17, 27, 31, 46, 53, 57
34-06224-00	110	34-62021-00	162, 163	38-00564-71	13, 17, 27, 31, 46, 53, 57
34-50040-00	69, 257, 259	34-62021-01	165	38-00566-00	161
34-50041-00	85	34-62022-00	150	38-00567-00	150
34-50042-00	93	34-62023-00	109, 115	38-00573-00	83
34-50043-00	91	34-62036-50	204, 205	38-00573-01	14, 18, 93, 104, 118
34-50044-00	287	34-62036-55	204, 205	38-00573-02	28, 32, 35
34-50045-00	46	34-62045-36	118	38-00573-03	54, 59, 61
34-50046-00	288	34-62046-00	9, 15, 21, 29, 35, 45, 55, 61, 67, 77, 85, 109, 115, 287	38-00573-04	45
34-50049-00	63			38-00573-05	115
34-50057-00	69, 85			38-00573-06	109, 113
				38-00573-07	36, 37, 43
				38-00573-08	96, 102, 103, 105, 107
				38-50032-00	88
				40-00060-01	85
				40-00081-00	290

PART NUMBER INDEX

PART NO.	PAGE NO.	PART NO.	PAGE NO.	PART NO.	PAGE NO.
40-00090-04	85	40-60051-04	198	40-60081-02	200
40-00097-10	130	40-60051-07	198	40-60081-03	200
40-00124-00	108	40-60058-04	200	40-60081-04	200
40-00169-13	144	40-60058-05	200, 205	40-60081-05	200
40-00169-33	131	40-60059-02	200	40-60083-02	198
40-00190-00	290	40-60059-03	200	40-60083-03	198
40-00201-04	143	40-60059-04	200, 205	40-60083-04	198
40-00243-21	204	40-60060-02	197	40-60083-07	198
40-00490-12	144	40-60060-03	197	40-60083-08	198
40-00491-00	89, 128, 159	40-60060-04	197	40-60084-02	198
40-00491-01	78	40-60060-05	197	40-60084-03	198
40-00491-03	70	40-60060-06	197, 205	40-60084-04	198
40-00491-09	70, 89, 129, 130	40-60060-07	197, 205	40-60084-05	198
40-00491-15	78	40-60060-08	197	40-60084-06	198
40-00491-18	144	40-60061-02	197	40-60084-07	198
40-00501-05	130, 150, 155, 159	40-60061-03	197	40-60086-03	201
40-00501-06	137	40-60061-04	197	40-60086-04	201
40-00501-50,	131, 137, 155, 159	40-60061-05	197, 220, 221	40-60086-05	201
40-00503-03	155, 159	40-60061-06	197, 205	40-60137-03	201
40-00503-04	155, 159	40-60061-07	197, 205	40-60137-04	201
40-00520-02	194	40-60061-08	197	40-60137-05	201
40-00520-03	194	40-60078-02	199	40-62008-00	204
40-00529-00	194	40-60078-03	199	40-62008-01	204
40-00541-00	292	40-60078-04	199	40-62008-03	190, 204, 205
40-00541-01	292	40-60078-05	199	40-62008-04	190, 204, 205
40-00541-02	292	40-60078-06	199	40-62008-05	190
40-01124-00	115	40-60078-07	199	40-62012-00	201
40-50029-00	188	40-60079-02	199	40-62012-01	201, 220
40-50031-00	191	40-60079-03	199	40-62012-02	201
40-60042-01	194	40-60079-04	199	40-62013-00	193
40-60050-02	197	40-60079-05	199	40-62013-01	193
40-60050-03	197	40-60079-06	199	40-62013-02	193
40-60050-04	197	40-60079-07	199	40-62016-00	199, 200
40-60050-05	197	40-60080-02	199	40-62017-00	201
40-60050-06	197	40-60080-03	199	40-62017-01	201
40-60050-07	197	40-60080-04	199	40-62018-00	189
40-60051-02	198	40-60080-05	199	40-62018-01	189
40-60051-03	198	40-60080-06	199	40-62019-00	192
		40-60080-07	199	40-62019-01	192
				40-62019-02	192, 221

PART NUMBER INDEX

PART NO.	PAGE NO.	PART NO.	PAGE NO.	PART NO.	PAGE NO.
40-62020-00	201	40-62082-00	190	42-62111-03	101
40-62020-01	201	40-62086-00	202	42-62117-00	12,17
40-62021-00	199	40-62087-00	202	42-62117-01	27, 31, 45
40-62021-01	199	40-62088-00	202	42-62117-02	53, 57
40-62022-00	200, 205	40-62089-00	202	42-62118-00	12, 17, 27, 31, 45, 53, 57
40-62023-00	200, 205	401-210	4	42-62127-00	166, 171
40-62025-00	201	42-00032-01	13, 17, 27, 31, 45, 53, 57, 88, 95, 99, 101, 109, 115, 117	43-50059-00	115
40-62025-01	201			44-00045-06	88
40-62026-00	199			44-00045-20	155, 159
40-62027-00	201	42-00221-18	167	44-00045-30	219
40-62027-01	201	42-00221-19	172	44-00285-66	159
40-62032-01, 85, 143, 144, 155		42-00221-20	167, 172	44-00285-69	155
40-62032-02	85, 131, 143, 176	42-00221-21	167, 172	44-00285-81	155
40-62033-03	190	42-00221-22	165, 170	44-00285-82	130
40-62033-04	190	42-00243-00	89, 129	44-00337-08	292
40-62033-05	190	42-00243-03	89, 129	44-50024-00	120, 121, 123, 124, 139, 168, 173, 230
40-62036-00	121, 124, 139, 143	42-00243-11	155, 159		
		42-00243-15	155, 159	48-62013-00	281
40-62043-00	192	42-00243-21	203	48-62016-00	281
40-62045-00	199	42-01159-00	217	48-62016-01	281
40-62051-00	202	42-01227-00	109	48-62016-02	281
40-62052-00	202	42-01228-00	109	48-62016-03	281
40-62053-00	202	42-01229-00	109	48-62016-04	281
40-62054-00	202	42-01229-01	95, 99, 101	48-62016-05	281
40-62055-00	202, 221	42-01229-02	95, 99, 101	48-62016-06	281
40-62057-03	190	42-01230-00	109	48-62016-07	281
40-62058-00	192	42-01230-01	109	48-62016-08	281
40-62065-00	85	42-62021-00	257, 259	48-62018-00	281
40-62068-00	191	42-62052-00	12,16,26,30, 45, 53, 57	48-62018-01	281
40-62068-01	191			48-62018-02	281
40-62069-01	190	42-62072-00	85	50-50001-00	217
40-62069-02	190	42-62073-00	85	50-50002-00	217
40-62070-00	192	42-62074-00	85	50-50061-00	217
40-62071-00	192	42-62076-00	85	50-50062-00	217
40-62076-00	190	42-62077-00	85	50-50063-00	217
40-62077-00	190	42-62078-00	85	50-50066-00	217
40-62078-00	190	42-62111-01	95, 99, 101	50-50067-00	217
40-62079-00	190	42-62111-02	95, 99	50-50069-00	217

PART NUMBER INDEX

PART NO.	PAGE NO.	PART NO.	PAGE NO.	PART NO.	PAGE NO.
50-50070-00	217	56-00143-75	131, 155	58-01385-01	14, 18, 28, 32,
50-50072-00	217	56-00143-78	143		35, 45, 54, 59,
50-50074-00	215	56-00143-89	155, 159		61
50-50075-00	215	56-00145-24	159	58-01386-00	289
50-50076-00	215	56-00145-87	159	58-04246-00	161
50-60135-00	215	56-62010-00	130	58-50115-00	88
50-60136-00	215	56-62011-00	130	58-50116-00	88
50-62014-00	282	56-62123-00	79	58-50117-00	88
50-62029-00	282	56-62123-01	79	58-50118-00	88
50-62051-00	281	56-62215-00	85	58-50119-00	88
54-00545-00	139, 143, 168, 173, 230	56-62216-00	85	58-50120-00	88
54-00545-01	230	56-62217-00	85	58-50121-00	88
54-00545-02	230	56-62231-00	155	58-50122-00	88
54-00545-03	230	56-62239-00	155, 159	58-60115-02F50	206
54-00583-00	160	56-62240-00	155, 159	58-60115-03F50	206
54-00583-01	160	56-62240-01	155	58-60115-04F50	206
54-00587-00	233	56-62241-00	155, 159	58-60230-00	194
54-00588-00	69, 233	56-62250-00	143	58-60231-00	194
54-00606-00	115, 233	56-62252-00	159	58-60502-01F60	207
54-00621-00	12, 16	56-62253-00	159	58-60502-02F60	207
54-00621-01	26, 30, 45	58-00065-26	109, 115	58-60502-03F60	207
54-00621-02	53, 57	58-00065-48	226	58-60502-04F60	207
54-00621-03	12, 16	58-00065-51	161	58-60502-05F60	207
54-00621-04	26, 30, 45	58-00065-83	109, 115	58-60502-06F60	207
54-00621-05	53, 57	58-00079-02	95, 99, 101, 109, 115, 117, 161	58-60502-07F60	207
54-50070-00	4, 47	58-00661-07	99	58-62016-00	150
54-50079-00	23, 37, 65	58-00716-12	88	58-62017	208
54-50080-00	120, 121, 123, 124, 139, 168, 173, 230	58-01379-00	1, 4, 22, 23, 36, 37, 289	58-62019-00	139, 143, 168, 173
54-50107-00	88	58-01380-00	292	58-62025-08	169
54-50108-00	145	58-01382-00	286	58-62025-09	169
56-00142-24	131	58-01382-01	286	58-62025-10	174
56-00143-24	155, 159	58-01383-00	286	58-62025-11	174
56-00143-25	155, 159	58-01383-01	286	58-62025-12	171
56-00143-36	130	58-01384-00	286	58-62025-13	171
56-00143-47	131	58-01384-01	286	58-62025-14	166, 169
56-00143-73	155	58-01385-00	14, 18, 28, 32, 35, 45, 54, 59, 61	58-62025-15	166, 169
				58-62030-00	284
				58-62040-00	153

PART NUMBER INDEX

PART NO.	PAGE NO.	PART NO.	PAGE NO.	PART NO.	PAGE NO.
58-62040-02	153	58-60230-00	200	68-15461-00	123, 124
58-62042-00	14, 18, 28, 32, 35, 45, 54, 59, 61, 87, 96, 102, 104, 105, 107, 113	58-60231-00	200	68-50086-00	88
58-62062-00	284	62-03882-01	152	68-50087-00	88
58-62062-01	284	62-62008-00,	139, 143	68-50088-00	145
58-62062-02	284	62-62029-00	139, 143, 172	68-50089-00	145
58-62062-10	284	62-62030-00	255	68-62036-00	78
58-62064-00F25	12, 16, 26, 27, 30, 31, 53, 57	62-62030-01	255	68-62037-00	78
58-62121-00	190	62-62032-00	87	68-62040-00	79
58-62121-01	190	62-62039-00	85, 109, 115, 117, 131, 152	68-62049-00	79
58-62127-00	172	62-62042-14	139, 143, 165, 170	68-62070-00	78
58-62127-01	167	62-62042-15	139, 143, 165, 170	68-62088-00	257, 259
58-62142-02	292	62-62045-00	152, 167	68-62093-00	93
58-62142-03	292	63-63240-00	108	68-62139-00	204, 205
58-62150-00	172	64-01213-00	169, 174	68-62237-00	69
58-62152-00	229	65-01035-01	131	68-62287-00	133
58-62153-00	275, 277, 279	65-62002-00	150	68-62288-00	136
58-62155-00	226	65-62003-00	155	68-62292-00	255
58-62156-00	107	65-62003-01	155, 159	68-62293-00	255
58-62156-01	107	65-62004-00	219	68-62294-00	255
58-62156-02	104	66U1-1214-5	78, 79	68-62297-00	255
58-62156-03	104	66U1-1224-24	70	68-62411-00	79
58-62156-04	105	66U1-1224-7	70	68-62417-00	257, 259
58-62156-05	105	66U1-3882	85, 168, 173	68-62492-02	143
58-62159-00	12, 16, 26, 30, 45, 53, 57, 292	66U1-5371	144, 255, 257, 259	68-62497-00	79
58-62160-00	113	66U1-5371-12	255, 257, 259	68-62498-00	79
58-62160-01	113	67-62007-00	169	68-62501-00	124
58-62160-02	113	67-62007-01	169	68-62569-00	257, 259
58-62160-03	113	67-62007-02	174	68-62574-00	73, 75
58-62164-00	167	67-62007-03	174	68-62576-00	25
58-62164-01	167	67-62007-04	166, 171	68-62576-01	9, 25
58-62164-02	167	67-62007-05	166, 171	68-62577-00	43
58-62172-00	166, 171	68-07962-00	109	68-62577-01	43
		68-07963-00	109	68-62578-00	51
		68-07964-00	115	68-62578-01	51
		68-07965-00	115	68-62579-01	73, 75
				68-62580-00	39
				68-62580-01	39
				68-62660-00	15
				68-62662-00	15, 20
				68-62662-01	15, 20

PART NUMBER INDEX

PART NO.	PAGE NO.	PART NO.	PAGE NO.	PART NO.	PAGE NO.
68-62710-00	53, 57	68-62905-00	60	68-63154-00	114
68-62718-00	155	68-62908-00	247, 263	68-63156-00	114
68-62722-00	16	68-62909-00	34	68-63157-00	85
68-62725-00	12, 16, 26, 30, 45	68-62912-00	29, 34	68-63158-00	155
68-62726-00	53, 57	68-62912-01	29, 34	68-63166-00	163
68-62734-00	21	68-62913-00	55, 60	68-63167-00	163
68-62734-01	21	68-62913-01	55, 60	68-63210-00	85
68-62735-00	93, 118	68-62914-00	60	68-63214-00	162, 163
68-62735-00	14, 18	68-62914-01	60	68-63217-00	91
68-62736-00	14, 18, 93, 118	68-62915-00	34	68-63218-00	162, 163
68-62758-00	53, 57	68-62915-01	34	68-63241-00	108
68-62765-00	162, 163	68-62923-00	248	68-63242-00	108, 111
68-62780-00	54, 59	68-62946-00	118	68-63259-00	162, 163
68-62782-00	59, 61	68-62947-00	117	68-63262-00	269, 271
68-62782-00	54	68-62948-00	117	68-63265-00	140
68-62783-00	54, 59, 61	68-62951-00	117	68-63268-00	117
68-62828-00	244, 264	68-62952-00	117	68-63275-01	14, 18
68-62850-00	245	68-62953-00	117	68-63275-02	28, 32
68-62852-00	26, 27, 30, 31	68-62954-00	117	68-63275-03	45
68-62860-00	244, 245, 273, 274, 276, 278	68-62968-00	267	68-63275-07	54, 59
68-62860-01	264	68-62969-00	253, 263	68-63276-01	14, 18
68-62868-00	28, 32, 35	68-62970-00	139, 143	68-63276-02	28, 32
68-62869-00	28, 32, 35	68-62980-00	45	68-63276-03	45
68-62870-00	55	68-62981-00	45	68-63276-07	54, 59
68-62880-00	29	68-62982-00	45	68-63277-01	14, 18
68-62882-00	85	68-62999-00	45	68-63277-02	28, 32, 45
68-62883-00	85	68-63000-00	45	68-63277-07	54, 59
68-62884-00	85	68-63000-01	45	68-63299-00	159
68-62885-00	85	68-63025-00	91	68-63304-00	272
68-62886-00	85	68-63048-00	117	68-63308-00	273
68-62892-00	91	68-63076-00	162, 163	68-63393-00	102
68-62893-00	91	68-63079-00	155, 159	68-63394-00	103
68-62896-00	91	68-63084-00	155, 159	68-63410-00	95, 99, 101
68-62897-00	91	68-63084-01	155, 159	68-63411-00	95, 99
68-62898-00	91	68-63104-00	144	68-63412-00	95, 99, 101
68-62899-00	91	68-63107-00	143	68-63413-00	95, 99, 101
68-62904-00	85	68-63113-00	162, 163	68-63414-00	95, 99, 101
		68-63129-00	272	68-63415-01	95, 99, 101
		68-63153-00	114	68-63416-00	95, 99
				68-63417-00	95, 99

PART NUMBER INDEX

PART NO.	PAGE NO.	PART NO.	PAGE NO.	PART NO.	PAGE NO.
68-63436-00	95, 99, 101	68-62711-00	12, 16	77-62171-00	172
68-63437-00	96, 102, 103	68-62711-01	12	77-62171-01	167
68-63438-00	96, 103	68-62711-01	16	77-62171-02	172
68-63438-01	102, 104, 105, 107	68-63694-00	162, 163	77-62171-03	167
68-63440-00	96	68-63699-00	162, 163	77-62171-04	167
68-63441-00	96	68RM35-1098P	255, 257, 259	77-62171-05	172
68-63473-00	274, 276, 278	68RM35-1122	131	77-62171-06	167
68-63486-00	165, 170	68RM55-1031	255, 257, 259	77-62725-02	88
68-63506-00	170	68RT10-1462	130	77-62725-03	88
68-63506-01	165	73-62003-00	153	77-62725-04	88
68-63507-00	165, 170	75-47-05-115	149	77-62161-02	95, 96, 97
68-63507-01	165, 170	75-47-05-117	147, 149	79-02358-00	13, 17
68-63508-00	170	75-47-05-403	147	79-02358-01	27, 31
68-63508-01	165	76-50128-00	14, 18	79-02358-02	53, 57
68-63509-00	165, 170	76-50129-00	28, 32	79-62005-00	67
68-63509-01	165	76-50130-00	45	79-62005-01	69
68-63510-00	165, 170	76-50131-00	54, 59	79-62005-02	69
68-63529-00	110	76-62019-00	4, 7, 9, 23, 24, 25, 37, 40, 47, 49, 65, 67, 227	79-62019-00	79
68-63529-01	110			79-62027-00	257, 259
68-63540-00	225	76-62028-00	133	79-62035-01	14
68-63547-00	225	76-62029-00	136	79-62035-02	14
68-63559-00	226	76-62103-00	9, 15, 29, 55, 287	79-62036-01	18, 21
68-63566-00	141			79-62036-02	18, 21
68-63577-00	97	76-62103-01	15, 29, 55, 287	79-62044-01	28
68-63588-00	219	76-62103-04	9, 15, 29, 55, 287	79-62044-02	28
68-63602-00	176			79-62045-01	32, 35
68-63605-00	165, 170	76-62139-00	236	79-62045-02	32, 35
68-63616-00	113	76-62257-00	13, 17, 27, 31, 46, 53, 57	79-62046-01	54
68-63617-00	111			79-62046-02	54
68-63625-00	280	77-62080-11	117	79-62047-01	59, 61
68-63644-00	225	77-62135-00	234	79-62047-02	59, 61
68-63644-01	225	77-62161-01	101	79-62056-00	93
68-63645-00	99	77-62161-02	99	79-62058-00	91
68-63646-00	99	77-62162-00	95, 96, 97	79-62061-00	117
68-63648-00	153	77-62162-03	99	79-62063-00	143
68-63656-00	166, 171	77-62166-00	114	79-62063-01	139
68-63659-00	88	77-62167-00	108	79-62063-02	139
68-63660-00	88	77-62167-01	110, 111	79-62064-00	118
				79-62065-01	45
				79-62065-02	45

PART NUMBER INDEX

PART NO.	PAGE NO.	PART NO.	PAGE NO.	PART NO.	PAGE NO.
79-62070-00	73, 75, 77	81-62105-00	139	91-62025-00	246
79-62070-01	73, 75, 77	81-62122-00	143	91-62027-00	247
79-62071-00	9	81-62128-00	144	91-62028-00	248
79-62071-01	9	81-62129-00	144	91-62030-00	249
79-62072-00	24, 25	81-62138-00	169, 174, 176	91-62031-00	251
79-62072-01	24, 25	81-62138-01	169, 174, 176	91-62032-00	252
79-62073-00	40, 43	81-62145-00	166, 171	91-62035-00	255
79-62073-01	43	86-62016-00	79	91-62040-00	261
79-62074-00	51	86-62024-00	130	91-62041-00	262
79-62074-01	51	86-62150-00	176	91-62046-00	264
79-62075-00	10	86-62150-01	176	91-62047-00	267
79-62075-01	10	86-62216-01	147, 149, 161	91-62048-00	268
79-62076-00	50	86-62239-00	87	91-62049-00	270
79-62076-01	50	86-62240-00	87	91-62051-00	272
79-62079-00	12, 17	86-62241-00	85, 87	91-62052-00	273
79-62079-01	27, 31	86-62242-00	87	91-62056-00	274
79-62079-02	53, 57	86-62243-00	91	91-62057-00	276
79-62079-03	45	86-62246-00	61	91-62058-00	278
79-62081-00	114	86-62248-00	34	91-62070-00	280
79-62083-00	108	86-62262-00	117	920088	217
79-62088-00	102	86-62265-00	139, 143	920107	217
79-62088-01	103	86-62300-00	162, 163	920108	217
79-62094-00	12, 16	86-62320-00	162, 163	920183	217
79-62094-01	26, 30	86-62325-00	114	920490	217
79-62094-02	53, 57	86-62343-00	108	98-50168-00	14, 18
79-62095-00	45	86-62437-00	97	98-50618-00	28, 32, 54, 59
79-62096-00	104	86-62449-00	111	98-62520	77
79-62096-01	104	86-62460-00	101	98-62677-00	226
79-62096-02	105	86-62469-00	156, 159		
79-62096-03	105	86-62475-00	145		
79-62097-00	107	91-62011-00	259	A	
79-62097-01	107	91-62011-01	257	AA06-BS337	186
79-62101-00	156, 159	91-62015-00	240	AA06BS337	184, 185
81-02627-00	45	91-62016-00	235	AC010-006	234
81-04051-00	85	91-62017-00	241	AC010-007-1	285
81-62003-00	130	91-62018-00	242	AC010-007-2	285
81-62003-01	130	91-62019-00	243	AC010-008	285
81-62019-00	65, 67	91-62022-00	244	AC010-072	36
81-62062-00	128	91-62023-00	245	AC010-112	119
				AC010-113	122

PART NUMBER INDEX

PART NO.	PAGE NO.	PART NO.	PAGE NO.	PART NO.	PAGE NO.
AC010-114	127	AC011-031	285	AC020-072	36
AC010-198	63	AC011-032	285	AC020-075	2
AC010-204	234, 235	AC011-032-1	285	AC020-079	2
AC010-218	238, 240, 246, 247, 249, 251	AC011-032-2	285	AC020-089	2
AC010-223	238	AC011-043	63	AC020-105	71
AC010-225	238	AC011-044	63	AC020-118	71
AC010-227	238	AC011-049	285	AC020-120	62, 64
AC010-229	238	AC011-049-2	285	AC020-121	71
AC010-236	238	AC011-077	285	AC020-126	37, 47, 62, 64
AC010-260	238	AC011-077-1	285	AC020-129	71
AC010-262	238	AC011-077-2	285	AC020-131	36
AC010-292	238	AC011-078	39	AC020-145	1
AC010-296	238	AC011-079	39	AC020-146	22
AC010-298	238	AC011-080	39	AC020-171P	3, 6, 48, 63
AC010-312	238	AC011-081	39	AC020-172	3, 6, 63
AC010-332	238	AC011-081-1	39	AC020-174	3, 6, 10, 21, 63, 67
AC010-378	238	AC011-081-2	39	AC020-176	3
AC010-479	238	AC011-082	39	AC020-177	3, 63
AC010-560	238	AC011-082-1	39	AC020-179P	3, 10, 20, 34, 50, 60, 77
AC010-561	238	AC011-082-2	39	AC020-187	3
AC010-562	238	AC011-083	238	AC020-199	63
AC010-563	238	AC011-030	285	AC020-215	1, 22
AC010-564	238	AC011-049	285	AC020-253	71, 72
AC010-565	238	AC020-003	1, 22	AC021-003	4
AC010-566	238	AC020-005-1	1, 4, 22, 23, 47, 71, 72	AC021-004	23
AC010-567	238	AC020-009	7, 9, 11, 15, 24, 25, 29, 49, 51, 54, 55, 59, 73, 75, 287	AC021-007	4
AC010-568	238			AC021-008	23
AC010-569	238			AC021-012	37
AC010-570	238			AC021-020	6
AC010-007	285	AC020-012	1, 22	AC021-036	47, 48
AC011-001	288	AC020-013	1, 22, 36, 63	AC021-042	67
AC011-001-2	288	AC020-028	40, 41, 43, 45	AC021-048	36
AC011-006	288	AC020-040	1, 2, 22	AC021-059	72
AC011-006-2	288	AC020-057	1	AC021-060	72
AC011-018	39, 288	AC020-058	22	AC021-076	72
AC011-026	2, 5, 38	AC020-068	36	AC021-109	4, 23
AC011-030-1	285	AC020-069	36, 37, 39	AC021-113	1, 2, 4, 22, 23, 62, 64
AC011-030-2	285	AC020-071	36		

PART NUMBER INDEX

PART NO.	PAGE NO.	PART NO.	PAGE NO.	PART NO.	PAGE NO.
AC021-114	4, 5, 23	AC021-218	72	AC021-601	4, 5, 23
AC021-125	36, 37	AC021-220	72	AC021-603	72
AC021-126	37	AC021-223	10, 21, 35, 50,	AC021-604	47, 49
AC021-140	37		61, 67, 77	AC021-609	37
AC021-142	37, 47, 65	AC021-226	77	AC021-615	65
AC021-146	5	AC021-229	38	AC022-251	7, 9, 24, 25
AC021-148	5	AC021-230	38	AC022-252	40, 43
AC021-149	65	AC021-239	38	AC022-253	51
AC021-150	47	AC021-240	38	AC022-253P	49
AC021-152	5, 11	AC021-244	37	AC022-254	73, 75
AC021-154-1	6	AC021-256	23	AC022-282	7, 24
AC021-155	238, 241, 242,	AC021-262P	48	AC022-282-1	7, 24
	261	AC021-270	243	AC022-282-2	7, 24
AC021-156	238, 240, 241,	AC021-277	48	AC022-283	40
	242, 243, 246,	AC021-278	48, 50	AC022-283-1	40
	248, 249, 251,	AC021-280	48	AC022-283-2	40
	252, 261, 267,	AC021-283	89	AC022-284	49
	268, 270	AC021-298	89	AC022-284-1	49
AC021-157P	6	AC021-299	89	AC022-284-2	49
AC021-158	65	AC021-300	89	AC022-286-1	10
AC021-171	47	AC021-301	89	AC022-286-2	10
AC021-175	47, 49	AC021-302	89	AC022-289	9, 10, 14, 18, 28,
AC021-176	47	AC021-306	89		32, 35, 40, 43,
AC021-180	4	AC021-307	47, 65		45, 49, 51, 54,
AC021-181	37	AC021-311	89		59, 61, 93, 96,
AC021-182	69	AC021-318	70		102, 103, 104,
AC021-187	67, 69	AC021-321	47		105, 107, 109,
AC021-188	67	AC021-323	37		113, 115, 118,
AC021-189	67	AC021-326	37		140, 141, 167,
AC021-190	67	AC021-344	78		172
AC021-190-1	67	AC021-348P	78	AC022-290P	10
AC021-190-2	67	AC021-356	70, 78, 79	AC022-291	73
AC021-191	65	AC021-357	67	AC022-292	10, 20
AC021-195	65, 67	AC021-358	67	AC022-293-1	50
AC021-203	72	AC021-360	15, 29, 55, 287	AC022-293-2	50
AC021-207	72	AC021-365	67	AC022-294	77
AC021-208	72	AC021-366	67	AC022-294-1	77
AC021-209	38	AC021-394	70	AC022-294-2	77
AC021-210	38	AC021-396	70, 78, 79	AC022-295P	50
				AC022-296P	77

PART NUMBER INDEX

PART NO.	PAGE NO.	PART NO.	PAGE NO.	PART NO.	PAGE NO.
AC022-297	50	AC022-454	40, 43	AC030-018	127
AC022-298	11	AC022-455	49, 51	AC030-019	122
AC022-302	11	AC022-463	11	AC030-024	132
AC022-304	41	AC022-464P	11, 41	AC030-026	127
AC022-308	77	AC022-472-S	7, 24	AC030-027	127
AC022-309-S	7, 24	AC022-473-S	40	AC030-028	127
AC022-310-S	7, 24	AC022-475-S	73	AC030-032	127
AC022-312-S	7	AC022-479-S	10	AC030-052	132
AC022-313	7, 9, 25, 85, 109	AC022-490-S	50	AC030-053	132
AC022-313-1	95, 96, 99, 101	AC022-708-S	9, 25	AC030-056	132
AC022-313-2	109	AC022-710	9	AC030-072	119
AC022-313-3	115	AC022-711	25, 51	AC030-073	122
AC022-314	40, 43	AC022-712-S	9, 25	AC030-075	119, 122, 127, 133, 136
AC022-316	73	AC022-717	9	AC030-076P	119
AC022-318	24	AC022-718	25	AC030-077P	122
AC022-320-S	40	AC022-719-S	9, 25	AC030-078	127
AC022-321-S	40	AC022-725	117	AC030-080	119
AC022-324	40, 43	AC022-739	75	AC030-081	122
AC022-325	49	AC022-739-S	77	AC030-082	127
AC022-326	73	AC022-743	115, 117	AC030-083	135
AC022-327P	11	AC022-743-2	109	AC030-087	135
AC022-331P	11	AC022-743-5	91, 95, 99, 101	AC030-088	135
AC022-332	41	AC022-744	75, 77, 91, 95, 109, 117	AC030-092	135
AC022-333	41			AC030-095	135
AC022-335-S	49	AC022-746	75, 77	AC030-103	135
AC022-337-S	49	AC022-746-1	91, 117	AC030-117	135
AC022-338-S	73	AC022-759	43	AC030-122P	122
AC022-339-S	73	AC022-760-S	43	AC030-127	135
AC022-342P	41	AC022-762-S	43	AC030-128	135
AC022-346-S	7, 25	AC022-772	50	AC030-129	135
AC022-347-S	24	AC022-772-S	51	AC030-147P	119
AC022-348-S	40, 43	AC030-003P	119	AC030-151P	122
AC022-349-S	49, 51	AC030-004P	119, 122	AC030-152P	119, 122
AC022-350-S	73, 75, 77	AC030-005	119, 122, 127, 132, 133, 135, 136	AC030-153P	119, 122
AC022-351-S	7			AC030-160P	119
AC022-353-S	40			AC030-217P	122
AC022-354-S	49	AC030-006	119, 122, 127, 132, 133, 136	AC030-231	128
AC022-390	73			AC030-232P	128
AC022-453	24	AC030-017	122	AC030-233P	128

PART NUMBER INDEX

PART NO.	PAGE NO.	PART NO.	PAGE NO.	PART NO.	PAGE NO.
AC030-234	120, 121, 123, 124, 128, 139, 143, 168, 173	AC033-143	123, 124	AC040-080	83
AC030-235	128	AC033-144	123, 124, 141	AC040-093	80
AC030-236	128	AC033-145	120, 121, 123, 124, 175	AC040-094	83
AC030-237	128	AC033-146	120, 121	AC040-095	81
AC030-240	128	AC033-147	123, 124	AC040-102	80
AC030-247	128	AC033-154	125	AC040-103	80, 81, 83, 85, 290
AC030-268	134	AC033-155	125	AC040-109	81
AC030-269	137	AC033-156	125	AC040-110	83
AC030-313	128	AC033-157	125	AC051-1110P	282
AC030-314	128	AC033-158	125	AC051-1111P	282
AC030-315	128	AC033-160	125	AC051-1112P	282
AC030-332	128	AC033-162	125	AC051-1114P	282
AC030-333P	128	AC033-163	125	AC051-1116P	282
AC030-334	128	AC033-164	125	AC051-1173	216
AC030-335	128	AC033-203P	139, 143	AC051-1176P	282
AC030-336	128	AC033-204P	139, 143	AC051-1285P	282
AC030-337	128	AC033-211P	139, 143	AC051-212	282
AC030-340	128	AC033-219	121	AC051-409	282
AC031-005	133	AC033-220	124	AC051-586	281
AC031-016	133, 136	AC033-135	123, 124	AC051-886P	282
AC031-018	133	AC033-136	120, 121	AC053-002	177
AC031-019	133	AC040-013	81	AC053-003	177
AC031-020	133, 136	AC040-014	80, 81	AC053-010	177
AC031-021	133, 136	AC040-015	80, 81	AC053-011P	282
AC031-029	133, 136	AC040-023	80, 81	AC053-024	177
AC031-043	136	AC040-024	80	AC053-062P	282
AC031-046	136	AC040-041	83	AC053-098P	282
AC031-048	136	AC040-045	83	AC053-232	177
AC033-115P	139	AC040-046	83	AC053-382	177
AC033-119S	120	AC040-047	83	AC053-420	177
AC033-120S	123	AC040-049	83	AC053-450P	282
AC033-127	123	AC040-050	83	AC060-133	186
AC033-128	120	AC040-055	83	AC060-134	186
AC033-133P	123, 124	AC040-055P	85	AC060-176	186
AC033-134P	120, 121	AC040-074	80, 81, 85, 89, 91, 232	AC060-208	237
AC033-136P	119	AC040-075	80, 232	AC061-092	184, 185, 186
AC033-142	120, 121	AC040-076	81, 83, 290	AC061-169	186
				AC061-180P	185, 186
				AC061-181	186

PART NUMBER INDEX

PART NO.	PAGE NO.	PART NO.	PAGE NO.	PART NO.	PAGE NO.
AC061-183	184, 185, 186	AC101-311	291	AC201-106	226, 239, 245,
AC061-184	184, 185, 186	AC101-312	120, 121, 123,		246, 247, 251,
AC061-185	185		124, 291		264, 273
AC061-189P	185	AC101-400	81, 290	AC201-107	226, 239, 240,
AC061-198	237	AC101-401	290		244, 248, 249,
AC061-205	186	AC101-402	80, 81, 83, 85		261, 263, 267,
AC061-215	186	AC101-403	290		268, 274, 276,
AC061-283	181	AC101-404	290		278
AC063-021	184, 185, 186	AC101-405	290	AC201-108	237
AC063-022	184, 185, 186	AC101-406	290	AC201-109	178, 182, 226
AC063-023	184, 185	AC101-407	290	AC201-110	226
AC063-024	184, 185	AC101-408	290	AC201-112	226, 239, 240,
AC063-032	237	AC101-412	290		241, 242, 243,
AC063-073	184, 185	AC101-415	290		244, 245, 246,
AC063-074	184	AC101-422	78		248, 249, 251,
AC063-087P	184, 185	AC101-425	290		252, 261, 263,
AC063-088P	184, 185	AC101-426	290		264, 267, 268,
AC101-100	1, 2, 4, 22, 23,	AC101-427	290		270, 272, 273,
	36, 37, 47, 62,	AC101-428	290		274, 276, 278,
	64, 65, 71, 72,	AC101-429	290		280
	290	AC101-430	290	AC201-113	180, 226
AC101-101	290	AC101-441	290	AC201-114	223
AC101-102	290	AC201--305	87	AC201-115	223
AC101-103	290	AC201-100	132, 178, 180,	AC201-116	223
AC101-108	89, 290		182, 226, 238,	AC201-119	226
AC101-200	119, 121, 122,		241, 242, 243	AC201-121	226
	124, 132, 135,	AC201-101	178, 180, 182,	AC201-122	226
	291		226	AC201-126	128, 223
AC101-202	120, 123, 291	AC201-102	178, 180, 182,	AC201-155	280
AC101-203	131, 291		226	AC201-202	178
AC101-301	291	AC201-103	223	AC201-301	225
AC101-302	291	AC201-104	223	AC201-302	178, 180, 182,
AC101-303	119, 122, 132,	AC201-105	88, 226, 239,		225, 237
	135, 291		244, 245, 246,	AC201-303	182, 225, 237
AC101-304	291		247, 264, 272,	AC201-304	87, 225, 237
AC101-305	291		273, 274, 276,	AC201-305	81, 225, 234,
AC101-306	291		278, 280		237
AC101-307	291	AC201-105-1	244, 274, 276,	AC201-306	225
AC101-310	134, 291		278, 280	AC201-308	225
				AC201-310	225

PART NUMBER INDEX

PART NO.	PAGE NO.	PART NO.	PAGE NO.	PART NO.	PAGE NO.
AC201-315	225	AC201-602	227	AC201-901	229, 240, 241,
AC201-400	119, 122, 127, 132, 133, 135, 136, 227	AC201-603	227		242, 243, 244,
AC201-401	227	AC201-604	227		245, 246, 247,
AC201-402	227	AC201-605	178, 227		248, 249, 251,
AC201-403	178, 180, 182, 227	AC201-606	227		252, 253, 255,
AC201-404	119, 122, 127, 132, 133, 135, 136, 227	AC201-607	237		257, 259, 261,
AC201-408	227	AC201-608	237		262, 264, 265,
AC201-409	227	AC201-609	65, 227		267, 268, 269,
AC201-410	227	AC201-610	227		270, 271, 272,
AC201-412	13, 17, 27, 31, 45, 53, 57, 91, 95, 99, 101, 109, 115, 120, 121, 123, 124, 139, 227	AC201-611	227		273, 274, 275,
AC201-413	227	AC201-615	70, 129		276, 277, 278,
AC201-414	120, 121, 123, 124, 139, 168, 173, 227	AC201-616	227		280
AC201-500	13, 17, 36, 227, 234, 235, 237	AC201-623	227	AC201-902	229, 234
AC201-501	1, 4, 7, 9, 24, 25, 36, 37, 40, 43, 47, 49, 51, 67, 72, 73, 75, 77, 79, 80, 81, 227	AC201-634	255, 257, 259	AC201-903	178, 182
AC201-508	255, 257, 259	AC201-700	178, 180, 182, 228	AC201-904	62, 71, 229
AC201-514	255, 257, 259	AC201-701	178, 180, 182, 228	AC201-905	122, 127, 132, 133, 135, 136, 229
AC201-600	1, 115, 178, 180, 182, 227, 240, 243, 246, 249, 251, 272, 273	AC201-702	178, 182, 228	AC201-910	229
AC201-601	178, 181, 227, 237	AC201-703	178, 228	AC201-912	237
		AC201-706	178, 180, 228	AC201-918	237
		AC201-707	182, 228	AC201-921	229
		AC201-708	228	AC201-922	239, 240, 246, 247, 249, 251, 261, 262, 267, 268, 280
		AC201-709	180, 228	AC201-923	239
		AC201-800	1, 36, 64, 178, 182, 224	AC201-924	239
		AC201-801	224	AC201-925	178, 180, 182
		AC201-803	1, 36, 64, 224	AC201-926	239
		AC201-804	224	AC201-927	242
		AC201-805	182, 224	AC201-928	229
		AC201-806	1, 22, 62, 64, 71, 178, 180, 182, 248, 252	AC201-930	229
		AC201-807	1, 22, 62, 64, 71		
		AC201-812	224		

PART NUMBER INDEX

PART NO.	PAGE NO.	PART NO.	PAGE NO.	PART NO.	PAGE NO.
AC201-931	229, 240, 241, 242, 243, 244, 245, 246, 247, 248, 249, 251, 252, 253, 255, 257, 259, 261, 262, 263, 264, 265, 267, 268, 269, 270, 271, 272, 273, 274, 275, 276, 277, 278, 280	AC301-206	283	AC301-408	196
		AC301-208	180, 283	AC301-409	196
		AC301-209	178, 180, 182, 283	AC301-410	196
		AC301-210	180, 283	AC301-411	196
		AC301-211	178, 283	AC301-412	196
		AC301-214	180, 283	AC301-413	196
		AC301-215	178, 180, 182, 283	AC301-414	196
		AC301-216	283	AC301-415	196
		AC301-217	283	AC301-417	195
		AC301-218	182, 283	AC301-418	194
AC201-946	229, 257, 259	AC301-219	283	AC301-419	194, 204
AC202-207	169, 174	AC301-220	178, 283	AC301-420	195
AC202-300	83, 229, 234, 235, 237	AC301-221	283	AC301-421	195
AC202-301	83, 178, 180, 182, 229, 234, 235	AC301-222	283	AC301-422	195
		AC301-223	283	AC301-423	195
		AC301-224	283	AC301-424	195
		AC301-227	283	AC301-425	195
AC202-302	87, 229	AC301-228	283	AC301-426	195
AC202-303	80, 229, 234, 235, 237	AC301-229	283	AC301-427	195
		AC301-230	283	AC301-428	195
AC202-304	81, 87, 229	AC301-231	283	AC301-429	196
AC202-305	229, 234, 237	AC301-233	283	AC301-430	196
AC202-306	229	AC301-235	283	AC301-431	195
AC202-307	87, 229, 234, 235	AC301-238	283	AC301-432	196
		AC301-239	283	AC301-433	194
AC202-501	257, 259	AC301-240	88, 283	AC301-434	196
AC301-100F50	206	AC301-241	283	AC301-435	195
AC301-101F50	206	AC301-242	283	AC301-436	193
AC301-102F50	206	AC301-243	283	AC301-437	196
AC301-103F50	206	AC301-400	195	AC301-438	195
AC301-104	206	AC301-401	195	AC301-439	192
AC301-200	180, 283	AC301-402	195	AC301-440	192
AC301-201	178, 180, 283	AC301-403	195	AC301-441	120, 121, 123, 124, 192
AC301-202	283	AC301-404	195	AC301-442	193
AC301-204	283	AC301-405	195	AC301-444	196
AC301-205	2, 5, 11, 41, 80, 283	AC301-406	195	AC301-445	196
		AC301-407	195	AC301-446	196
				AC301-447	194, 205
				AC301-448	196

PART NUMBER INDEX

PART NO.	PAGE NO.	PART NO.	PAGE NO.	PART NO.	PAGE NO.
AC301-449	189	AC301-493	188	AC302-427	188
AC301-450	196	AC301-494	192	AC302-429	189
AC301-451	196	AC301-495	192	AC302-430	189
AC301-452	132, 192	AC301-496	195	AC302-431	189
AC301-453	192	AC301-497	194	AC302-432	204
AC301-455	196	AC301-498	195	AC302-433	189
AC301-456	195	AC301-499	195	AC302-434	192
AC301-457	193	AC301-601	119, 122, 127, 132	AC302-435	189
AC301-458	193			AC302-436	196, 204, 205
AC301-459	192	AC301-610	83	AC302-437	196, 204, 205
AC301-460	192	AC301-682	70, 134, 137	AC302-440	194
AC301-461	195	AC301-698	121, 124	AC302-441	194
AC301-462	194	AC301-807	80, 81	AC302-442	188
AC301-463	194	AC301-808	83	AC302-443	188, 192
AC301-464	194	AC301-817	216	AC302-444	188
AC301-465	195	AC301-900	292	AC302-450	192
AC301-466	195	AC301-901	292	AC302-451	192
AC301-467	195	AC301-902	292	AC302-452	189
AC301-468	192	AC301-903	292	AC302-453	193
AC301-469	195	AC301-904	292	AC302-454	193
AC301-470	189	AC301-905	292	AC302-456	188
AC301-470A	189	AC301-907	292	AC302-457	189
AC301-471	196	AC301-908	292	AC302-458	194
AC301-472	196	AC301-908-5	292	AC302-459	194, 205
AC301-473	194	AC302-305	235	AC302-460	188
AC301-474	196	AC302-400	192	AC302-461	188
AC301-475	193	AC302-401	192	AC302-462	188
AC301-476	196	AC302-402	189	AC302-464	189
AC301-481	196	AC302-403	188	AC302-465	194
AC301-482	194	AC302-404	188	AC302-466	193
AC301-483	194	AC302-406	188	AC302-467	193
AC301-484	194	AC302-409	188	AC302-468	188
AC301-485	196	AC302-410	188	AC302-469	188
AC301-487	193	AC302-420	188	AC302-470	188
AC301-488	190	AC302-421	196	AC302-471	193
AC301-489	196	AC302-423	188	AC302-472	193
AC301-490	189	AC302-424	193	AC302-473	189
AC301-491	189	AC302-425	193	AC302-474	189
AC301-492	188	AC302-426	194	AC302-475	195
				AC302-476	193

PART NUMBER INDEX

PART NO.	PAGE NO.	PART NO.	PAGE NO.	PART NO.	PAGE NO.
AC302-481	189	AC401-210A	4, 23, 37, 47, 65, 232	AC401-322	289
AC302-482	189			AC401-323	289
AC302-483	189	AC401-214	232	AC501-102A	119, 122, 127, 132, 133, 135, 136, 230
AC302-484	195	AC401-215	70, 78, 79, 232		
AC302-486	193	AC401-216	232	AC501-103A	119, 122, 127, 132, 133, 136, 230
AC302-494	189, 204	AC401-217	70, 78, 79, 232		
AC302-495	189, 204	AC401-218	232	AC501-122	70, 78, 79, 230
AC302-496	189	AC401-219	232	AC501-123	134, 137, 230
AC302-498	190	AC401-220	78, 79, 232	AC501-201A	217
AC302-499	190	AC401-221	7, 24, 49, 232	AC501-206	214
AC303-403	193	AC401-222	7, 24, 49, 232	AC501-207	214
AC303-405	188	AC401-228	232	AC501-209	217
AC303-415	188	AC401-229	73, 232	AC501-212	214
AC401-100	119, 122, 127, 132, 133, 135, 136, 230	AC401-232	9, 25, 40, 43, 51, 69, 233	AC501-215A	214
		AC401-233	9, 25, 40, 43, 51, 69, 233	AC501-216A	214
AC401-102	178, 180, 182, 230	AC401-300	289	AC501-217A	216
		AC401-301	3, 39, 288, 289	AC501-218	216
AC401-110	120, 121, 123, 124, 139, 168, 173, 230	AC401-302	71, 72, 81, 289	AC501-218A	216
		AC401-305	2, 5, 11, 41, 80	AC501-219	216
AC401-112	134, 137, 230	AC401-306	2, 5, 11, 41, 80, 289	AC501-220	216
AC401-20	23			AC501-221	216
AC401-200A	1, 22, 36, 62, 64, 232	AC401-307	2, 5, 11, 41, 80, 289	AC501-222	216
				AC501-223A	214
AC401-201A	22, 36, 62, 64, 232	AC401-308	2, 3, 4, 5, 6, 10, 23, 37, 38, 47, 48, 50, 83, 289	AC501-224A	214
				AC501-225A	214
AC401-202	83, 95, 99, 101, 232, 233	AC401-309	289	AC501-226A	214
		AC401-310	289	AC501-229A	214
AC401-203	71, 72, 73, 75, 77, 109, 117, 233	AC401-312	289	AC501-230A	214
		AC401-313	289	AC501-232	214
AC401-204	71, 72, 75, 77, 232	AC401-314	38, 289	AC501-233A	217
		AC401-315	289	AC501-234	214
AC401-209	4, 37, 47, 65	AC401-320	7, 9, 11, 24, 25, 40, 41, 43, 49, 51, 73, 75, 77, 103, 109, 115, 289	AC501-235	218
AC401-209A	4, 23, 37, 47, 65, 232			AC501-236	214
				AC501-238	216
AC401-210	23, 37, 47, 65			AC501-239	214
				AC501-240A	216
				AC501-241	217
				AC501-242	217

PART NUMBER INDEX

PART NO.	PAGE NO.	PART NO.	PAGE NO.	PART NO.	PAGE NO.
AC501-244A	217	AC501-291	215	AC502-212	218
AC501-246	214	AC501-292	215	AC502-213A	216
AC501-247	214	AC501-298A	214	AC502-215A	215
AC501-248A	214	AC501-305	178, 180, 182	AC502-216	217
AC501-249A	214	AC501-308	183	AC502-217A	216
AC501-252A	214	AC501-310	179, 180, 183	AC502-220	215
AC501-253	216	AC501-314	179, 180, 183	AC54AB102	257, 259
AC501-254A	217	AC501-315	179, 181, 183	AC601-100	179
AC501-256	214	AC501-317	177	AC601-301	282
AC501-257	214	AC501-318	186	AC601-306	177
AC501-259A	214	AC501-320	184, 185, 186	AC601-315	282
AC501-260A	215	AC501-321	181, 183	AC601-318	181, 183
AC501-260B	215	AC501-323	179, 180	AC601-319	179, 181, 183
AC501-261	214	AC501-325	179	AC601-321	179
AC501-262A	214	AC501-326	181, 183	AC601-324	177, 179
AC501-263A	214	AC501-328	179	AC601-327	282
AC501-264A	217	AC501-330	179, 181, 183	AC601-328	282
AC501-266	177	AC501-332	179	AC601-330	179
AC501-266A	215	AC501-334	181	AC601-332	177
AC501-267	177	AC501-335	181	AC601-333	177
AC501-267A	215	AC501-400	181	AC601-334	177
AC501-268A	215	AC501-401	177, 181	AC601-335	177
AC501-269	214	AC501-403	177, 179, 183	AC601-336	282
AC501-270A	215	AC501-404	183	AC601-338	282
AC501-271A	177, 178, 180, 182, 215	AC501-405	177, 179, 183	AC601-340	177
AC501-272A	215	AC501-406	179	AC601-341	177
AC501-273A	215	AC501-407	177, 179, 183	AC601-342	282
AC501-275A	215	AC501-409	177	AC601-348	177
AC501-277A	216	AC501-411	179, 183	AC601-423	179
AC501-277B	216	AC501-413	179	AC601-429	177, 181, 183
AC501-279A	216	AC501-439	177	AC601-447	183
AC501-282A	214	AC501-500	179, 181, 183	AC601-473	179
AC501-283	214	AC501-280A	214	AC601-477	179
AC501-284	214	AC502-203	217	AC601-500	179, 181, 183, 281
AC501-285	214	AC502-204	217	AC601-501	281
AC501-286	214	AC502-205A	216	AC601-508	281
AC501-289A	214	AC502-208A	215	AC601-518	281
AC501-289B	214	AC502-209A	215	AC601-519	281
		AC502-210	215	AC601-520	281

PART NUMBER INDEX

PART NO.	PAGE NO.	PART NO.	PAGE NO.	PART NO.	PAGE NO.
AC601-523	281	AC701-123	12, 15, 16, 21,	AC701-245	292
AC601-524	281		26, 27, 29, 30,	AC701-246	292
AC601-528	281		31, 35, 40, 43,	AC701-247	293
AC601-534	281		45, 49, 50, 51,	AC701-248	134, 137, 293
AC601-535	281		53, 55, 57, 61,	AC701-251	293
AC601-538	281		67, 75, 77	AC701-252	293
AC601-539	281	AC701-201	292	AC701-253	293
AC601-540	281	AC701-205	293	AC701-254	293
AC601-541	281	AC701-206	234, 235, 237,	AC701-263	292
AC601-542	281		293	AC701-269	120, 121, 123,
AC601-545	281	AC701-207	293		124, 139, 165,
AC601-547	188, 281	AC701-208	119, 122, 132,		170, 293
AC601-548	281		293	AC701-274	293
AC601-602	20, 34, 60, 67,	AC701-210	293	AC701-300	226, 229, 255,
	77	AC701-211	293		257, 259, 275,
AC601-609	130	AC701-212	184, 185, 186,		277, 279
AC601-615	131		293	AC701-301	229
AC601-616	21, 35, 61, 67,	AC701-213	206	AC701-303	101, 229, 275,
	77	AC701-214	206		277, 279
AC601-618	131	AC701-215	206	AC701-400	14, 18, 28, 32,
AC602-406	181	AC701-216	206		45, 54, 59, 118,
AC602-412	177	AC701-221	292		139, 143
AC602-430	183	AC701-222	292	AC701-401	13, 17, 27, 31,
AC602-432	177	AC701-223	292		46, 53, 57, 77,
AC602-469	177	AC701-224	292		95, 99, 101,
AC701-100	63	AC701-226	292		108, 114, 117,
AC701-101	27, 53, 57, 91	AC701-227	292		139, 141, 143,
AC701-103	285	AC701-228	255, 257, 259		285
AC701-105	119, 122, 127,	AC701-229	293	AC701-403	14, 15, 18, 20,
	132, 133, 136	AC701-230	292		28, 29, 32, 34,
AC701-106	63, 67, 119, 122,	AC701-231	135, 293		45, 54, 55, 59,
	127, 133, 136	AC701-233	72, 292		60, 93, 118, 287
AC701-107	37, 47, 62, 64,	AC701-234	293	AC701-404	77
	72	AC701-235	293	AC701-502	81, 87
		AC701-237	293	AC701-503	184, 185, 186
		AC701-240	293	AC801-201	85, 203
		AC701-241	293		
		AC701-242	137, 293		
		AC701-243	130, 293		
		AC701-244	134, 137, 293		

PART NUMBER INDEX

PART NO.	PAGE NO.	PART NO.	PAGE NO.	PART NO.	PAGE NO.
AC801-202	13, 17, 23, 24, 25, 27, 31, 37, 40, 43, 45, 47, 49, 51, 53, 57, 62, 64, 65, 67, 71, 72, 73, 75, 77, 80, 81, 83, 85, 91, 95, 99, 101, 109, 115, 117, 121, 124, 127, 133, 135, 136, 139, 143, 165, 170, 203, 204	AC801-405	1, 4, 9, 22, 23	AC801-531	9, 15, 21, 29, 35, 45, 50, 55, 61, 67, 73, 75, 77, 109, 115, 287
AC801-203	85, 203, 204	AC801-412	39, 88, 119, 120, 121, 122, 123, 124, 127, 133, 136	AC801-532	9, 15, 21, 29, 35, 45, 50, 55, 61, 67, 73, 75, 77, 287
AC801-207	203	AC801-414	11, 43, 49, 51, 91, 95, 99, 101, 102, 103, 104, 105, 107, 109, 115, 117, 155, 159	AC801-601	179, 181, 183
AC801-217	203	AC801-415	3, 4, 6, 7, 9, 10, 15, 21, 23, 24, 25, 29, 34, 37, 39, 40, 43, 45, 47, 48, 49, 50, 51, 54, 55, 59, 60, 71, 72, 73, 75, 77, 165, 170, 219	AC801-602	133, 136
AC801-220	120, 121, 123, 124	AC801-416	67, 91, 115, 117	AC901-502	81
AC801-221	120, 123	AC801-419	72	AC901-513	241, 242, 243, 244, 245, 252, 264, 270, 272, 273, 274, 276, 278, 279
AC801-222	203, 204	AC801-440	47	AC901-514	246, 247, 249, 251, 261, 267, 268, 270
AC801-300	85, 91, 135	AC801-443	70, 78, 79	AC901-517	244, 265, 279
AC801-305	63, 119, 122, 127, 133, 136	AC801-451	7, 24, 25	AC901-535	131
AC801-306	135	AC801-452	40	AMI1SS3	291
AC801-307	63, 67, 119, 122, 127, 133, 136	AC801-453	49	C	
AC801-308	83	AC801-454	73	CM205-004R0	83, 89
AC801-309	288	AC801-461	75, 77	CM205-004RO	85, 232
AC801-310	288	AC801-462	51	CM205-197	120, 121, 123, 124, 230
AC801-342	167, 172	AC801-511	237	D	
AC801-400	11	AC801-513	135	DD19CA061	108, 115, 290
AC801-401	288	AC801-529	9, 15, 21, 29, 35, 45, 55, 61, 67, 77, 109, 115, 287	DE07DA608	134, 137
AC801-403	39, 40, 49, 51, 73, 75, 77, 93, 118	AC801-530	50, 67, 73, 75, 77	DE07DA612	70
AC801-404	1, 22, 36, 63				
AC401-201	1				

PART NUMBER INDEX

PART NO.	PAGE NO.	PART NO.	PAGE NO.	PART NO.	PAGE NO.
E		K		R	
EN07AA284	144				
EP32UZ232	290	KM43AG301	137, 291	RDT-38-16-6-Z	41

Carrier Transport Air Conditioning
50 Grumbacher Road
York PA 17402 USA
Tel: 1-800-673-2431
Fax: 1-717-764-0401



Carrier

A United Technologies Company
Carrier Transicold Division,
Carrier Corporation
Transport Air Conditioning Group
P.O. Box 4805
Syracuse, N.Y. 13221 U.S.A

www.carrier.transicold.com



A member of the United Technologies Corporation family. Stock symbol UTX
©2007 Carrier Corporation • Printed in U. S. A. 0607